



US00D706885S

(12) **United States Design Patent**
North et al.

(10) **Patent No.:** **US D706,885 S**

(45) **Date of Patent:** **** Jun. 10, 2014**

(54) **CHANNEL FOR A GOLF CLUB HEAD**

(56) **References Cited**

(71) Applicants: **Ray North**, Pittsburgh, PA (US); **David Michaels**, Coraopolis, PA (US); **Ben Lavallee**, McDonald, PA (US); **Benjamin S. Lindsey**, Pittsburgh, PA (US); **Britt Lindsey**, Newark, OH (US); **Pete Calloway**, Thornville, OH (US); **Brian Betts**, Newark, OH (US)

U.S. PATENT DOCUMENTS

D285,473	S	*	9/1986	Flood	D21/733
D366,682	S	*	1/1996	Antonious	D21/752
D381,726	S		7/1997	Sugo		
6,354,961	B1		3/2002	Allen		
D501,903	S	*	2/2005	Tanaka	D21/752
D628,257	S	*	11/2010	Albertsen et al.	D21/759
D630,278	S	*	1/2011	Albertsen et al.	D21/759
D630,696	S	*	1/2011	Albertsen et al.	D21/759
D631,119	S	*	1/2011	Albertsen et al.	D21/759
7,896,753	B2	*	3/2011	Boyd et al.	473/226
D655,363	S		3/2012	Vrska		
2002/0183134	A1	*	12/2002	Allen et al.	473/329

(72) Inventors: **Ray North**, Pittsburgh, PA (US); **David Michaels**, Coraopolis, PA (US); **Ben Lavallee**, McDonald, PA (US); **Benjamin S. Lindsey**, Pittsburgh, PA (US); **Britt Lindsey**, Newark, OH (US); **Pete Calloway**, Thornville, OH (US); **Brian Betts**, Newark, OH (US)

* cited by examiner

Primary Examiner — Mitchell Siegel
(74) *Attorney, Agent, or Firm* — Greenberg Traurig, LLP

(73) Assignee: **Dick's Sporting Goods, Inc.**,
Coraopolis, PA (US)

(57) **CLAIM**
What is claimed is the ornamental design for a channel for a golf club head, as shown and described.

(**) Term: **14 Years**

DESCRIPTION

(21) Appl. No.: **29/449,890**

FIG. 1 is a top front perspective view of a channel for a golf club head showing the new design;
FIG. 2 is a top plan view thereof;
FIG. 3 is a bottom plan view thereof;
FIG. 4 is a left side elevational view thereof;
FIG. 5 is a right side elevational view thereof;
FIG. 6 is a rear side elevational view thereof; and,
FIG. 7 is a front side elevational view thereof.

(22) Filed: **Mar. 15, 2013**

(51) **LOC (10) Cl.** **21-02**

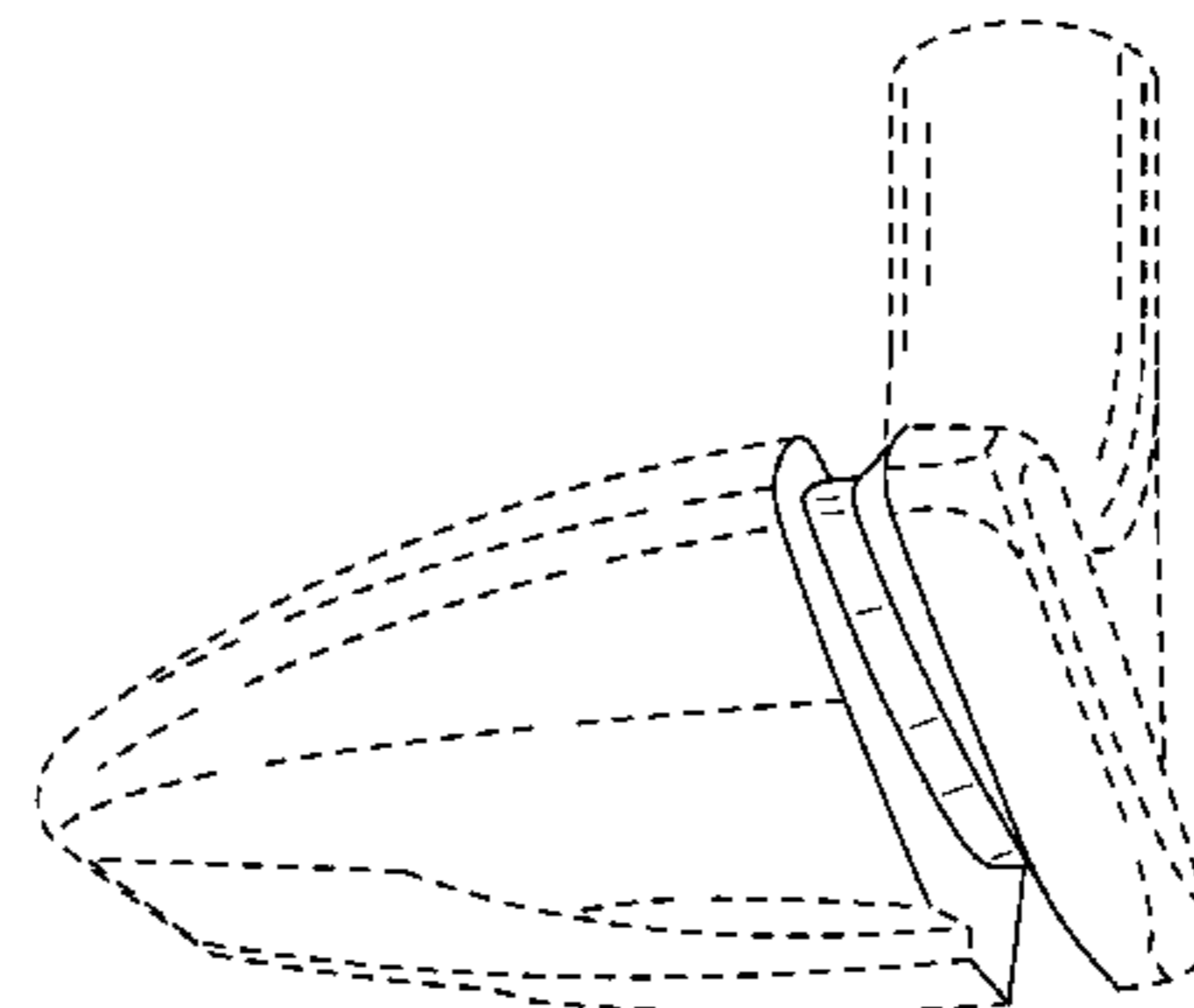
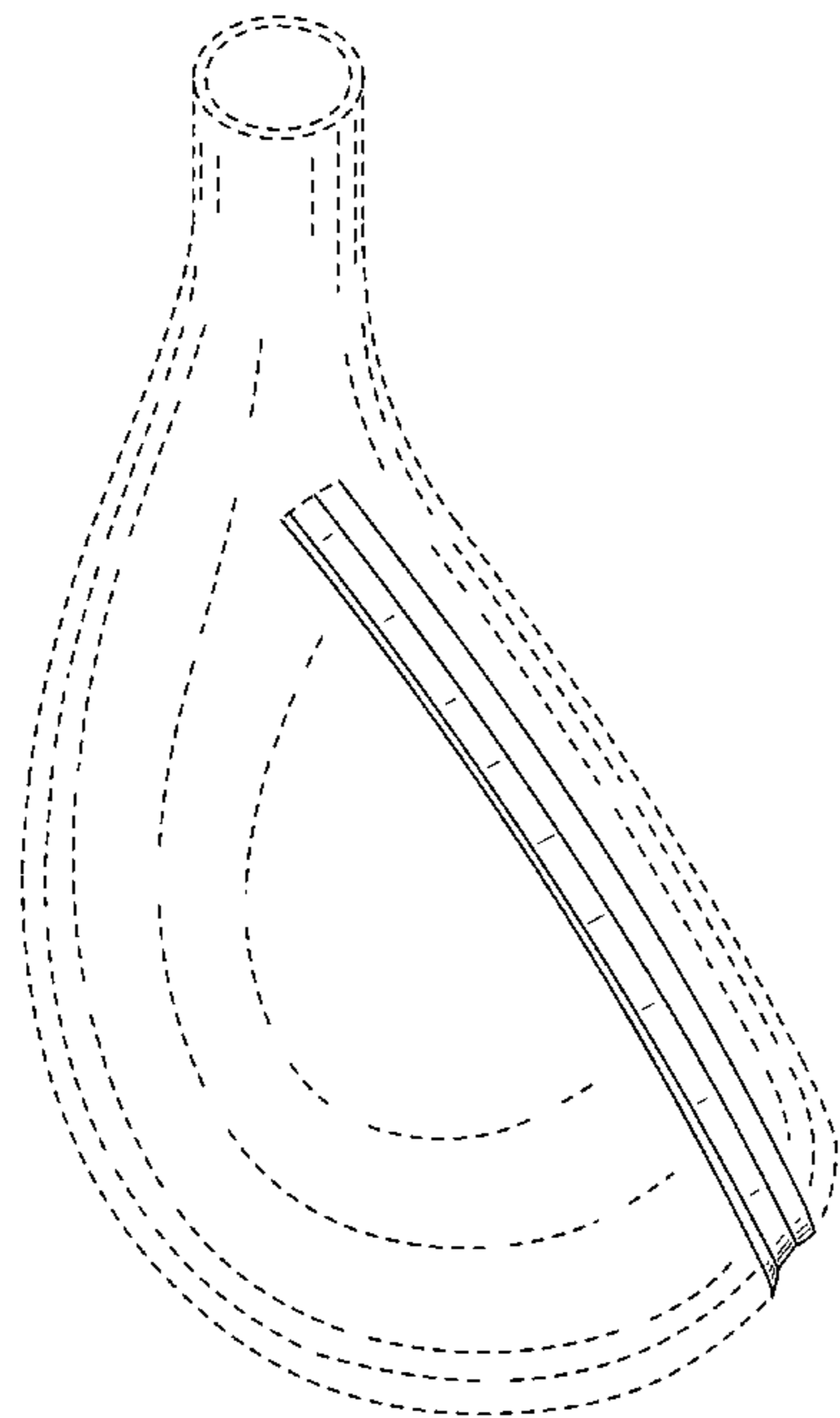
(52) **U.S. Cl.**
USPC **D21/759**

(58) **Field of Classification Search**
USPC D21/733–752, 759; 473/324–331,
473/340–346, 350

Any elements shown in dotted and/or dashed lines are provided for illustrative purposes only and form no part of the design claimed. Any surface shading is used solely to show the character or contour of the surfaces represented.

See application file for complete search history.

1 Claim, 4 Drawing Sheets



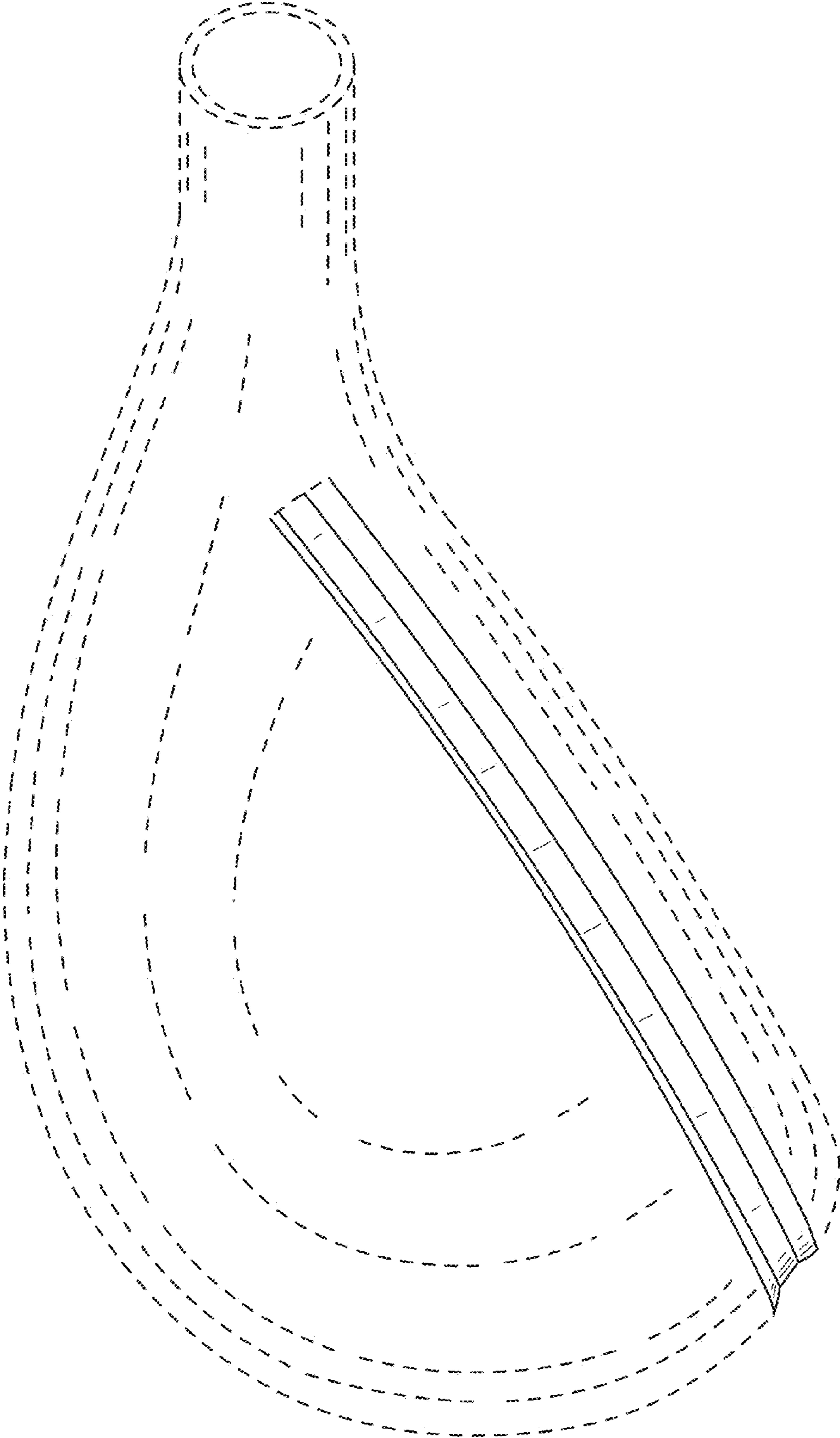


FIG. 1

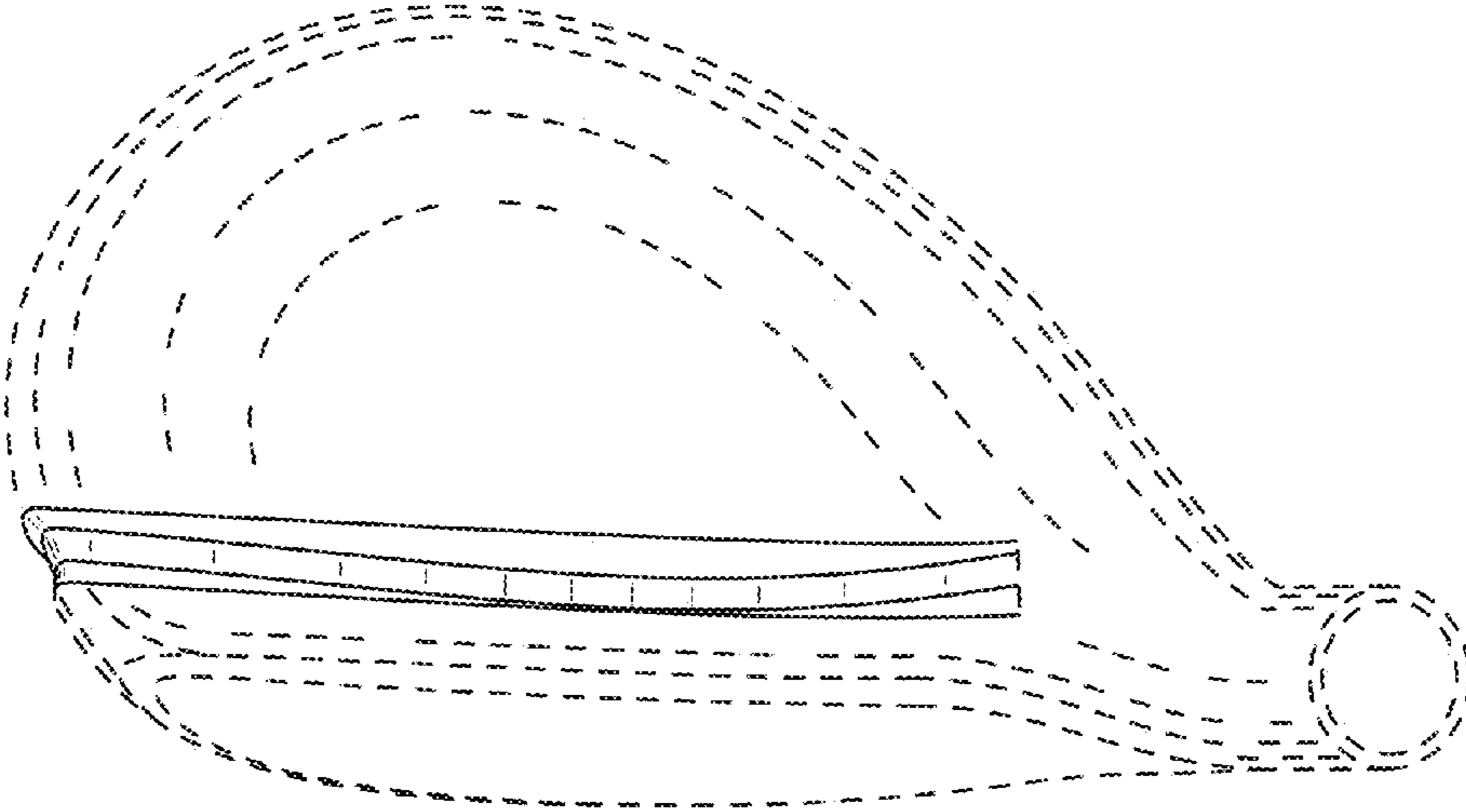


FIG. 2

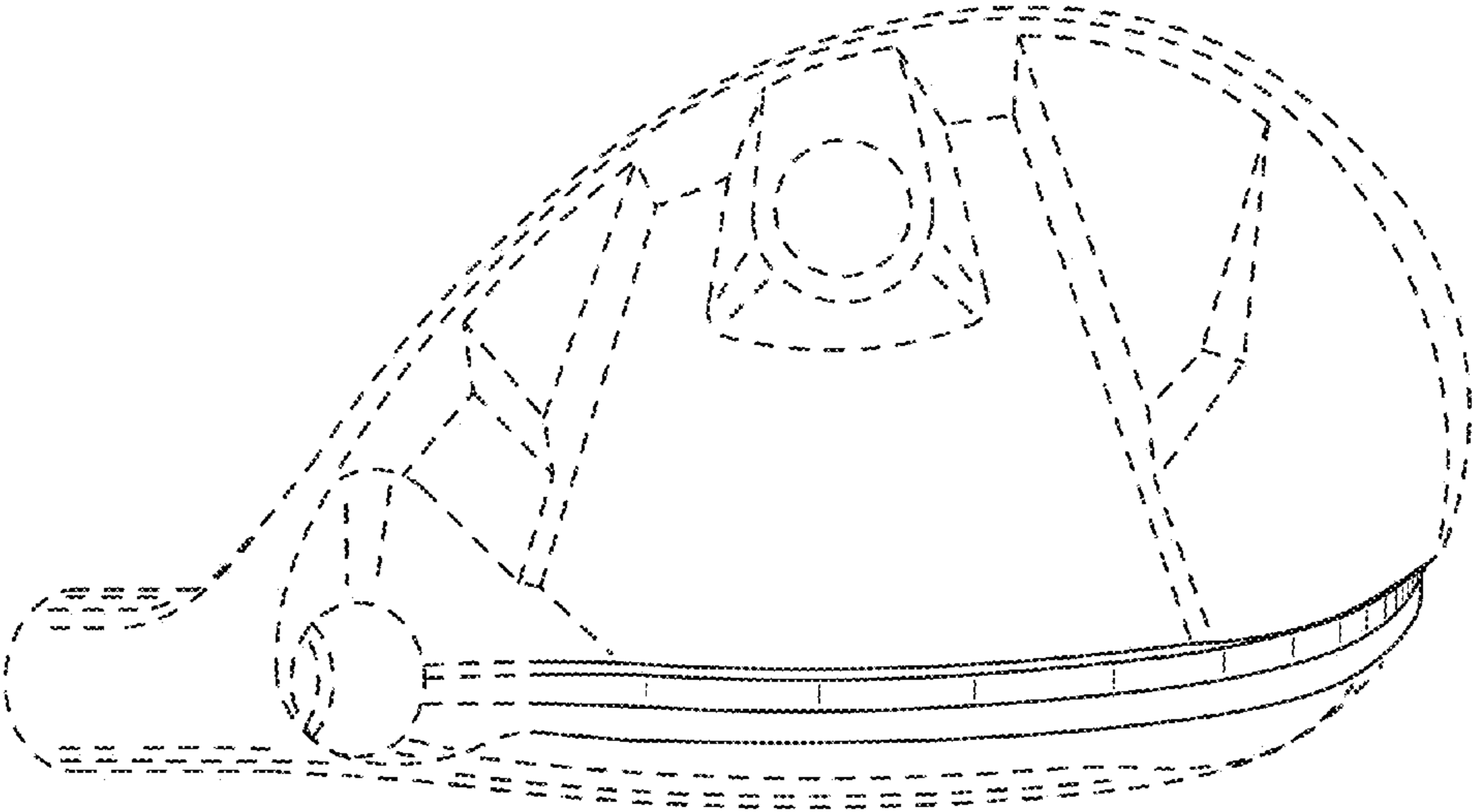


FIG. 3

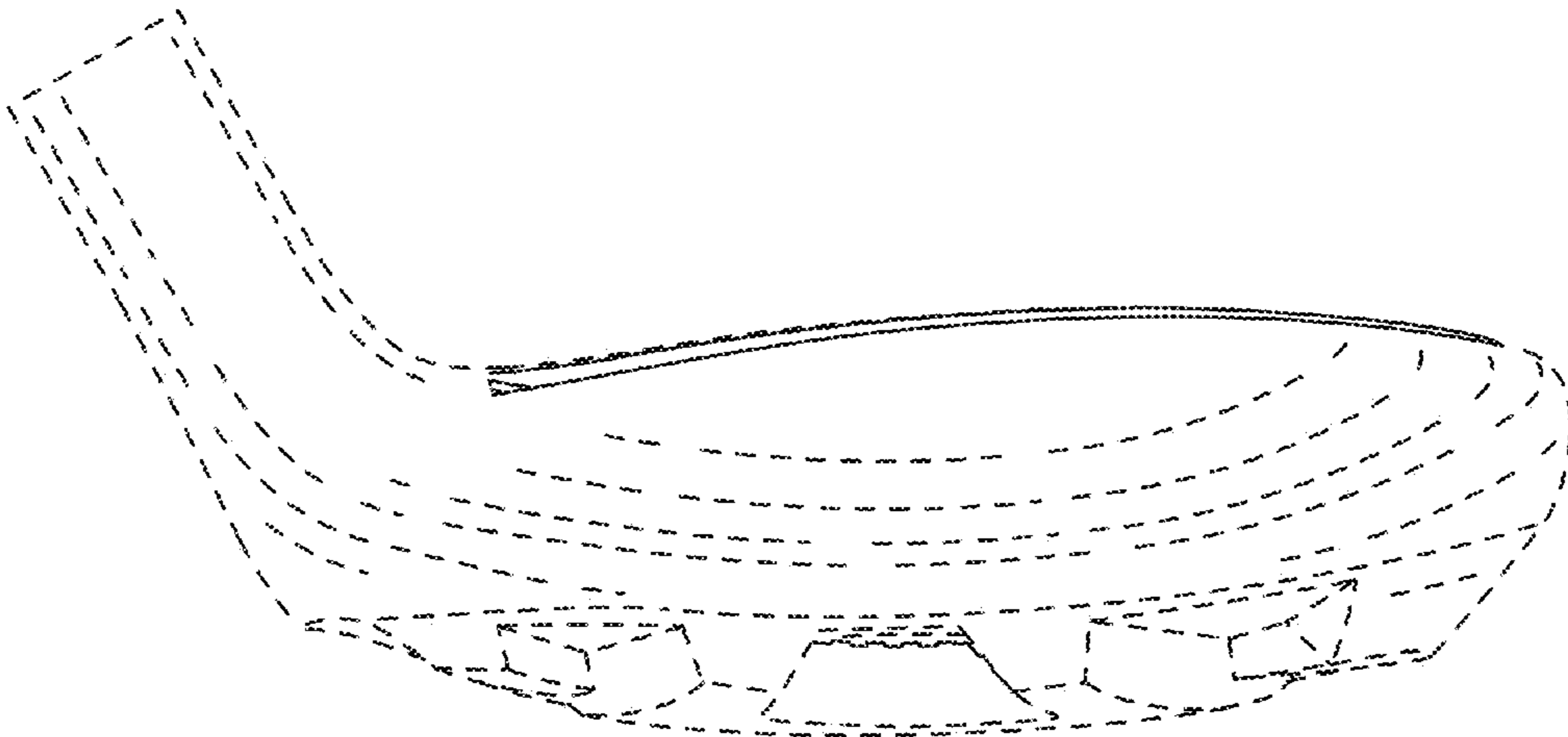


FIG. 4

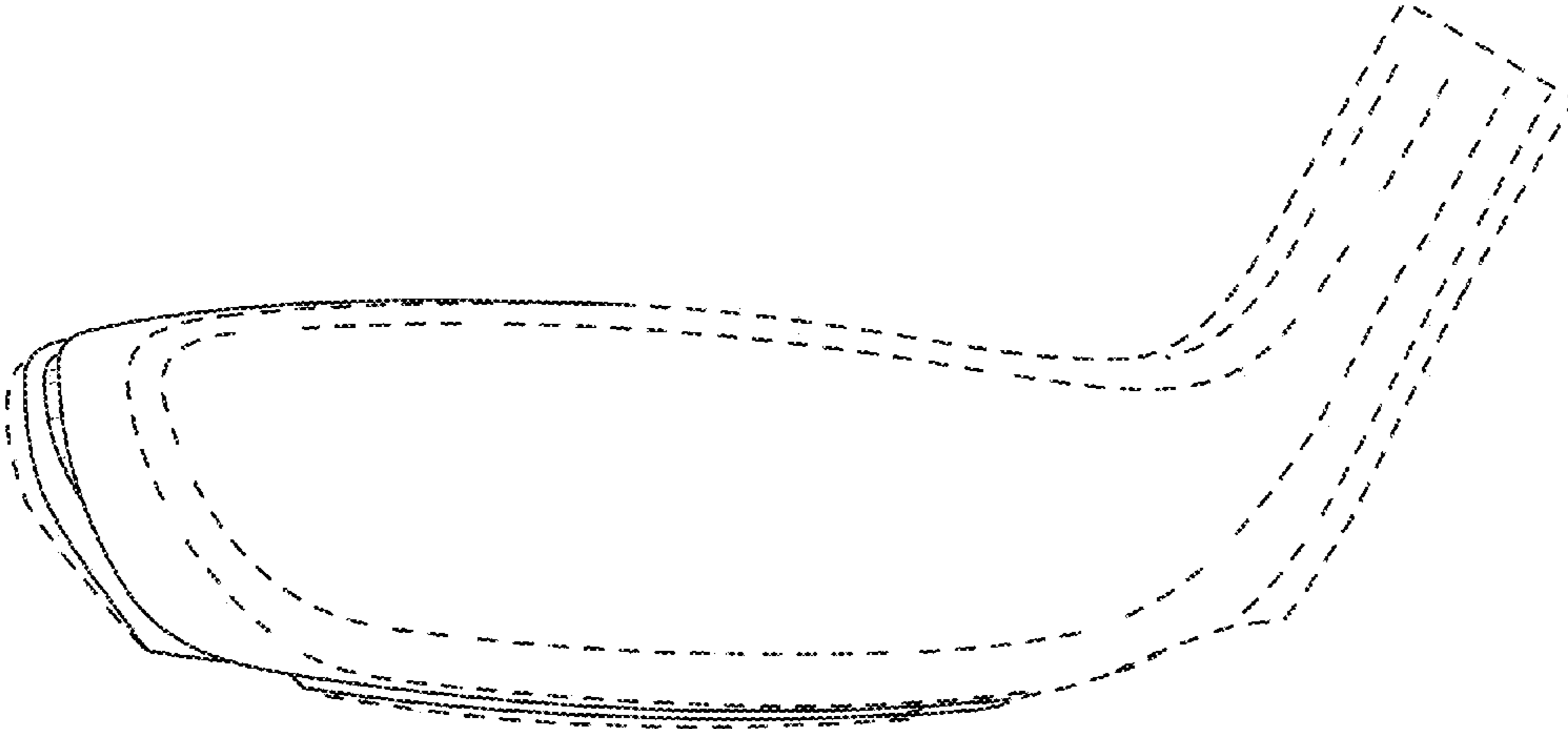


FIG. 5

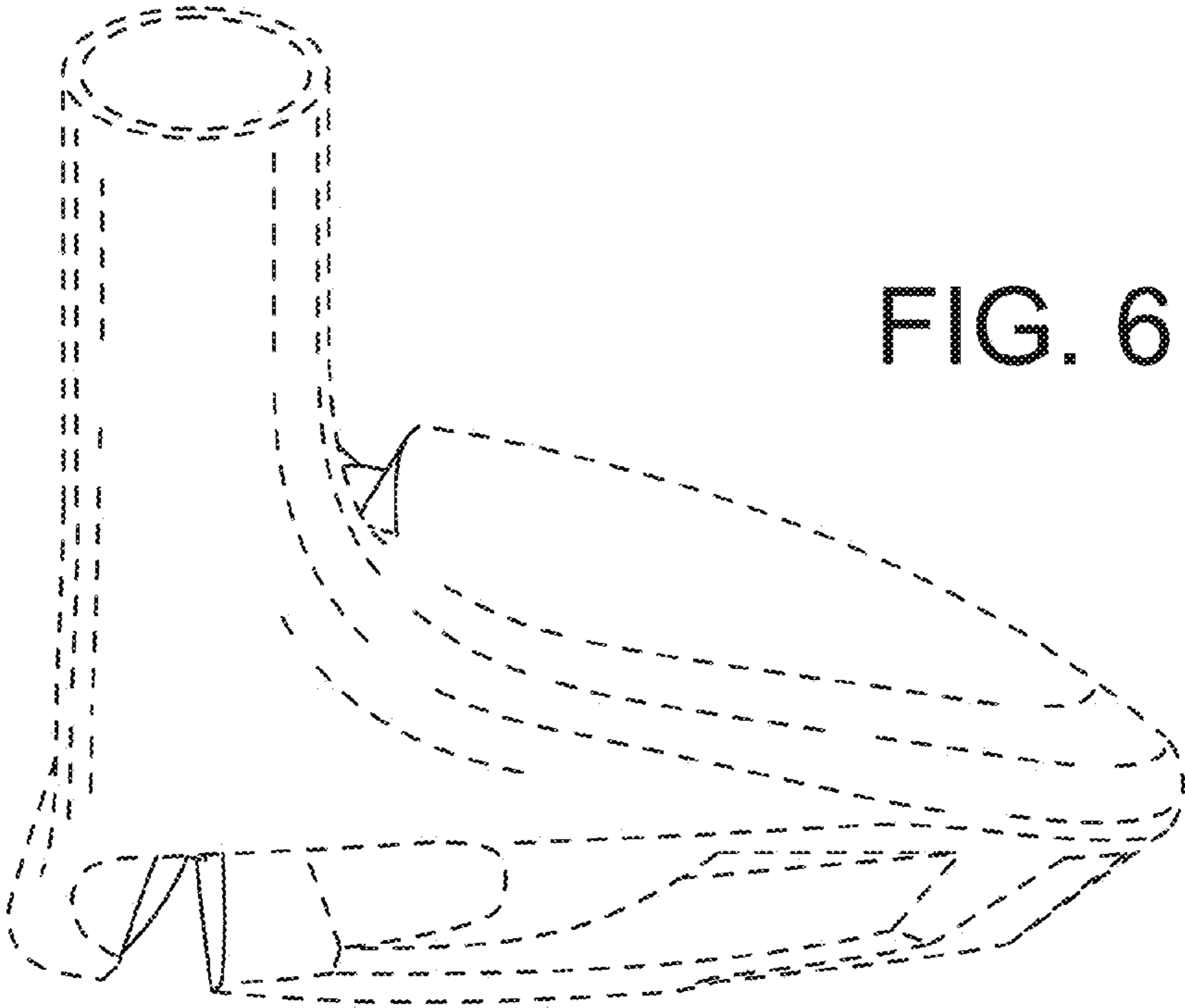


FIG. 6

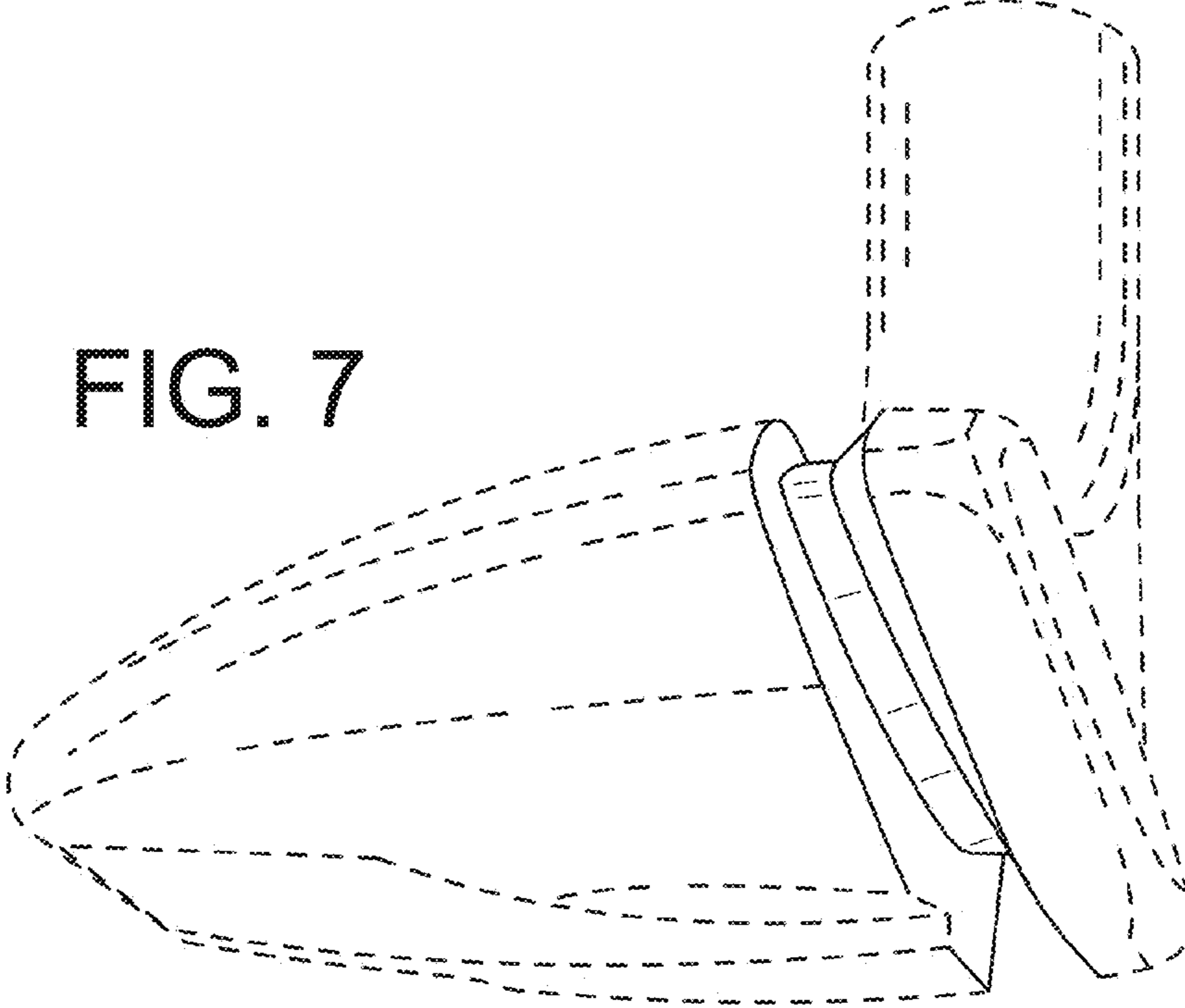


FIG. 7