



US00D706884S

(12) **United States Design Patent**  
**Saber et al.**

(10) **Patent No.:** **US D706,884 S**  
(45) **Date of Patent:** **\*\* Jun. 10, 2014**

- (54) **THROWING APPARATUS**
- (71) Applicants: **Michael A. Saber**, Denver, CO (US);  
**Joseph A. Buescher**, Littleton, CO (US)
- (72) Inventors: **Michael A. Saber**, Denver, CO (US);  
**Joseph A. Buescher**, Littleton, CO (US)
- (73) Assignee: **Chilkoot Trail Ventures, LLC**,  
Littleton, CO (US)
- (\*\*) Term: **14 Years**
- (21) Appl. No.: **29/451,386**
- (22) Filed: **Apr. 1, 2013**

- D554,717 S \* 11/2007 McKinnell et al. .... D21/722
- D637,248 S \* 5/2011 Levin et al. .... D21/722
- D655,359 S \* 3/2012 Thorogood .... D21/722
- D666,686 S \* 9/2012 Burger .... D21/722
- 2004/0029656 A1 2/2004 Vannoy

\* cited by examiner

*Primary Examiner* — Mitchell Siegel

(74) *Attorney, Agent, or Firm* — Mind Law Firm, P.C.;  
Jerome V. Sartain; Justin G. Sanders

(57) **CLAIM**

The ornamental design for a throwing apparatus, as shown and described.

**DESCRIPTION**

FIG. 1 is a perspective view showing an exemplary embodiment of our new throwing apparatus design;  
 FIG. 2 is a top view thereof;  
 FIG. 3 is a bottom view thereof;  
 FIG. 4 is a left side view thereof;  
 FIG. 5 is a right side view thereof;  
 FIG. 6 is a front view thereof;  
 FIG. 7 is a back view thereof;  
 FIG. 8 is a perspective view showing an alternative exemplary embodiment of our new throwing apparatus design;  
 FIG. 9 is a top view thereof;  
 FIG. 10 is a bottom view thereof;  
 FIG. 11 is a left side view thereof;  
 FIG. 12 is a right side view thereof;  
 FIG. 13 is a front view thereof; and,  
 FIG. 14 is a back view thereof.

It should be noted that, pursuant to 37 C.F.R. § 1.152 and MPEP § 1503.02, Part III, broken lines have been used in the drawings to illustrate inherent but unclaimed features of our Throwing Apparatus design, which features are expressly not claimed as part of said design, are shown strictly for context, and are unrelated to any indication of the relative importance of such features.

**1 Claim, 4 Drawing Sheets**

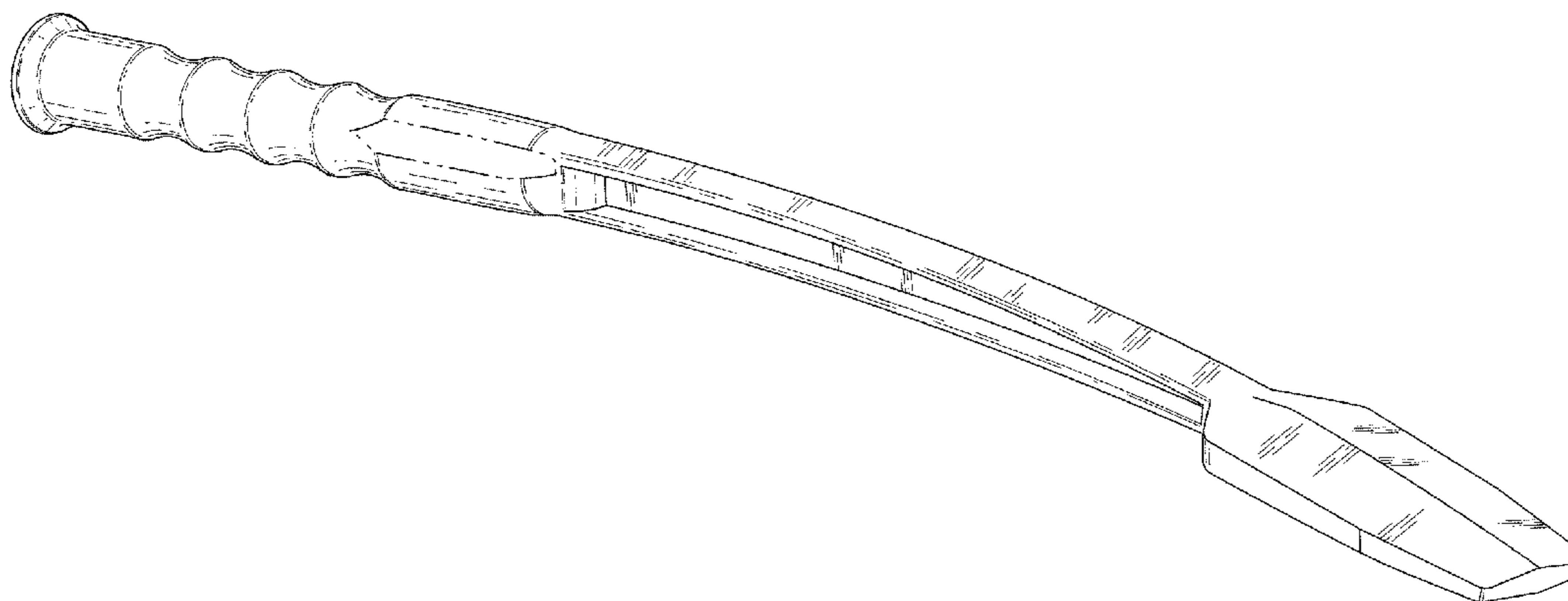
**Related U.S. Application Data**

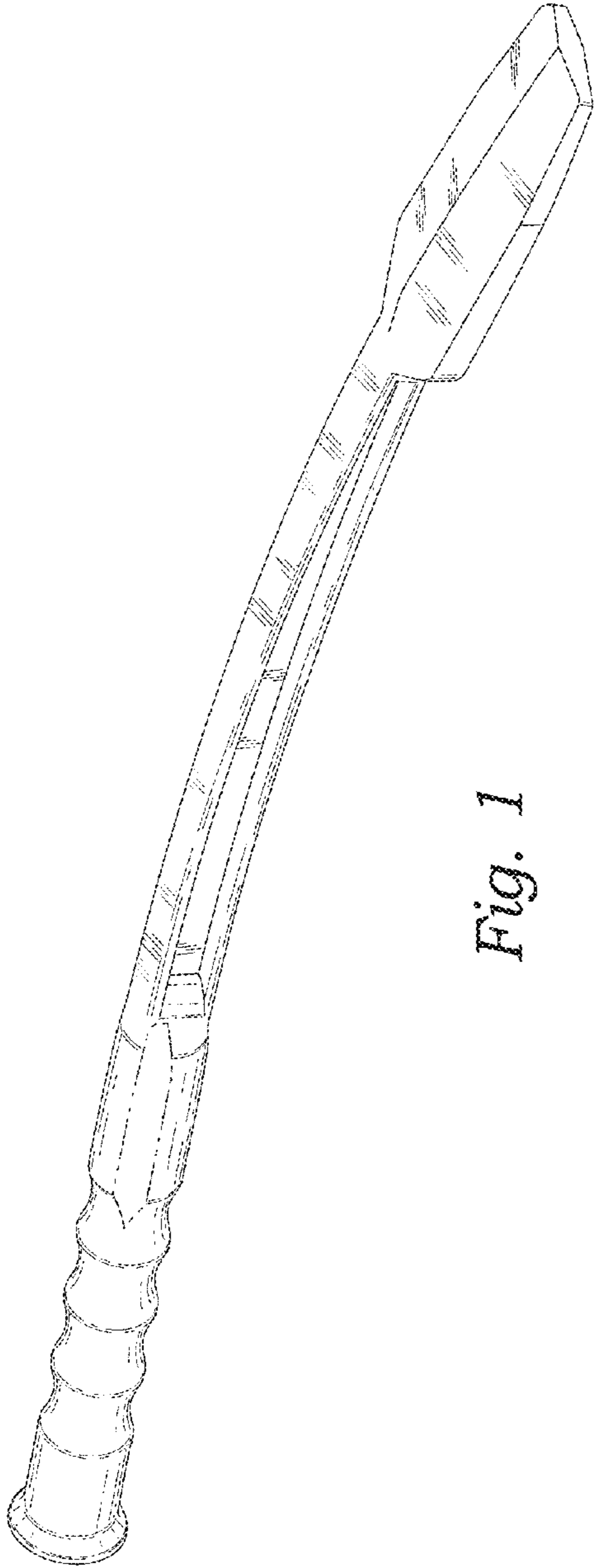
- (63) Continuation-in-part of application No. 12/860,703,  
filed on Aug. 20, 2010.
- (51) **LOC (10) Cl.** ..... **21-02**
- (52) **U.S. Cl.**  
USPC ..... **D21/722**
- (58) **Field of Classification Search**  
USPC ..... D21/722; 124/5, 7, 41; 473/505–515;  
446/63  
See application file for complete search history.

(56) **References Cited**

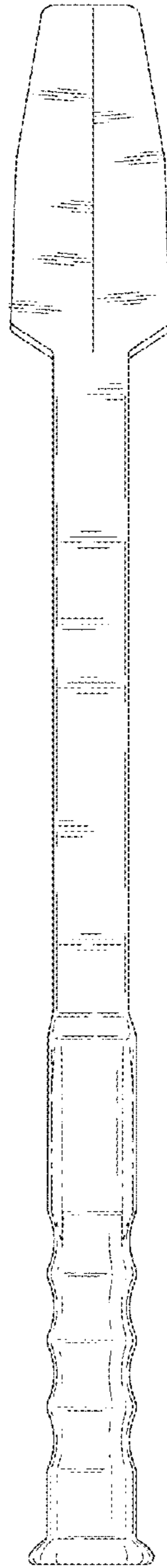
**U.S. PATENT DOCUMENTS**

- 3,428,036 A 2/1969 Parker
- 3,589,349 A 6/1971 Parker
- 3,841,292 A \* 10/1974 Hoffman ..... 124/5
- 3,898,765 A \* 8/1975 Lee ..... 446/63
- D249,815 S \* 10/1978 Huelskamp ..... D21/722
- 4,364,371 A 12/1982 Woolard
- 4,549,521 A \* 10/1985 Hargrave, Jr. .... 124/5
- 5,129,650 A 7/1992 Hayman
- D424,640 S \* 5/2000 Oblack ..... D21/722
- 6,076,829 A \* 6/2000 Oblack ..... 124/5
- 7,032,583 B1 \* 4/2006 Hall ..... 124/5

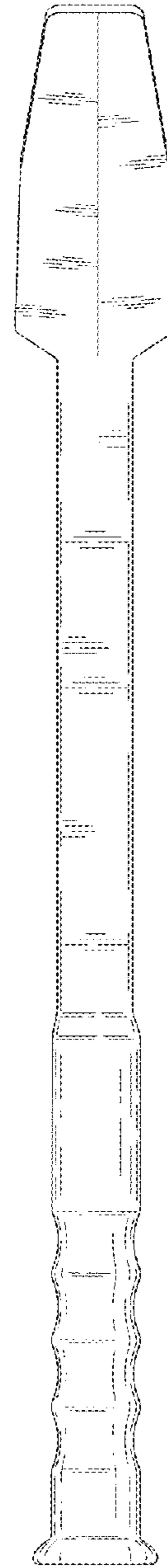




*Fig. 1*



*Fig. 2*



*Fig. 3*

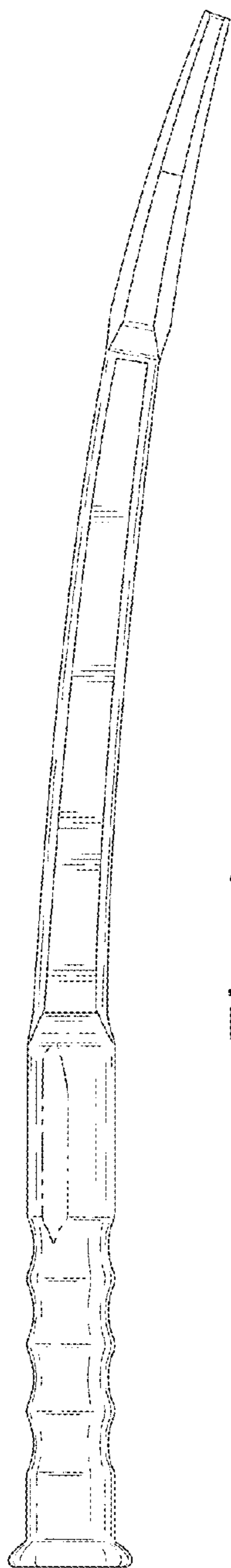


Fig. 4

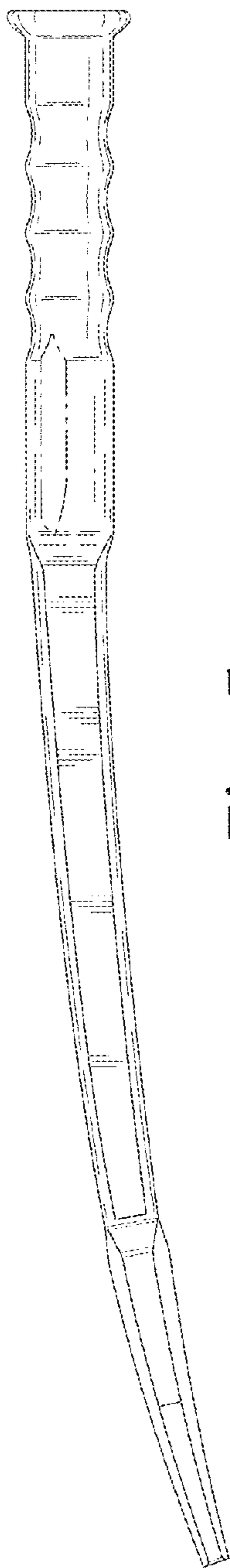


Fig. 5

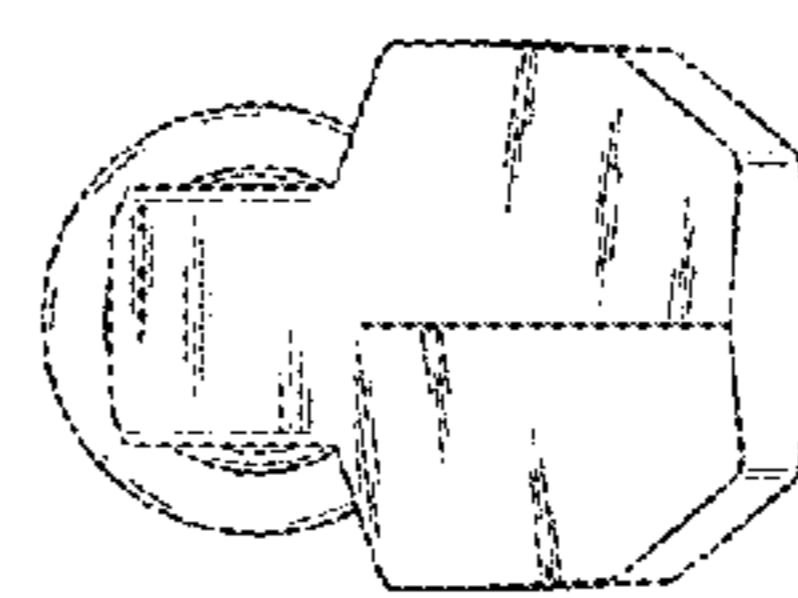


Fig. 6

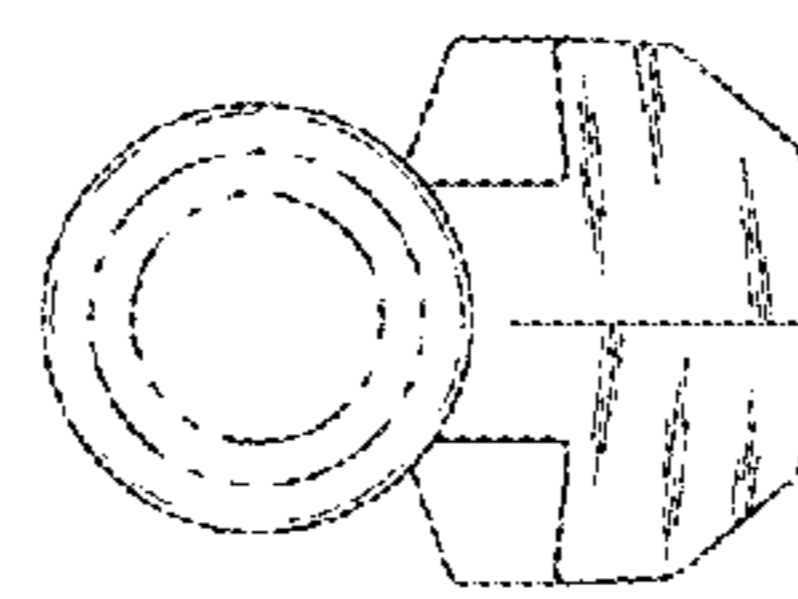
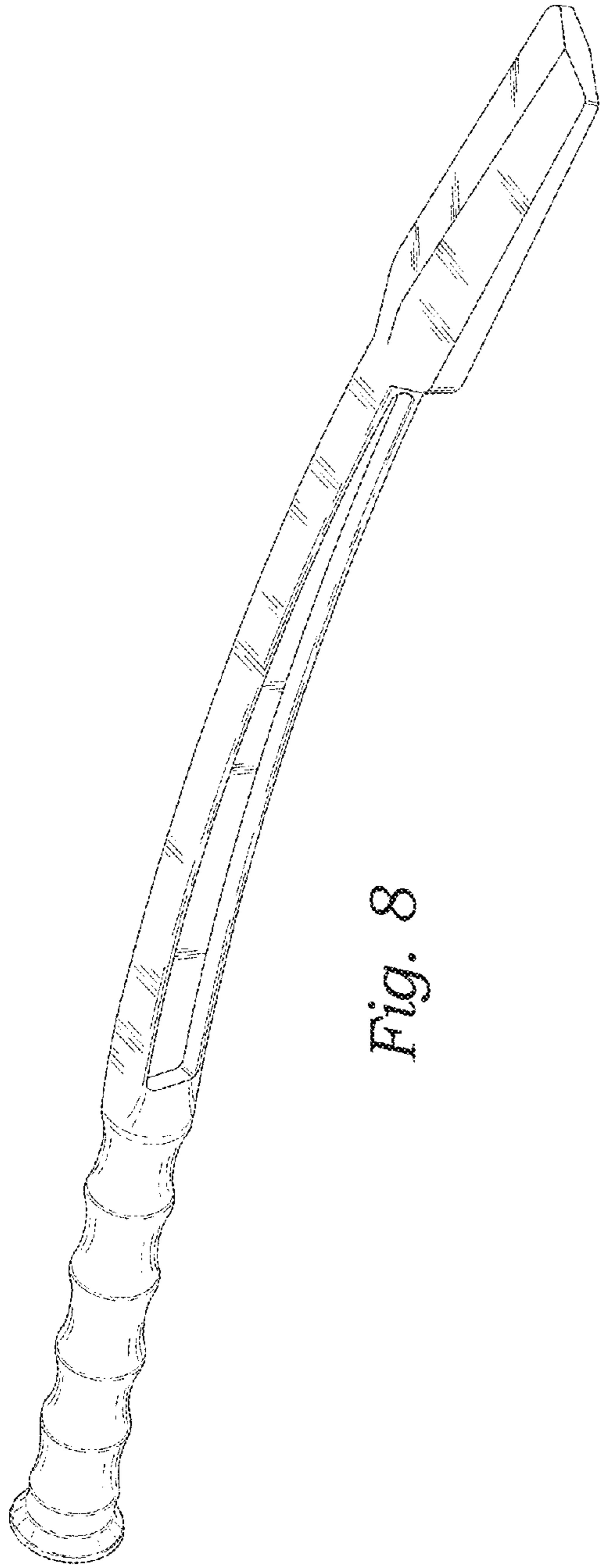
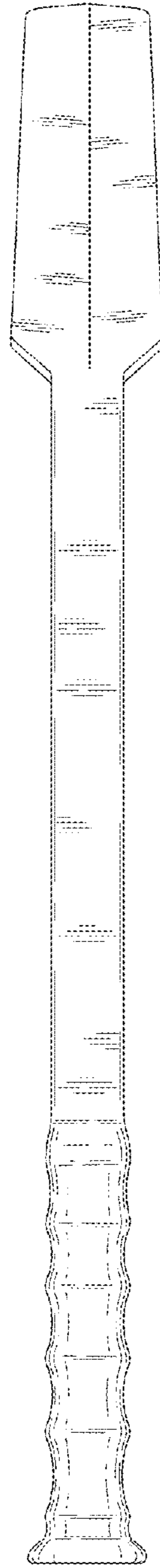


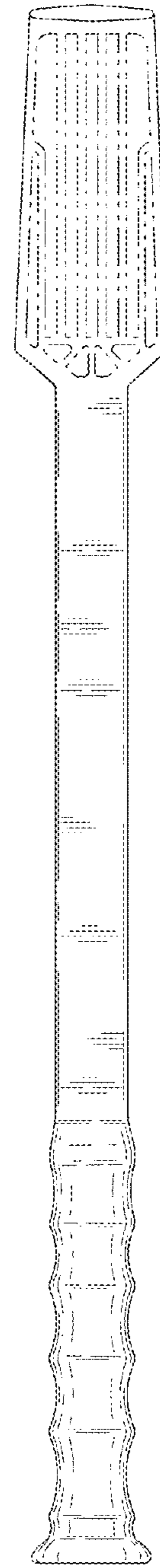
Fig. 7



*Fig. 8*



*Fig. 9*



*Fig. 10*

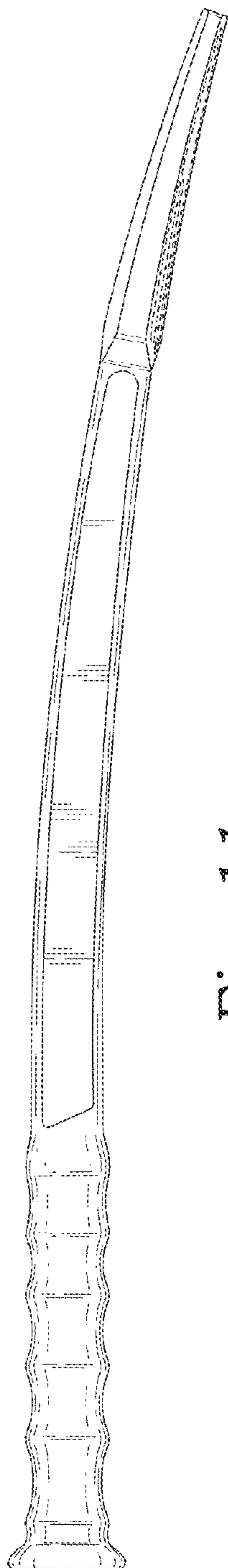


Fig. 11

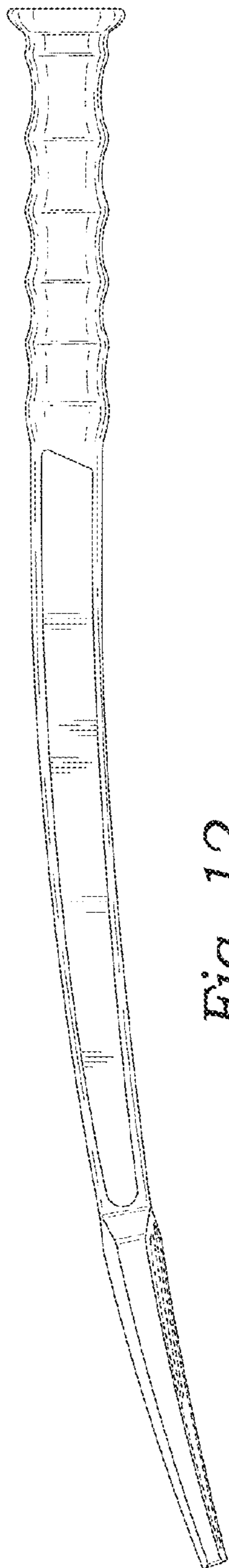


Fig. 12

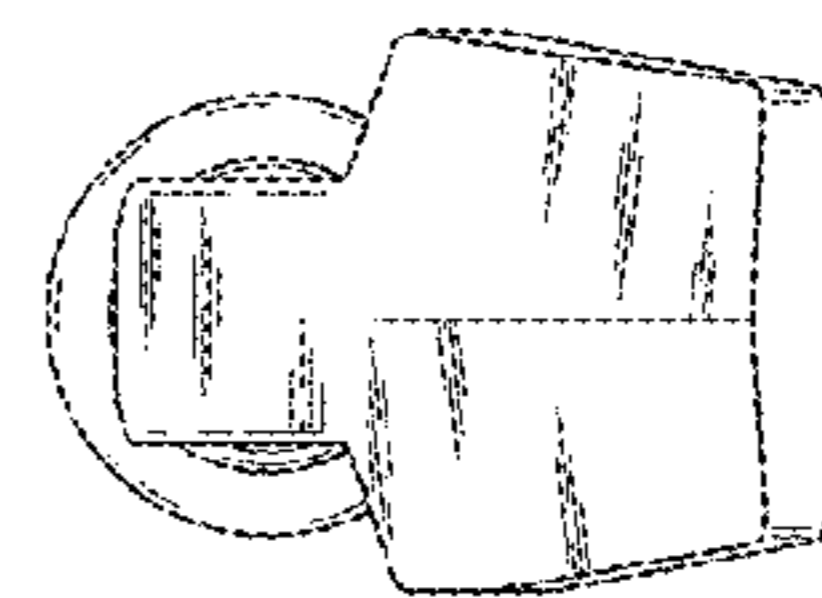


Fig. 13

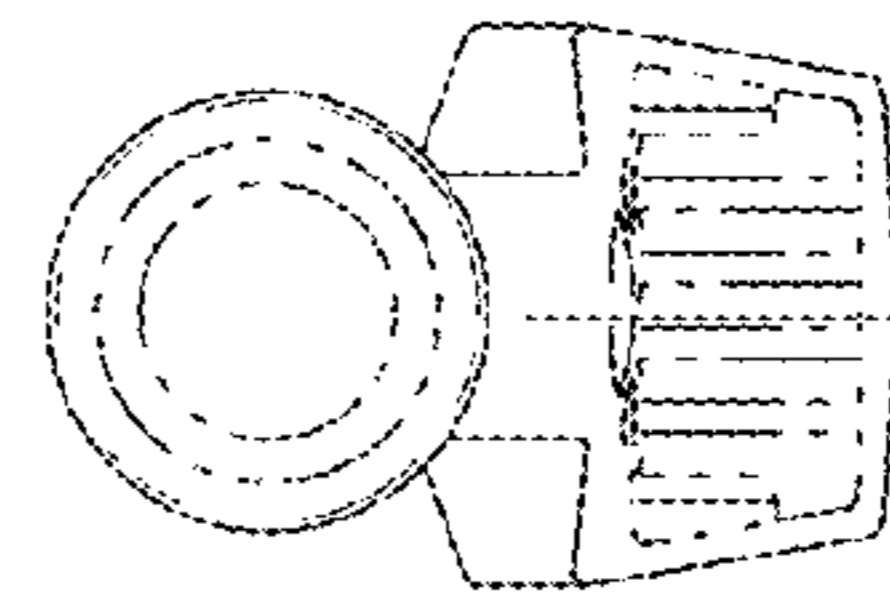


Fig. 14