



US00D706879S

(12) **United States Design Patent**
Chu

(10) **Patent No.:** **US D706,879 S**
(45) **Date of Patent:** **** Jun. 10, 2014**

(54) **TOY GUN STOCK**

(56) **References Cited**

(71) Applicant: **I Chih Shivan Enterprise Co., Ltd.**,
Taichung (TW)

U.S. PATENT DOCUMENTS

(72) Inventor: **Chen Tang Chu**, Taichung (TW)

D515,637 S *	2/2006	Hatcher	D21/573
D520,081 S *	5/2006	Hatcher	D21/573
D600,308 S *	9/2009	Fitzpatrick et al.	D22/109
7,762,018 B1 *	7/2010	Fitzpatrick et al.	42/73
D636,833 S *	4/2011	Mayberry et al.	D22/108
D640,342 S *	6/2011	Fitzpatrick et al.	D22/108
D648,412 S *	11/2011	Cook et al.	D22/108
D661,366 S *	6/2012	Zusman	D22/108

(73) Assignee: **I Chih Shivan Enterprise Co., Ltd.**,
Taichung (TW)

* cited by examiner

(**) Term: **14 Years**

Primary Examiner — Cynthia M Chin

(21) Appl. No.: **29/455,931**

(74) *Attorney, Agent, or Firm* — Leong C. Lei

(22) Filed: **May 28, 2013**

(57) **CLAIM**

The ornamental design for a toy gun stock, as shown and described.

(51) **LOC (10) Cl.** **21-01**

DESCRIPTION

(52) **U.S. Cl.**

USPC **D21/573**

(58) **Field of Classification Search**

USPC D21/333, 401, 461, 567, 568, 570–575;
D14/418; D22/100, 101, 103, 104,
D22/105, 108–110; 124/16, 26, 27, 28, 29,
124/54, 73–77; 222/78, 79; 42/54, 57, 58,
42/71.01, 72, 73, 74, 75.03, 90; 446/23,
446/182, 192, 401, 403, 405–407, 473, 475

FIG. 1 is a front perspective view of a toy gun stock showing my new design;

FIG. 2 is a front elevational view thereof;

FIG. 3 is a rear elevational view thereof;

FIG. 4 is a left elevational view thereof;

FIG. 5 is a right elevational view thereof;

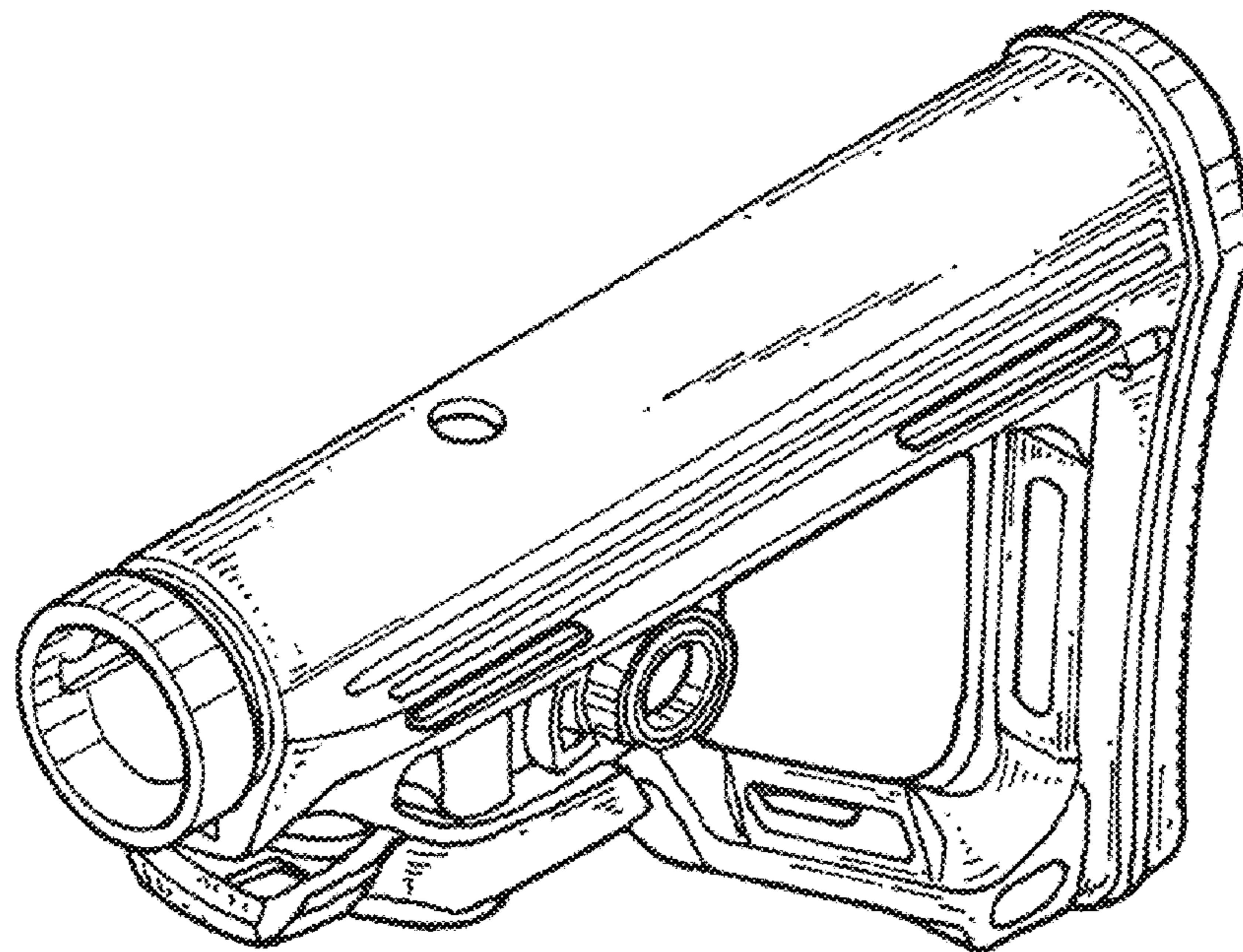
FIG. 6 is a top plan view thereof; and,

FIG. 7 is a bottom plan view thereof.

The portions of the article shown in broken lines form no part of the claimed design.

See application file for complete search history.

1 Claim, 5 Drawing Sheets



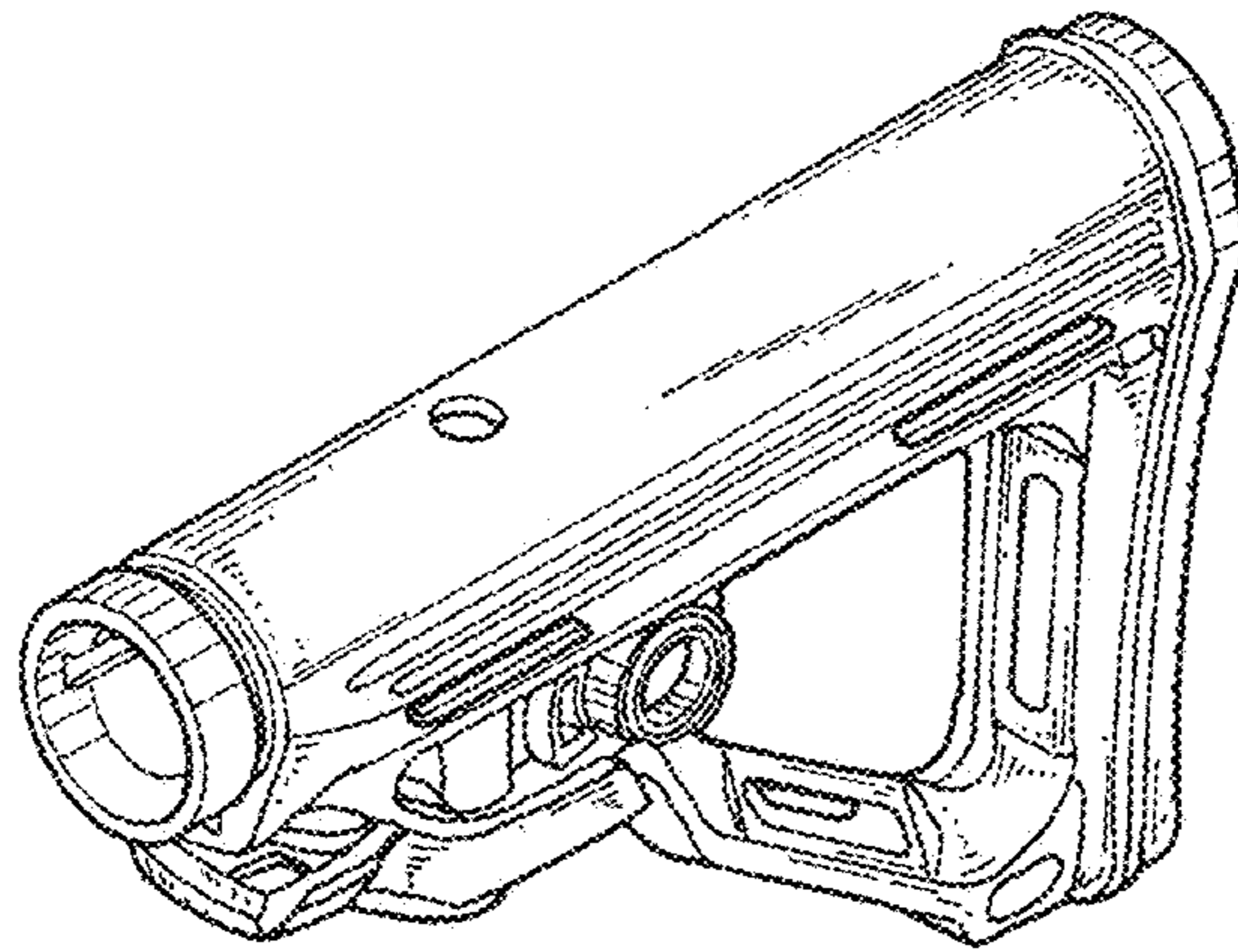


FIG. 1

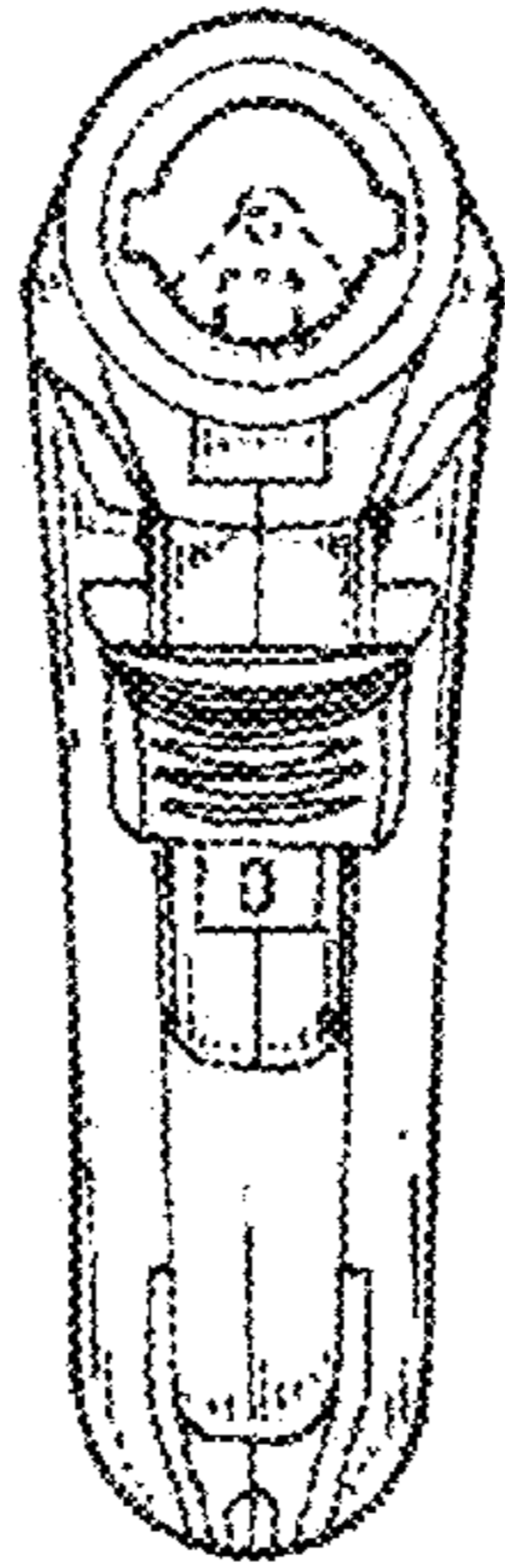


FIG. 2

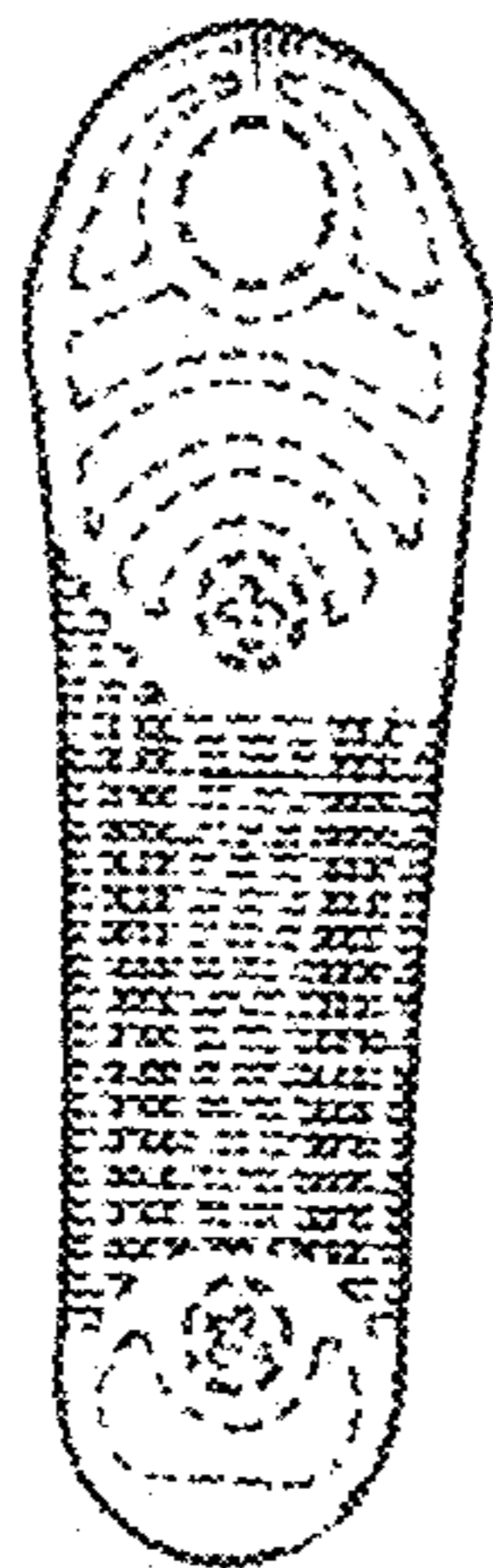


FIG. 3

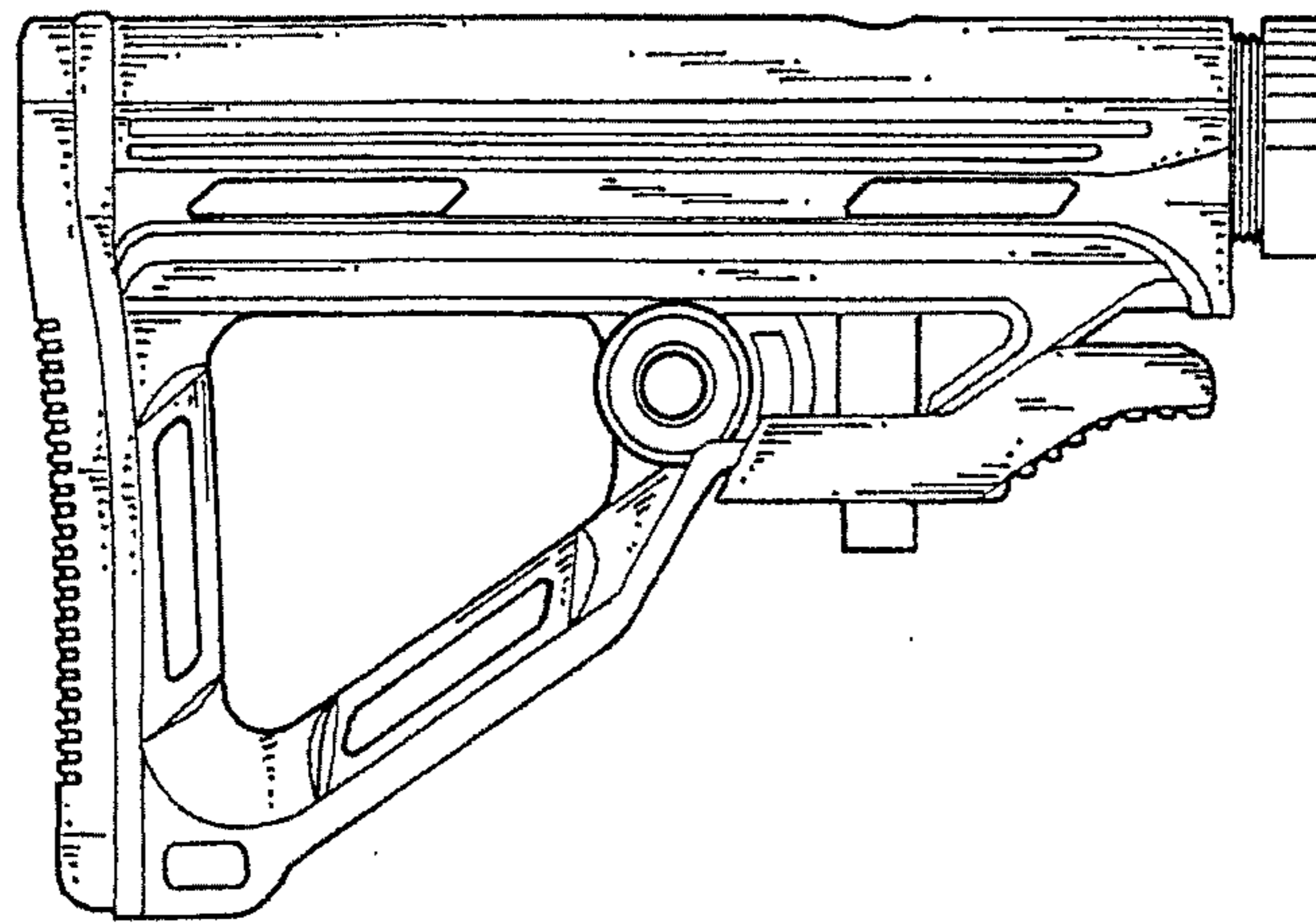


FIG.4

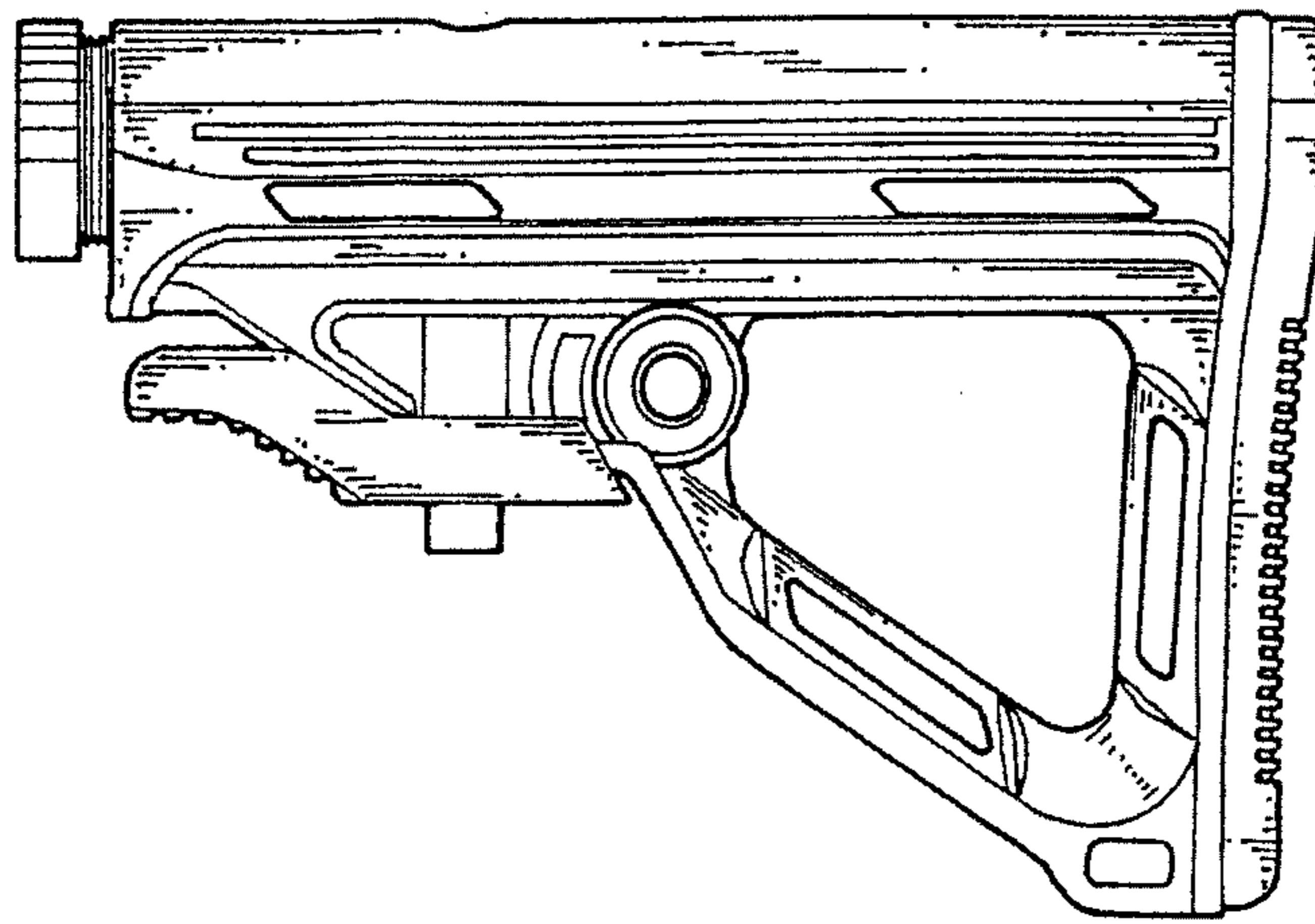


FIG.5

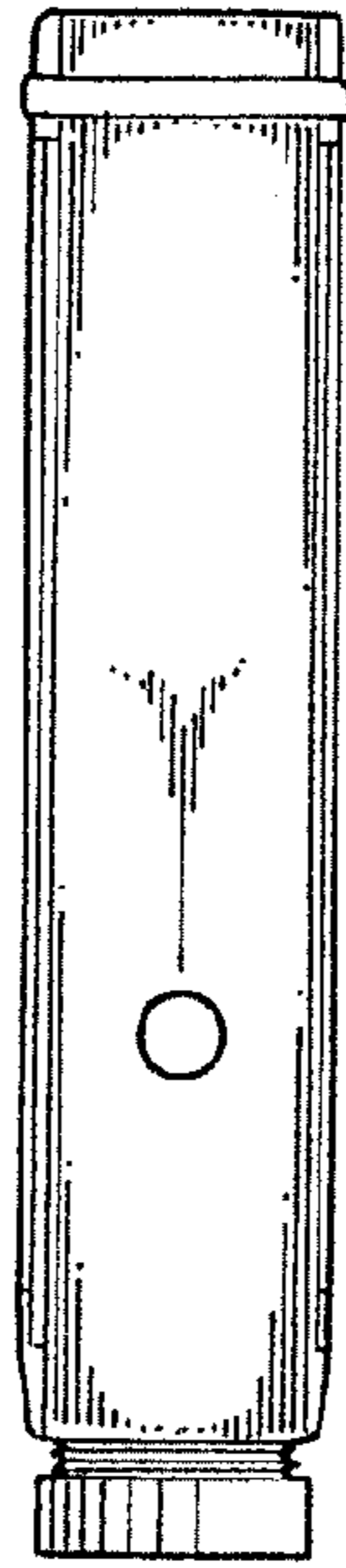


FIG. 6

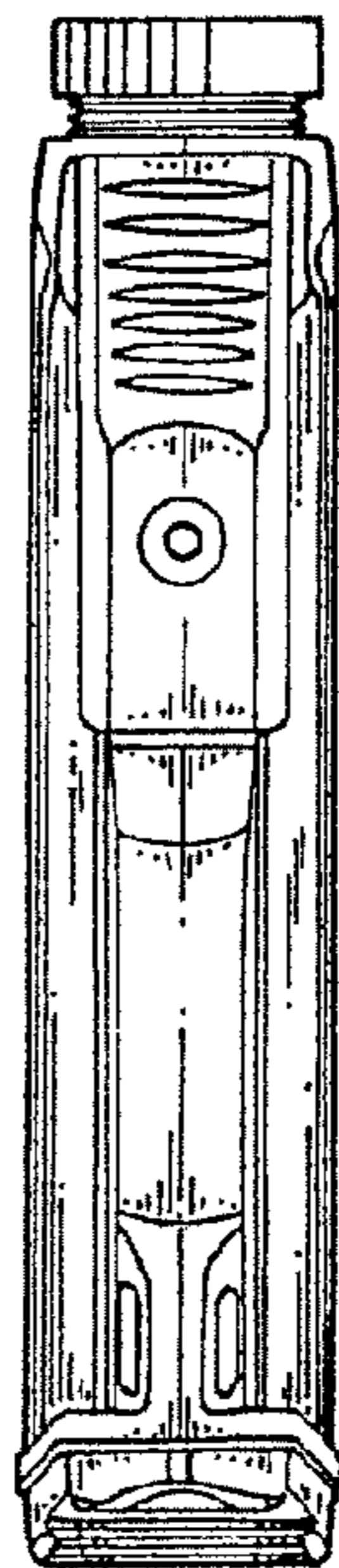


FIG. 7