



US00D706878S

(12) **United States Design Patent**
Nishizawa et al.

(10) **Patent No.:** **US D706,878 S**
(45) **Date of Patent:** **** Jun. 10, 2014**

(54) **TOY WEAPON**

(74) *Attorney, Agent, or Firm* — Rabin & Berdo, P.C.

(71) Applicant: **Bandai Co., Ltd.**, Tokyo (JP)

(57) **CLAIM**

(72) Inventors: **Kiyoto Nishizawa**, Tokyo (JP); **Kazuya Suzuki**, Tokyo (JP); **Akira Onodera**, Tokyo (JP)

The ornamental design for a toy weapon, as shown and described.

(73) Assignee: **Bandai Co., Ltd.**, Tokyo (JP)

DESCRIPTION

(**) Term: **14 Years**

(21) Appl. No.: **29/440,353**

(22) Filed: **Dec. 20, 2012**

(30) **Foreign Application Priority Data**

Jun. 20, 2012 (JP) 2012-014696

(51) **LOC (10) Cl.** **21-01**

(52) **U.S. Cl.**
USPC **D21/568; D21/573**

(58) **Field of Classification Search**
USPC D21/567, 568, 570–573; D22/101, 104, D22/105, 117, 118; D8/97–99, 102–104, D8/107, 300, 305, 347; 30/162, 286, 295, 30/299, 346; 482/12; 446/15, 153, 175, 446/197, 219, 405, 473; 42/53, 90
See application file for complete search history.

(56) **References Cited**

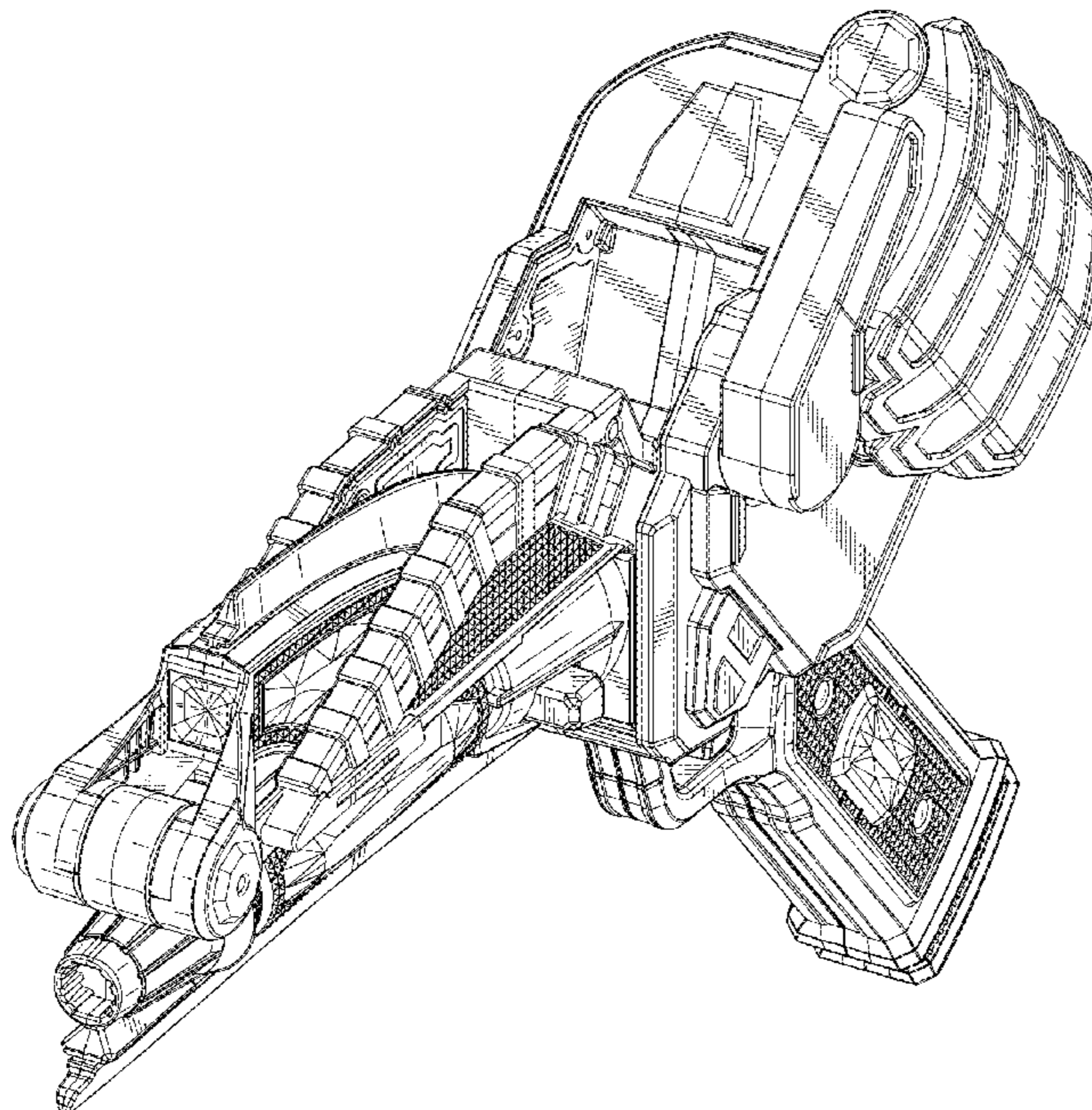
U.S. PATENT DOCUMENTS

D48,510 S * 2/1916 Williams D22/101
2,805,507 A * 9/1957 Buquor 42/53

(Continued)

Primary Examiner — Cynthia M Chin

1 Claim, 22 Drawing Sheets



US D706,878 S

Page 2

(56)

References Cited

U.S. PATENT DOCUMENTS

3,879,878 A * 4/1975 Musgrave 42/90
D355,224 S * 2/1995 Arad et al. D21/570
6,209,250 B1 * 4/2001 Mills 42/53
D457,579 S * 5/2002 Yiu D21/568

D461,868 S * 8/2002 Hall et al. D22/118
D495,394 S * 8/2004 Rae D22/118
D530,386 S * 10/2006 Betts et al. D22/101
D655,353 S * 3/2012 Hara et al. D21/568
D673,441 S * 1/2013 Sung D8/100

* cited by examiner

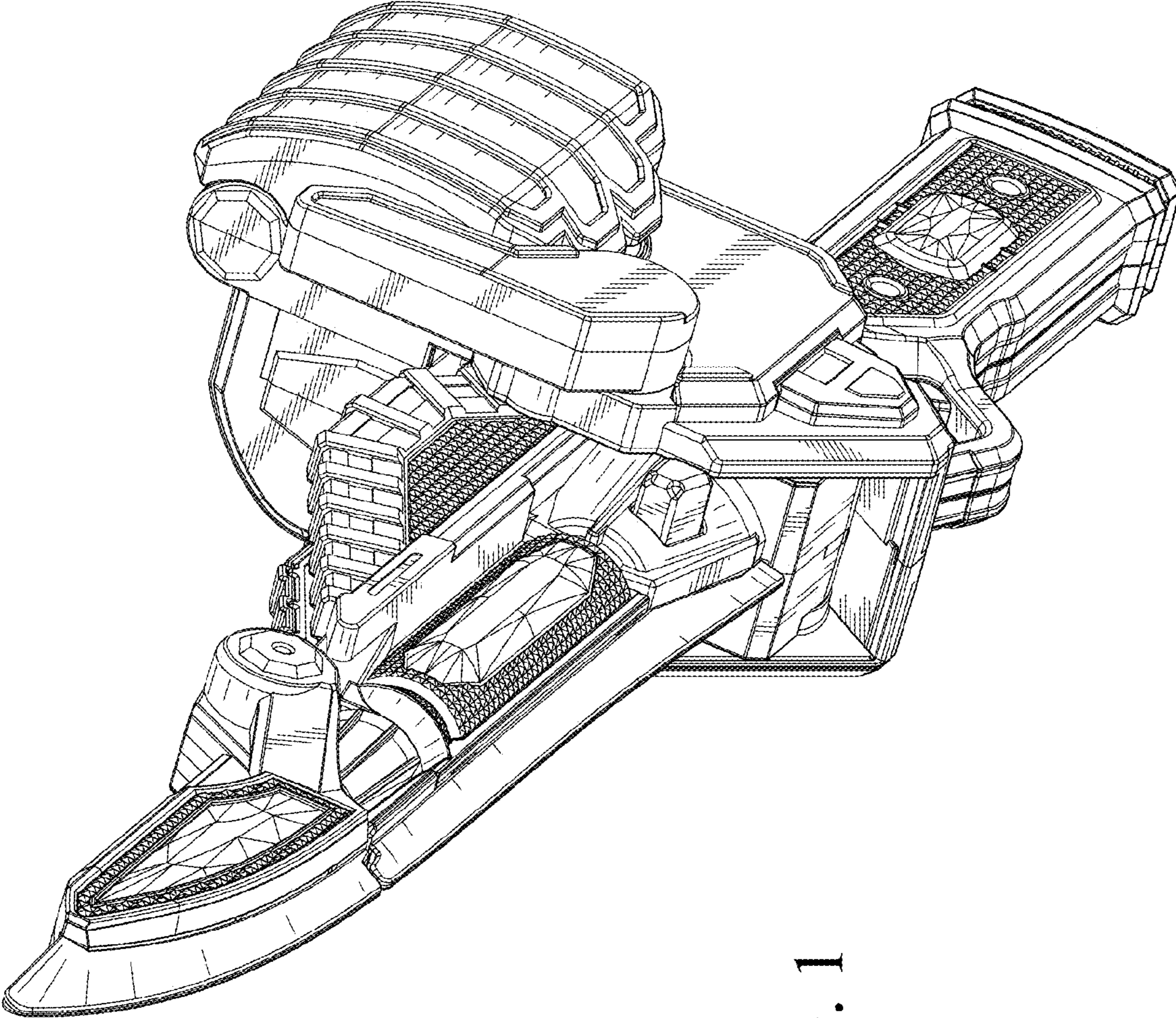


FIG. 1

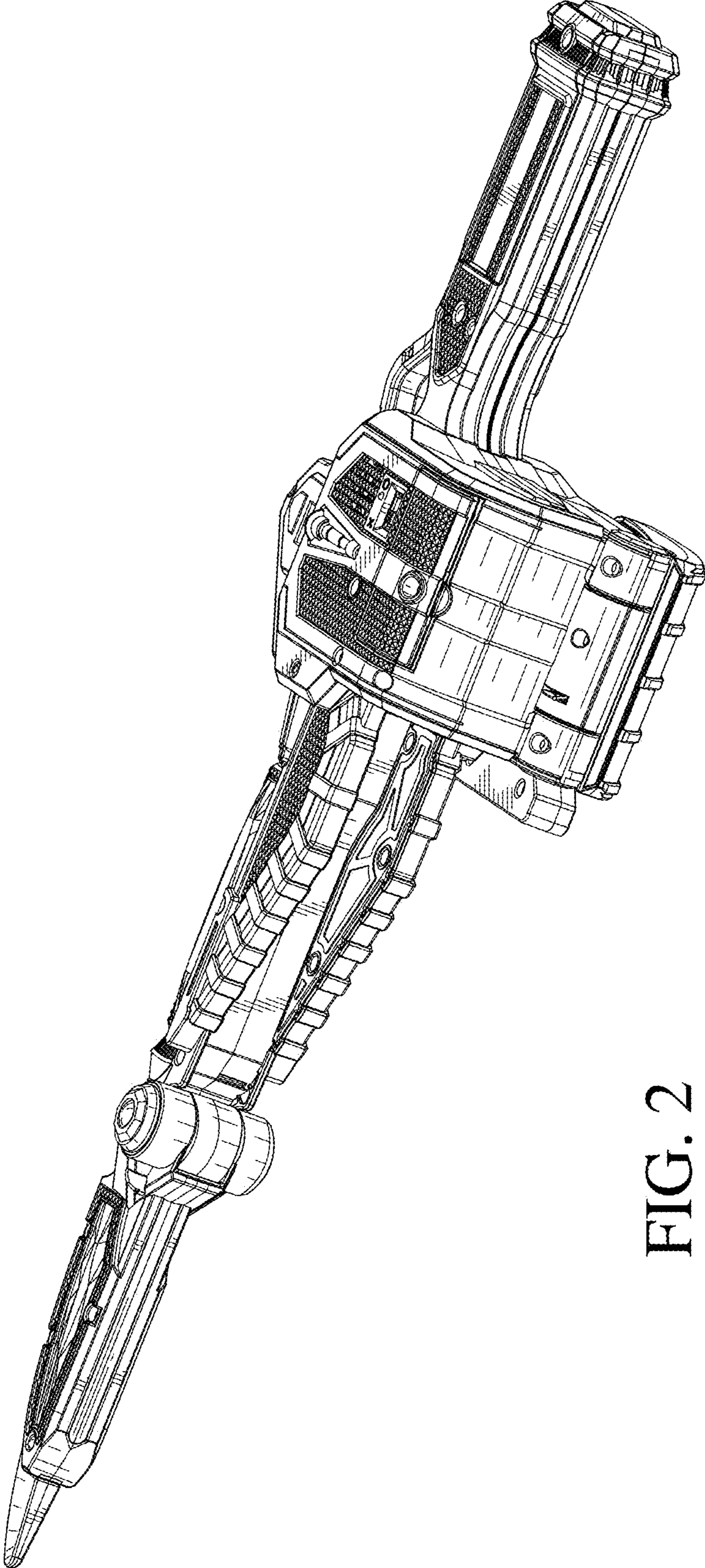


FIG. 2

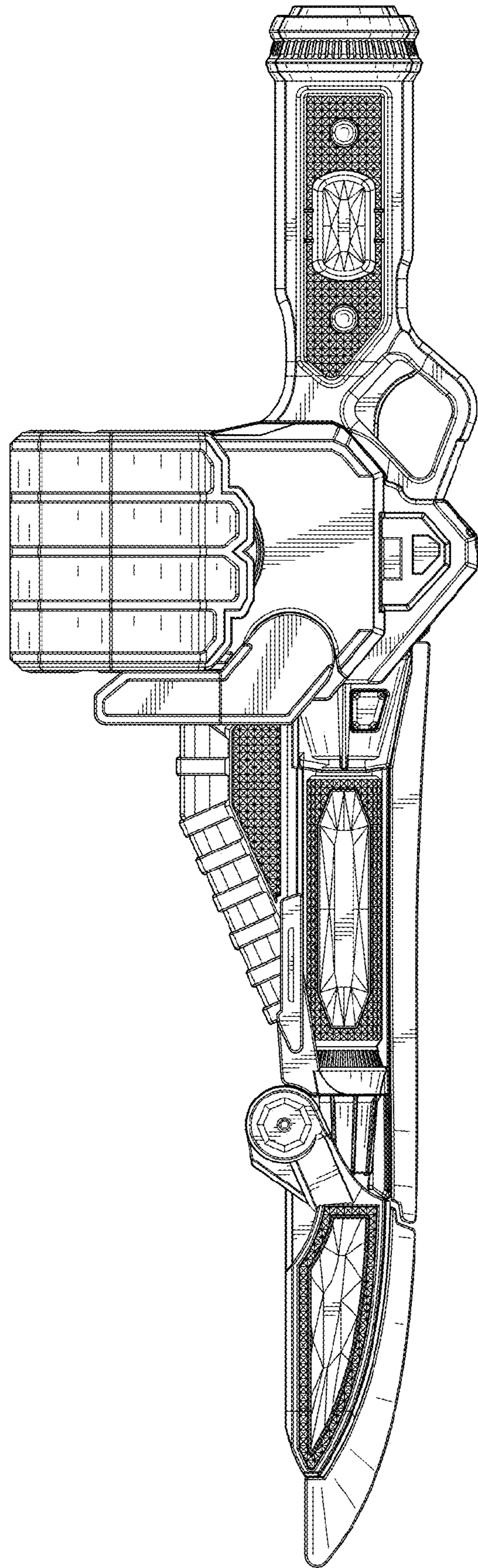


FIG. 3

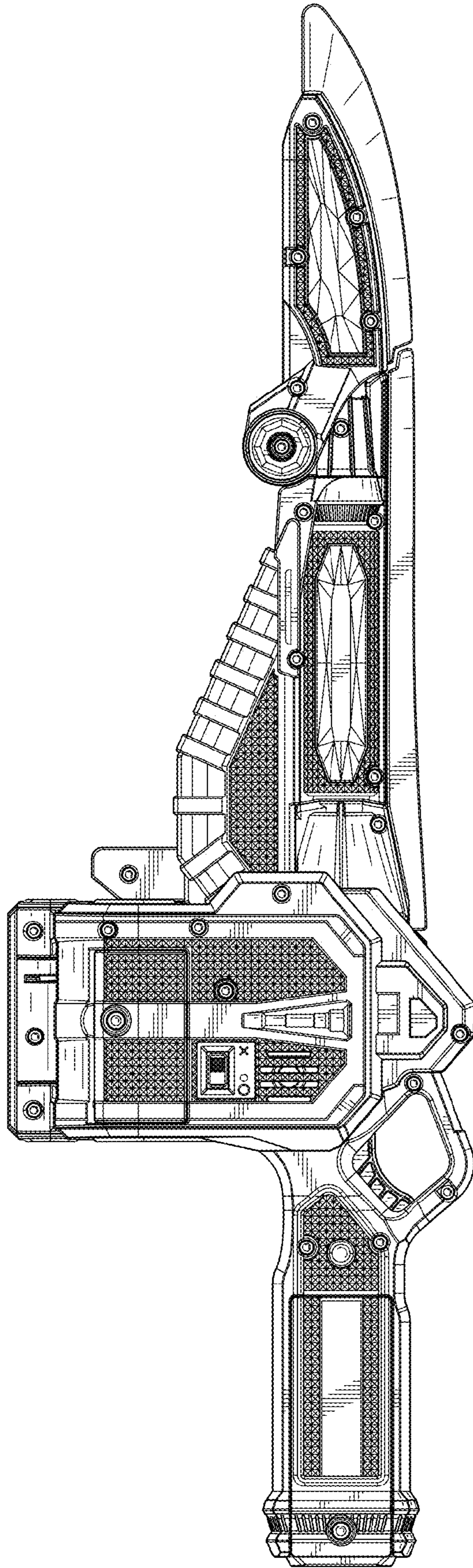


FIG. 4

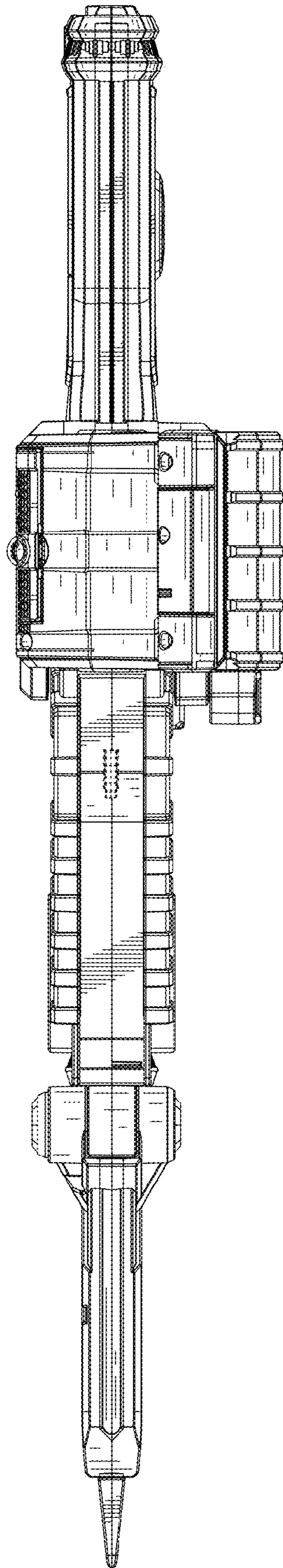


FIG. 5

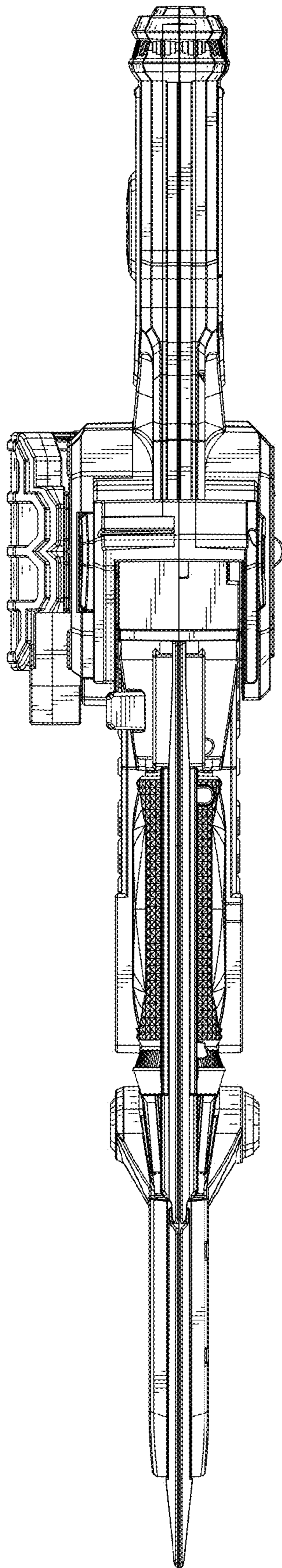


FIG. 6

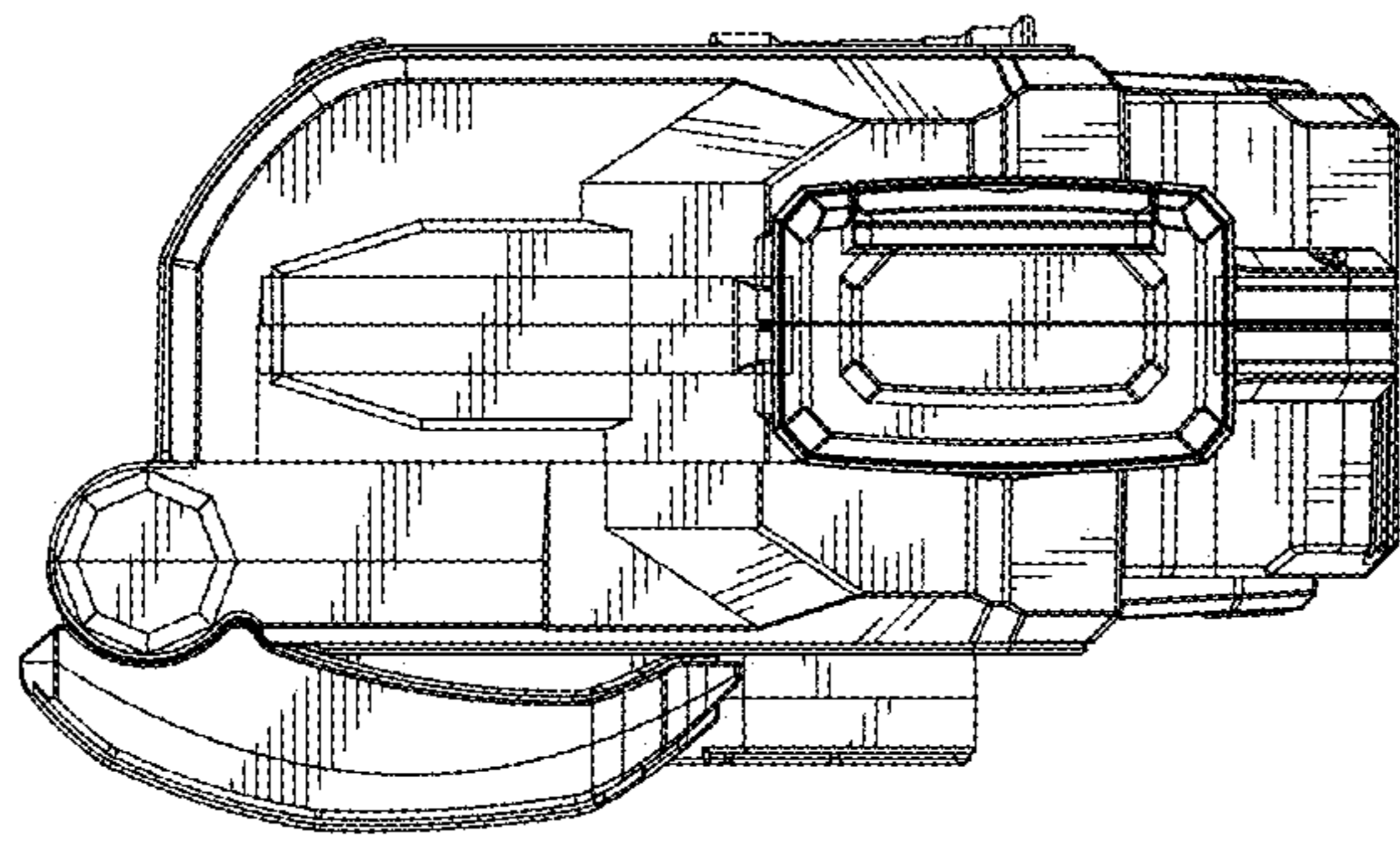


FIG. 7

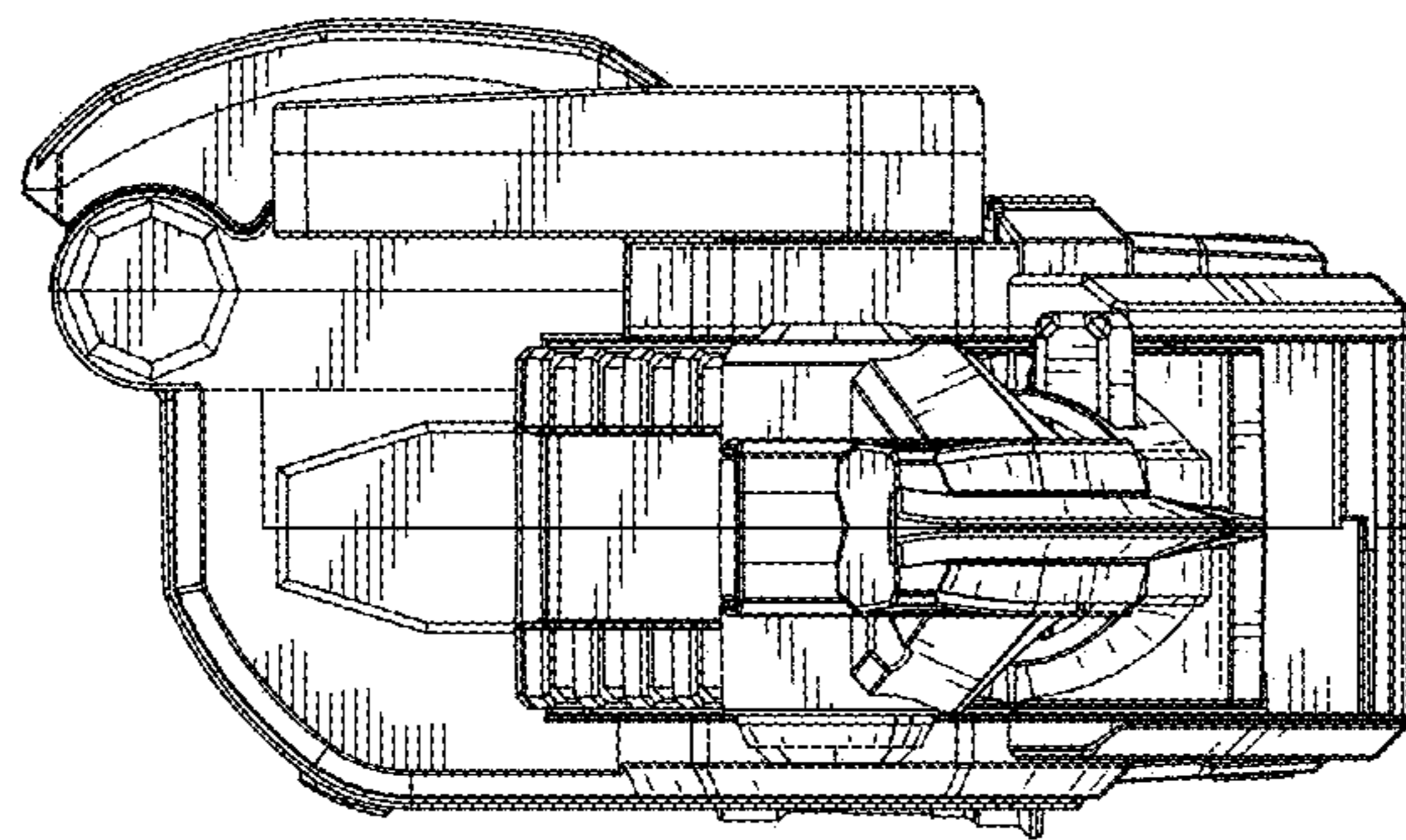


FIG. 8

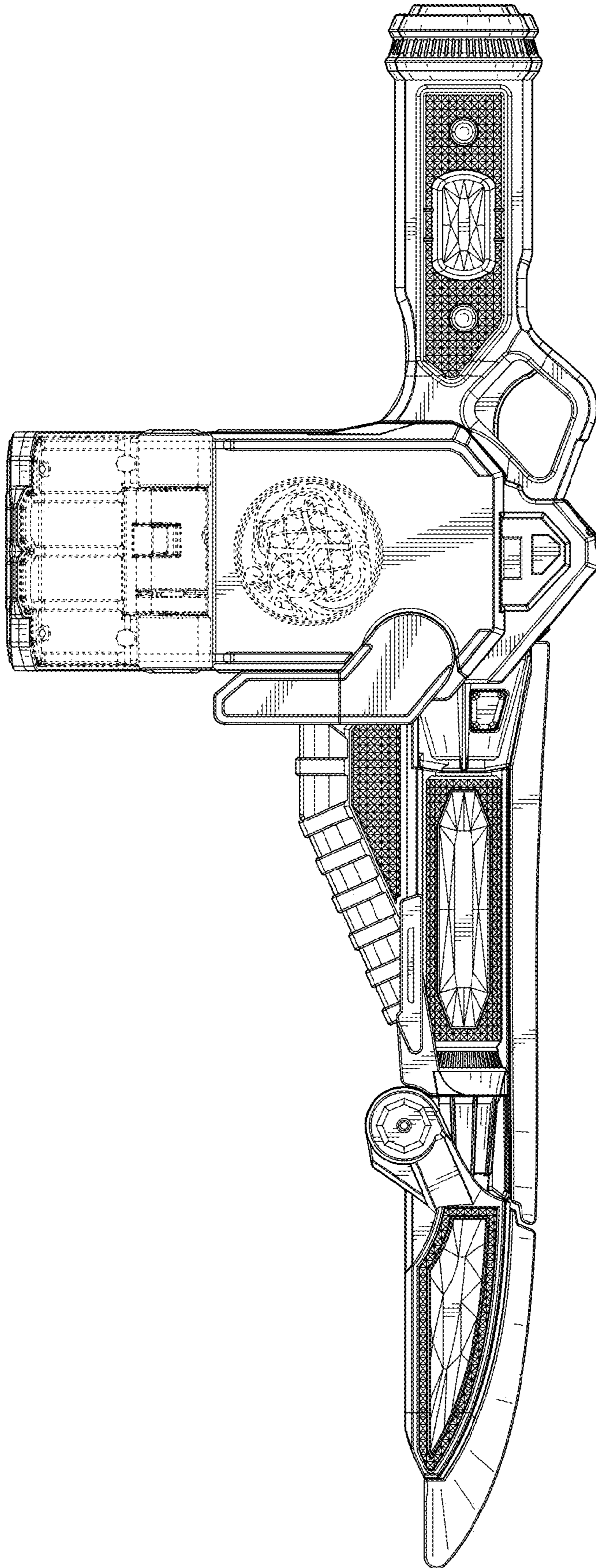


FIG. 9

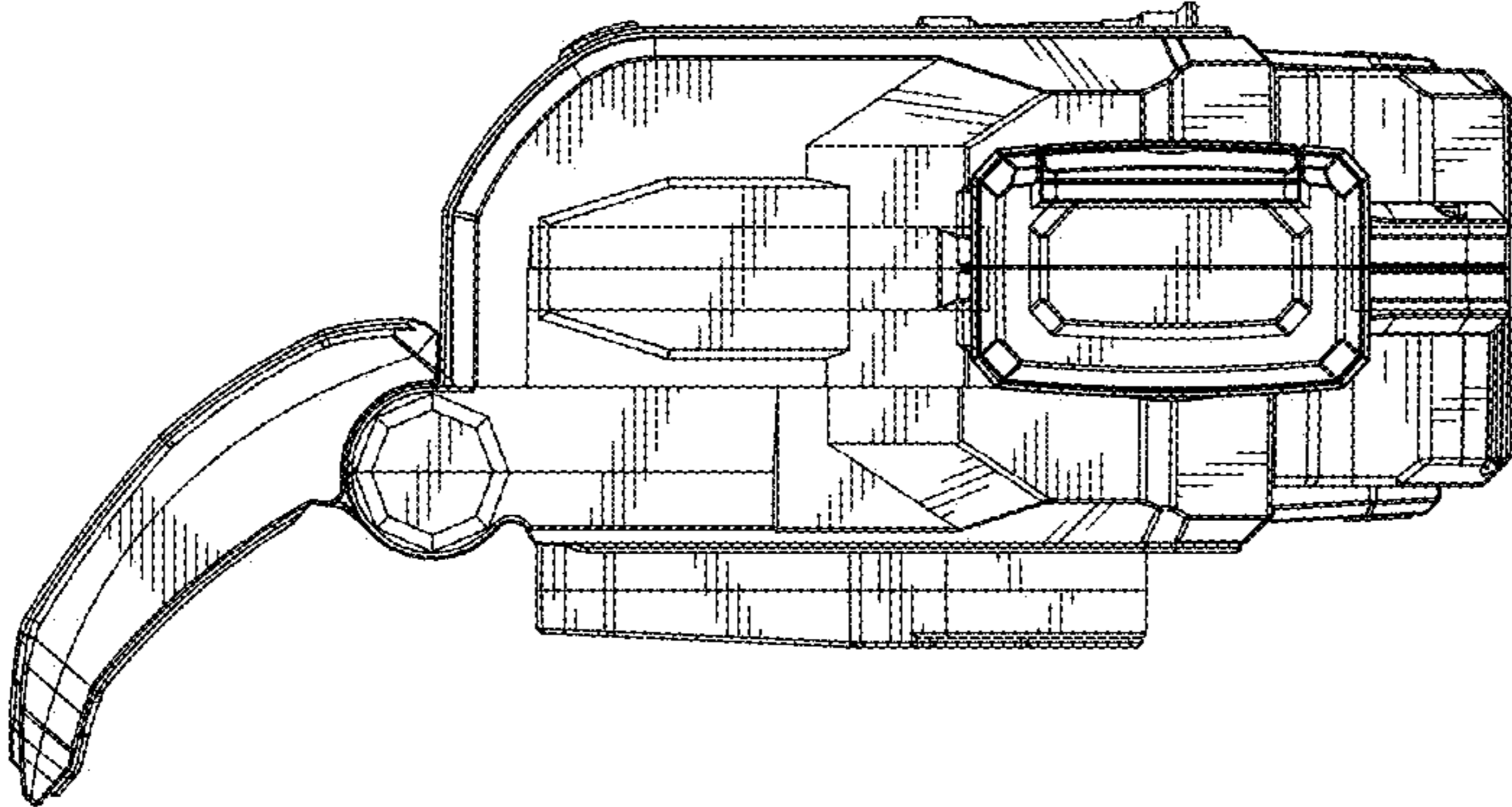


FIG. 10

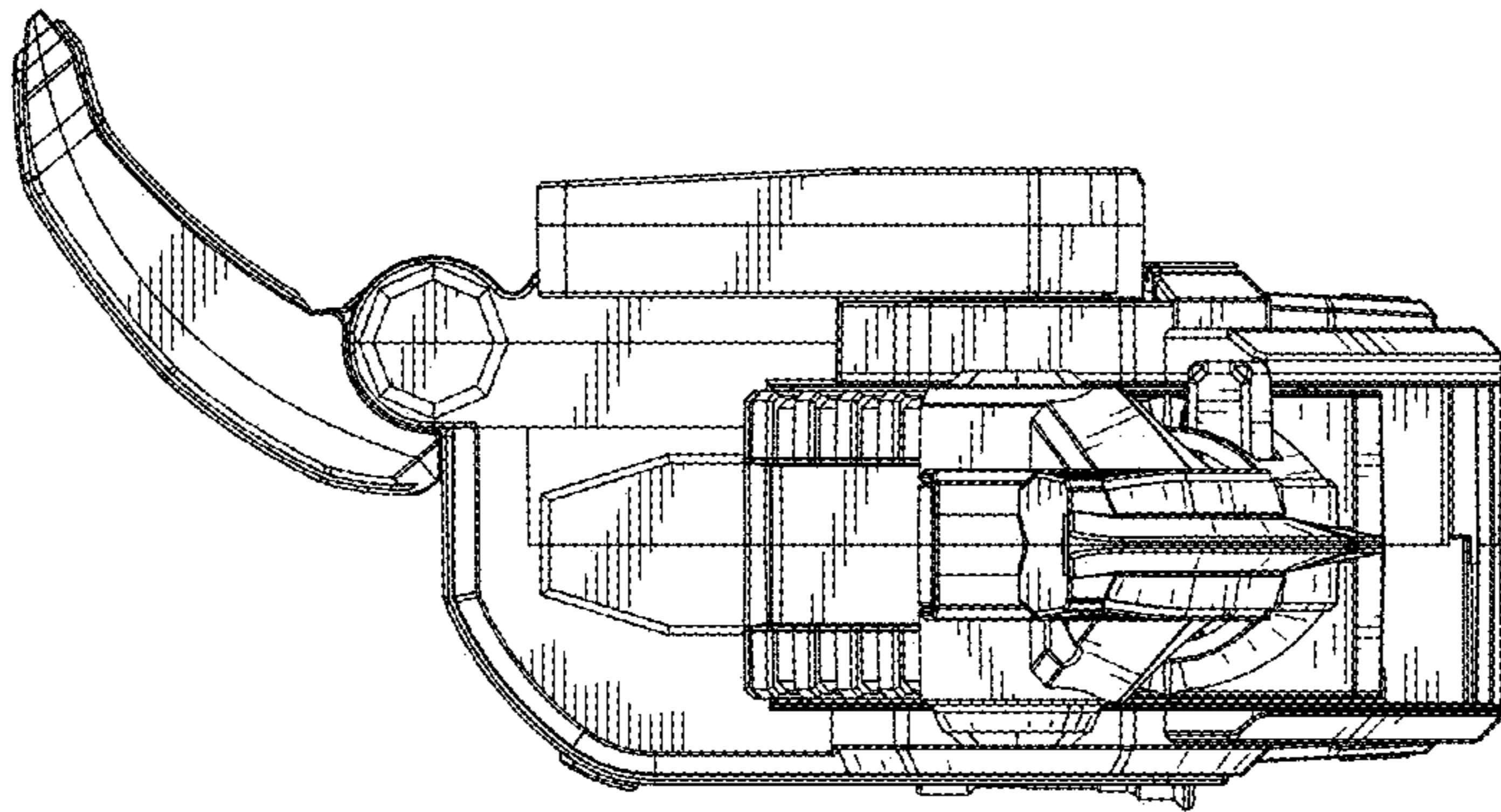


FIG. 11

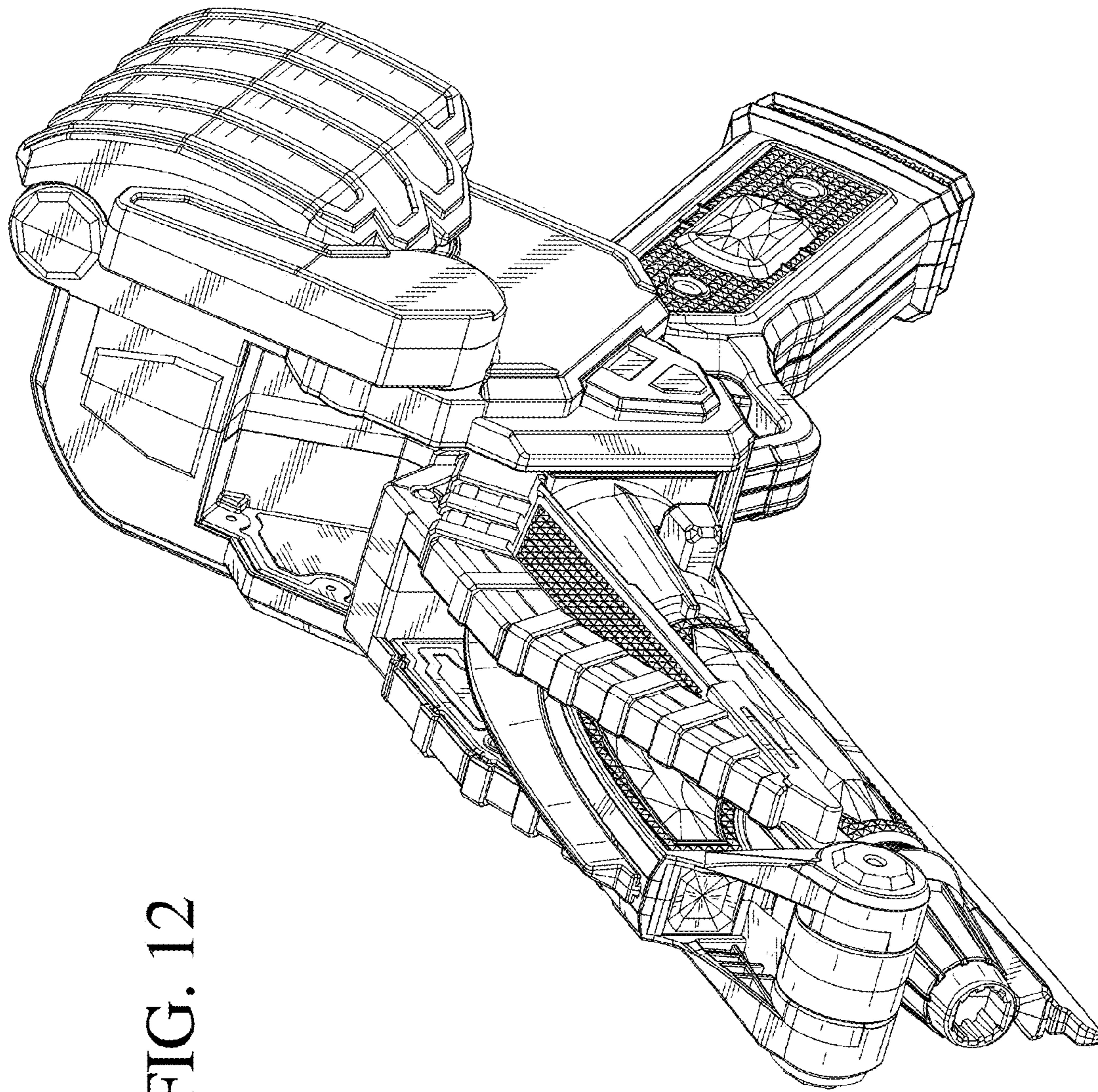
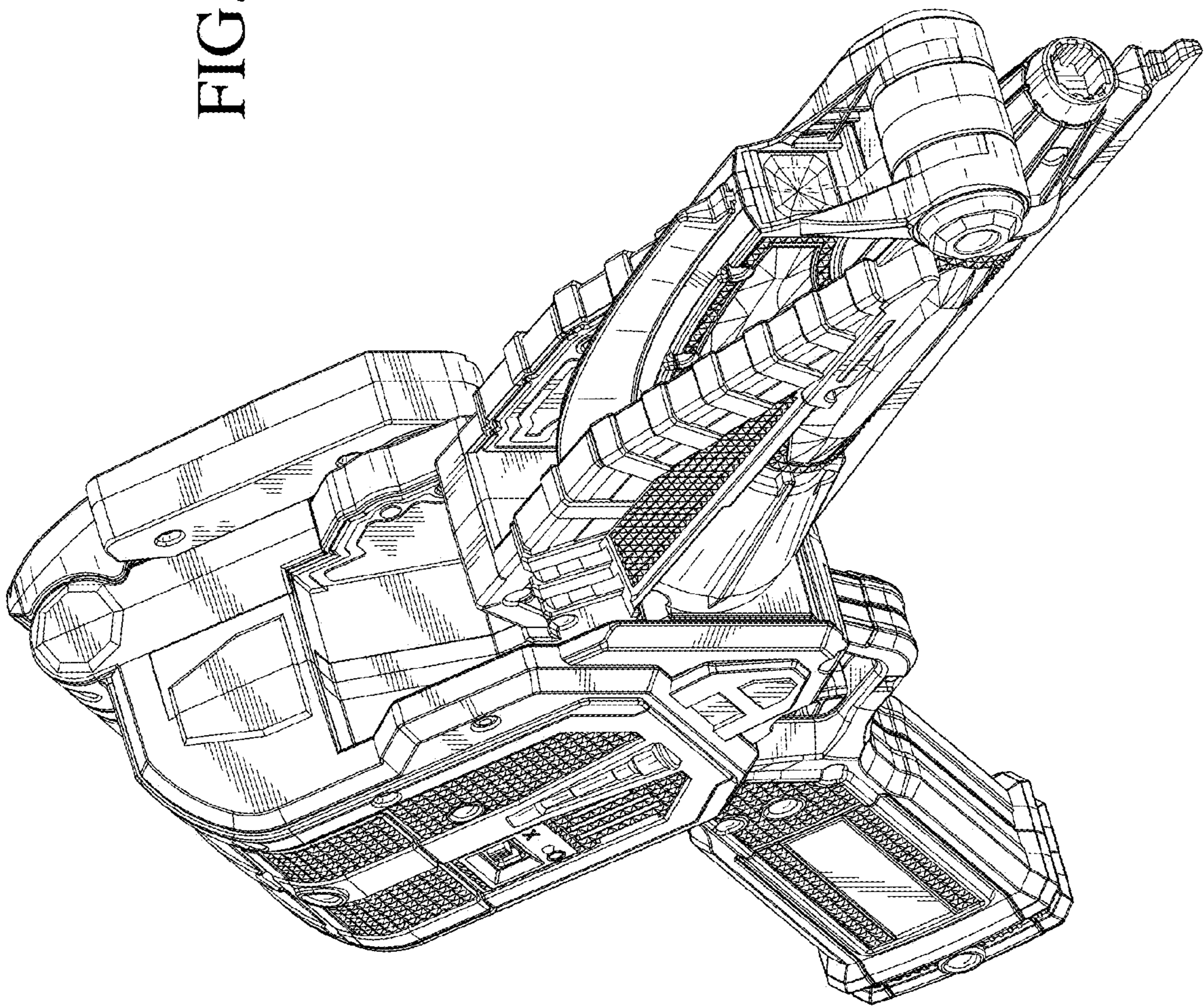


FIG. 12

FIG. 13



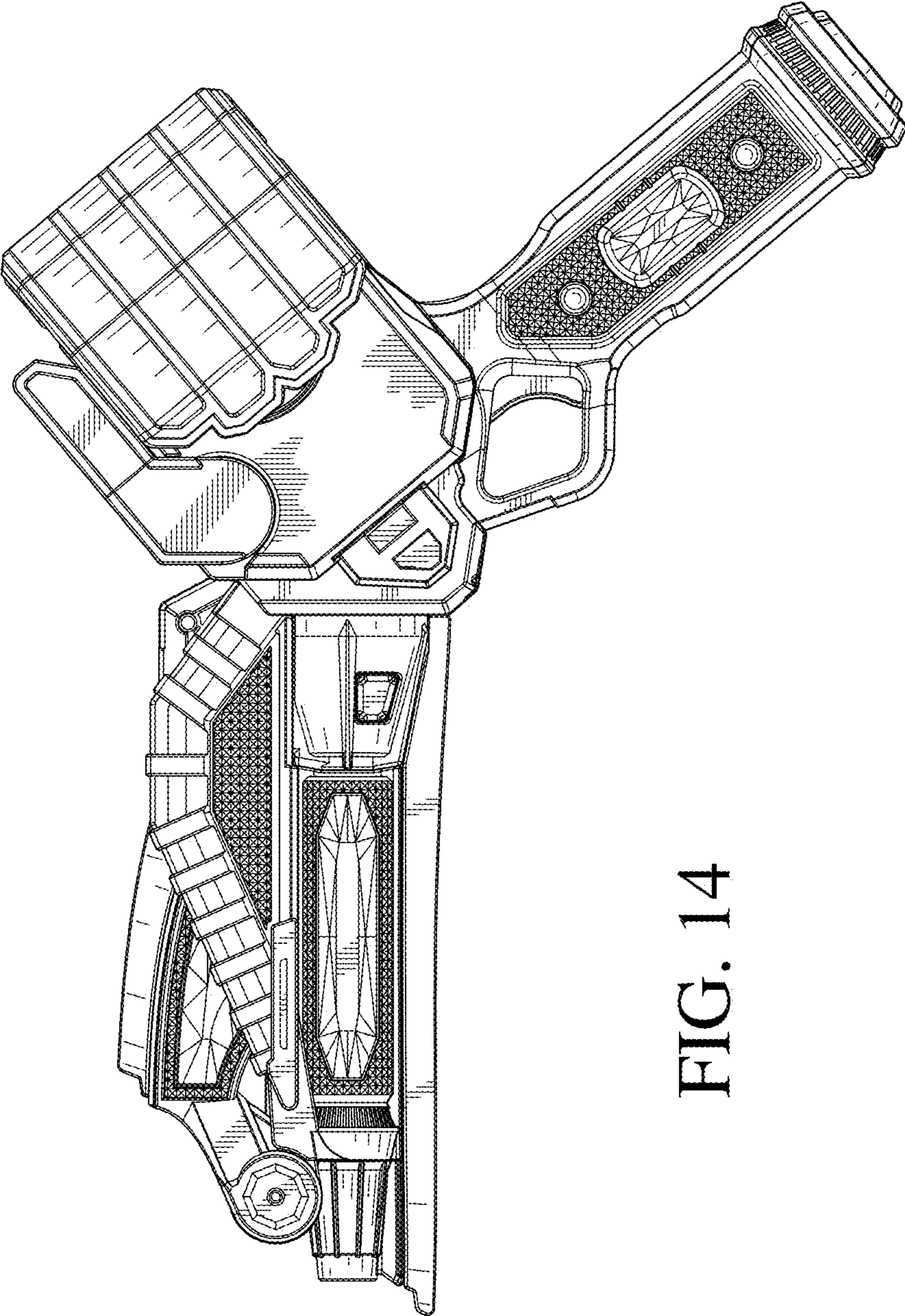


FIG. 14

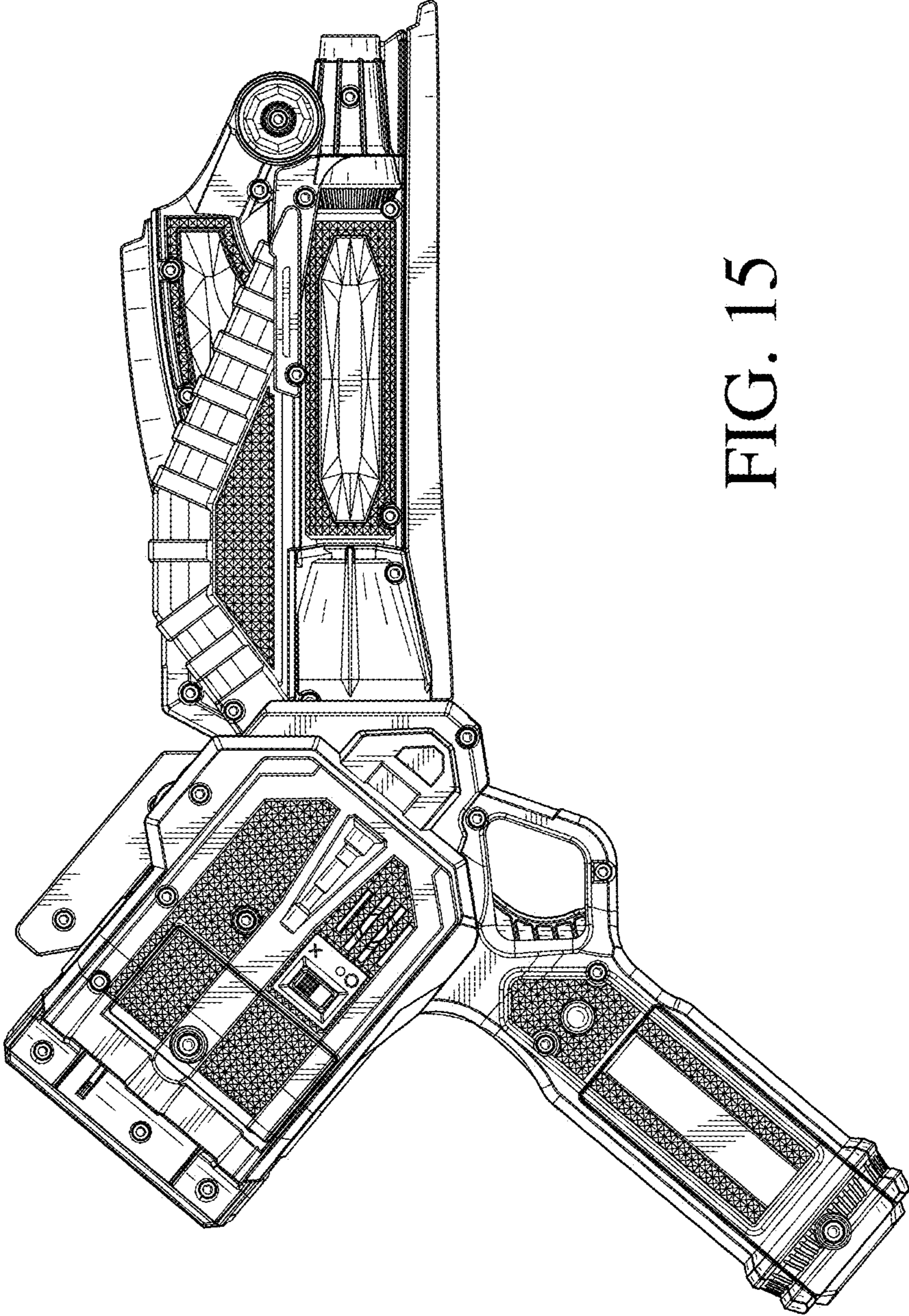


FIG. 15

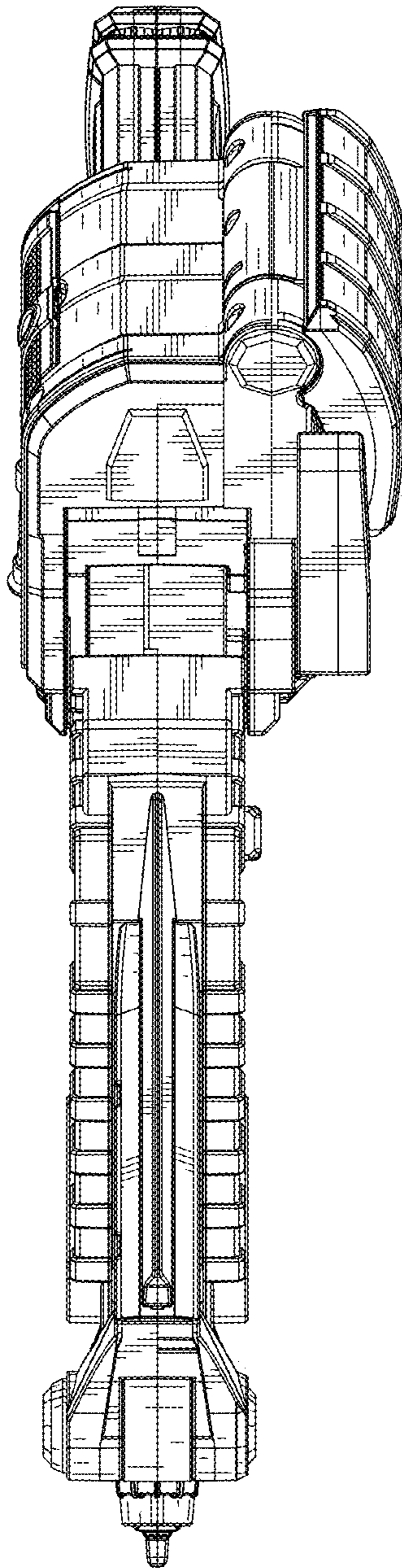


FIG. 16

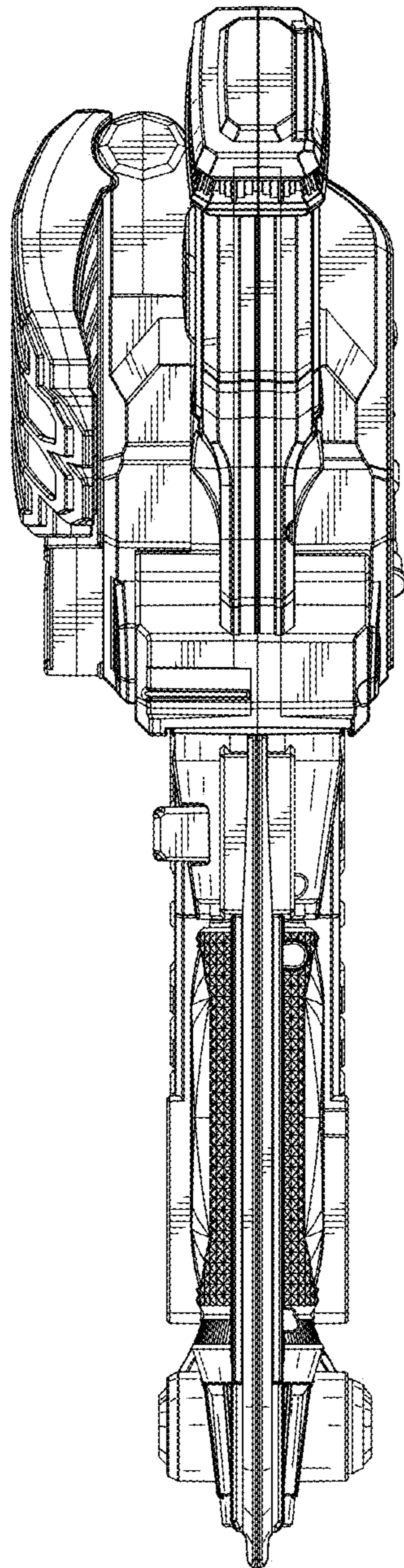


FIG. 17

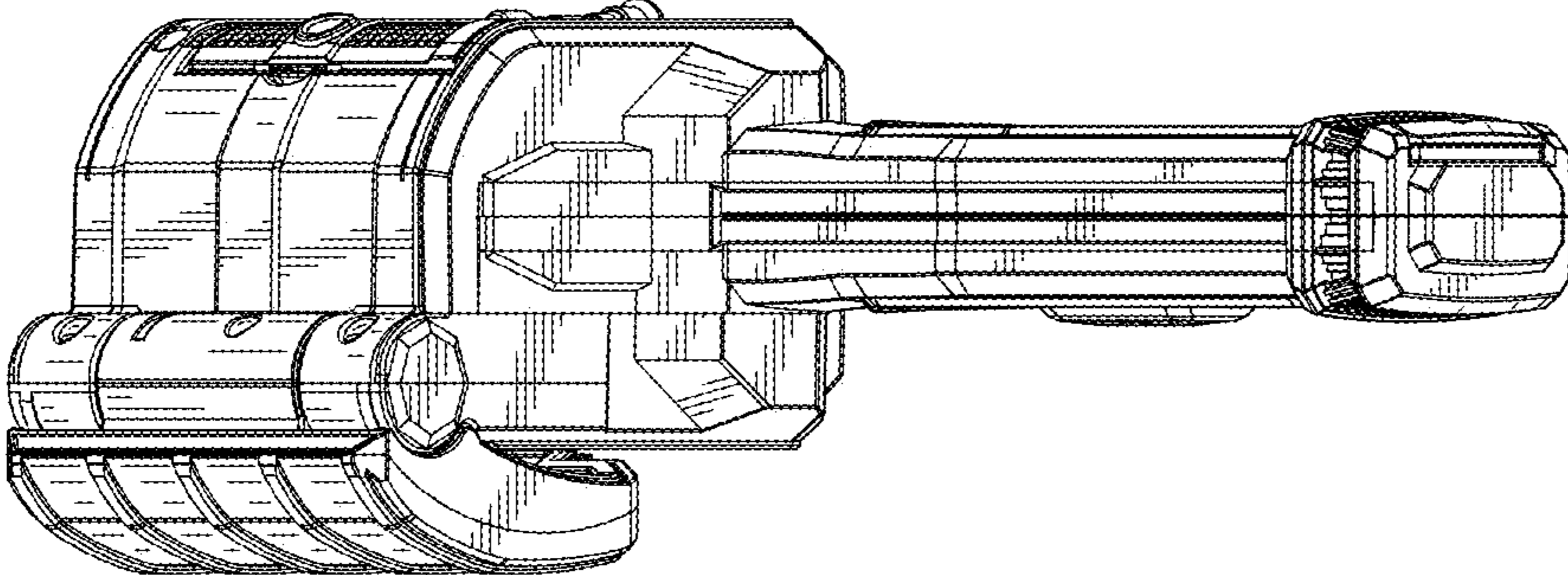


FIG. 18

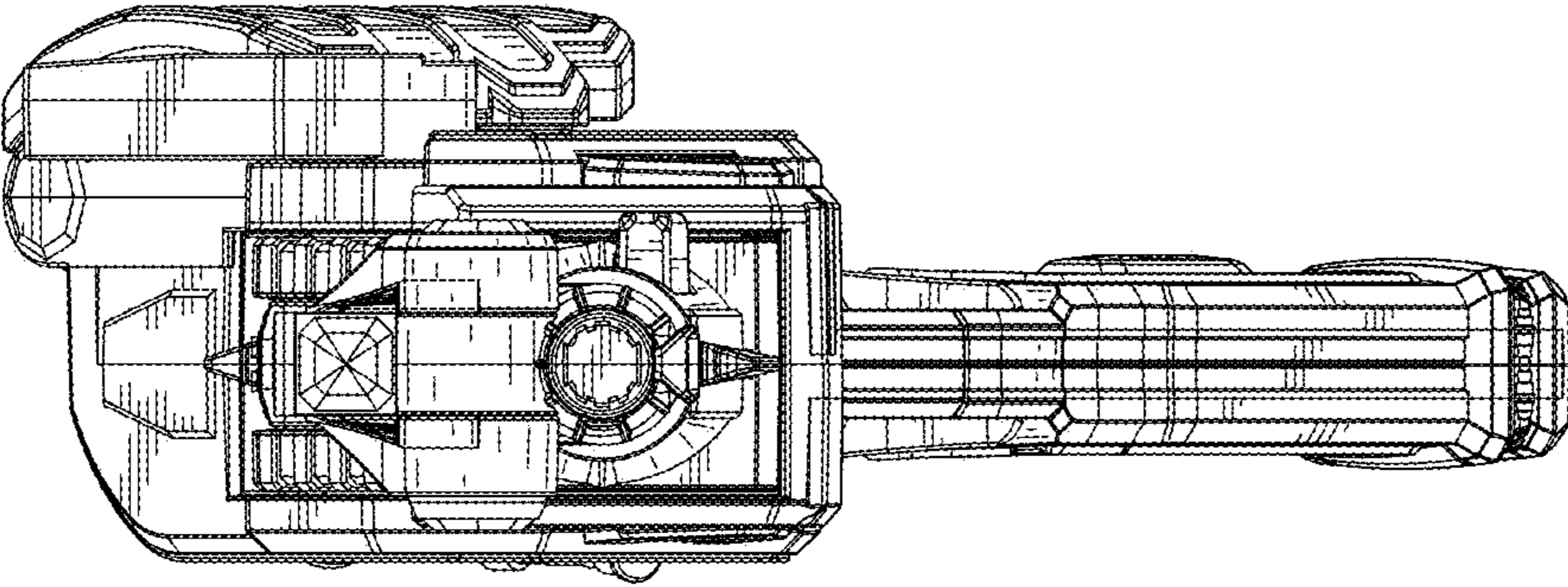


FIG. 19

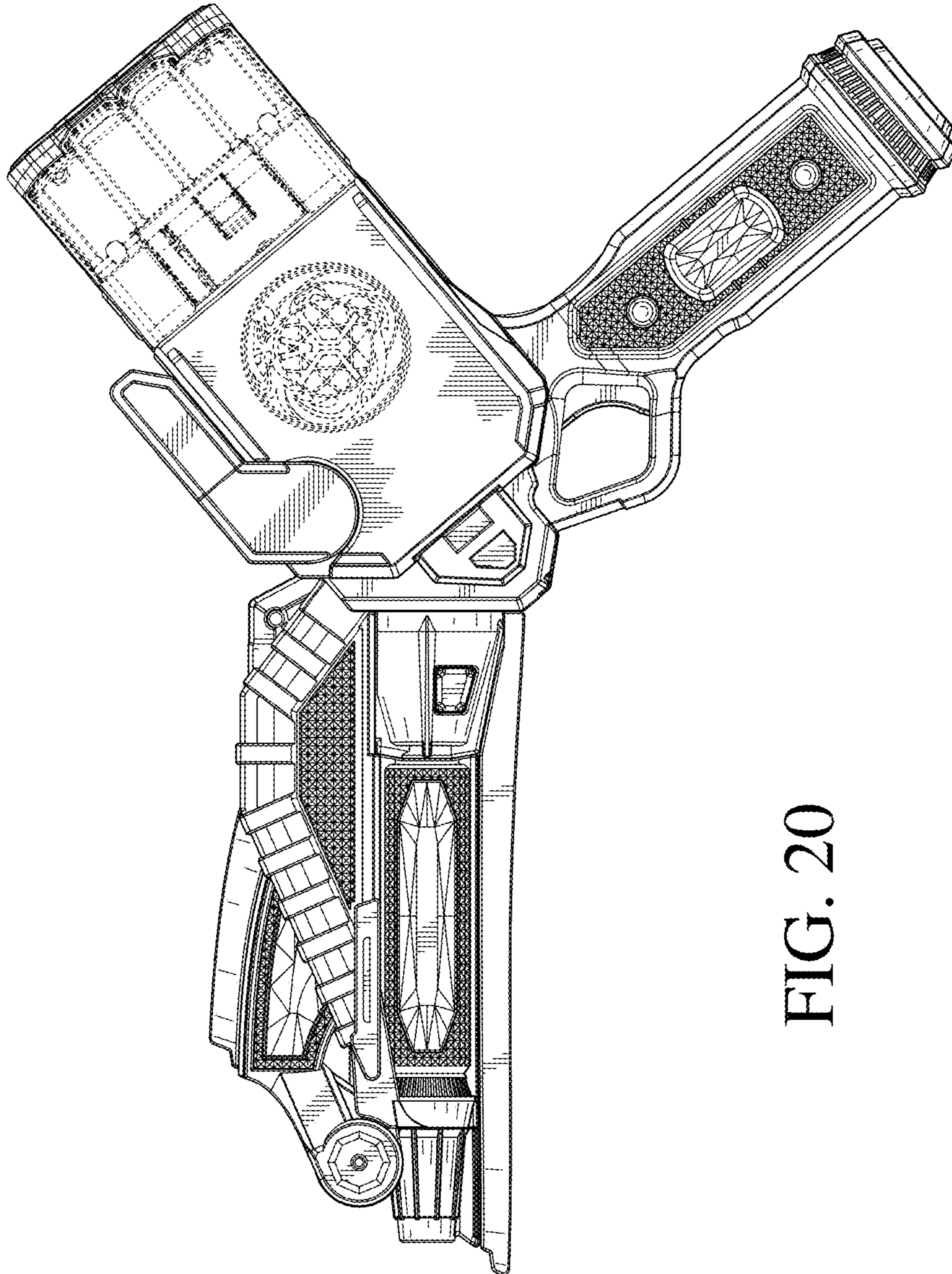


FIG. 20

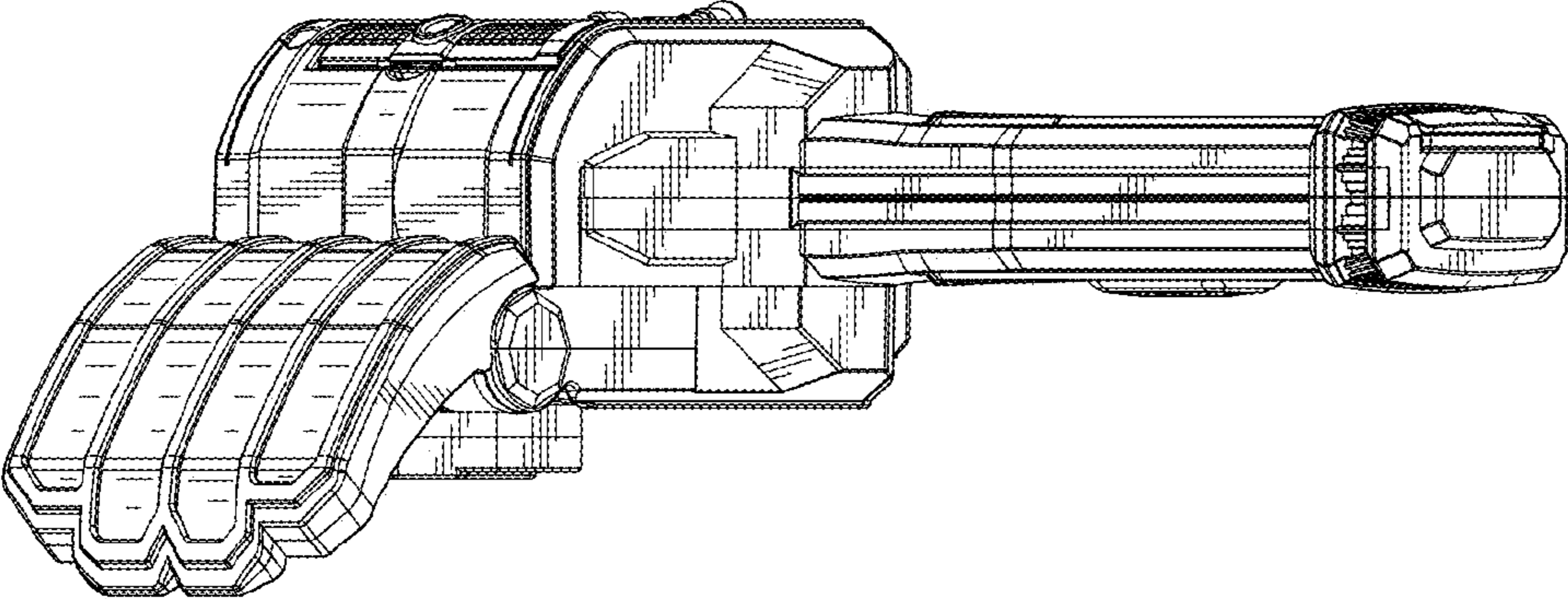


FIG. 21

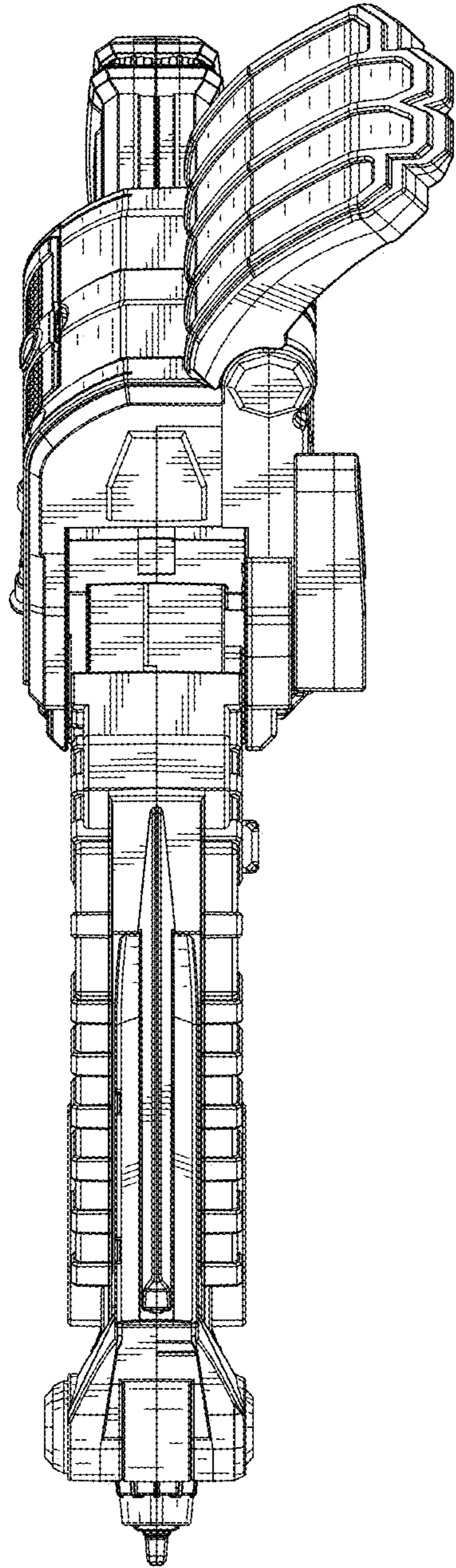


FIG. 22