



US00D706877S

(12) **United States Design Patent**
Norman et al.

(10) **Patent No.:** **US D706,877 S**
(45) **Date of Patent:** **** Jun. 10, 2014**

(54) **PITCH STANDOFF CONNECTOR COMPONENT FOR A CONSTRUCTION KIT**

D564,603 S * 3/2008 Glickman et al. D21/486
D581,993 S * 12/2008 Glickman et al. D21/486
7,942,717 B2 * 5/2011 Chou 446/91

(71) Applicant: **Innovation First, Inc.**, Greenville, TX (US)

* cited by examiner

(72) Inventors: **David Anthony Norman**, Greenville, TX (US); **Robert H. Mimplitch, III**, Rowlett, TX (US); **Paul David Copioli**, Rockwall, TX (US); **Gregory James Lavender**, Rockwall, TX (US); **Aren Calder Hill**, Rockford, IL (US); **Douglas Michael Galletti**, Allen, TX (US); **John Edward Vielkind-Neun**, Rockwall, TX (US); **Arthur Philip Dutra, IV**, Greenville, TX (US)

Primary Examiner — Cynthia M Chin

(74) *Attorney, Agent, or Firm* — Adam K. Sacharoff; Much Shelist

(73) Assignee: **Innovation First, Inc.**, Greenville, TX (US)

(57) **CLAIM**

The ornamental design for a pitch standoff connector component for a construction kit, as shown and described.

(**) Term: **14 Years**

DESCRIPTION

(21) Appl. No.: **29/451,635**

FIG. 1 is a front perspective view of a pitch standoff connector component for a construction kit in accordance with a First Embodiment;

(22) Filed: **Apr. 5, 2013**

FIG. 2 is a cross-sectional view of FIG. 1 taken of line 2-2 from FIG. 1;

(51) **LOC (10) Cl.** **21-01**

FIG. 3 is a rear perspective view of FIG. 1;

(52) **U.S. Cl.**

FIG. 4 is a top side perspective view of FIG. 1;

USPC **D21/487**

FIG. 5 is a bottom side view of FIG. 1;

(58) **Field of Classification Search**

USPC D21/484-505; D8/382; 273/153, 156; 446/69, 85, 102-128; 434/259

FIG. 6 is a right side view of FIG. 1;

See application file for complete search history.

FIG. 7 is a left side view of FIG. 1;

(56) **References Cited**

U.S. PATENT DOCUMENTS

2,885,822 A * 5/1959 Onanian 446/121
D236,521 S * 8/1975 Christiansen D21/658
D254,752 S * 4/1980 Gabriel D21/486
D276,830 S * 12/1984 Petersson D21/487
D281,440 S * 11/1985 Petersson D21/487
D334,953 S * 4/1993 Kawahara et al. D21/487
D550,308 S * 9/2007 Glickman et al. D21/486
D553,202 S * 10/2007 Glickman et al. D21/486

FIG. 8 is a front side view of FIG. 1;

FIG. 9 is a rear side view of FIG. 1;

FIG. 10 is a front perspective view of a pitch standoff connector component for a construction kit in accordance with a Second Embodiment;

FIG. 11 is a sectional view of FIG. 10 taken of line 11-11 from FIG. 10;

FIG. 12 is a rear perspective view of FIG. 10;

FIG. 13 is a bottom side view of FIG. 10;

FIG. 14 is top side perspective view of FIG. 10;

FIG. 15 is a right side view of FIG. 10;

FIG. 16 is a left side view of FIG. 10;

FIG. 17 is a front side view of FIG. 10;

FIG. 18 is a rear side view of FIG. 10;

FIG. 19 is a front perspective view of a pitch standoff connector component for a construction kit in accordance with a Third Embodiment;

FIG. 20 is a cross-sectional view of FIG. 19 taken of line 20-20 from FIG. 19;

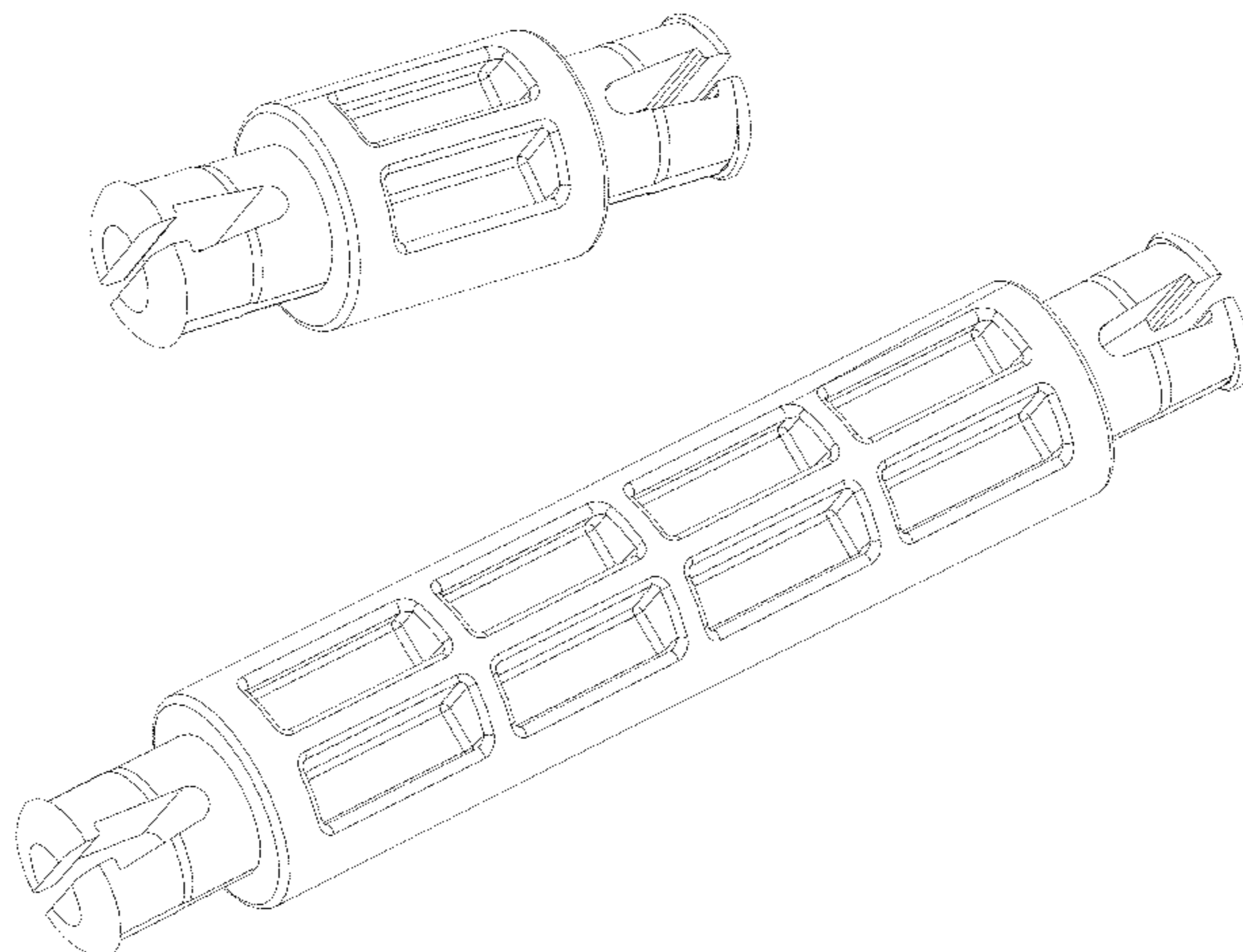


FIG. 21 is a rear perspective view of FIG. 19;
FIG. 22 is a top side perspective view of FIG. 19;
FIG. 23 is a bottom side view of FIG. 19;
FIG. 24 is a right side view of FIG. 19;
FIG. 25 is a left side view of FIG. 19;
FIG. 26 is a front side view of FIG. 19;
FIG. 27 is a rear side view of FIG. 19;
FIG. 28 is a front perspective view of a pitch standoff connector component for a construction kit in accordance with a Fourth Embodiment;
FIG. 29 is a sectional view of FIG. 28 taken of line 29-29 from FIG. 28;
FIG. 30 is a rear perspective view of FIG. 28;
FIG. 31 is a top side perspective view of FIG. 28;
FIG. 32 is a bottom side view of FIG. 28;
FIG. 33 is a right side view of FIG. 28;
FIG. 34 is a left side view of FIG. 28;

FIG. 35 is a front side view of FIG. 28;
FIG. 36 is a rear side view of FIG. 28;
FIG. 37 is a front perspective view of a pitch standoff connector component for a construction kit in accordance with a Fifth Embodiment;
FIG. 38 is a sectional view of FIG. 37 taken of line 38-38 from FIG. 37;
FIG. 39 is a rear perspective view of FIG. 37;
FIG. 40 is a top side perspective view of FIG. 37;
FIG. 41 is a bottom side view of FIG. 37;
FIG. 42 is a right side view of FIG. 37;
FIG. 43 is a left side view of FIG. 37;
FIG. 44 is a front side view of FIGS. 37; and,
FIG. 45 is a rear side view of FIG. 37.
The broken lines are for environmental purposes only and form no part of the claimed design.

1 Claim, 45 Drawing Sheets

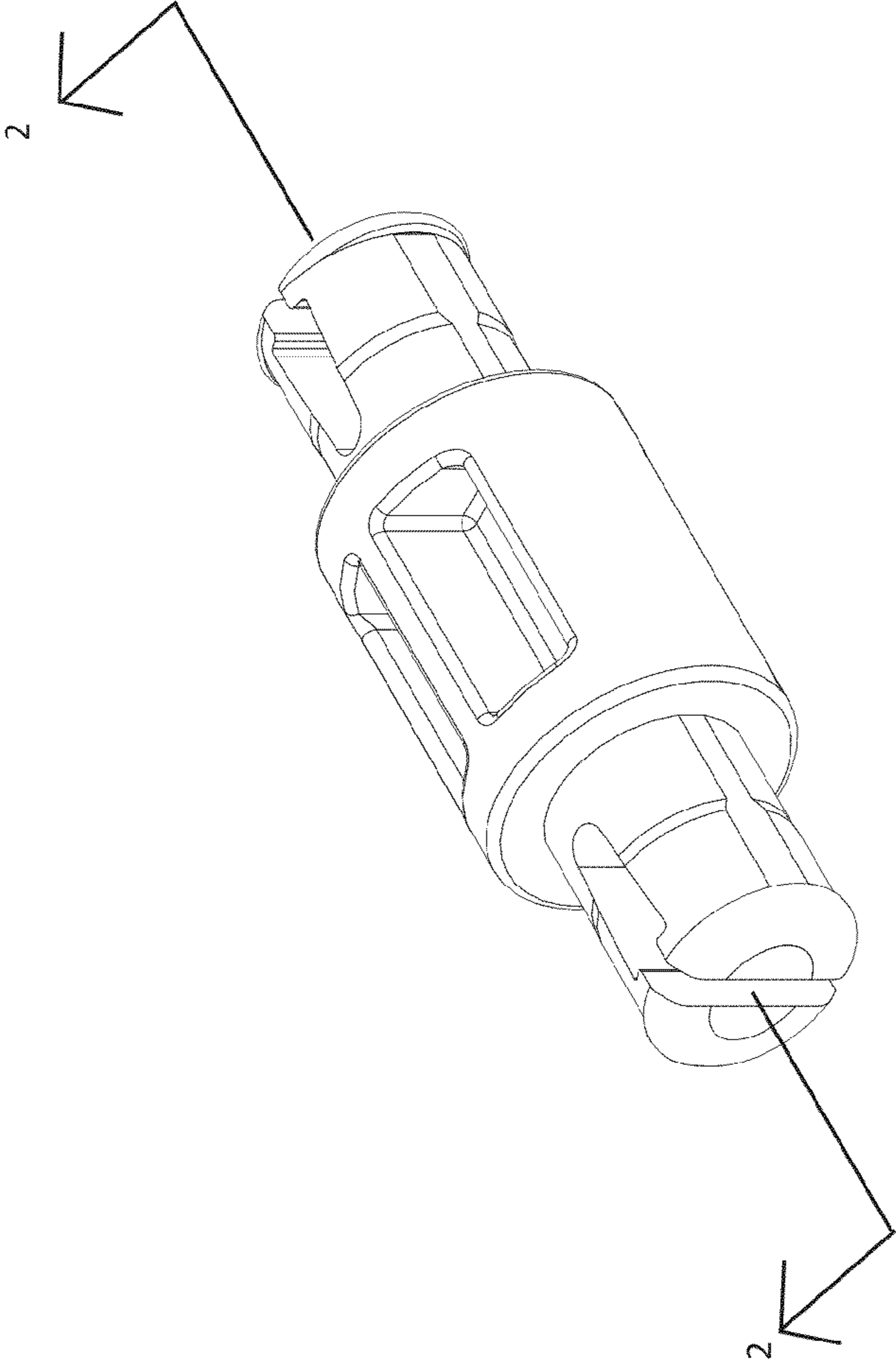


FIGURE 1

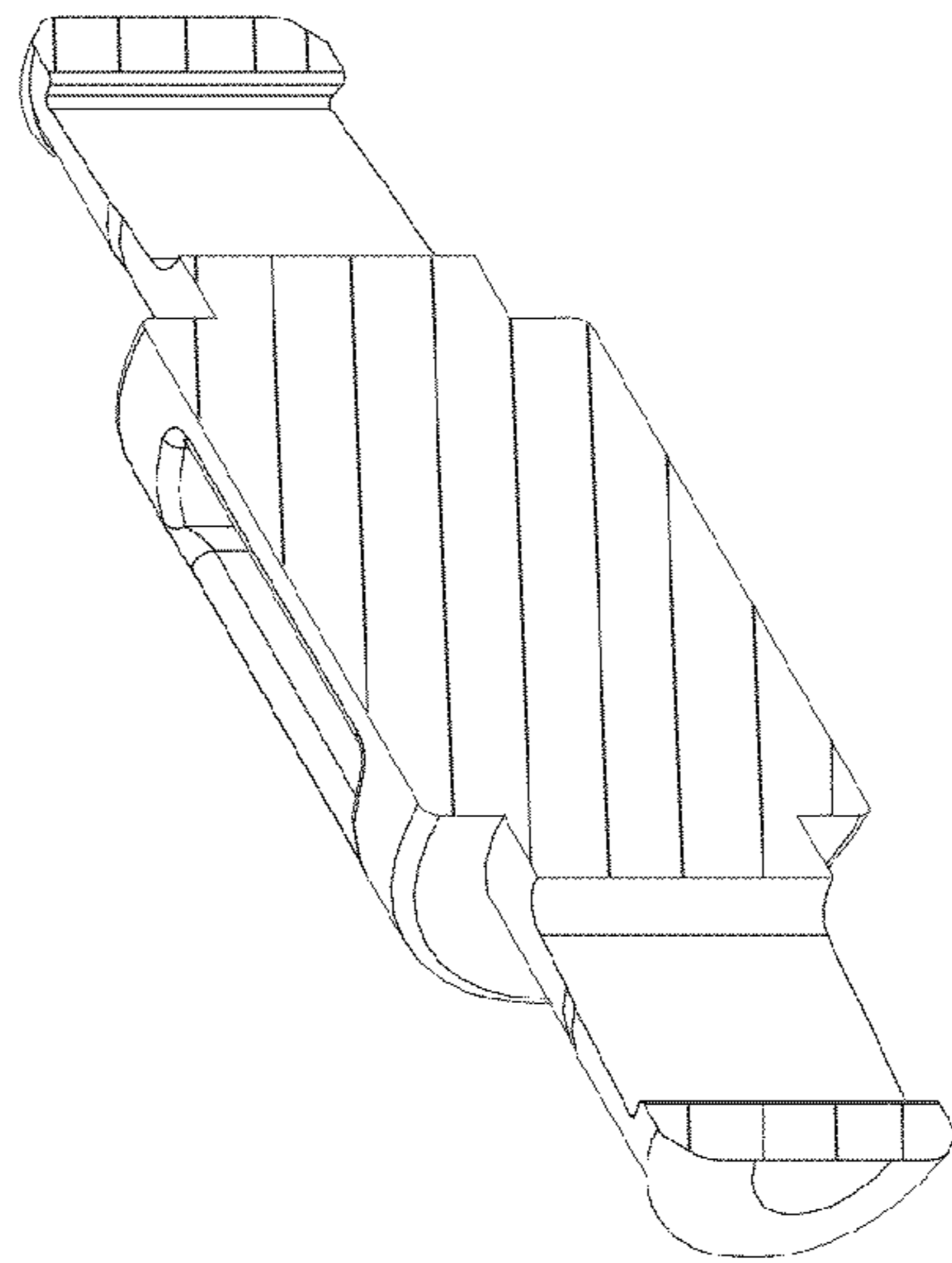


FIGURE 2

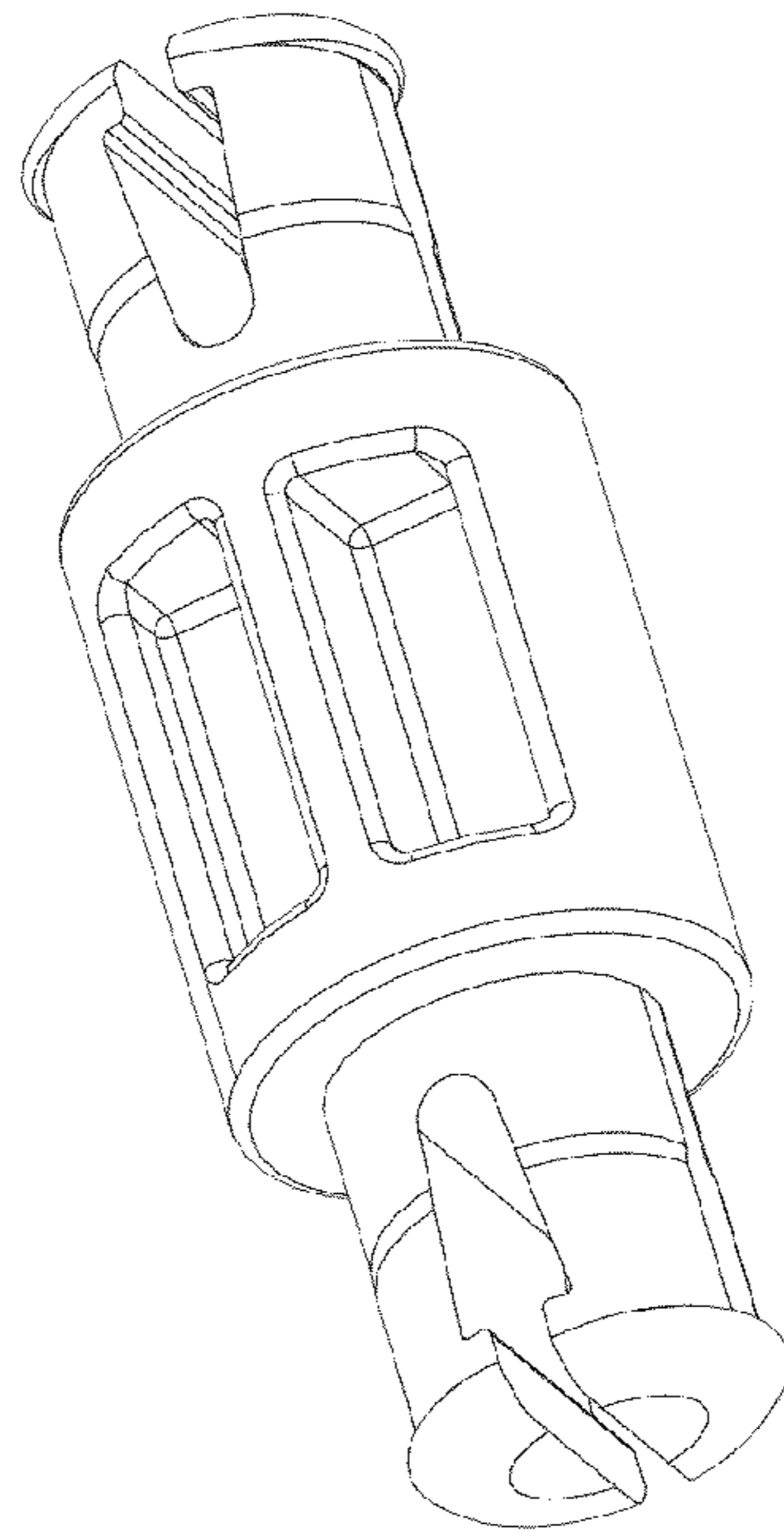


FIGURE 3

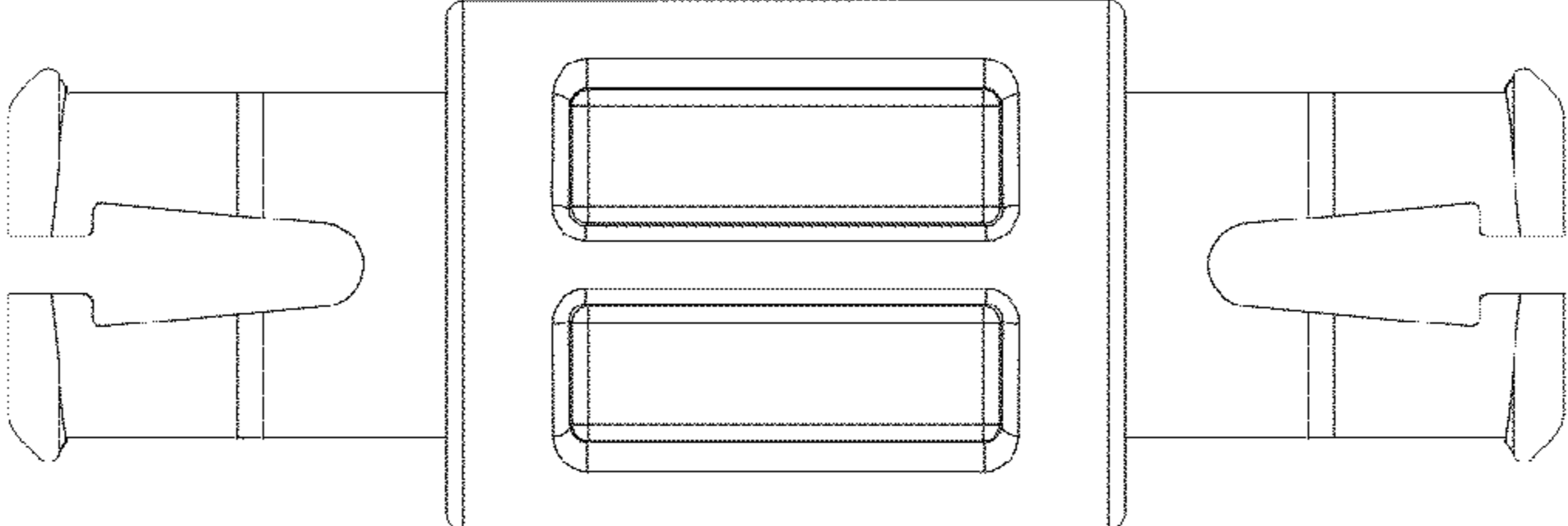


FIGURE 4

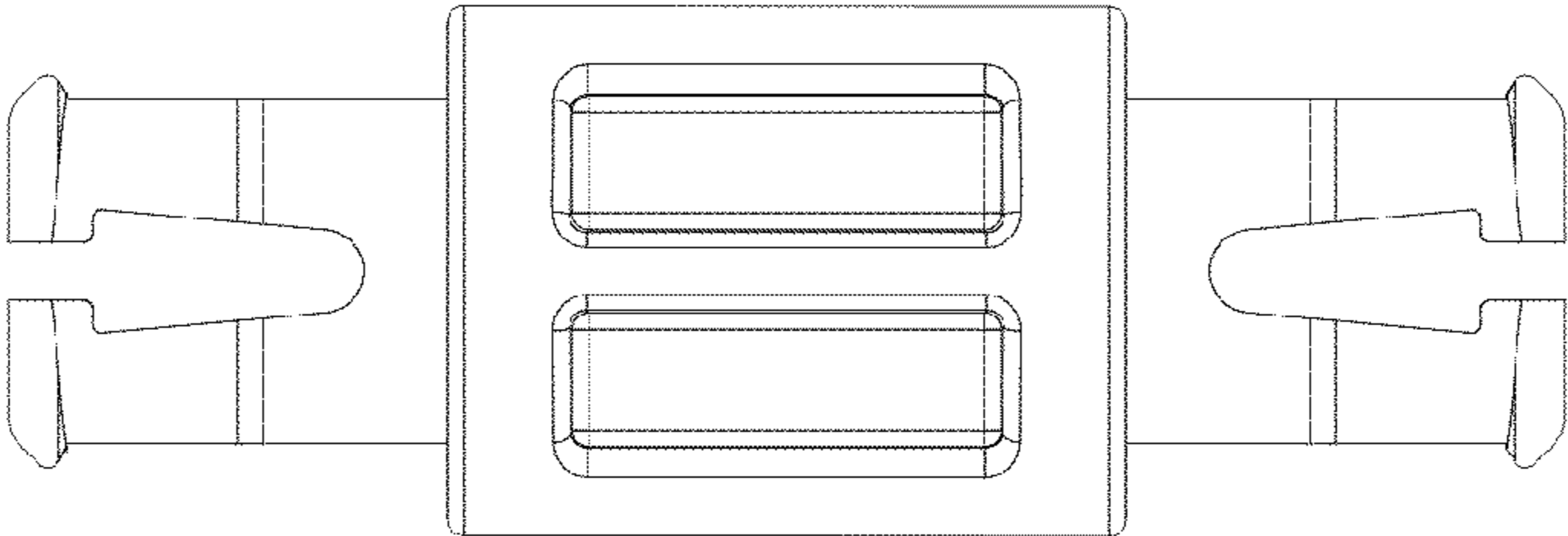


FIGURE 5

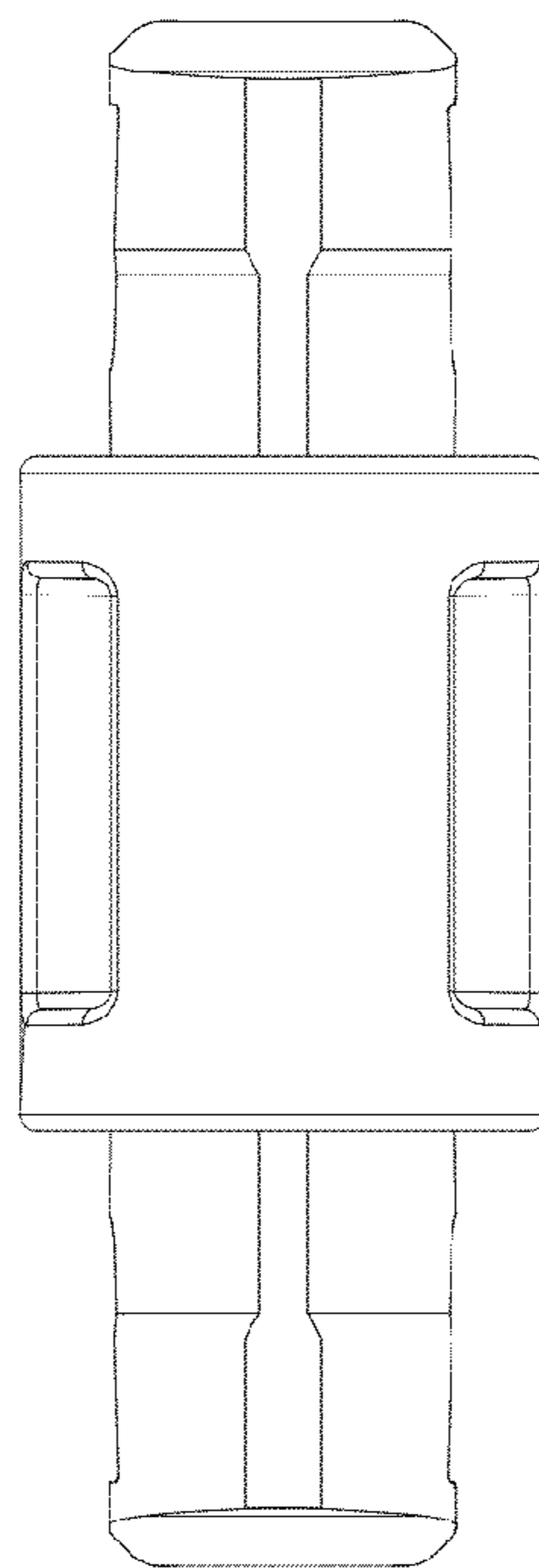


FIGURE 6

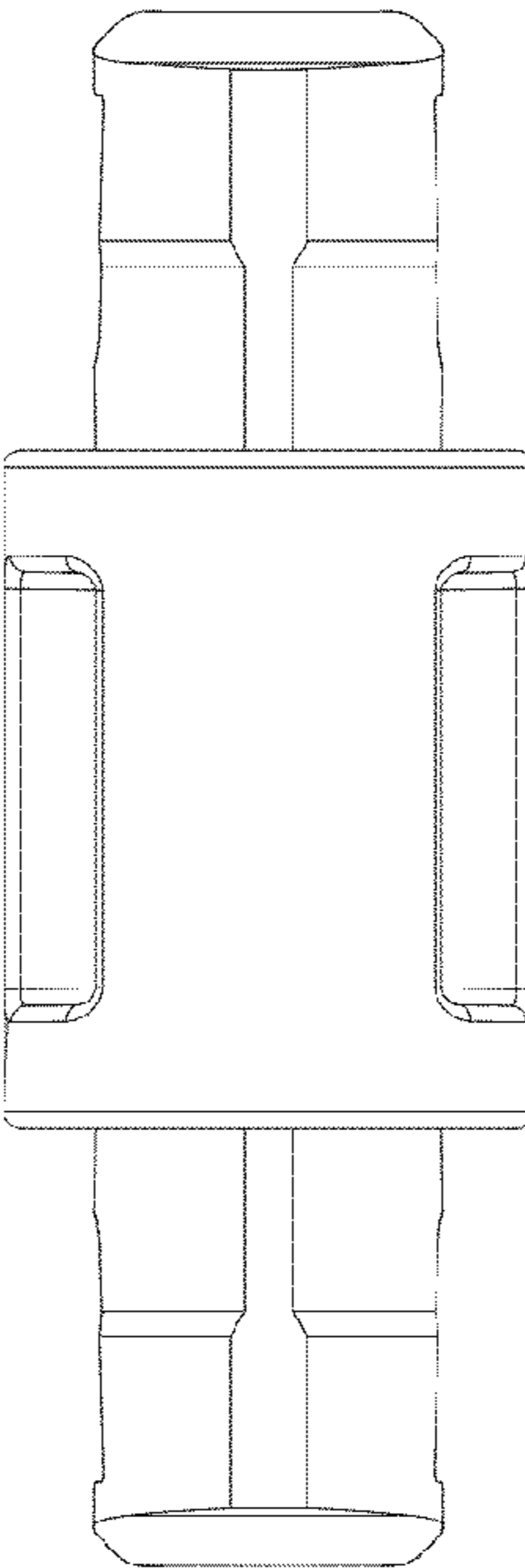


FIGURE 7

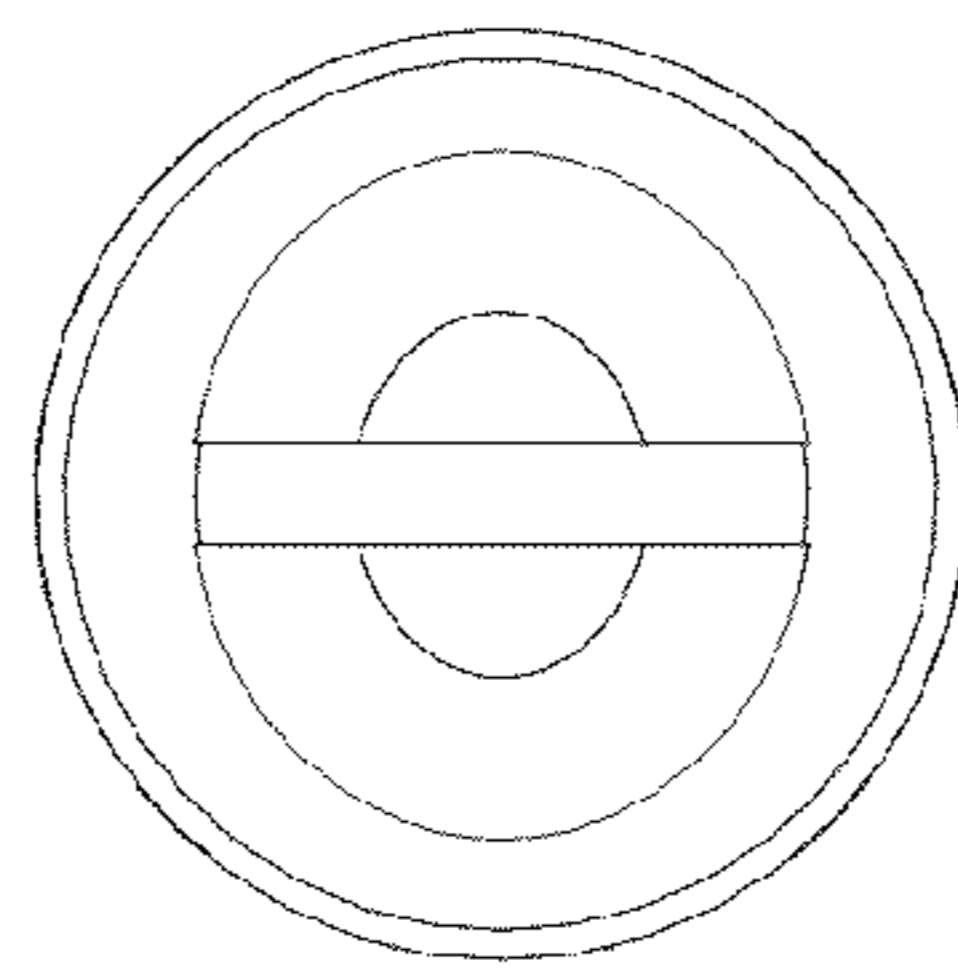


FIGURE 8

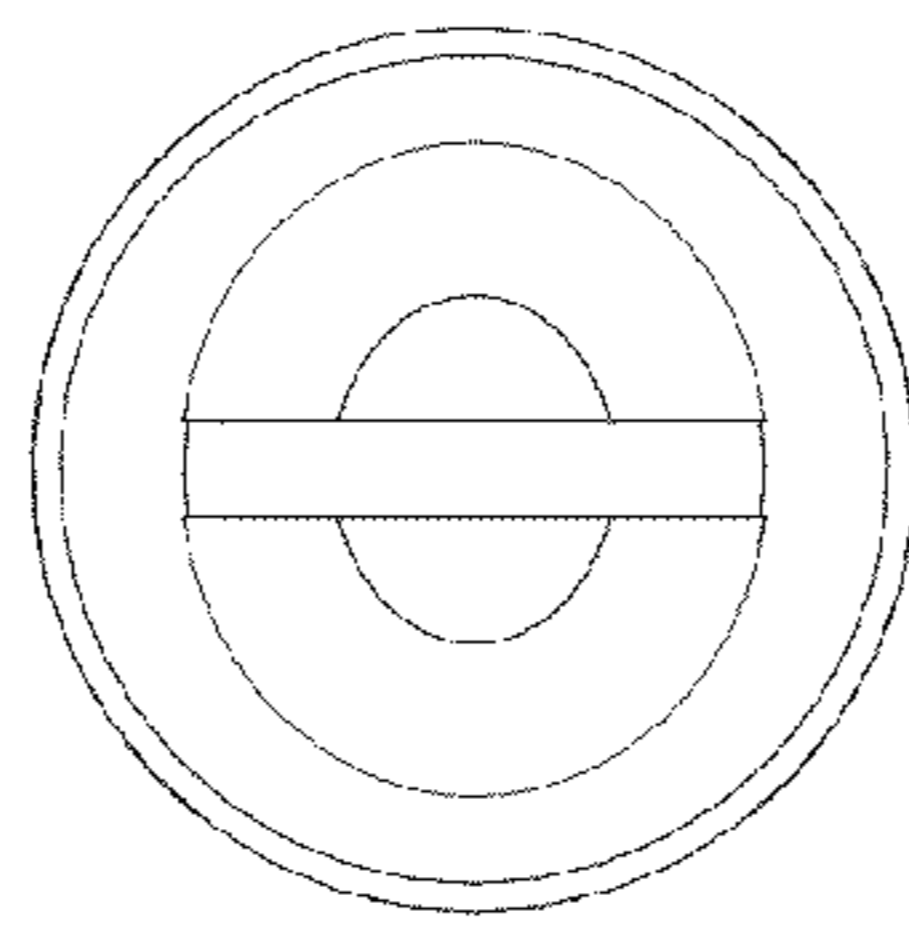


FIGURE 9

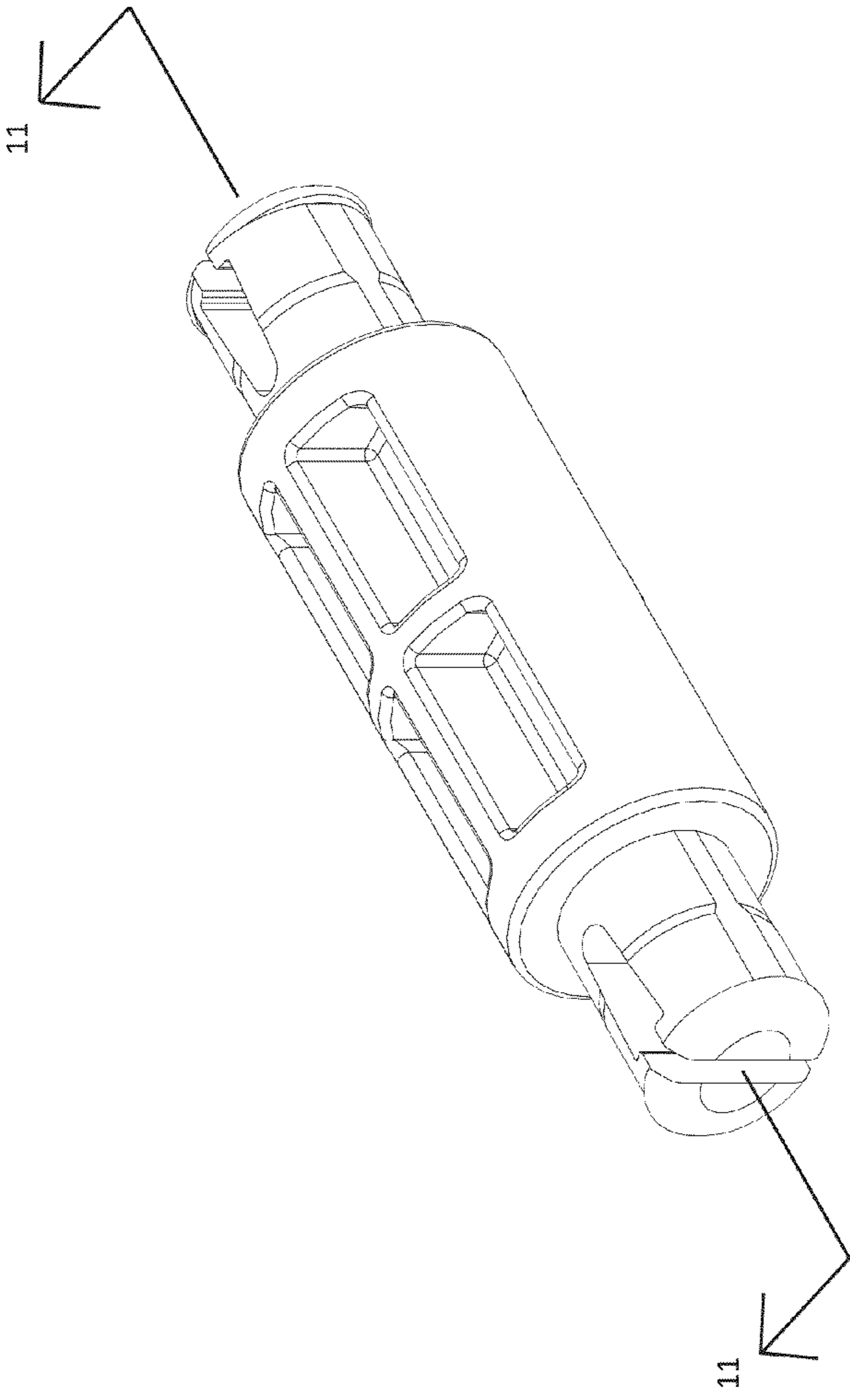


FIGURE 10

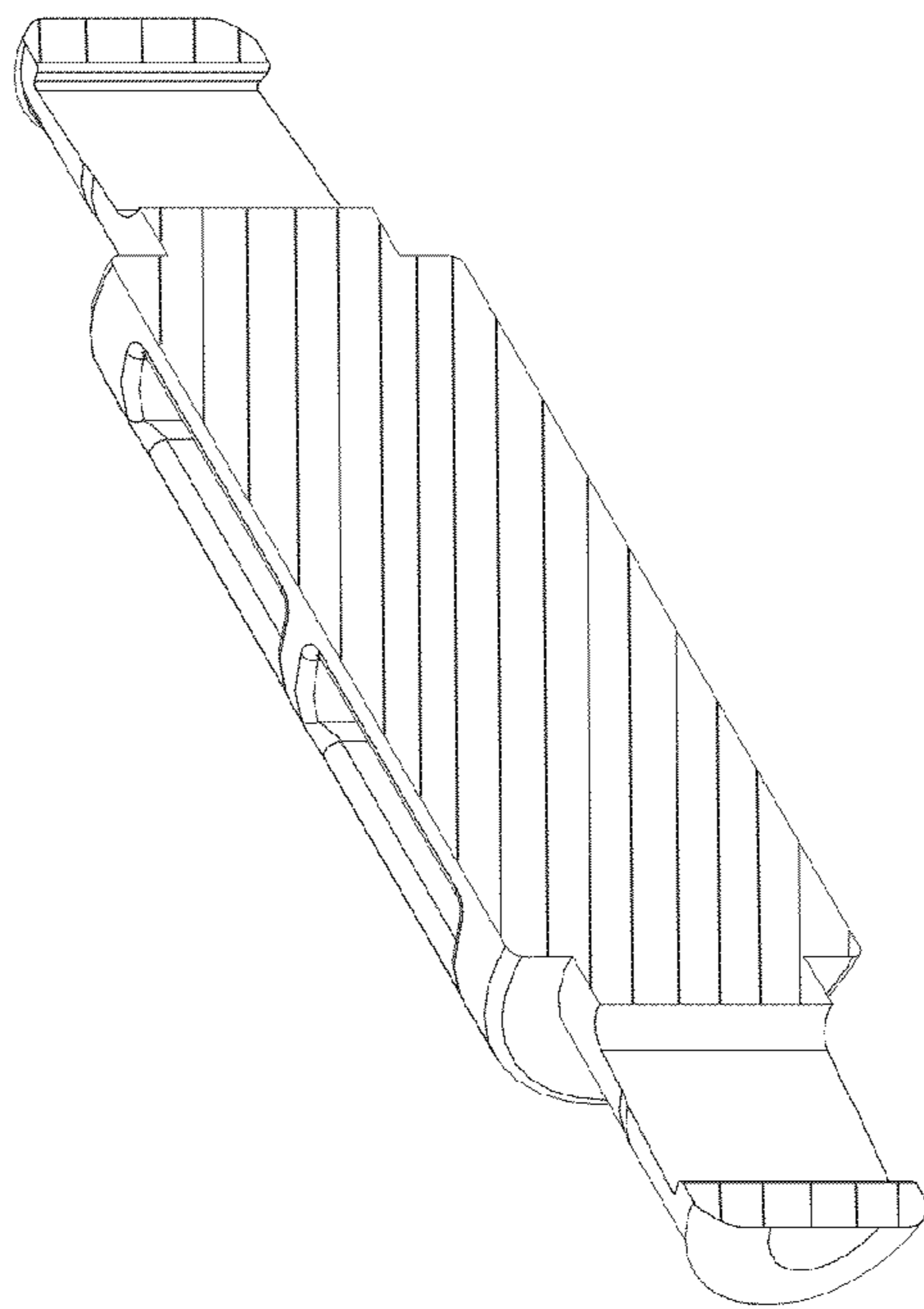


FIGURE 11

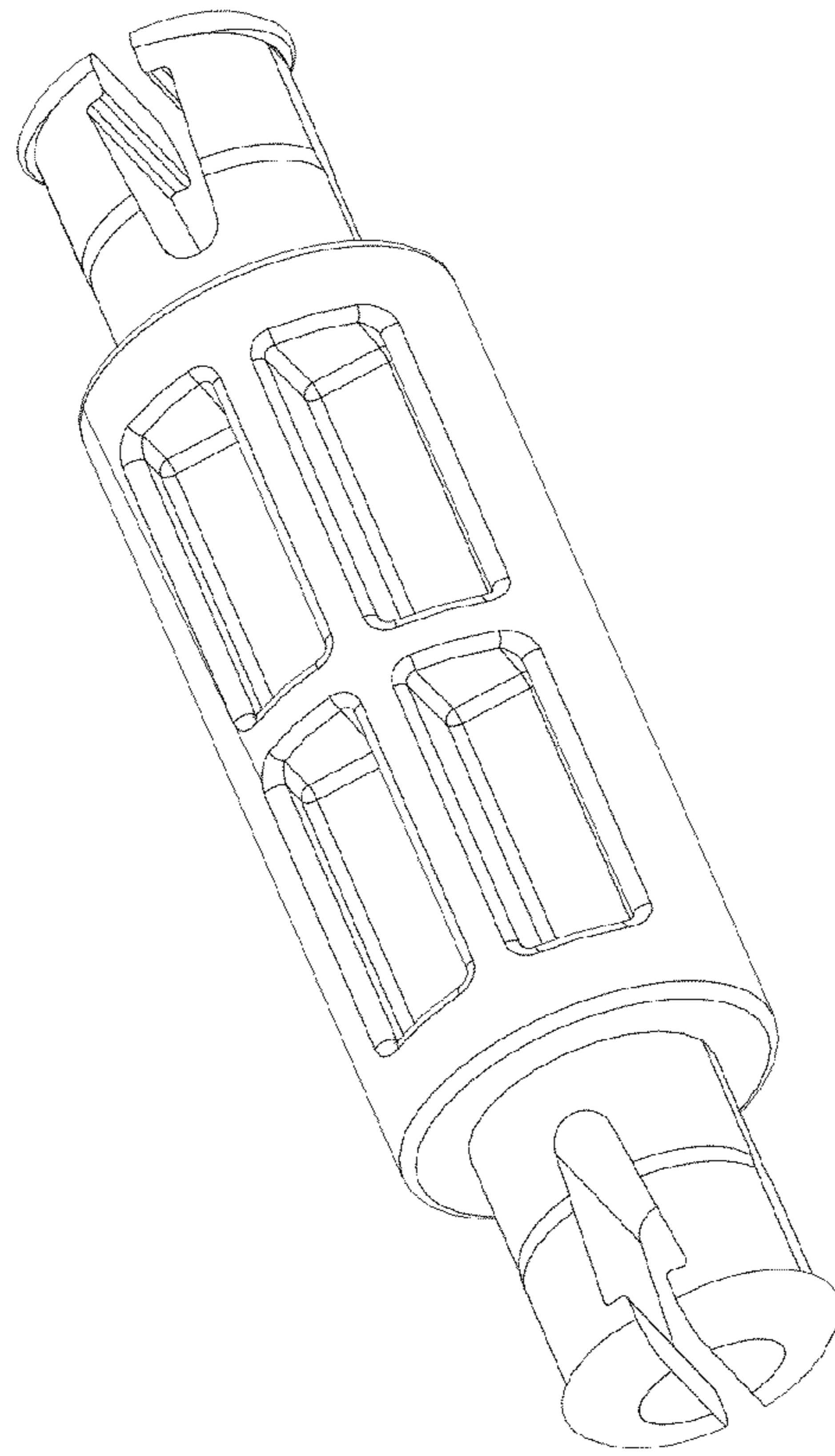


FIGURE 12

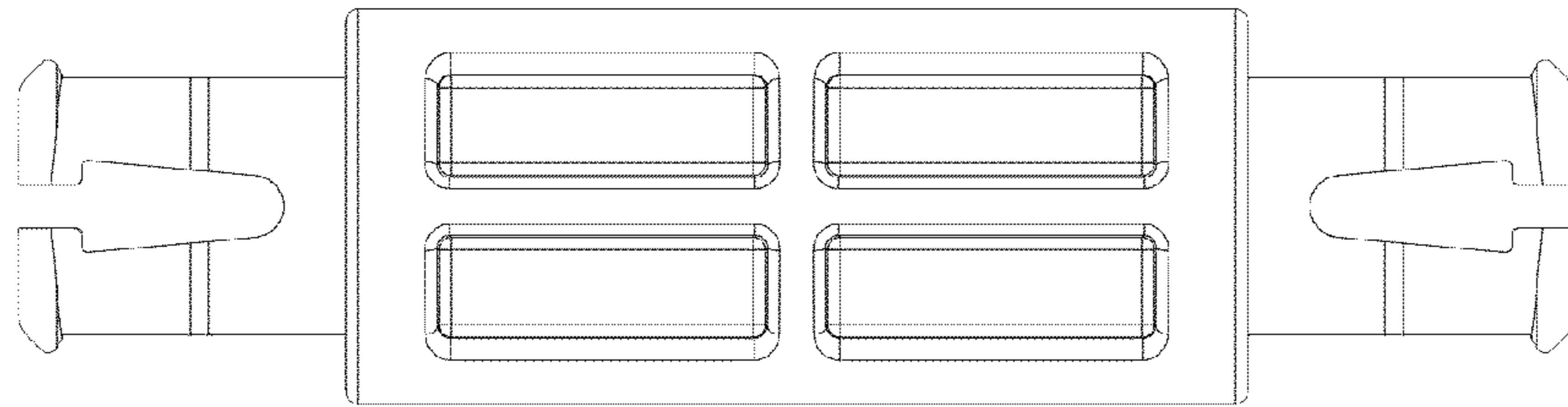


FIGURE 13

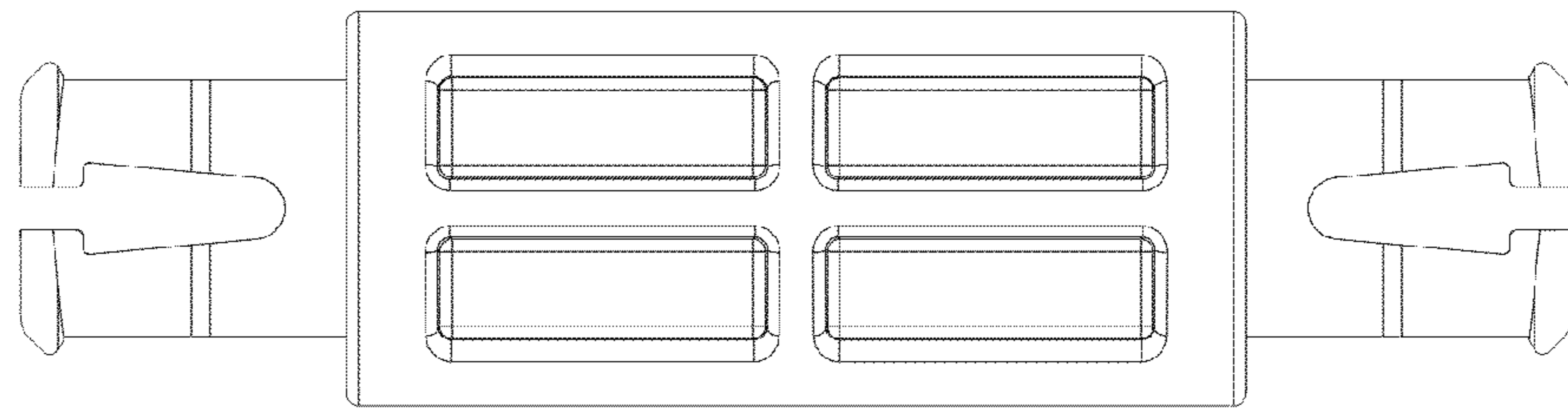


FIGURE 14

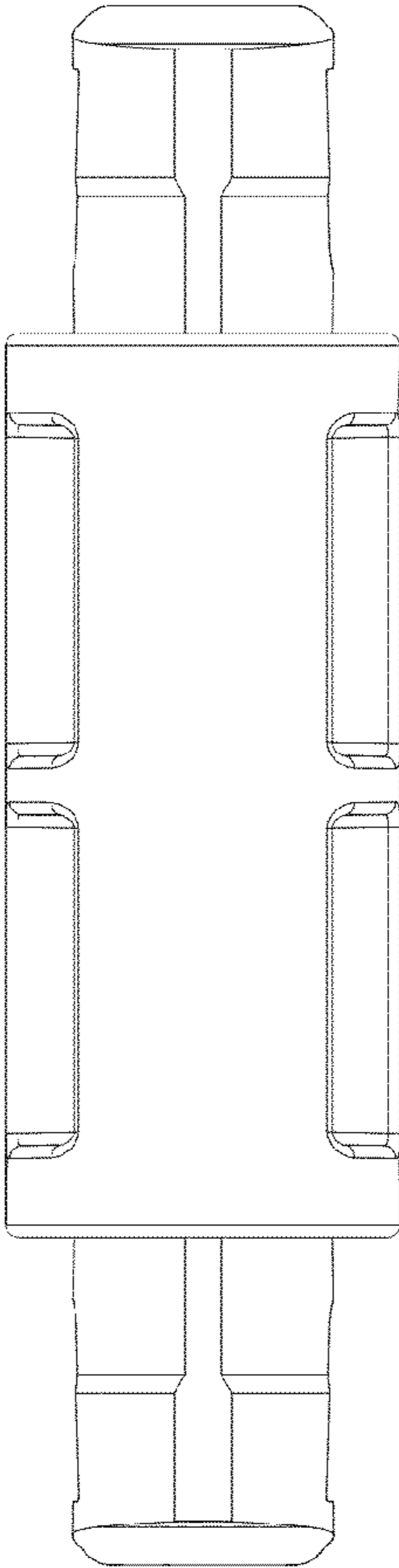


FIGURE 15

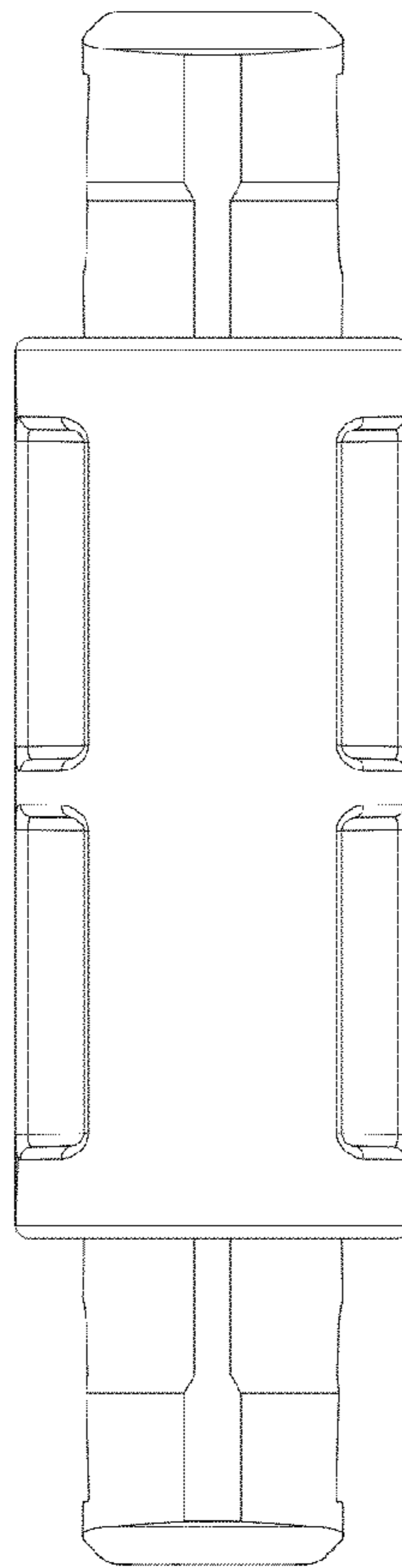


FIGURE 16

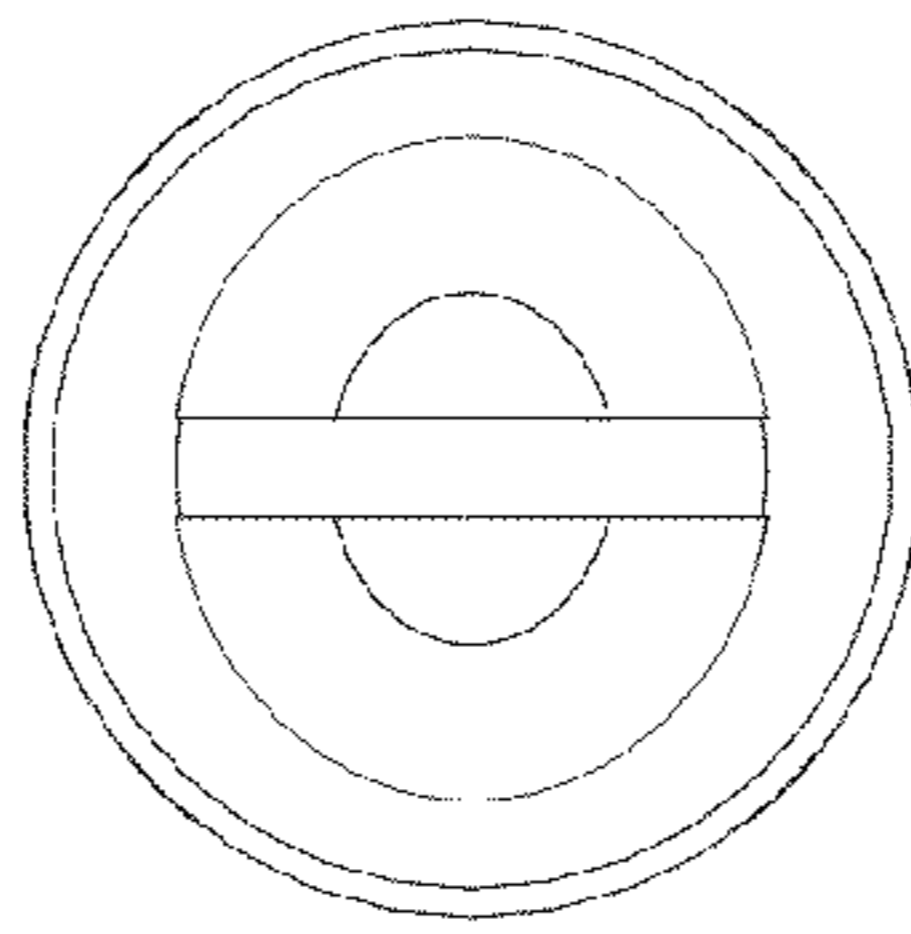


FIGURE 17

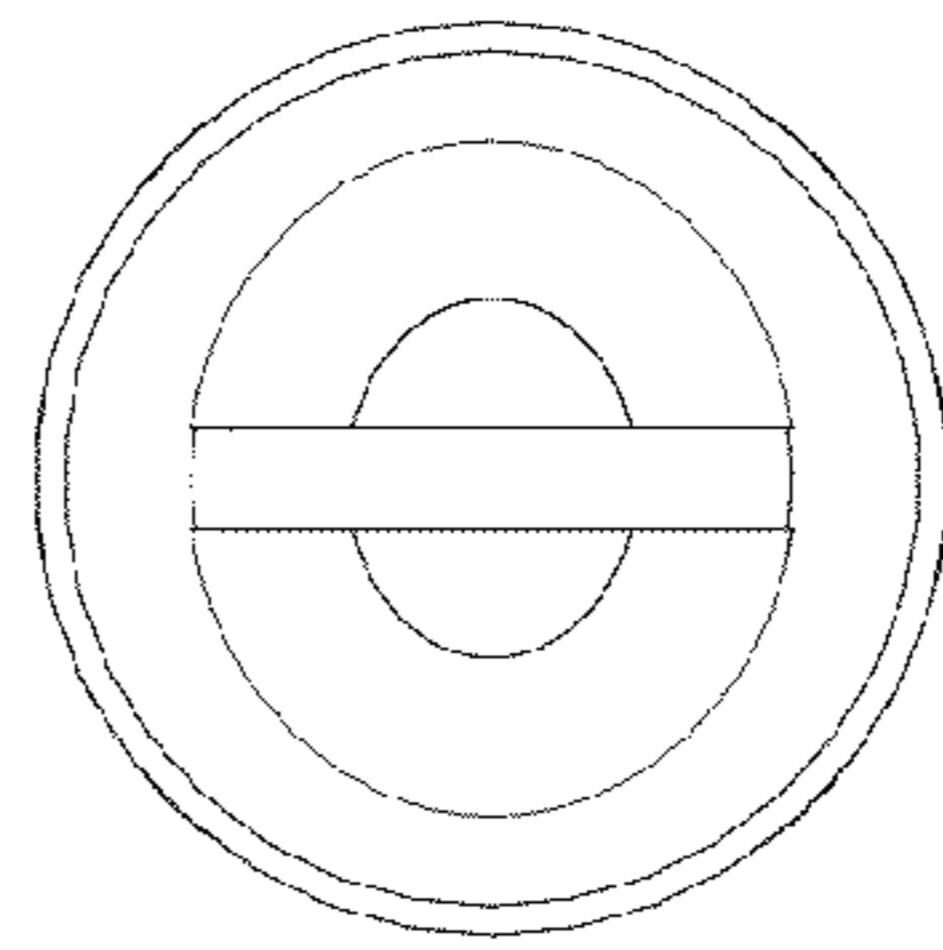


FIGURE 18

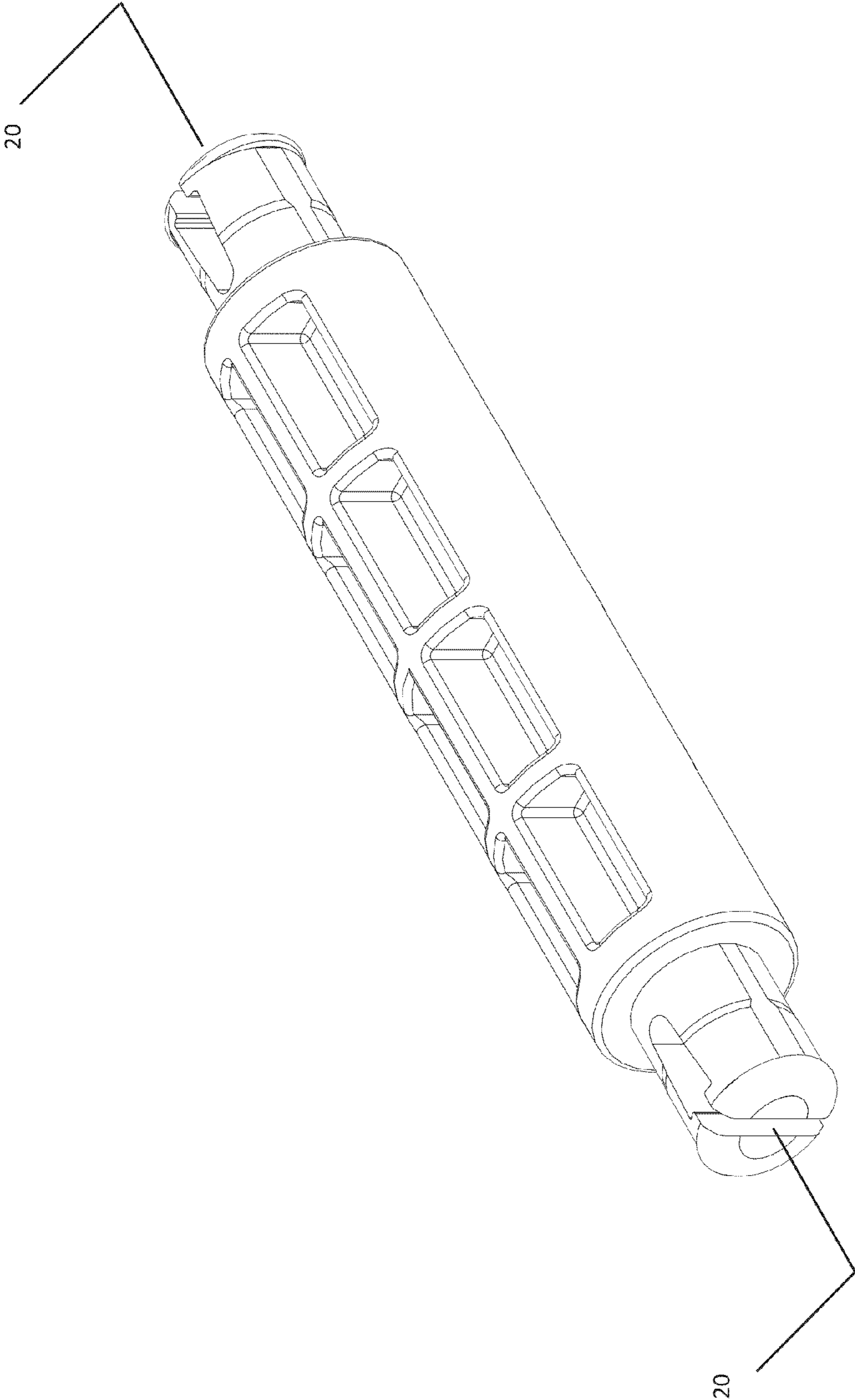


FIGURE 19

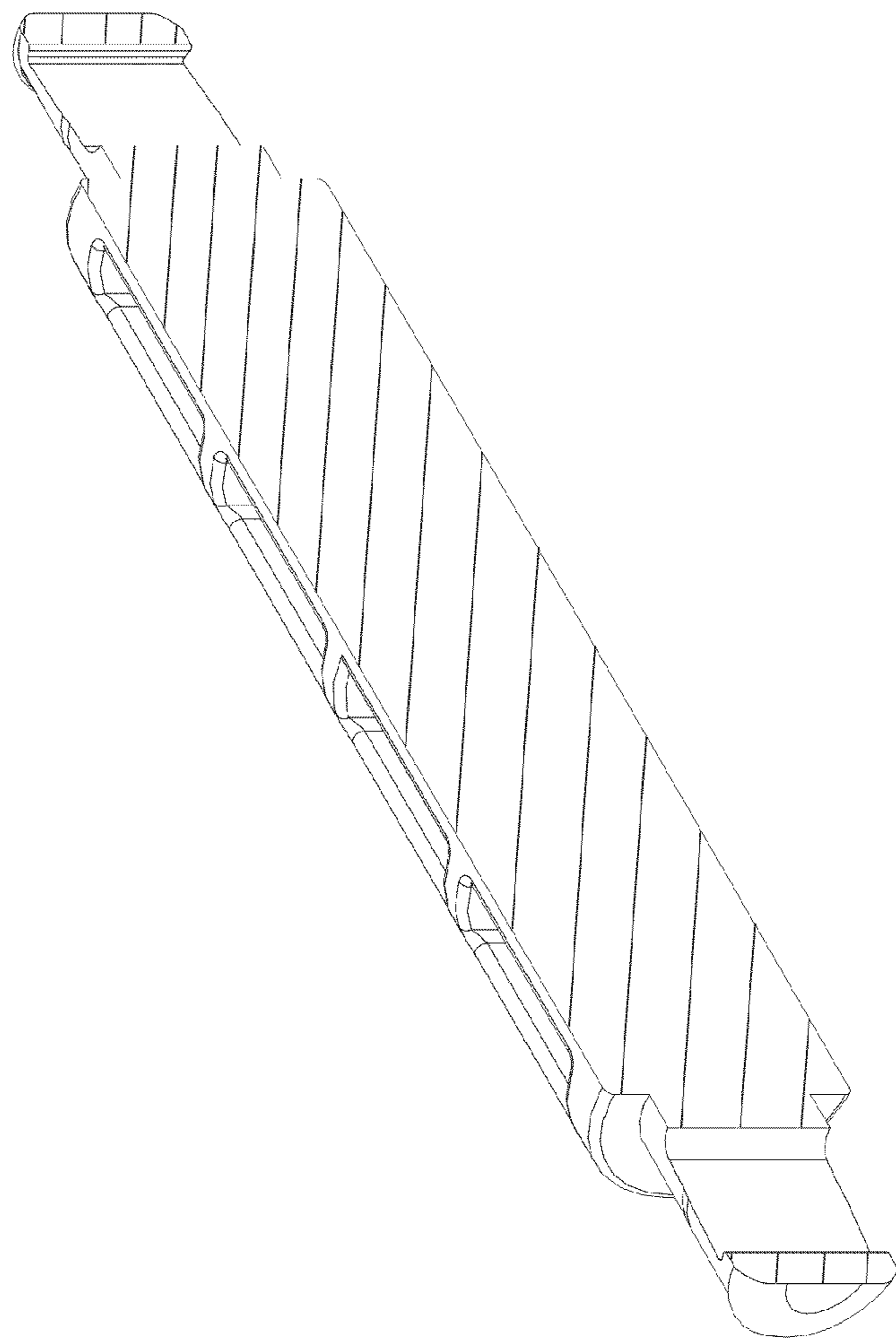


FIGURE 20

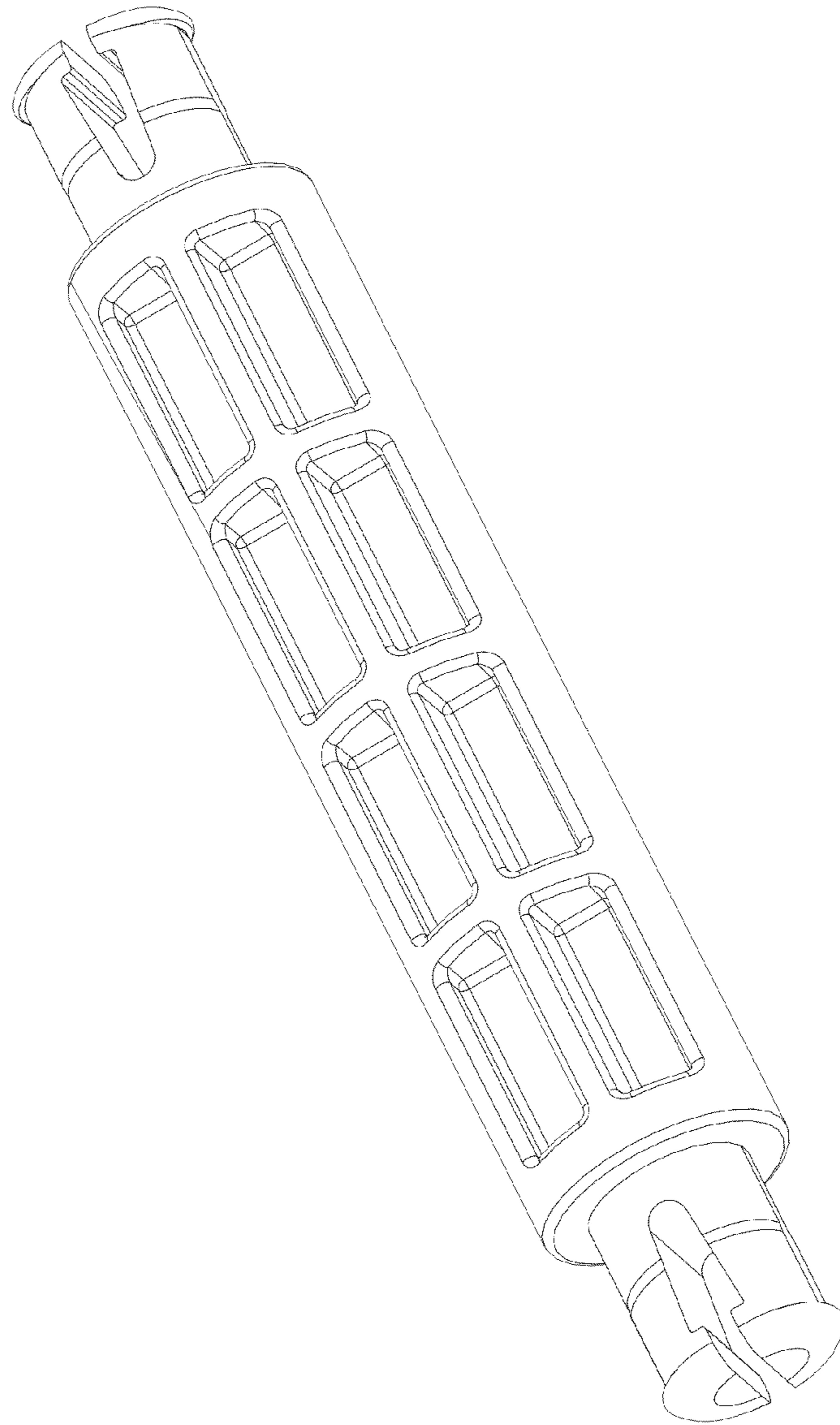


FIGURE 21

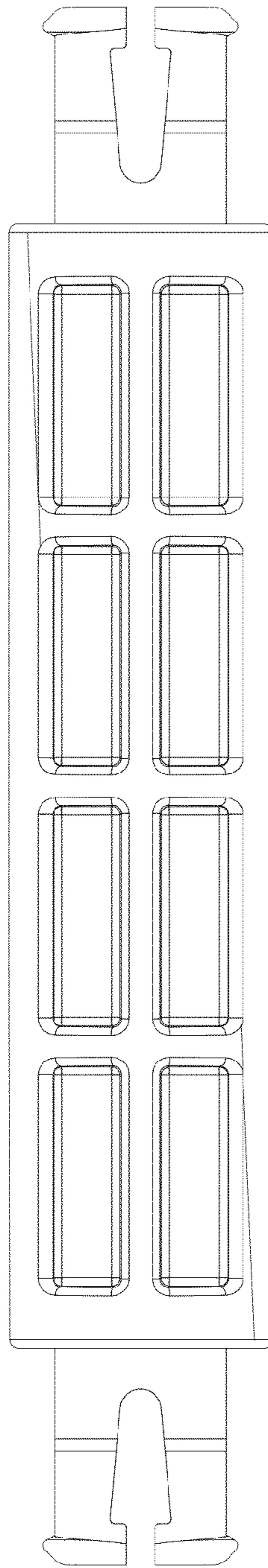


FIGURE 22

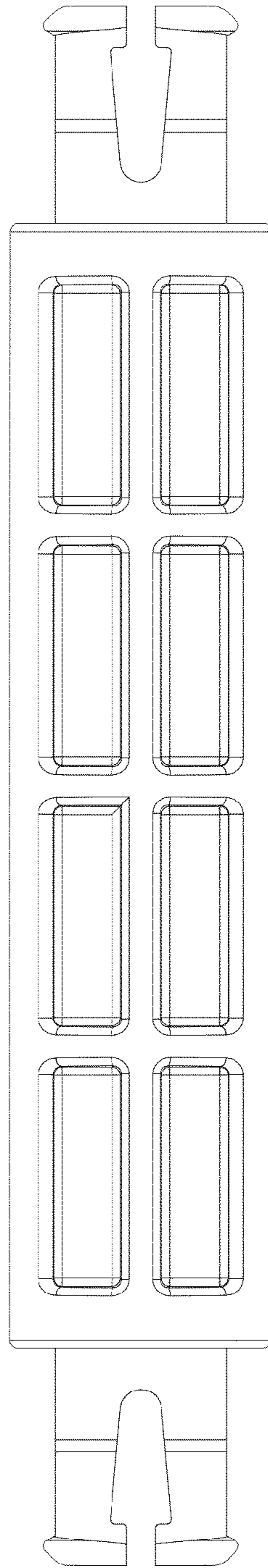


FIGURE 23

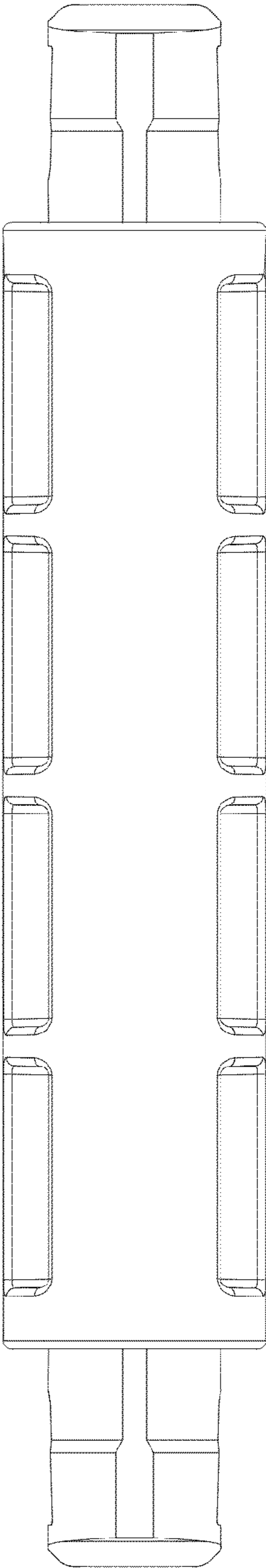


FIGURE 24

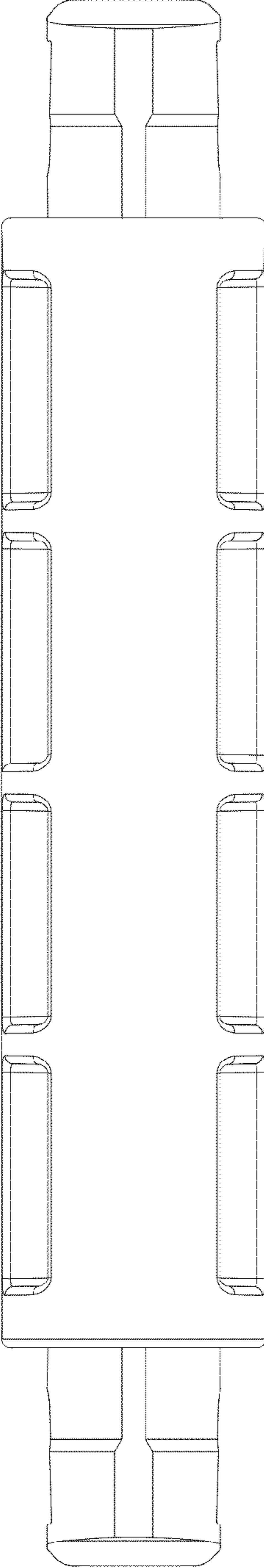


FIGURE 25

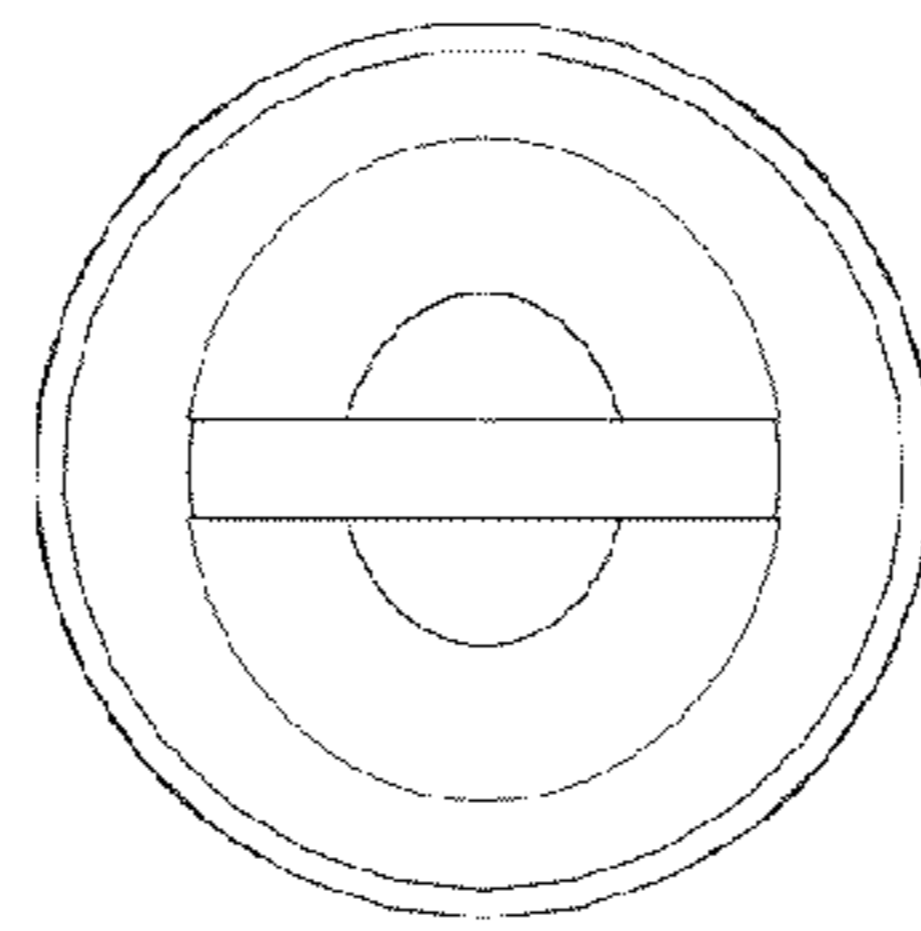


FIGURE 26

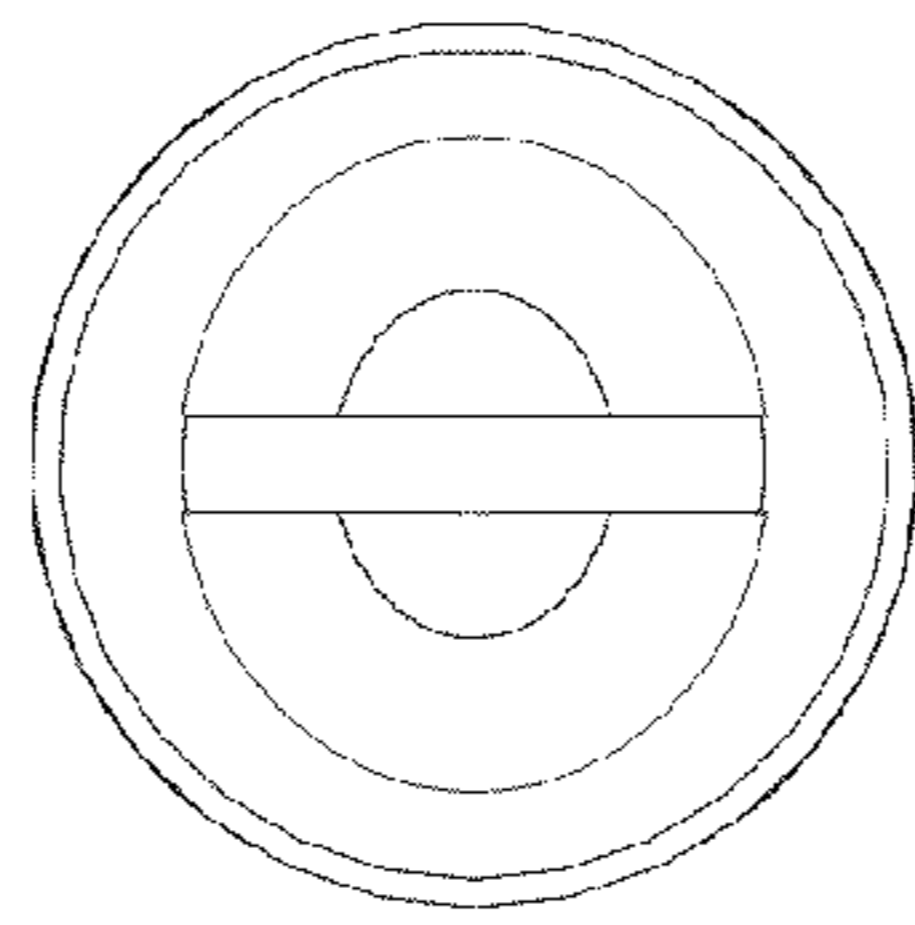


FIGURE 27

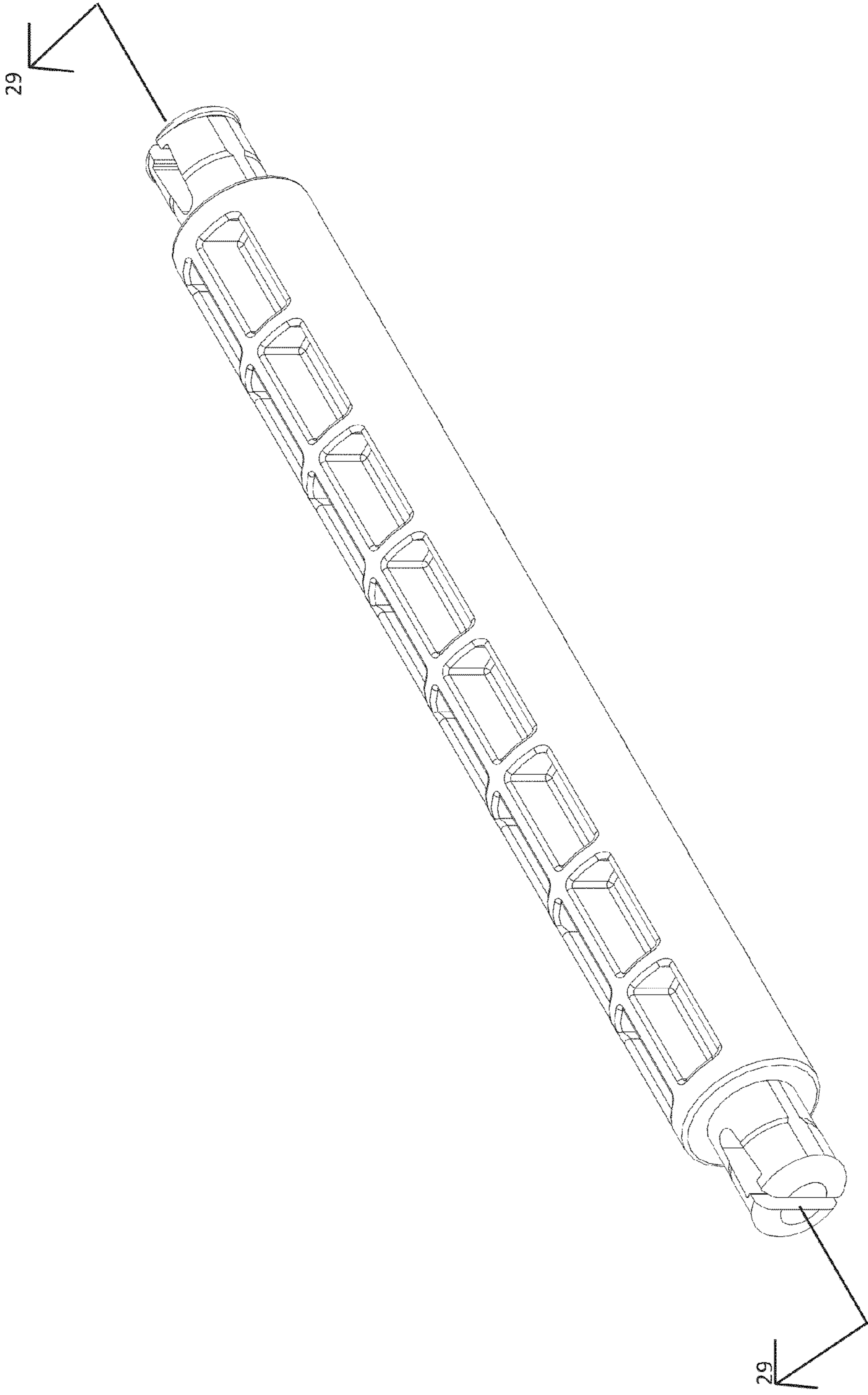


FIGURE 28

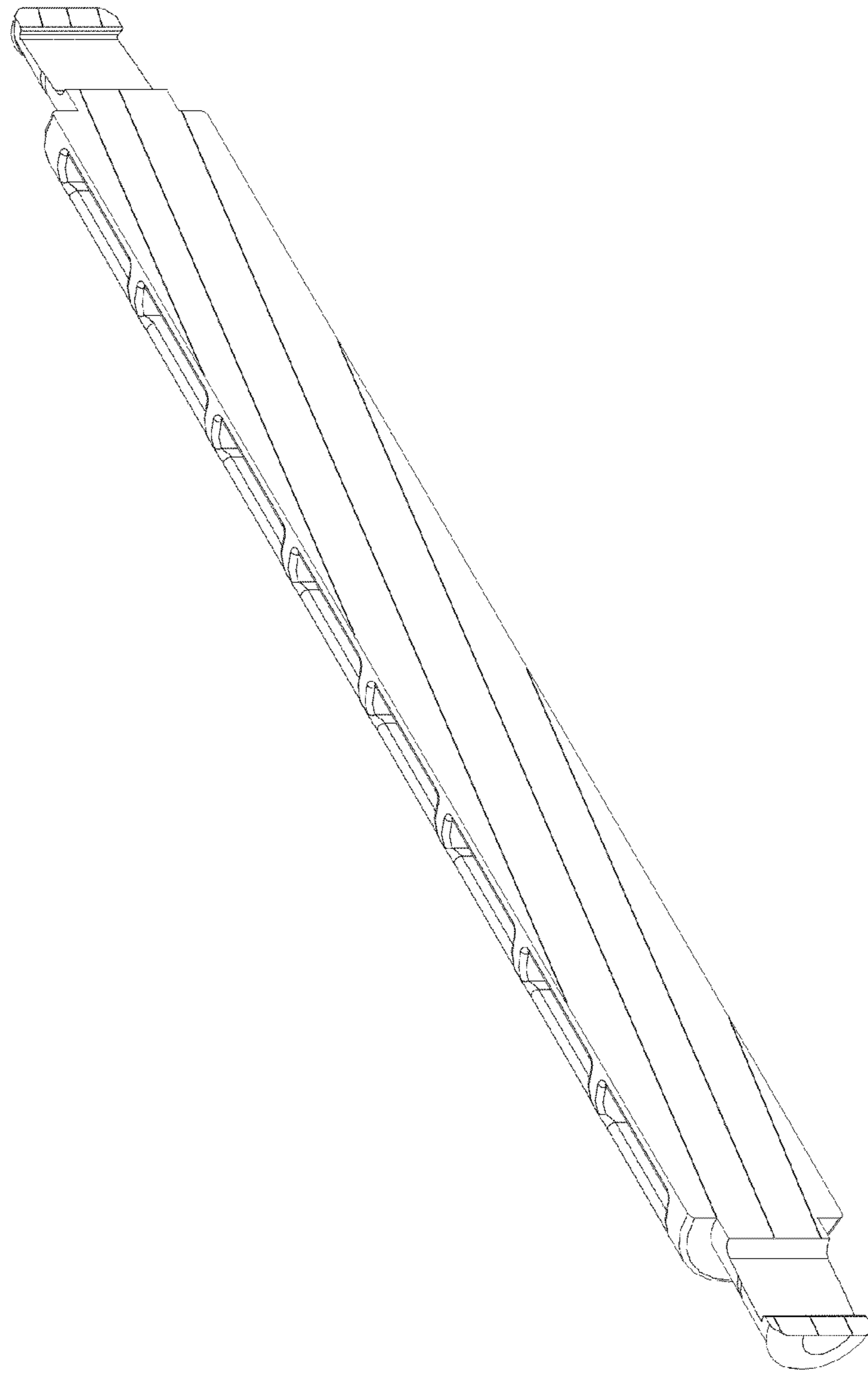


FIGURE 29

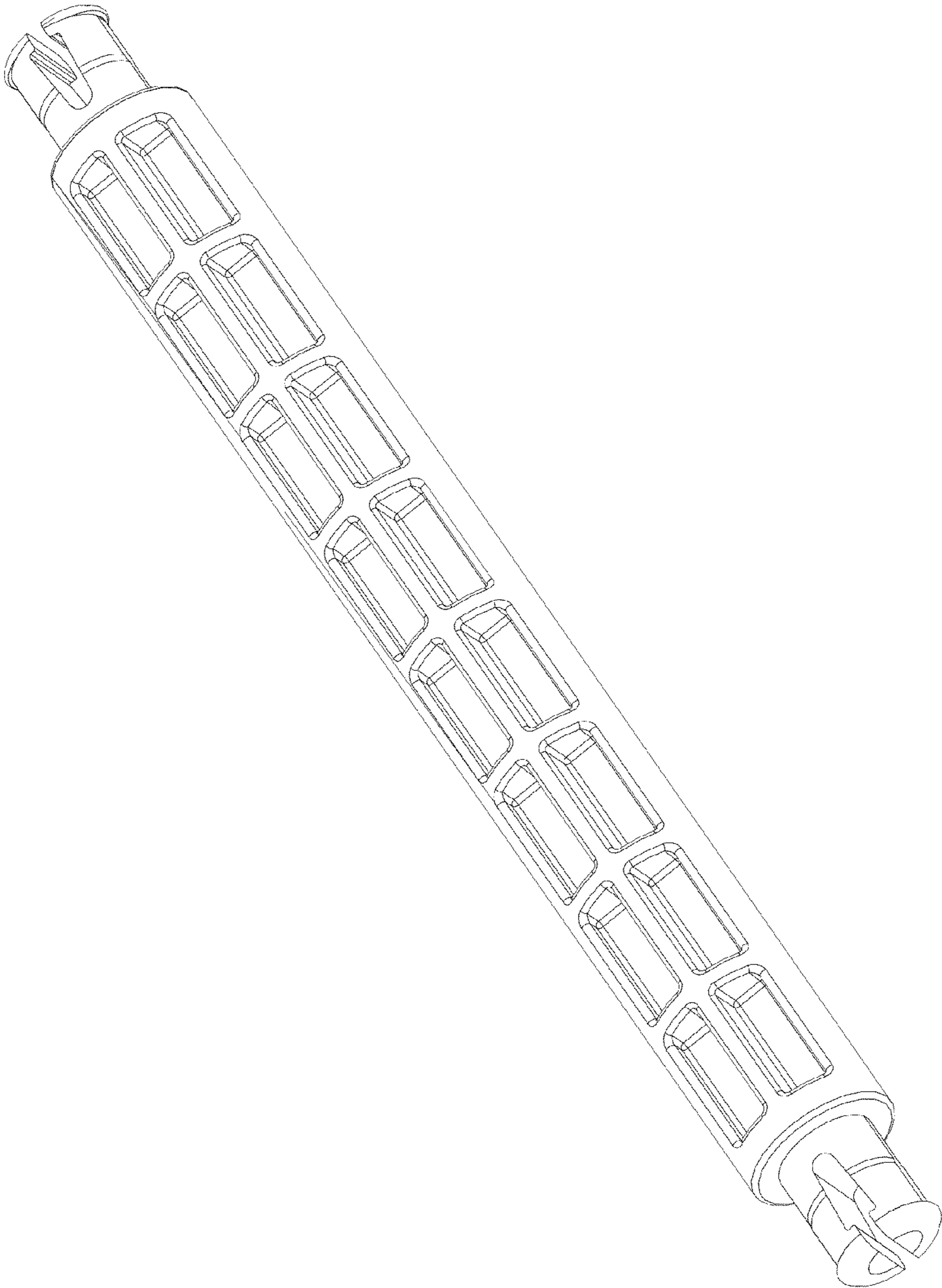


FIGURE 30

FIGURE 31

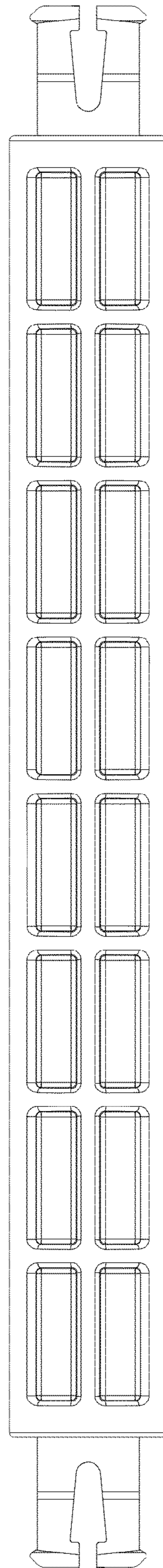


FIGURE 32

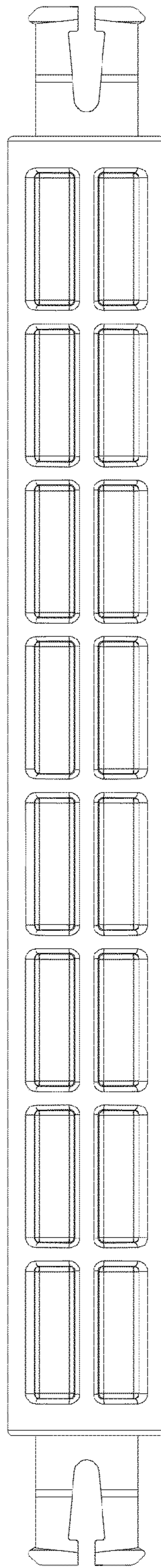


FIGURE 33

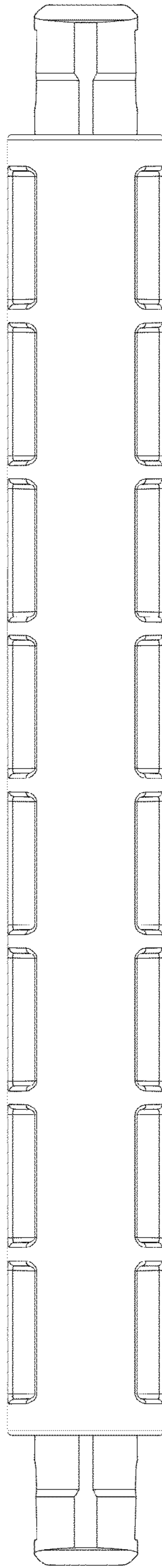
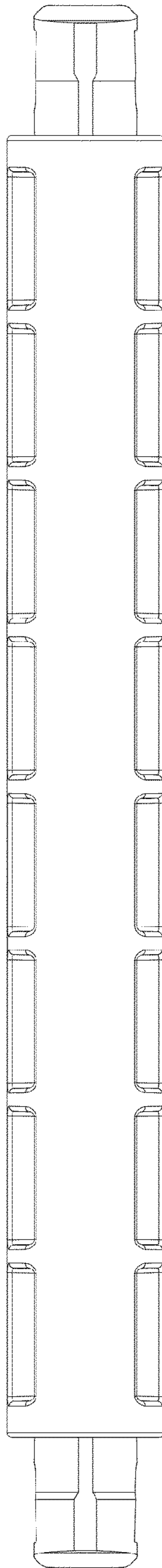


FIGURE 34



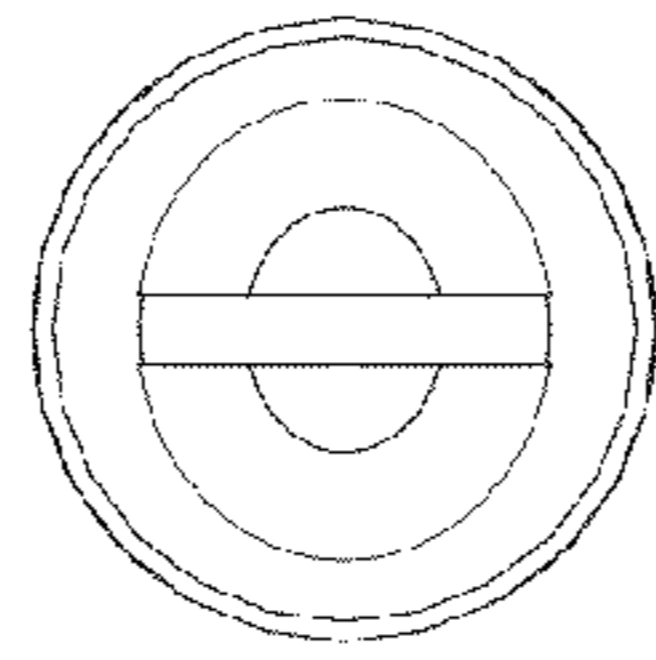


FIGURE 35

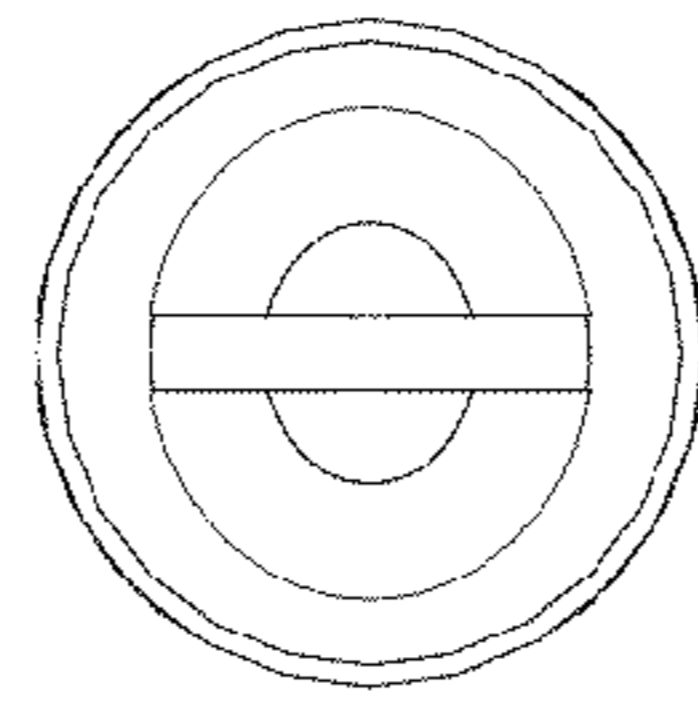


FIGURE 36

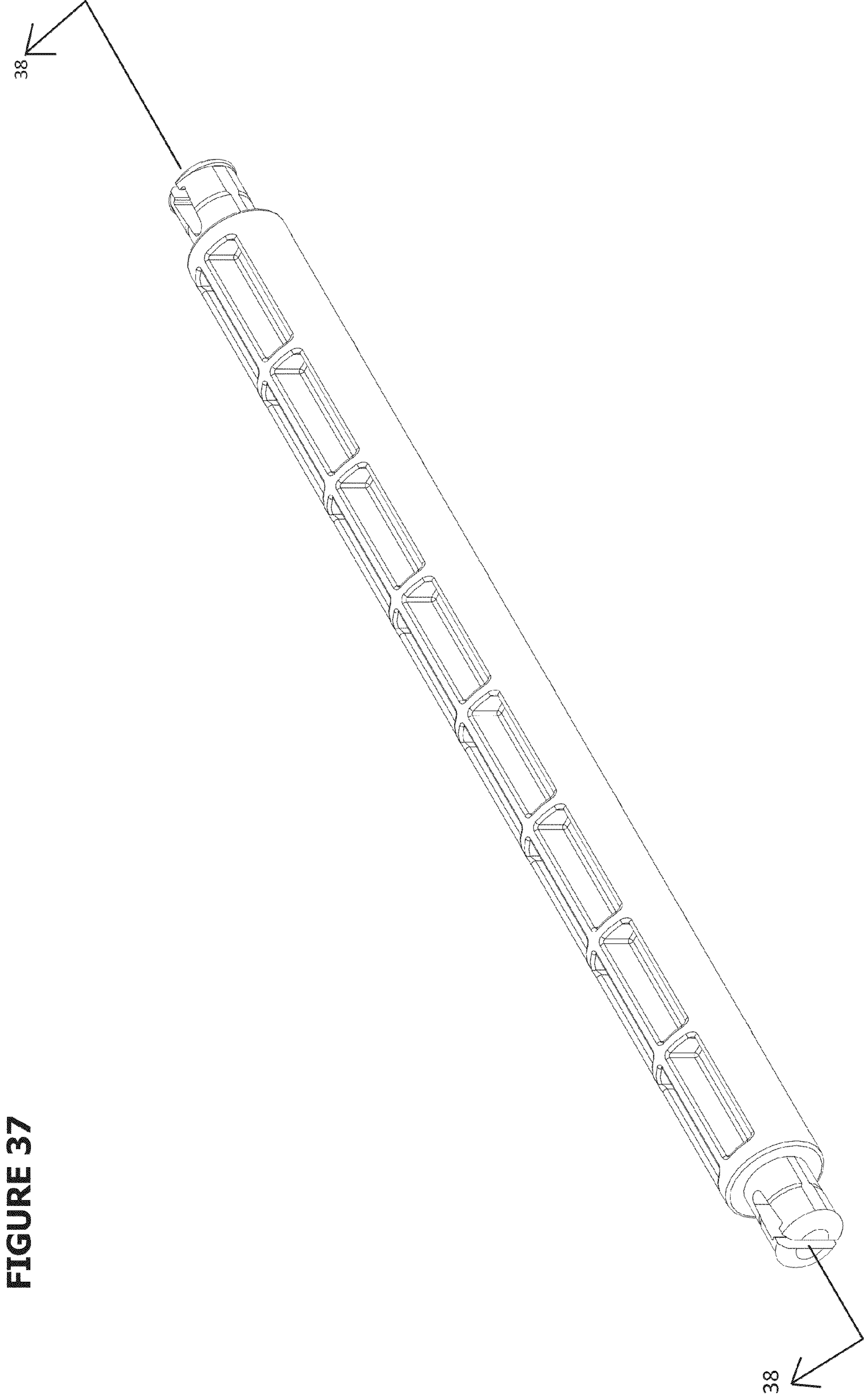


FIGURE 37

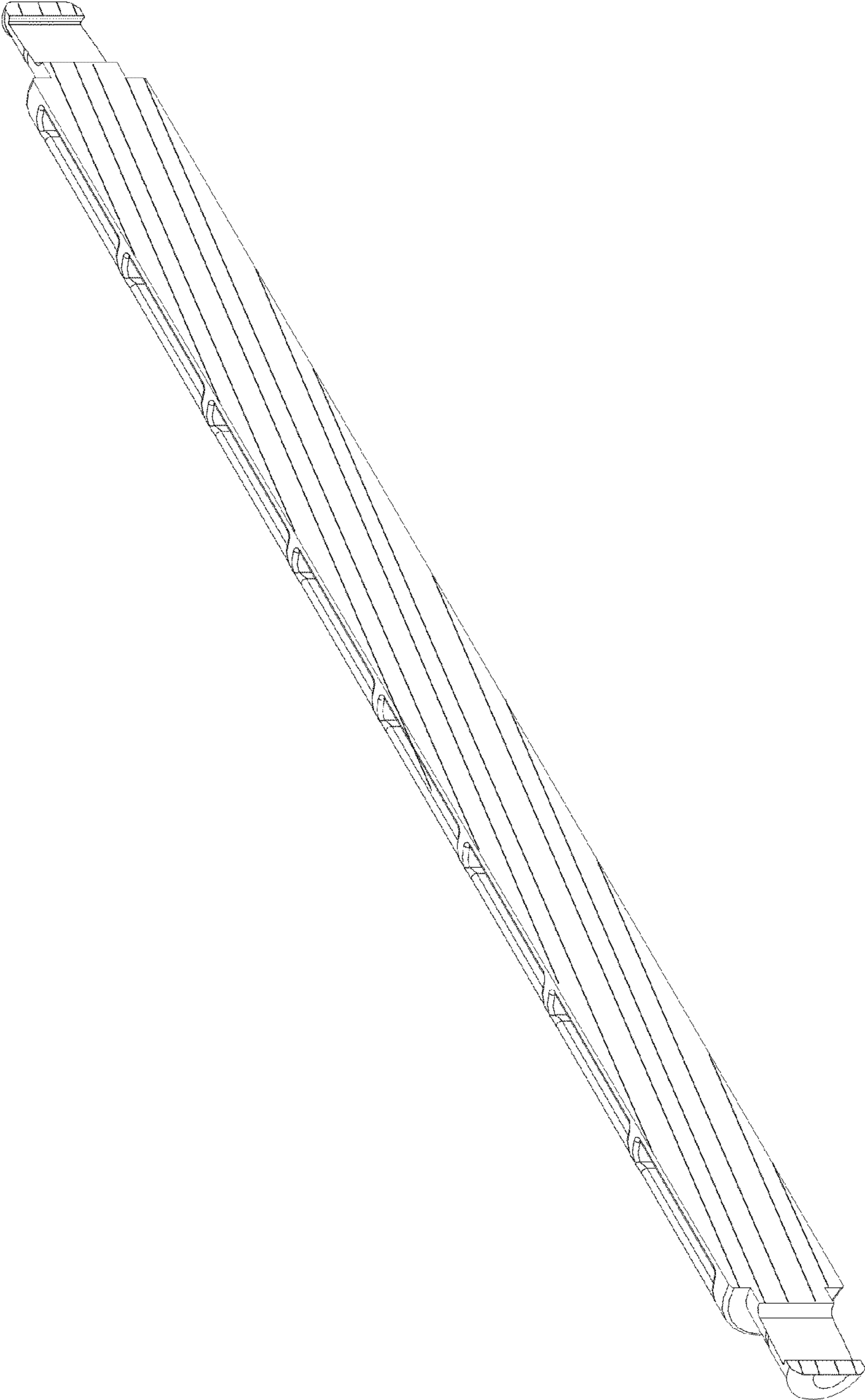


FIGURE 38



FIGURE 39

FIGURE 40

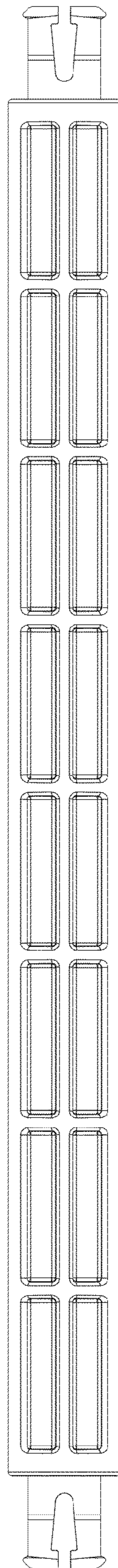


FIGURE 41

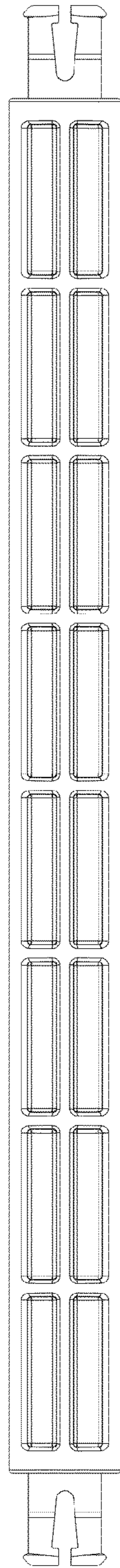


FIGURE 42

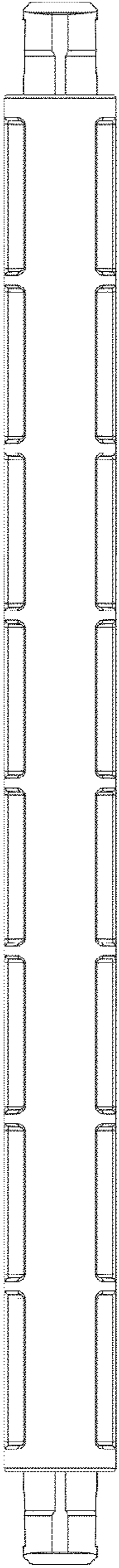
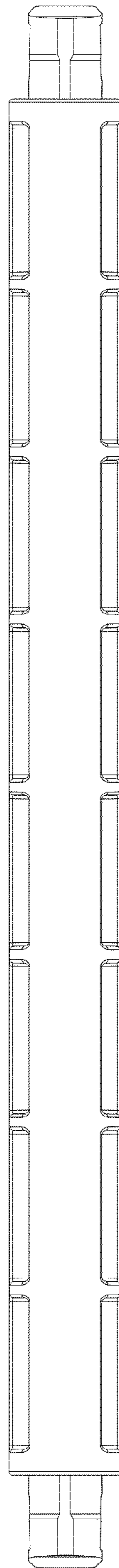


FIGURE 43



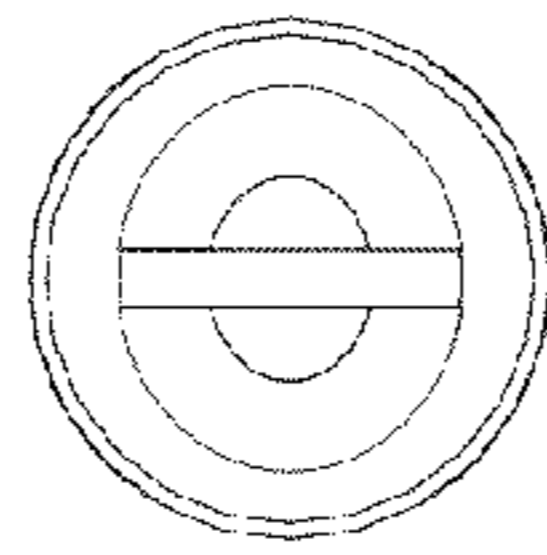


FIGURE 44

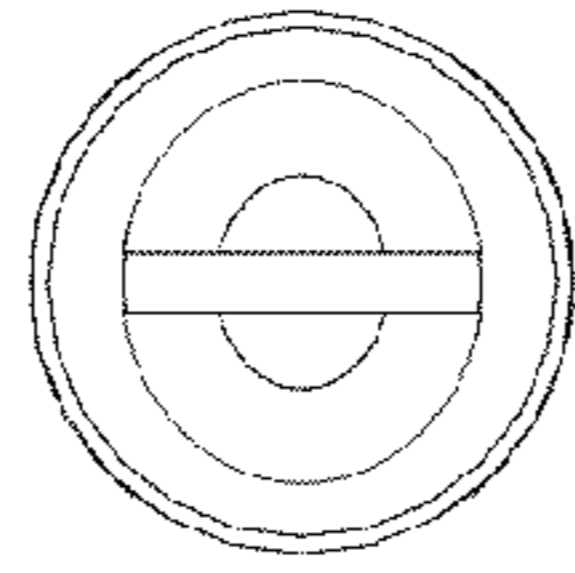


FIGURE 45