



US00D706876S

(12) **United States Design Patent**  
**Grout**

(10) **Patent No.:** **US D706,876 S**  
(45) **Date of Patent:** **\*\* Jun. 10, 2014**

(54) **RIDE-ON VEHICLE**

(71) Applicant: **Radio Flyer Inc.**, Chicago, IL (US)

(72) Inventor: **Ian Grout**, Chicago, IL (US)

(73) Assignee: **Radio Flyer Inc.**, Chicago, IL (US)

(\*\*) Term: **14 Years**

(21) Appl. No.: **29/449,493**

(22) Filed: **Mar. 15, 2013**

(51) **LOC (10) Cl.** ..... **21-01**

(52) **U.S. Cl.**  
USPC ..... **D21/426**

(58) **Field of Classification Search**  
USPC ..... D21/419, 423, 424, 425, 426, 427, 428;  
280/87.01, 87.021, 218, 224, 225, 232,  
280/233, 242.1

See application file for complete search history.

(56) **References Cited**

**U.S. PATENT DOCUMENTS**

210,435	A	12/1878	Root	
837,812	A	5/1908	Johnson	
1,652,284	A	12/1927	Madsen	
2,577,416	A	3/1949	Geisse	
D208,483	S *	9/1967	Walklef	D21/424
3,663,038	A *	5/1972	Hendricks	280/218
D230,755	S *	3/1974	Brightbill	D21/426
4,076,270	A	2/1978	Winchell	
4,087,106	A	5/1978	Winchell	
4,088,338	A	5/1978	Winchell et al.	
4,123,079	A	10/1978	Biskup	
4,165,093	A	8/1979	Biskup	
4,200,304	A *	4/1980	Hwang	280/218
4,281,844	A *	8/1981	Jackman et al.	280/87.01
4,540,192	A	9/1985	Shelton	
4,776,604	A	10/1988	Valdez et al.	
5,039,121	A	8/1991	Holter	

5,090,716	A	2/1992	Borden	
D437,364	S *	2/2001	Jang	D21/433
D444,184	S	6/2001	Kettler	
6,250,656	B1	6/2001	Ibarra	
D448,430	S *	9/2001	Wang	D21/433
6,467,781	B1	10/2002	Feng	
6,499,751	B1	12/2002	Beleski, Jr.	
D469,819	S *	2/2003	Nicolle et al.	D21/426
6,561,534	B2 *	5/2003	Gu	280/242.1
D481,423	S *	10/2003	Nien	D21/424

(Continued)

**OTHER PUBLICATIONS**

<<http://plasmacar.com/#page-2>>, PlasmaCar, Ride on Toy, dated at least as early as Jun. 25, 2012.

(Continued)

*Primary Examiner* — Cynthia M Chin  
(74) *Attorney, Agent, or Firm* — McDermott Will & Emery LLP

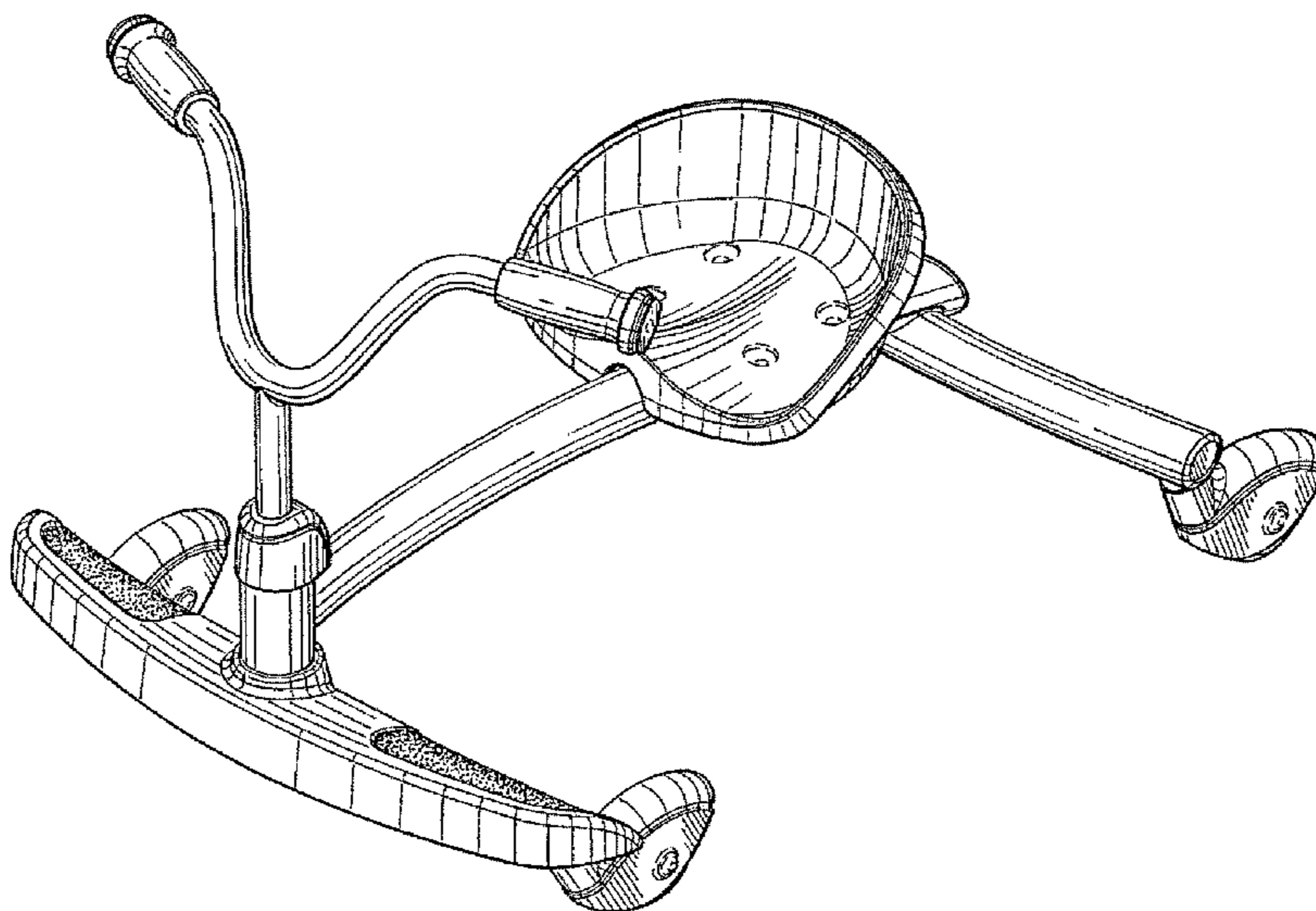
(57) **CLAIM**

I claim the ornamental design for a ride-on vehicle, as shown and described.

**DESCRIPTION**

FIG. 1 is a perspective view of a ride-on vehicle according to the new design;  
FIG. 2 is a side view of the ride-on vehicle shown in FIG. 1;  
FIG. 3 is a top view of the ride-on vehicle shown in FIG. 1;  
FIG. 4 is a front view of the ride-on vehicle shown in FIG. 1;  
FIG. 5 is a back view of the ride-on vehicle shown in FIG. 1;  
and,  
FIG. 6 is a bottom view of the ride-on vehicle shown in FIG. 1.  
Features shown in broken lines in the drawings are not part of the claim.

**1 Claim, 5 Drawing Sheets**



(56)

**References Cited**

U.S. PATENT DOCUMENTS

6,719,310	B1	4/2004	Lin	
6,908,090	B2	6/2005	Chuang	
6,908,091	B2	6/2005	Chuang	
6,976,687	B2	12/2005	Beleski, Jr.	
7,007,962	B2 *	3/2006	Lai .....	280/218
D569,448	S	5/2008	Sramek et al.	
D582,992	S *	12/2008	Alais .....	D21/426
7,597,334	B2	10/2009	Chen	
7,681,895	B2	3/2010	Chen	
7,926,825	B2	4/2011	Chen	
D654,542	S	2/2012	Chiu et al.	
8,128,109	B2	3/2012	Chen	
2001/0040352	A1	11/2001	Wang et al.	
2004/0032105	A1	2/2004	Tsai	
2007/0114743	A1	5/2007	Chen	
2008/0029985	A1	2/2008	Chen	
2010/0117316	A1	5/2010	Weiner et al.	
2011/0018215	A1	1/2011	Kristiansen	

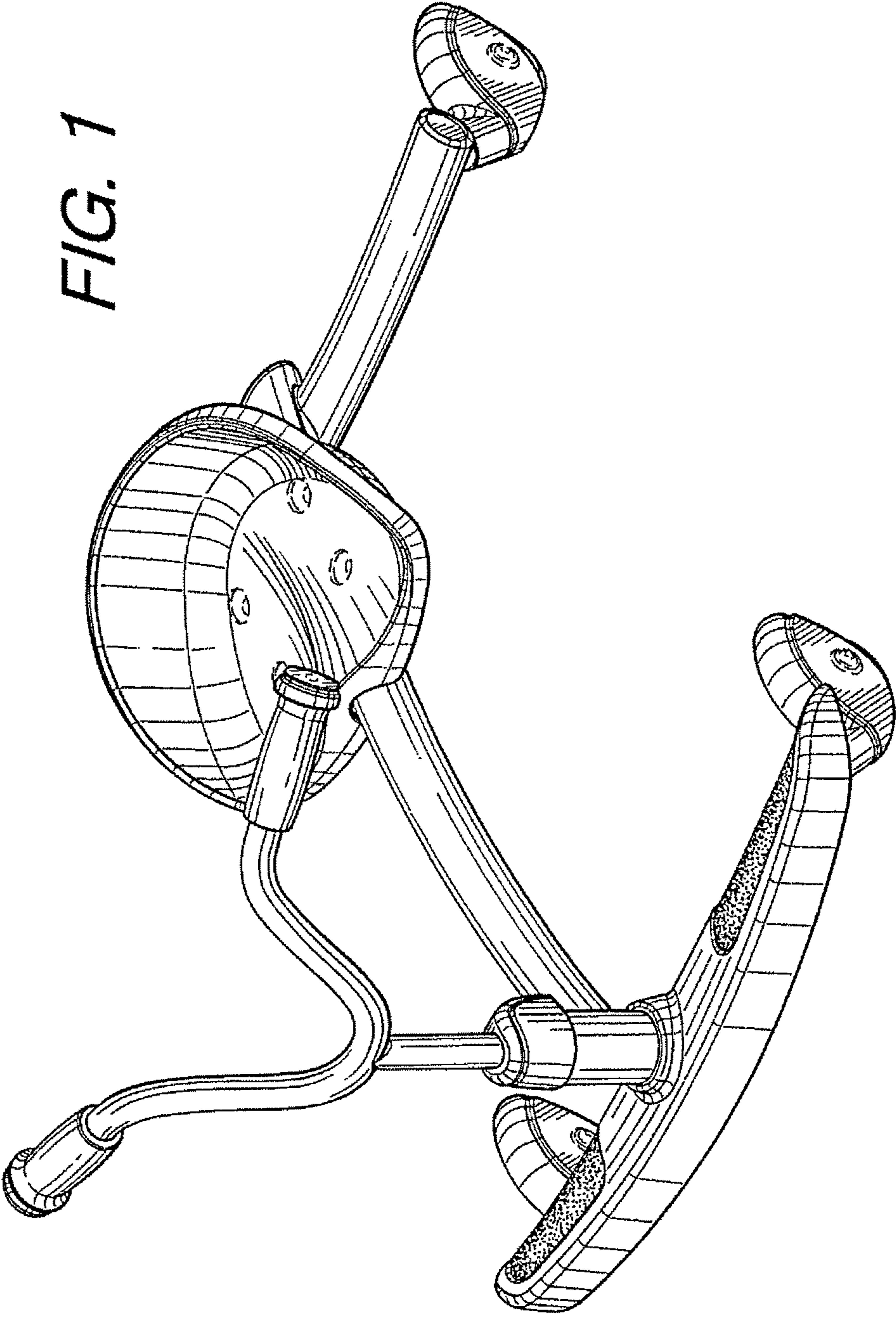
2011/0227305	A1	9/2011	Chen
2011/0241302	A1	10/2011	Lovley, II et al.
2012/0080860	A1	4/2012	Park

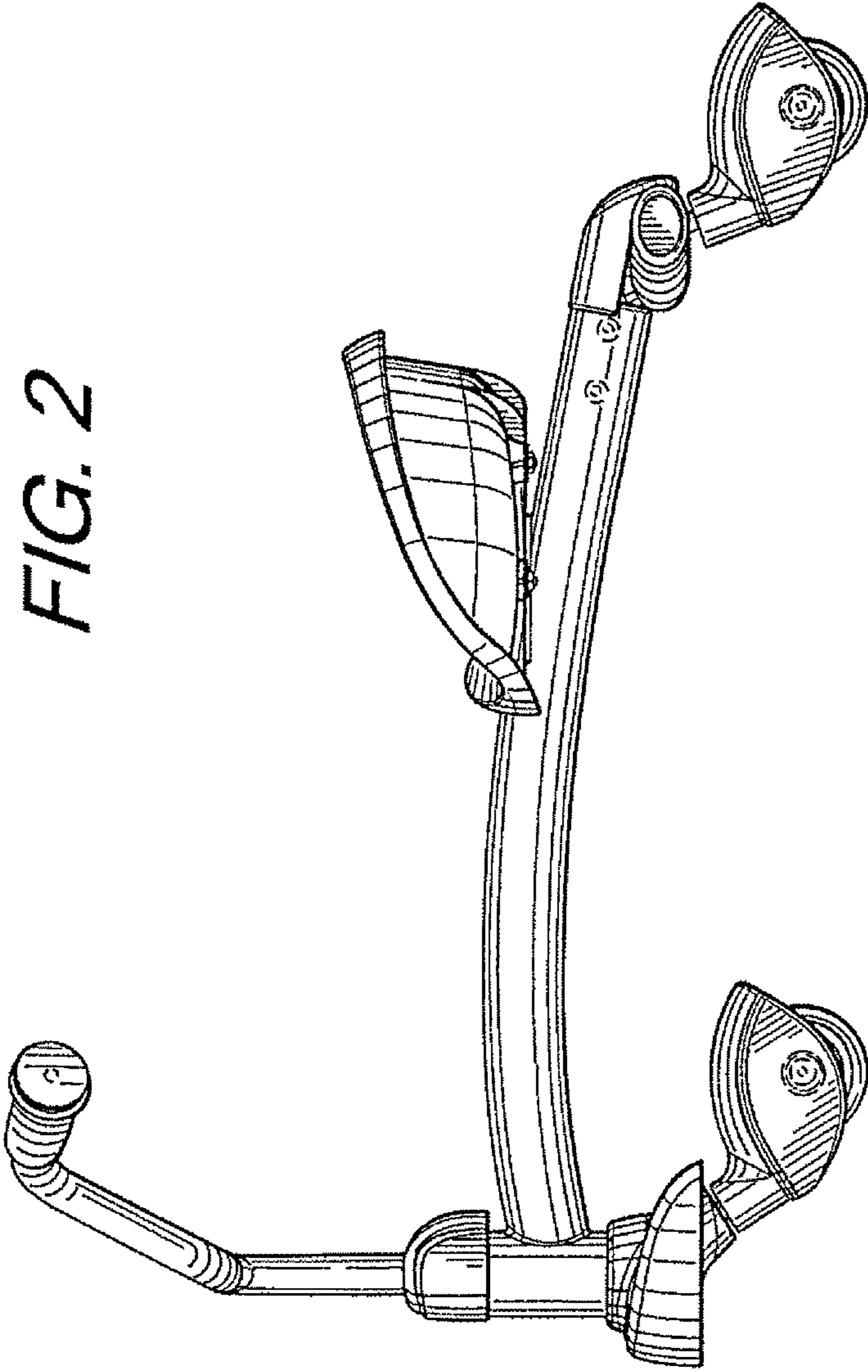
OTHER PUBLICATIONS

<<http://masoncorporation.com/shop/flying-turtle-merch/>>, Flying Turtle Scooter, Ride on Toy, dated at least as early as Jun. 25, 2012.  
 <<http://yvolution.com/products/31-Y-Fliker-A3-Red.html>>, Y Volu-tion Flicker, Ride on Toy, dated at least as early as Jun. 25, 2012.  
 <<http://www.pulsescooters.com/categories/1-products/16-series-kick/>>, Pulse Slither, Scooter, dated at least as early as Jun. 25, 2012.  
 <<http://www.razor.com/products/ripstik/>>, Razor Ripstik, Ride on Toy, dated at least as early as Jun. 25, 2012.  
 <<http://www.razor.com/products/caster-driven/siege/>>, Razor Siege, Scooter, dated at least as early as Jun. 25, 2012.  
 <<http://www.razor.com/products/caster-driven/powerwing/>>, Razor Powerwing, Ride on Toy, dated at least as early as Jun. 25, 2012.  
 Owner's Manual, "Razor RipRider 360° Caster Trike," Ride on Toy, dated at least as early as Jun. 25, 2012.

\* cited by examiner

FIG. 1





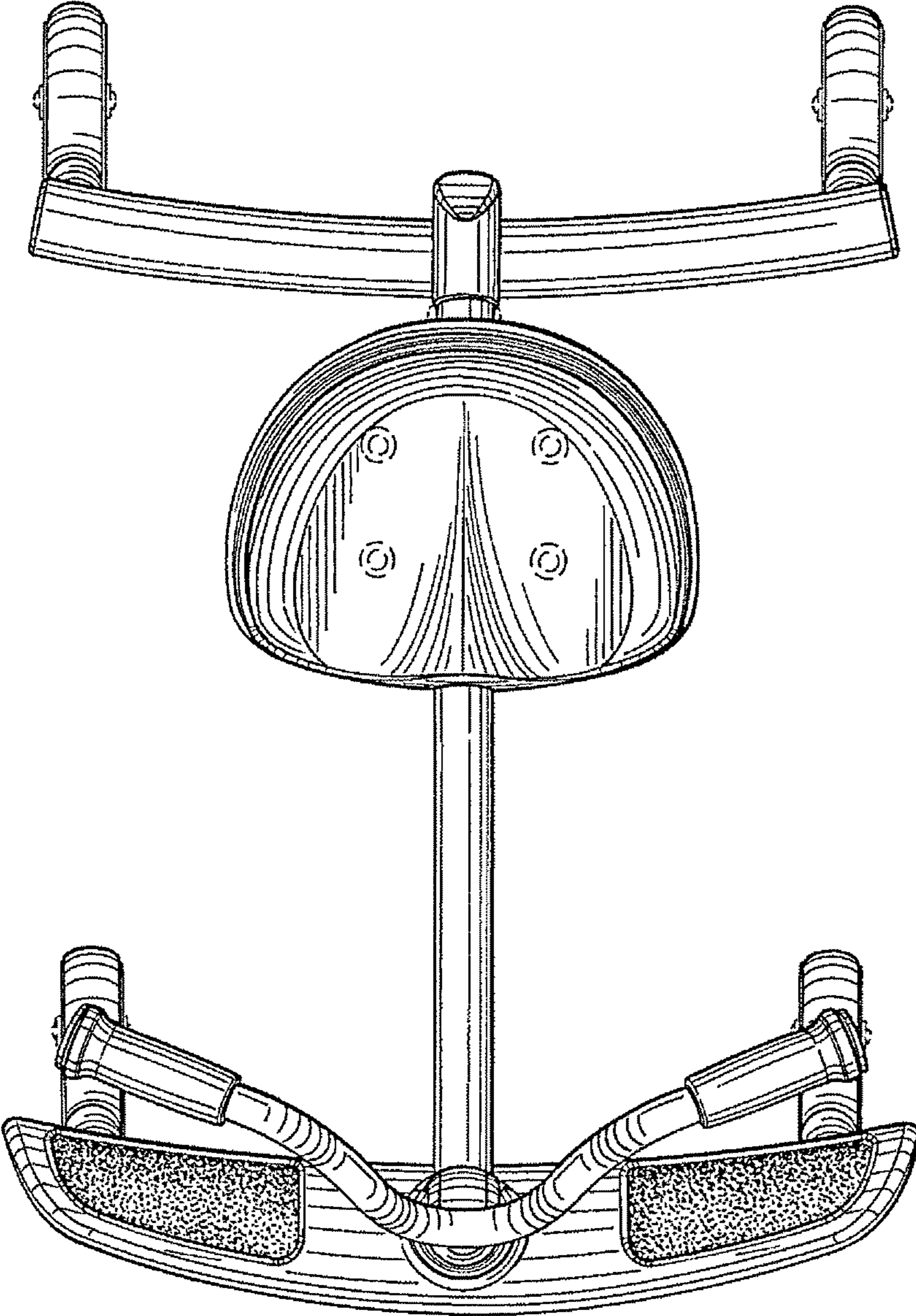


FIG. 3

FIG. 5

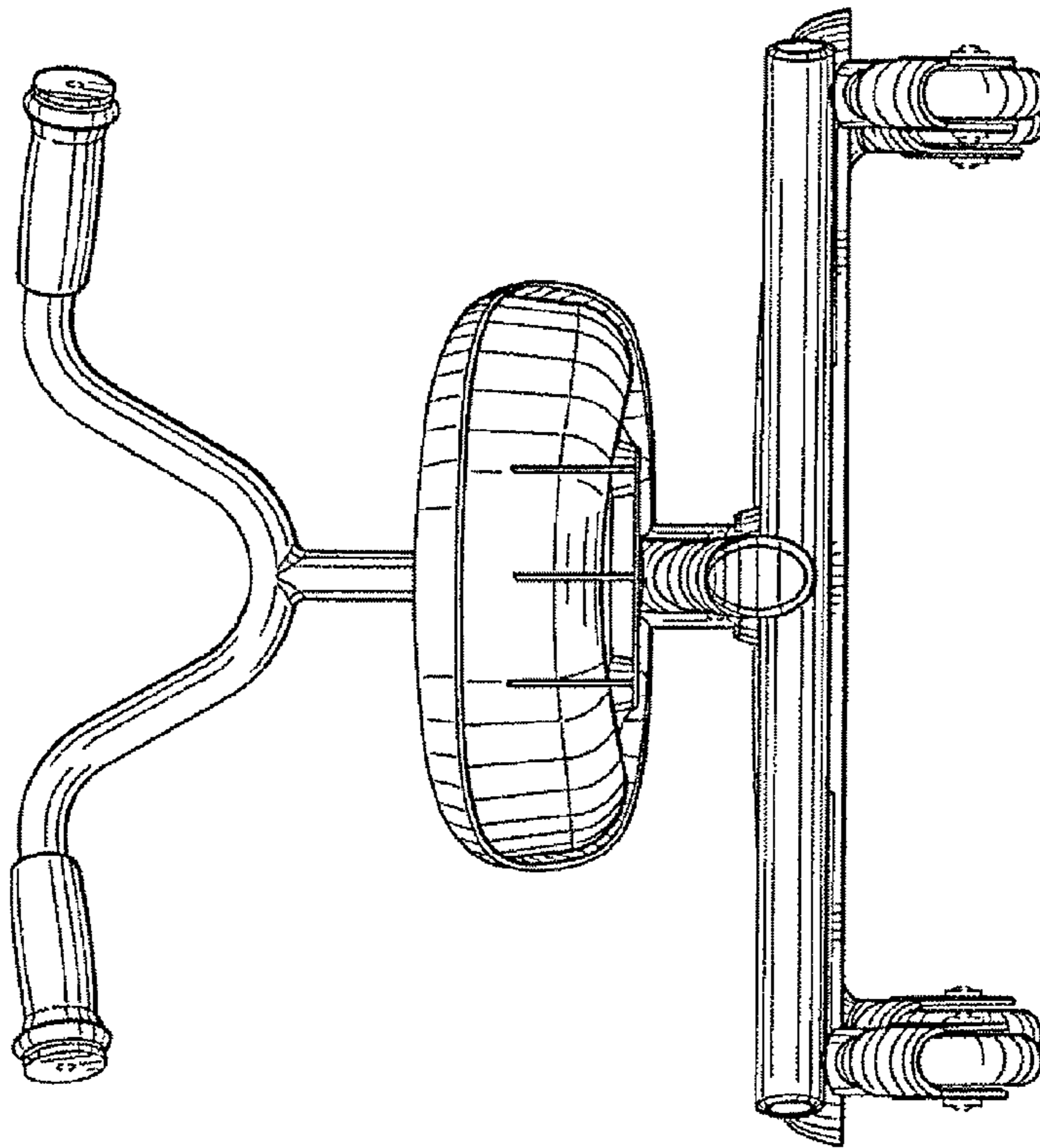


FIG. 4

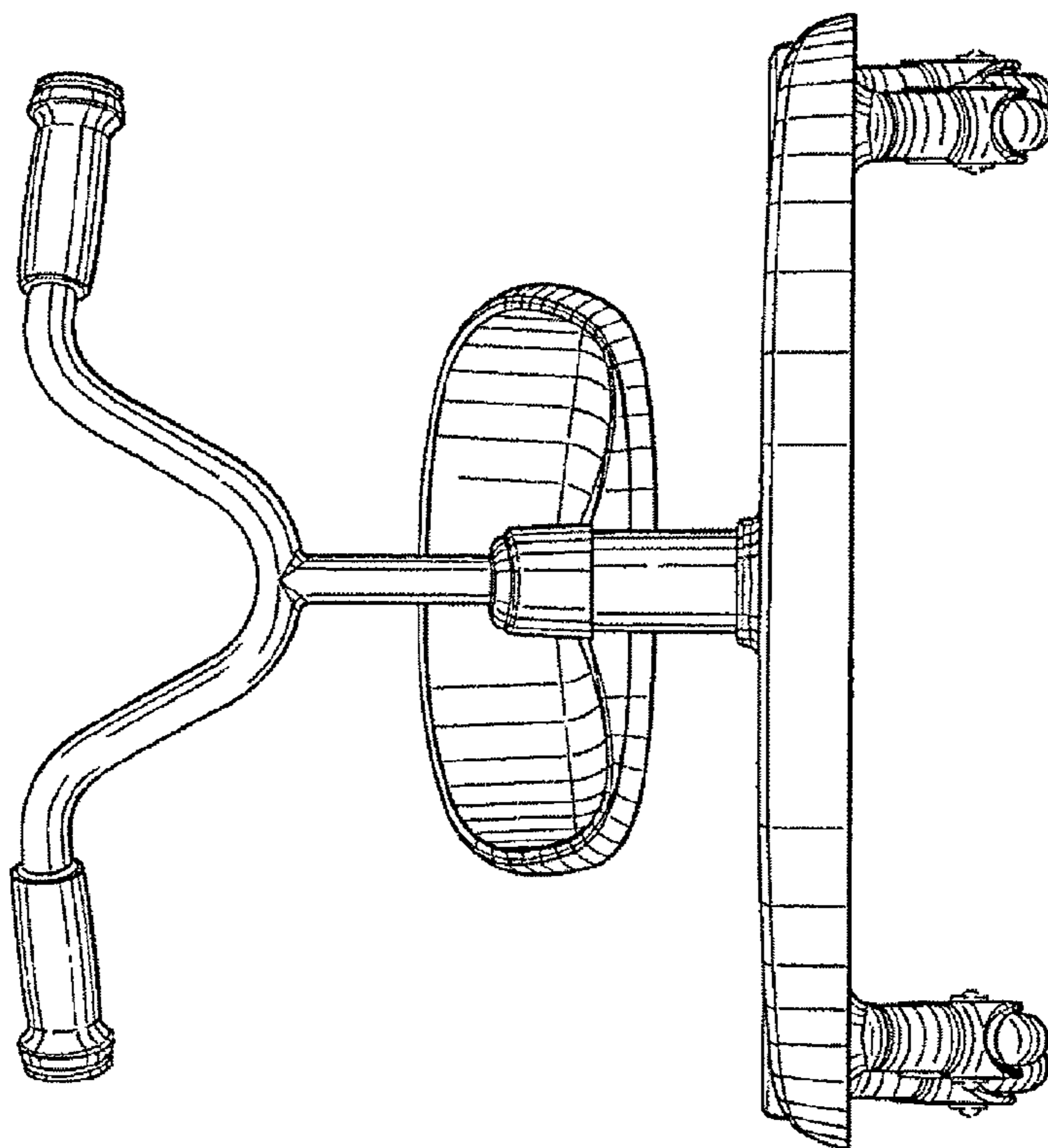


FIG. 6

