



US00D706875S

(12) **United States Design Patent**
Saber et al.

(10) **Patent No.:** **US D706,875 S**
(45) **Date of Patent:** **** Jun. 10, 2014**

- (54) **TOY**
- (71) Applicants: **Michael A. Saber**, Denver, CO (US);
Joseph A. Buescher, Littleton, CO (US)
- (72) Inventors: **Michael A. Saber**, Denver, CO (US);
Joseph A. Buescher, Littleton, CO (US)
- (73) Assignee: **Chilkoot Trail Ventures, LLC**,
Littleton, CO (US)
- (**) Term: **14 Years**
- (21) Appl. No.: **29/467,128**
- (22) Filed: **Sep. 16, 2013**

Related U.S. Application Data

- (63) Continuation-in-part of application No. 29/451,387,
filed on Apr. 1, 2013, now Pat. No. Des. 695,358.
- (51) **LOC (10) Cl.** **21-01**
- (52) **U.S. Cl.**
USPC **D21/398**; D21/707
- (58) **Field of Classification Search**
USPC D21/398, 404, 405, 406, 408, 468, 473,
D21/478, 479, 483, 484, 485, 488, 493, 497,
D21/498, 501-503, 533, 561, 562, 680, 682,
D21/684, 694, 707-714, 791, 811, 812, 814,
D21/826; D30/160; 473/569-577, 587, 588,
473/589, 594-596, 609-614; 119/707-711;
428/11; 446/240, 255, 431, 437, 450,
446/486, 489, 491, 85, 102-128
See application file for complete search history.

(56) **References Cited**

U.S. PATENT DOCUMENTS

530,116 A	12/1894	Murphy
2,521,703 A	9/1950	Emmitt

- D197,655 S 3/1964 Kuhn
- D232,236 S 7/1974 La Borde
- D244,628 S 6/1977 Wright
- 4,302,900 A 12/1981 Rayner
- 4,850,927 A 7/1989 Caranica
- 5,033,743 A 7/1991 Wright
- 5,207,420 A 5/1993 Crawford et al.
- D348,915 S 7/1994 Fraser
- 5,399,136 A 3/1995 Bart
- D363,752 S 10/1995 Shumber et al.
- D367,504 S 2/1996 Barzani
- D400,620 S 11/1998 Barton, Jr.
- D408,482 S 4/1999 Morrison
- D411,269 S 6/1999 Albarelli, Jr.
- 6,003,470 A 12/1999 Budman
- D418,880 S 1/2000 Albarelli, Jr.
- D421,078 S 2/2000 Weiss, Jr.
- 6,048,283 A 4/2000 Albarelli, Jr.
- 6,220,980 B1 4/2001 Adler
- D468,378 S 1/2003 Routzong
- 6,651,590 B2 11/2003 Willinger et al.
- 6,736,765 B2 5/2004 Wallace et al.
- D498,799 S 11/2004 Kerry
- D505,233 S 5/2005 Viola

(Continued)

Primary Examiner — Catherine Tuttle

(74) *Attorney, Agent, or Firm* — Mind Law Firm, P.C.;
Jeromye V. Sartain; Justin G. Sanders

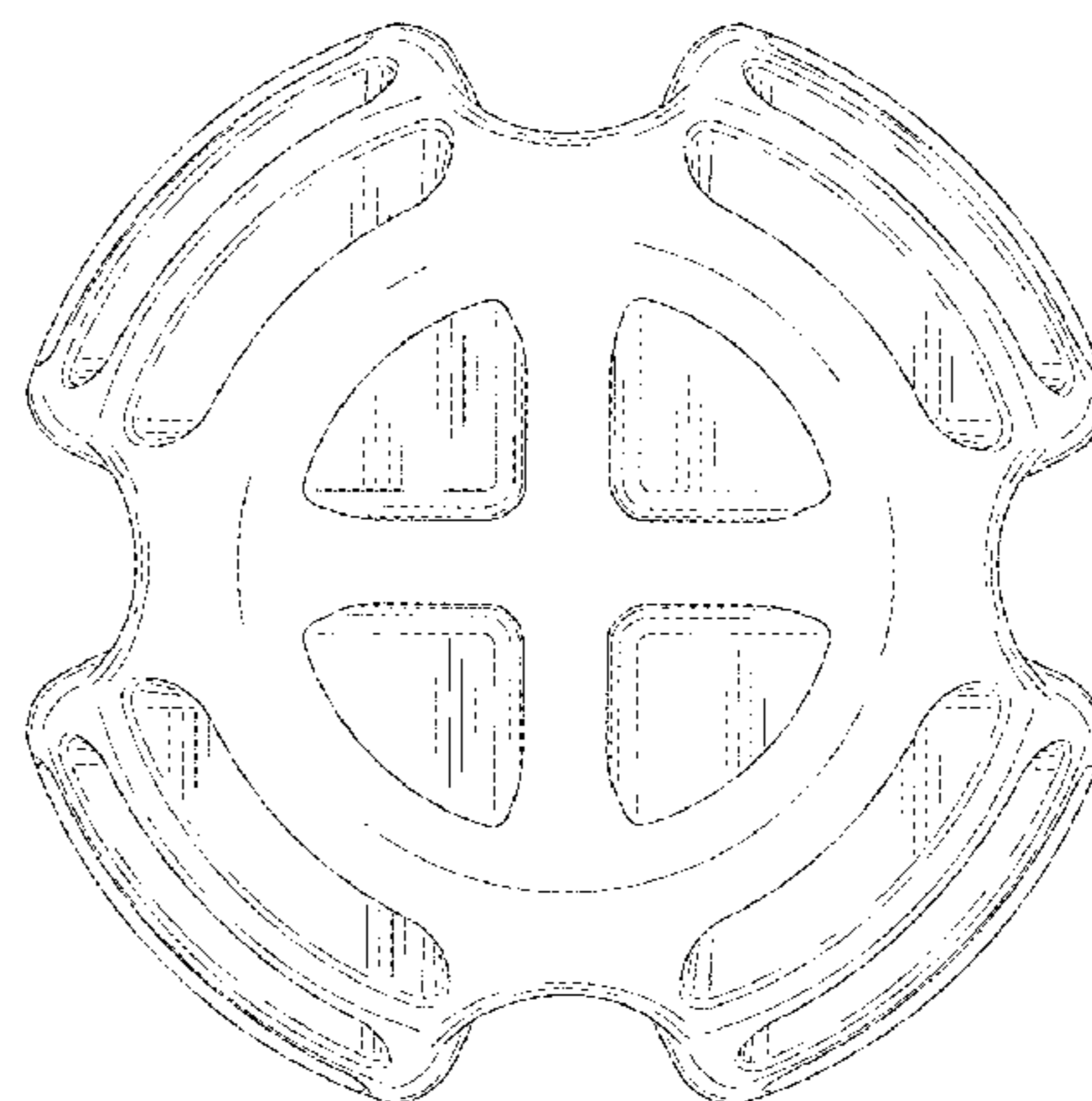
(57) **CLAIM**

The ornamental design for a toy, as shown and described.

DESCRIPTION

FIG. 1 is a perspective view of a toy showing our new design;
FIG. 2 is a front view thereof;
FIG. 3 is a rear view thereof;
FIG. 4 is a left side view thereof;
FIG. 5 is a right side view thereof;
FIG. 6 is a top view thereof; and,
FIG. 7 is a bottom view thereof.

1 Claim, 4 Drawing Sheets



(56)

References Cited

U.S. PATENT DOCUMENTS

6,896,578 B2	5/2005	Shaw	
D511,029 S	10/2005	Willinger	
D545,509 S	6/2007	Wang	
D549,889 S	8/2007	Winkler et al.	
D553,809 S *	10/2007	Gick	D30/160
7,326,122 B2	2/2008	Park	
D599,963 S *	9/2009	Crane et al.	D30/160
D623,247 S	9/2010	Zawitz	
D624,251 S	9/2010	Rutherford	
D658,243 S	4/2012	Saber et al.	
D660,384 S	5/2012	Saber et al.	
8,312,844 B2	11/2012	Mann	
D695,358 S *	12/2013	Saber et al.	D21/398
2007/0207871 A1	9/2007	Traub	
2011/0185980 A1	8/2011	Chefetz et al.	
2013/0074780 A1 *	3/2013	Wechsler	119/710

* cited by examiner



Fig. 1

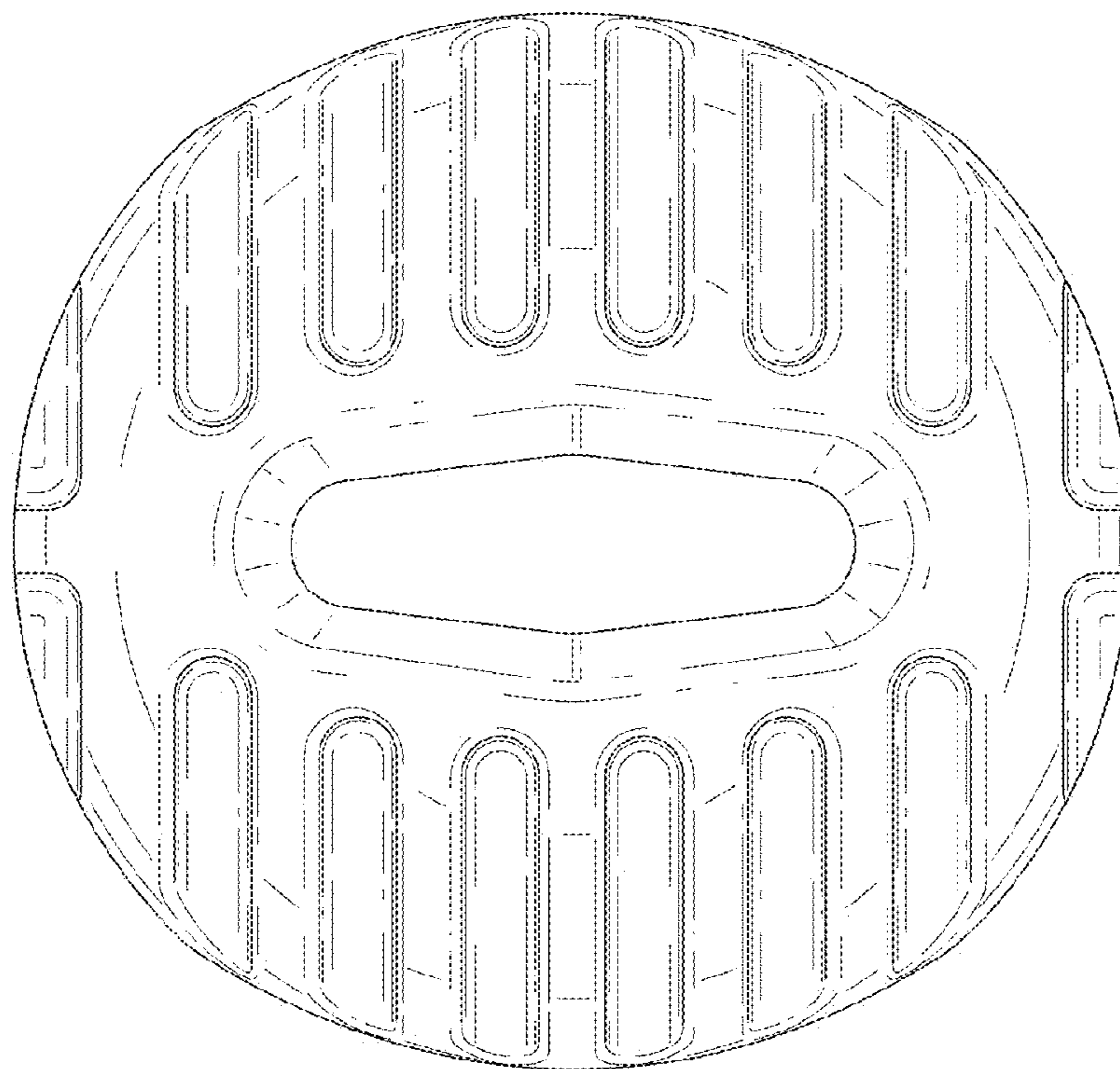


Fig. 2

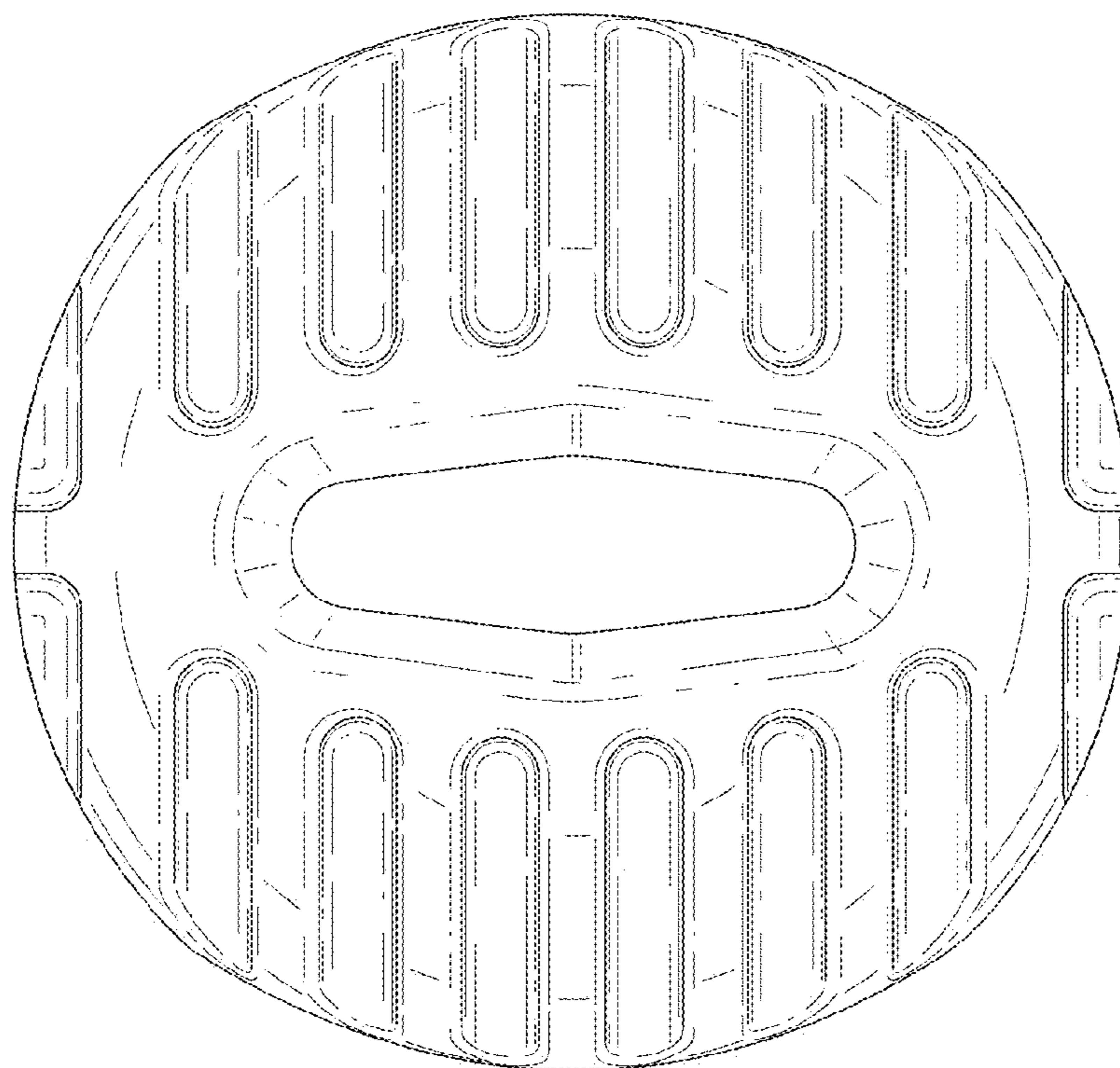


Fig. 3

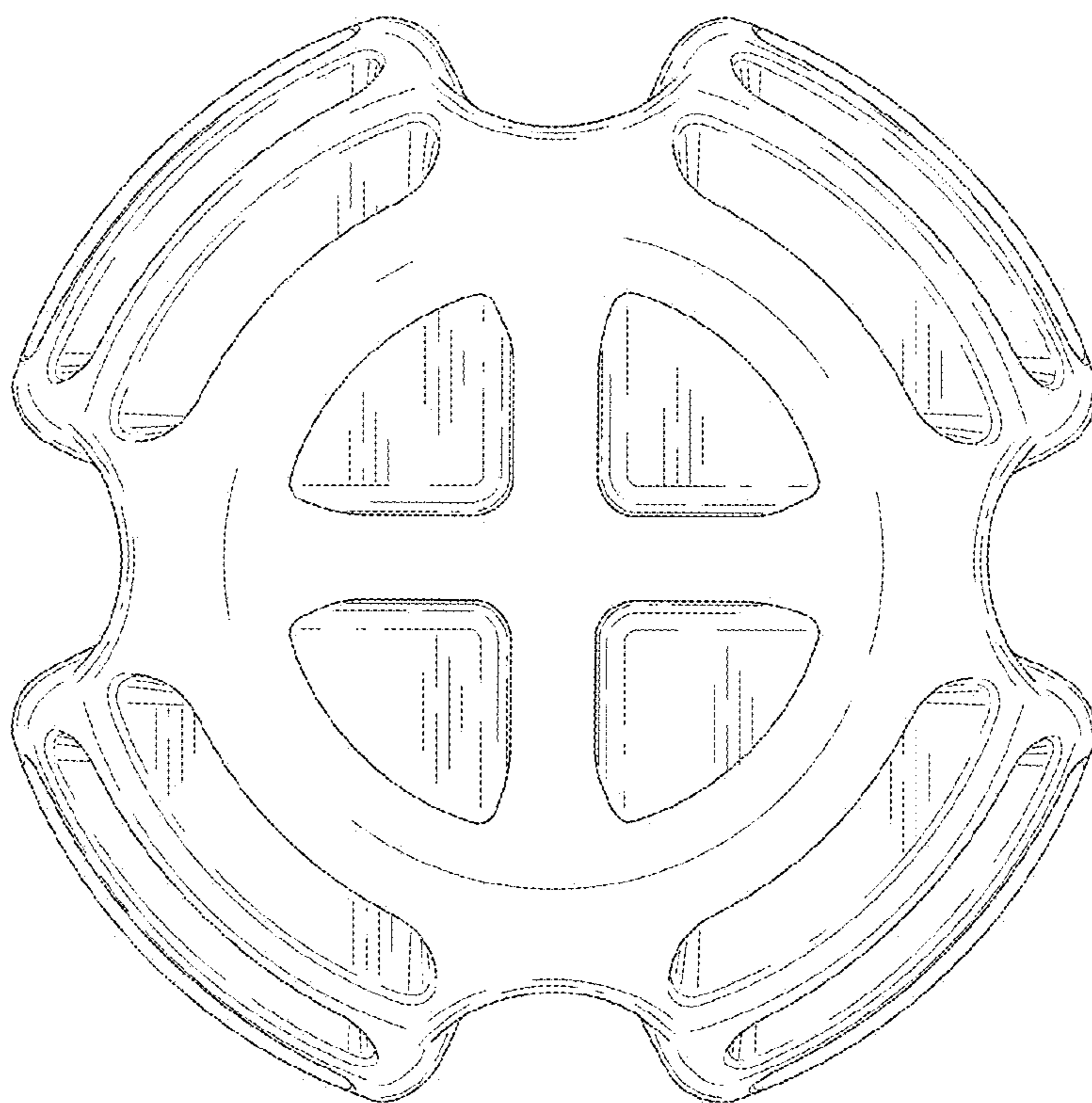


Fig. 4

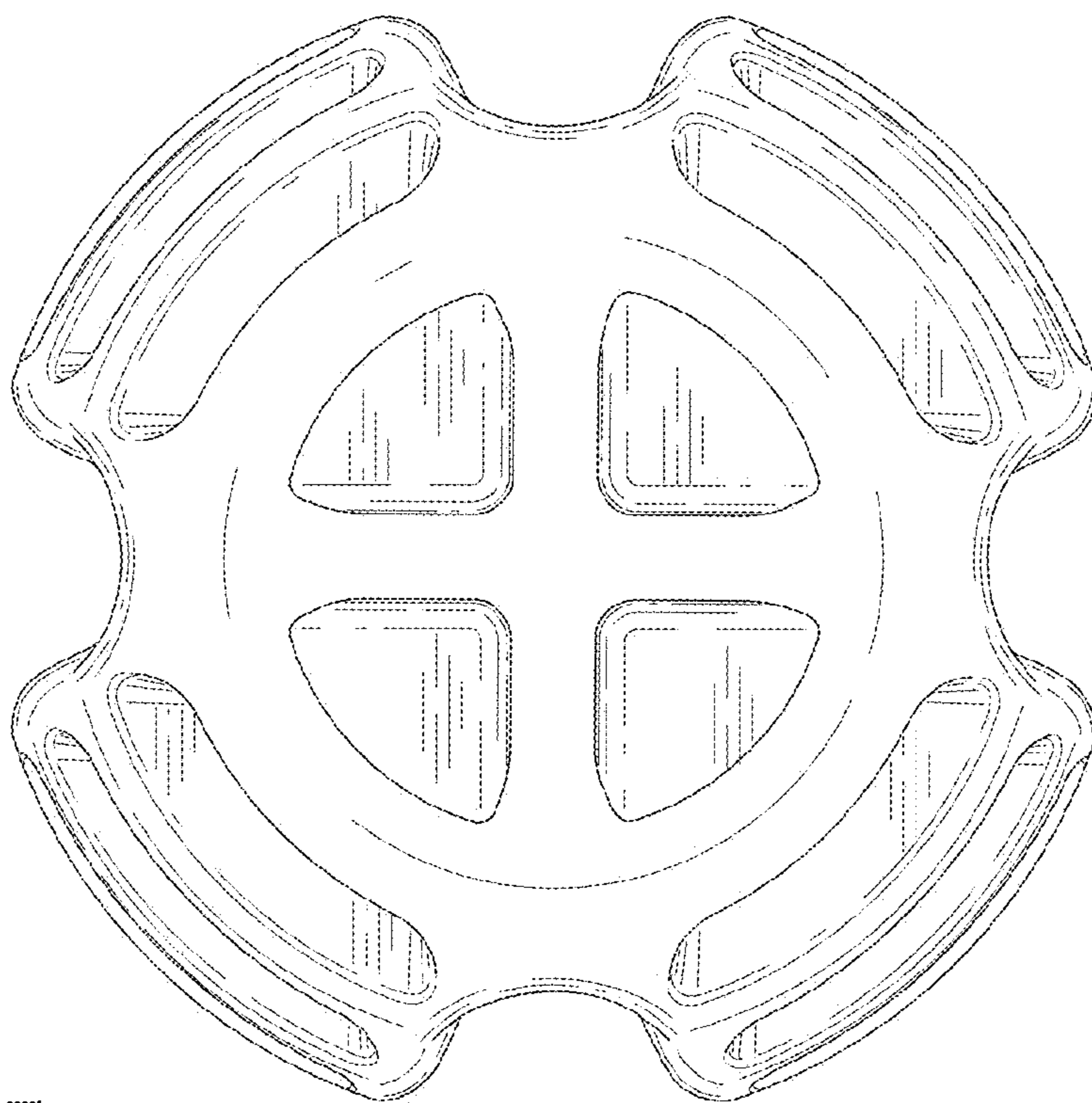


Fig. 5

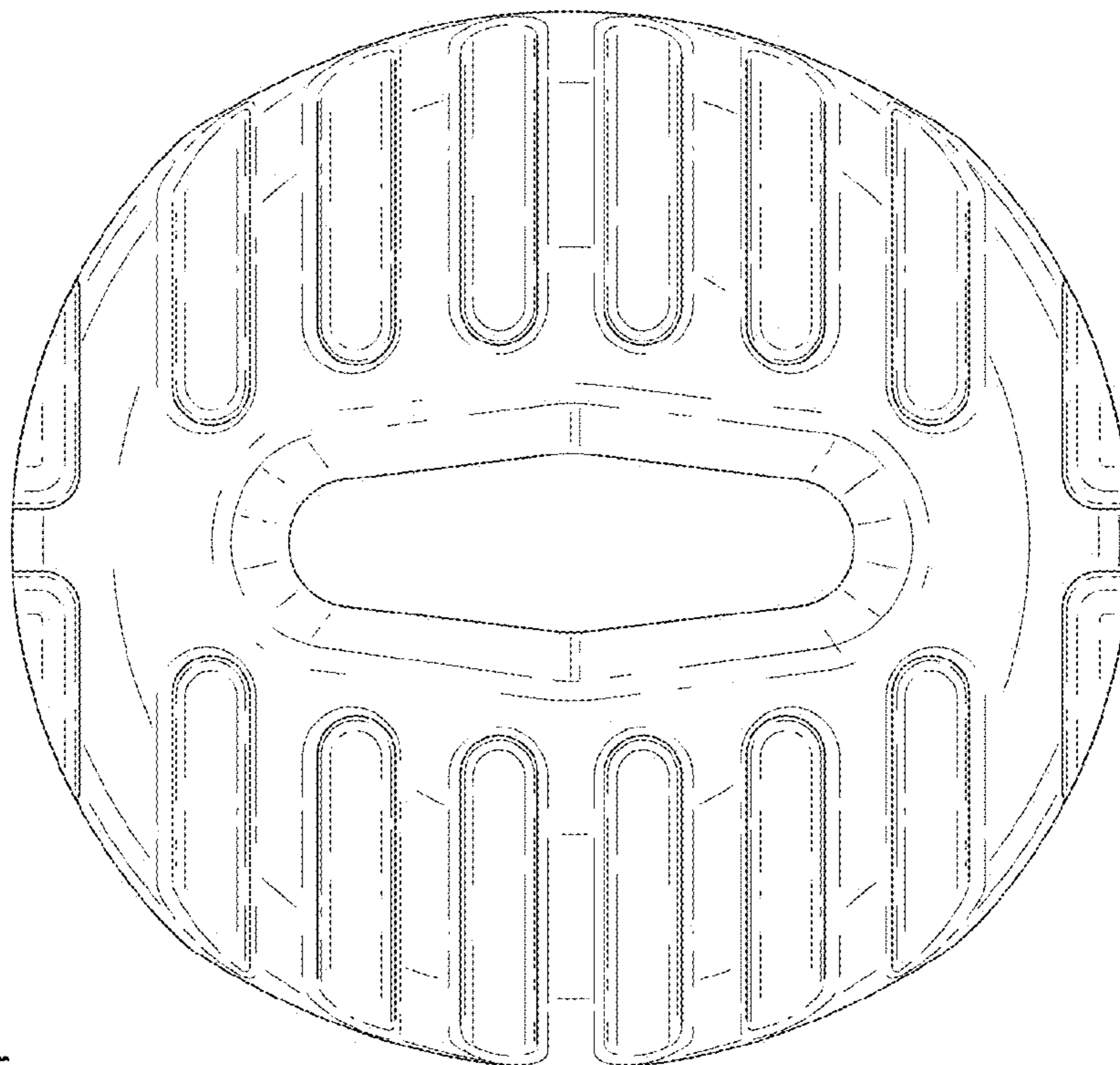


Fig. 6

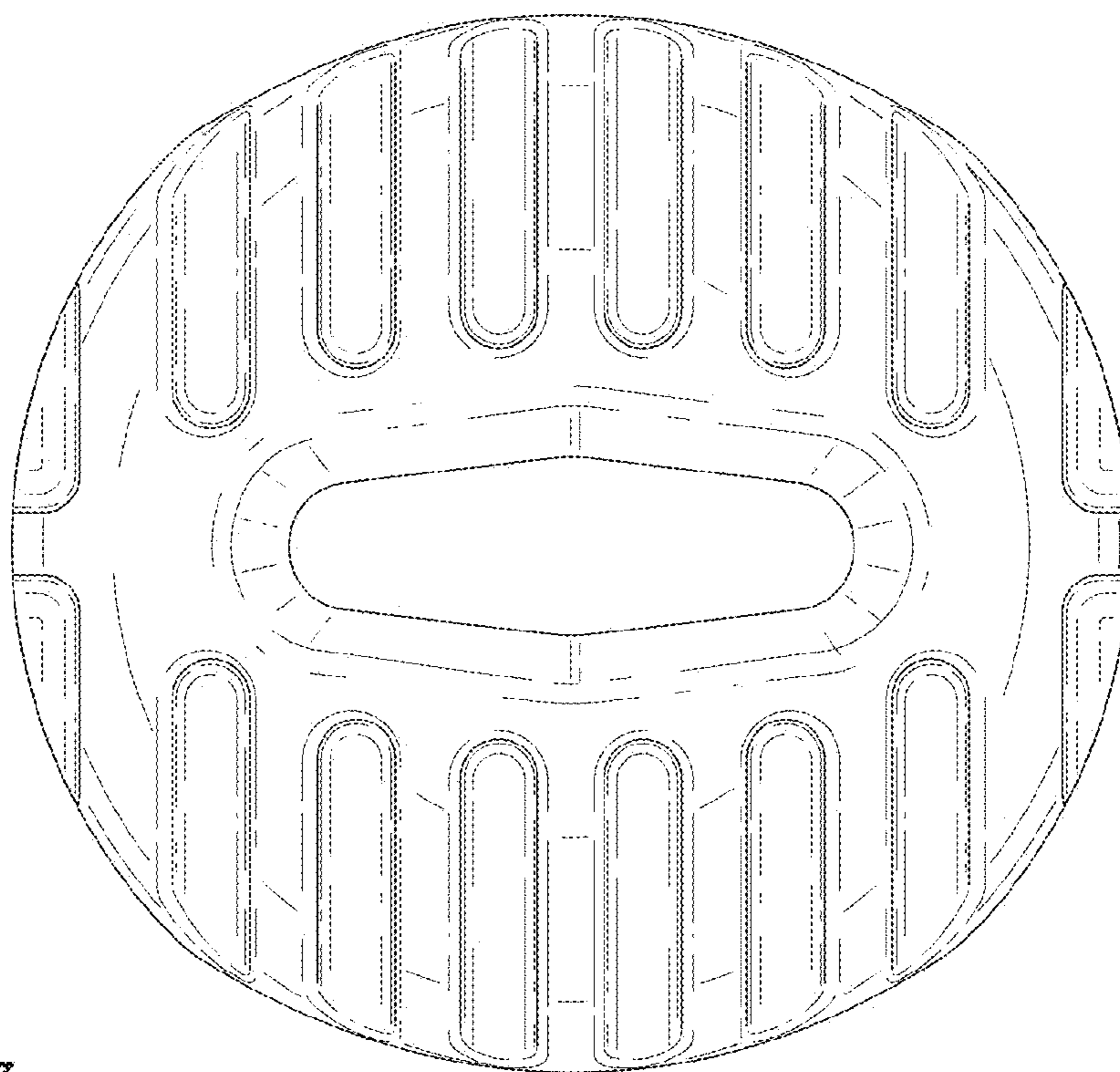


Fig. 7