



US00D706873S

(12) **United States Design Patent**
Kurmlavage

(10) **Patent No.:** **US D706,873 S**

(45) **Date of Patent:** **** Jun. 10, 2014**

- (54) **LABEL HOLDER DEVICE**
- (75) Inventor: **Michael M. Kurmlavage**, Lansdowne, PA (US)
- (73) Assignee: **Spirit Specialty Solutions, Inc.**, Lansdowne, PA (US)
- (**) Term: **14 Years**
- (21) Appl. No.: **29/421,694**
- (22) Filed: **Sep. 4, 2012**
- (51) **LOC (10) Cl.** **20-03**
- (52) **U.S. Cl.**
USPC **D20/43**
- (58) **Field of Classification Search**
USPC D20/10, 19, 43, 44, 99; 40/316, 324, 40/642.01, 642.02, 648-654, 655, 40/657-661, 661.03, 661.05-661.07, 40/661.11; D8/382, 394; D24/119-123
See application file for complete search history.

D586,404 S *	2/2009	Kurmlavage	D20/43
D586,405 S *	2/2009	Kurmlavage	D20/43
D616,033 S *	5/2010	Kurmlavage	D20/43
D616,946 S *	6/2010	Garfinkle et al.	D20/43

* cited by examiner

Primary Examiner — Mary Ann Calabrese
(74) *Attorney, Agent, or Firm* — Robert B. Famiglio; Famiglio & Associates

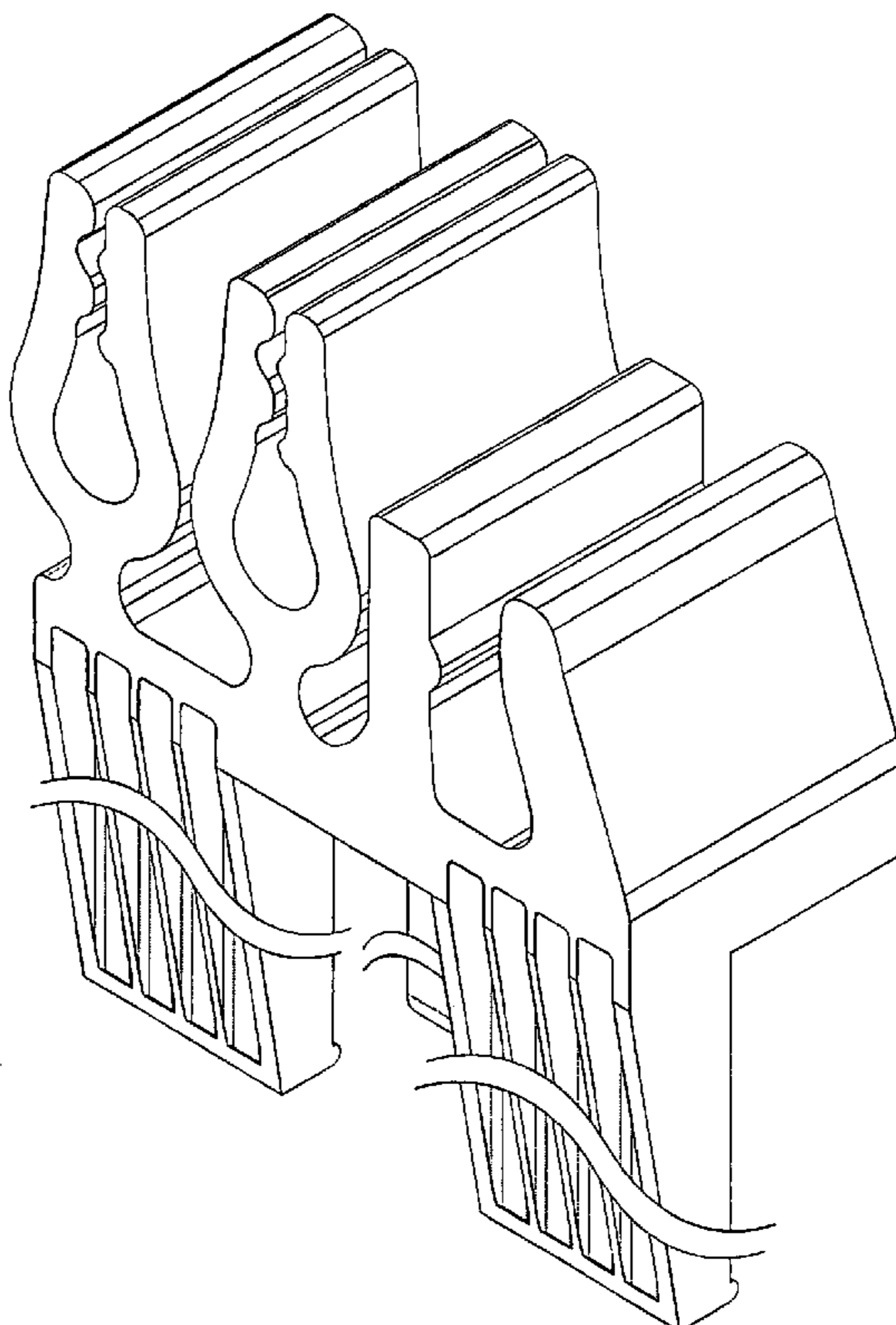
(57) **CLAIM**
The ornamental design for a label holder device, as shown and described.

DESCRIPTION

FIG. 1 is a front perspective view of a label holder device showing my new design.
FIG. 2 is a rear perspective view thereof;
FIG. 3 is another rear perspective thereof;
FIG. 4 is a front elevation view thereof;
FIG. 5 is a right side elevation view thereof;
FIG. 6 is a bottom plan view thereof;
FIG. 7 is a front elevation view thereof;
FIG. 8 is a top plan view thereof; and,
FIG. 9 is a left side elevation view thereof.
The figures are shown broken away to indicate no specific length.

- (56) **References Cited**
U.S. PATENT DOCUMENTS
4,649,658 A * 3/1987 Sarton et al. 40/316
4,882,862 A * 11/1989 Slavsky, Sr. 40/324
D543,447 S * 5/2007 Allsopp D8/394

1 Claim, 4 Drawing Sheets



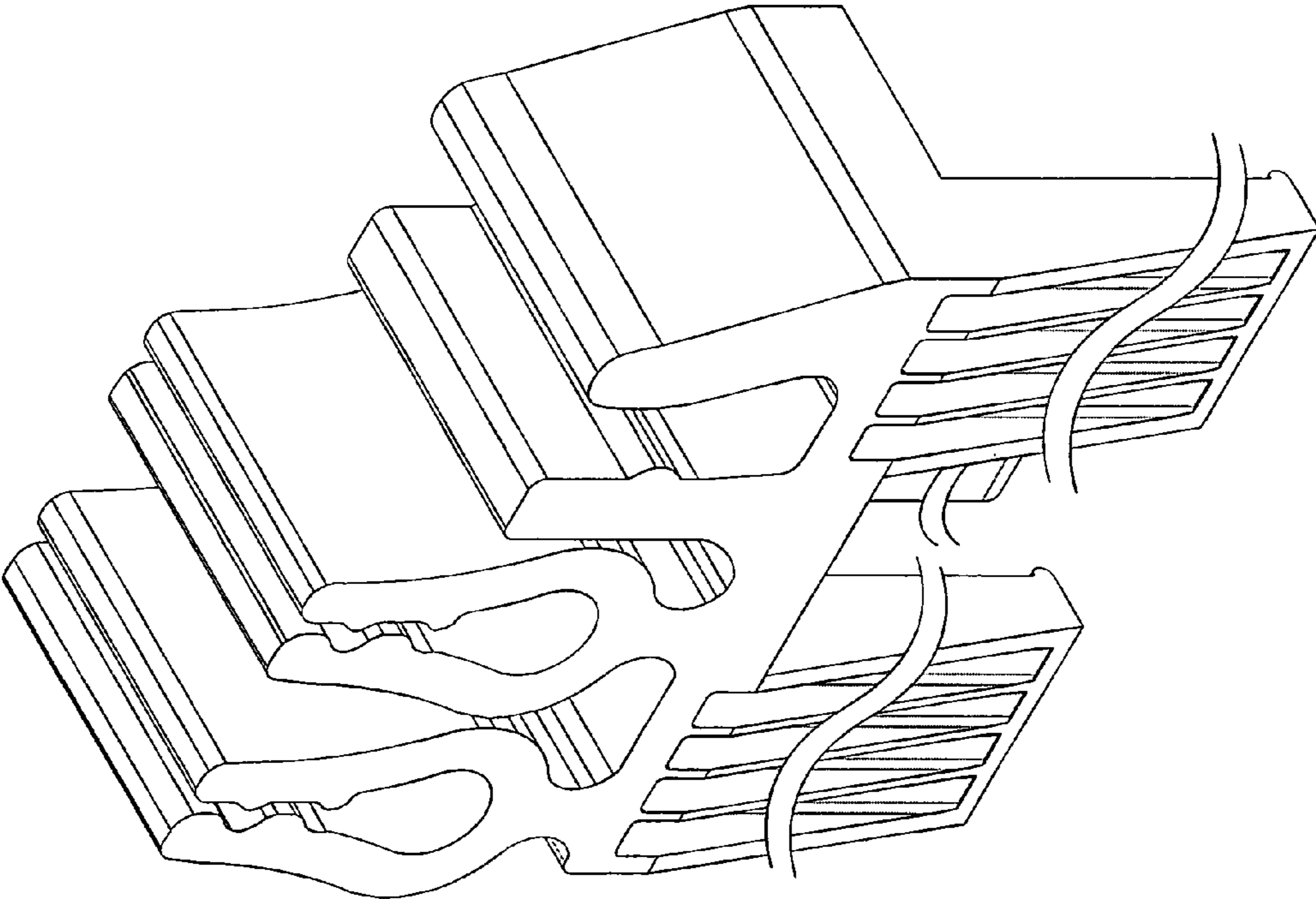


FIG. 1

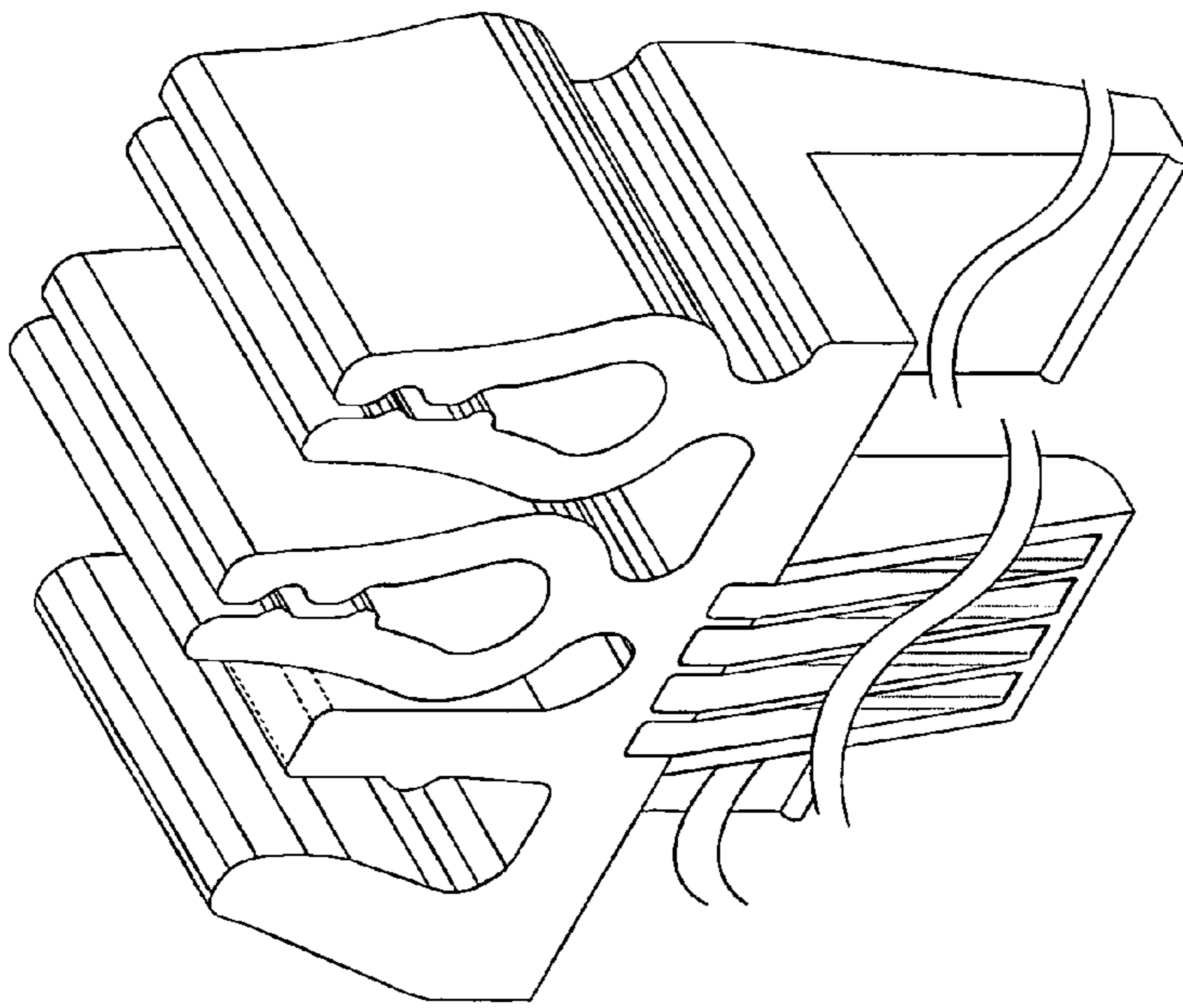


FIG. 2

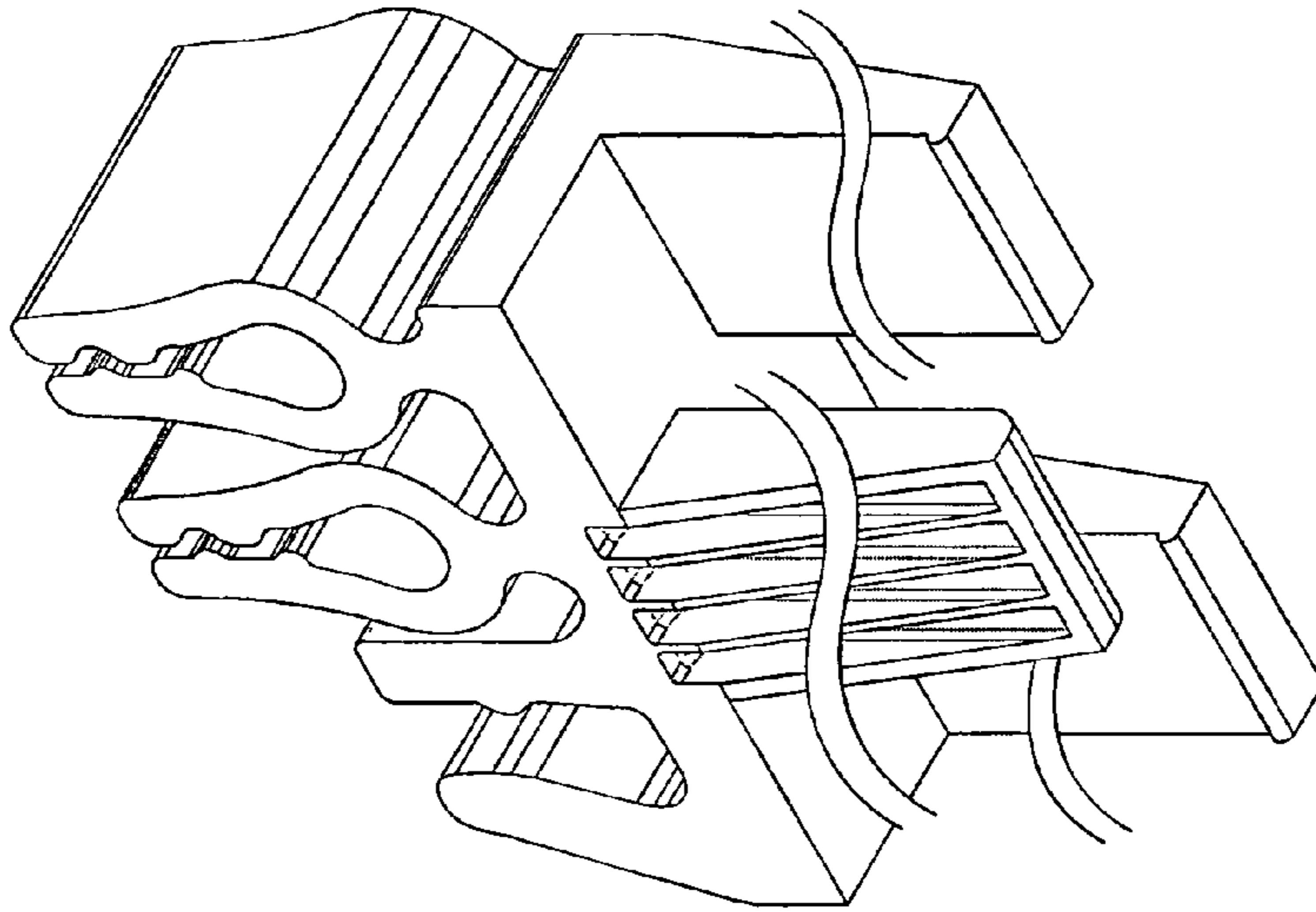


FIG. 3

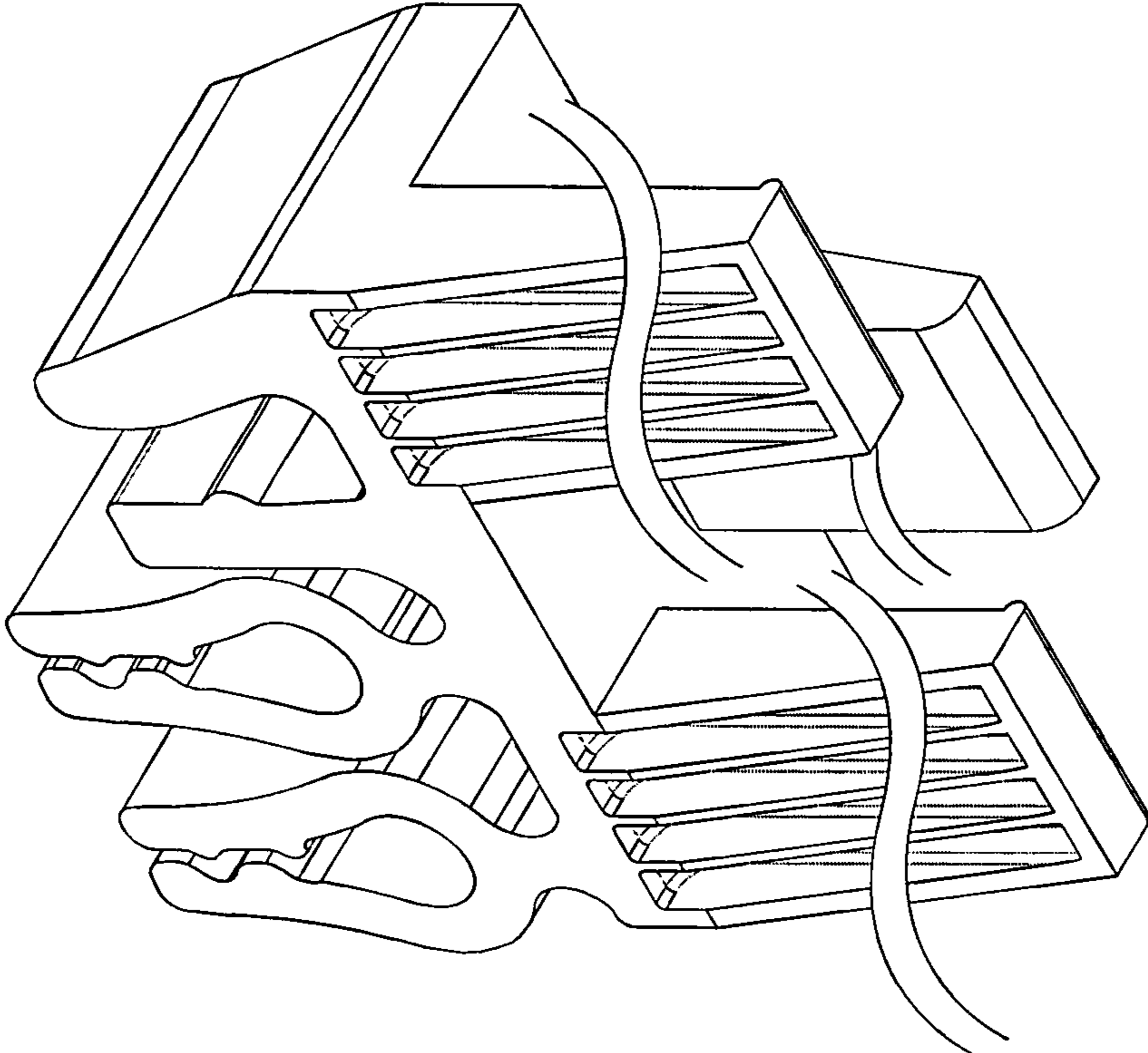


FIG. 4

FIG. 6

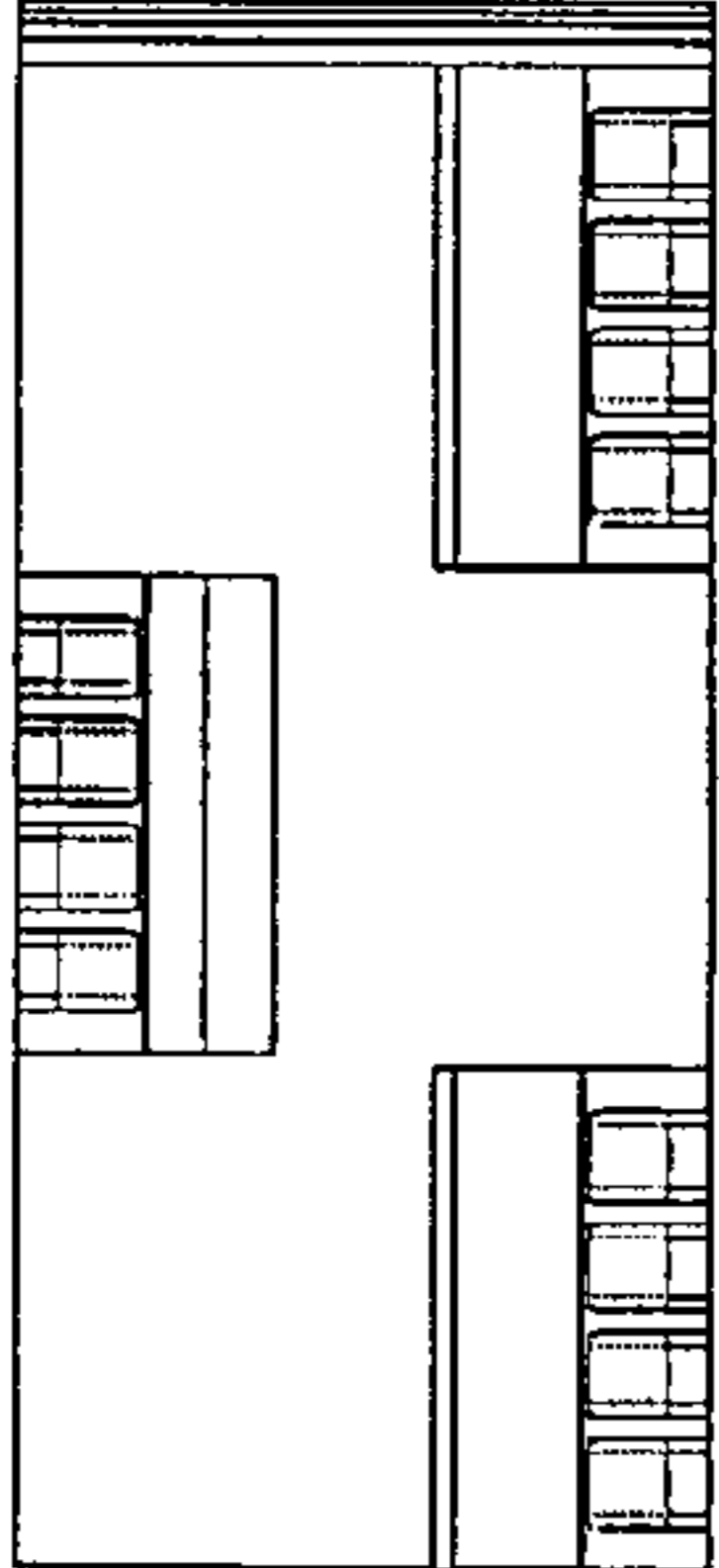


FIG. 5

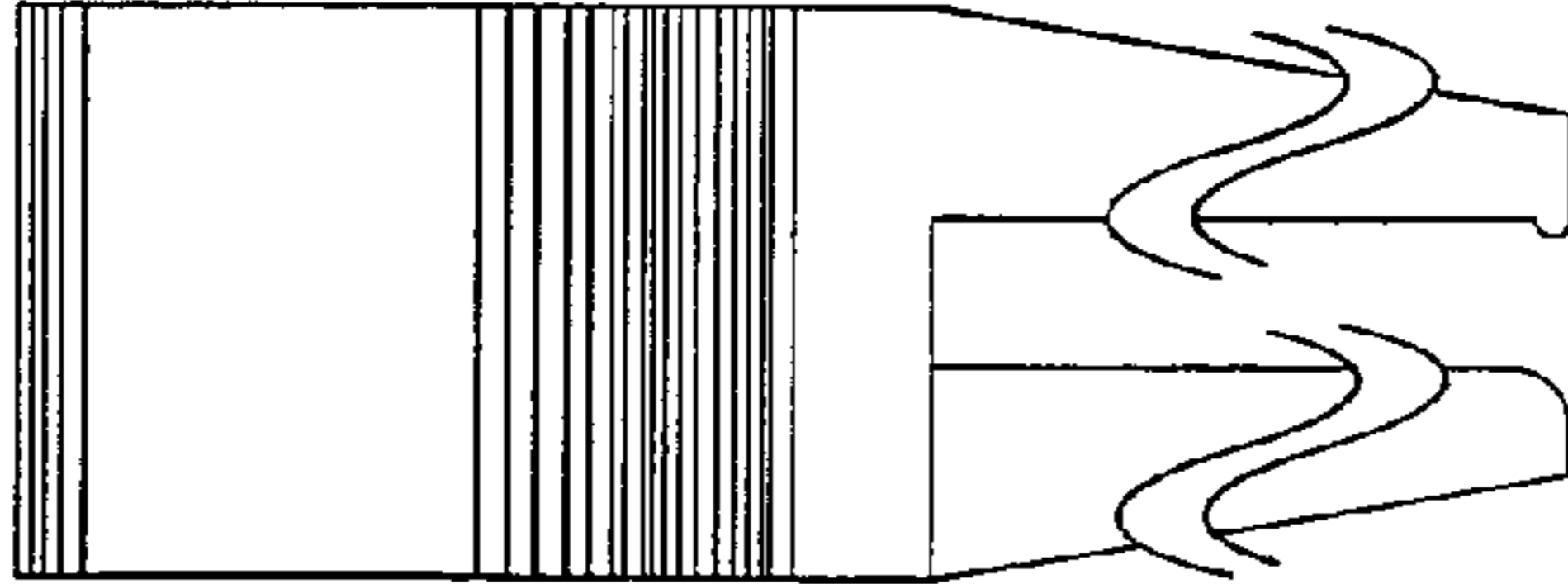


FIG. 9

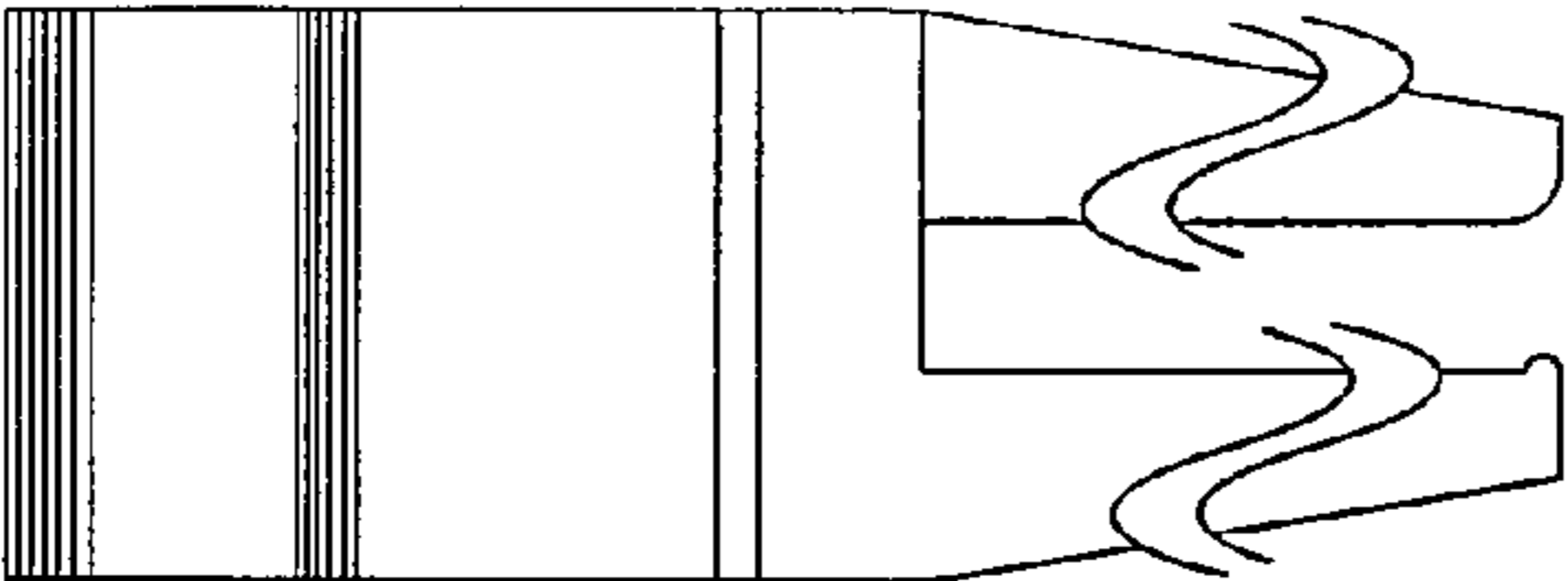


FIG. 7

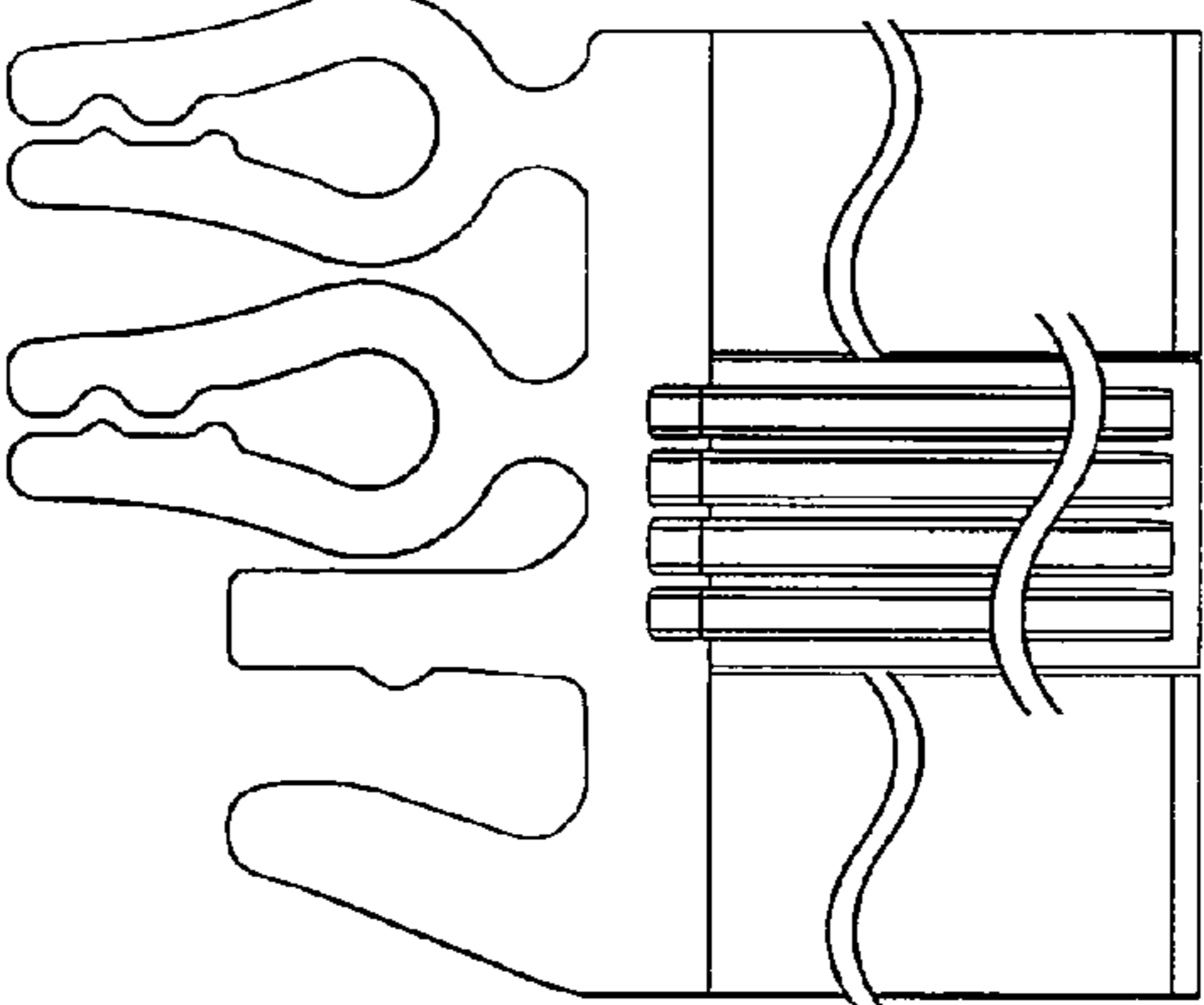


FIG. 8

