



US00D706870S

(12) **United States Design Patent**
Pookrum

(10) **Patent No.:** **US D706,870 S**
(45) **Date of Patent:** **** Jun. 10, 2014**

(54) **PENCIL GRIP**

(71) Applicant: **Dafina A. Pookrum**, Atlanta, GA (US)

(72) Inventor: **Dafina A. Pookrum**, Atlanta, GA (US)

(**) Term: **14 Years**

(21) Appl. No.: **29/437,808**

(22) Filed: **Nov. 20, 2012**

(51) **LOC (10) Cl.** **19-06**

(52) **U.S. Cl.**

USPC **D19/203**

(58) **Field of Classification Search**

USPC D14/411; D19/35, 36, 41-51, 53-58;
24/11 R, 11 F, 11 P; 401/52, 99-109,
401/192, 195, 196, 6; D8/107, DIG. 7,
D8/DIG. 8; D21/682, 694; 16/421, 430
See application file for complete search history.

(56) **References Cited**

U.S. PATENT DOCUMENTS

1,879,456	A *	9/1932	Parsons	401/7
D318,295	S *	7/1991	Sze	D19/55
D328,759	S *	8/1992	Pozil et al.	D19/55
5,143,463	A *	9/1992	Pozil et al.	401/6
D373,143	S *	8/1996	Jagger	D19/55
D396,059	S *	7/1998	Plantz et al.	D19/55
5,797,165	A *	8/1998	Armbrust	16/430
D410,682	S *	6/1999	Izushima	D19/51
6,019,533	A *	2/2000	Smith	401/6
D432,168	S *	10/2000	Provda	D19/55
6,296,409	B1 *	10/2001	Cherry et al.	401/6
D482,591	S *	11/2003	Lisle et al.	D8/107
D486,182	S *	2/2004	Sener et al.	D19/55
D492,350	S *	6/2004	Morrow	D19/55
6,835,019	B2 *	12/2004	White	401/197
7,175,572	B2 *	2/2007	Stonecipher	482/106

D573,866	S *	7/2008	Smith	D8/107
D591,345	S *	4/2009	Yu et al.	D19/44
D611,540	S *	3/2010	Li	D19/55
7,673,770	B2 *	3/2010	Summerfield	220/755
D615,591	S *	5/2010	Li	D19/55
D651,648	S *	1/2012	Luetgens	D19/55
D664,415	S *	7/2012	Gomez	D8/98
D668,294	S *	10/2012	Luetgens	D19/55
D688,338	S *	8/2013	Bisson	D21/694
2002/0072455	A1 *	6/2002	Akins	482/93
2004/0126556	A1 *	7/2004	Nowak et al.	428/304.4
2005/0117958	A1 *	6/2005	Geddes	401/6
2010/0095487	A1 *	4/2010	Gitman et al.	16/430

* cited by examiner

Primary Examiner — Elizabeth Albert

(74) *Attorney, Agent, or Firm* — Mei & Mark LLP; Krystyna Colantoni

(57) **CLAIM**

I claim the ornamental design for a pencil grip, as shown and described.

DESCRIPTION

FIG. 1 is a perspective view of the pencil grip showing my new design;

FIG. 2 is another perspective view thereof;

FIG. 3 is a front view thereof;

FIG. 4 is a back view thereof;

FIG. 5 is a left side view thereof;

FIG. 6 is a right side view thereof;

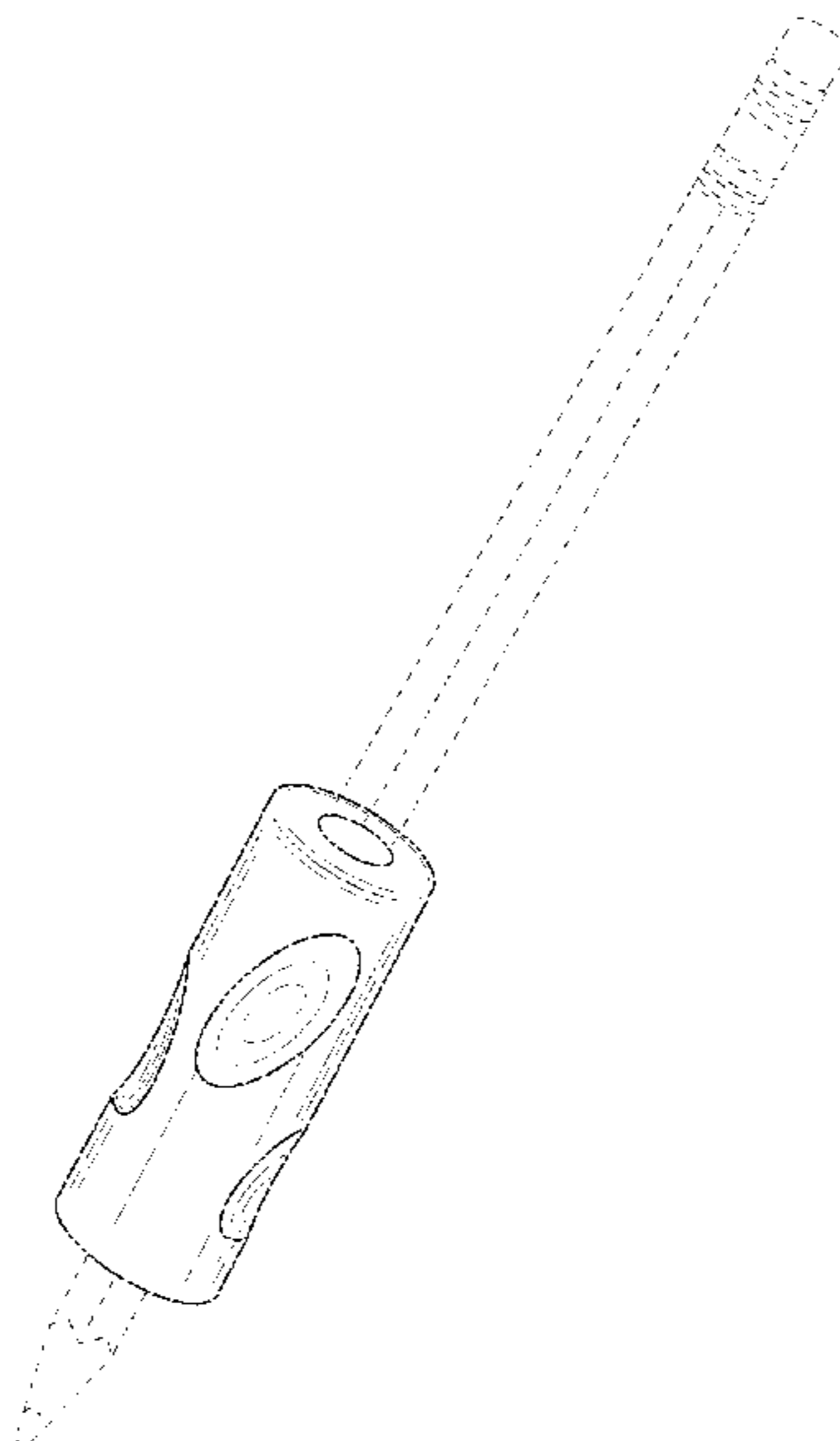
FIG. 7 is a top view thereof;

FIG. 8 is a bottom view thereof; and,

FIG. 9 is another perspective view thereof.

The broken lines showing a pencil in FIG. 1 and a pencil in a hand in FIG. 9 are included for the purpose of showing environmental features that form no part of the claimed design.

1 Claim, 6 Drawing Sheets



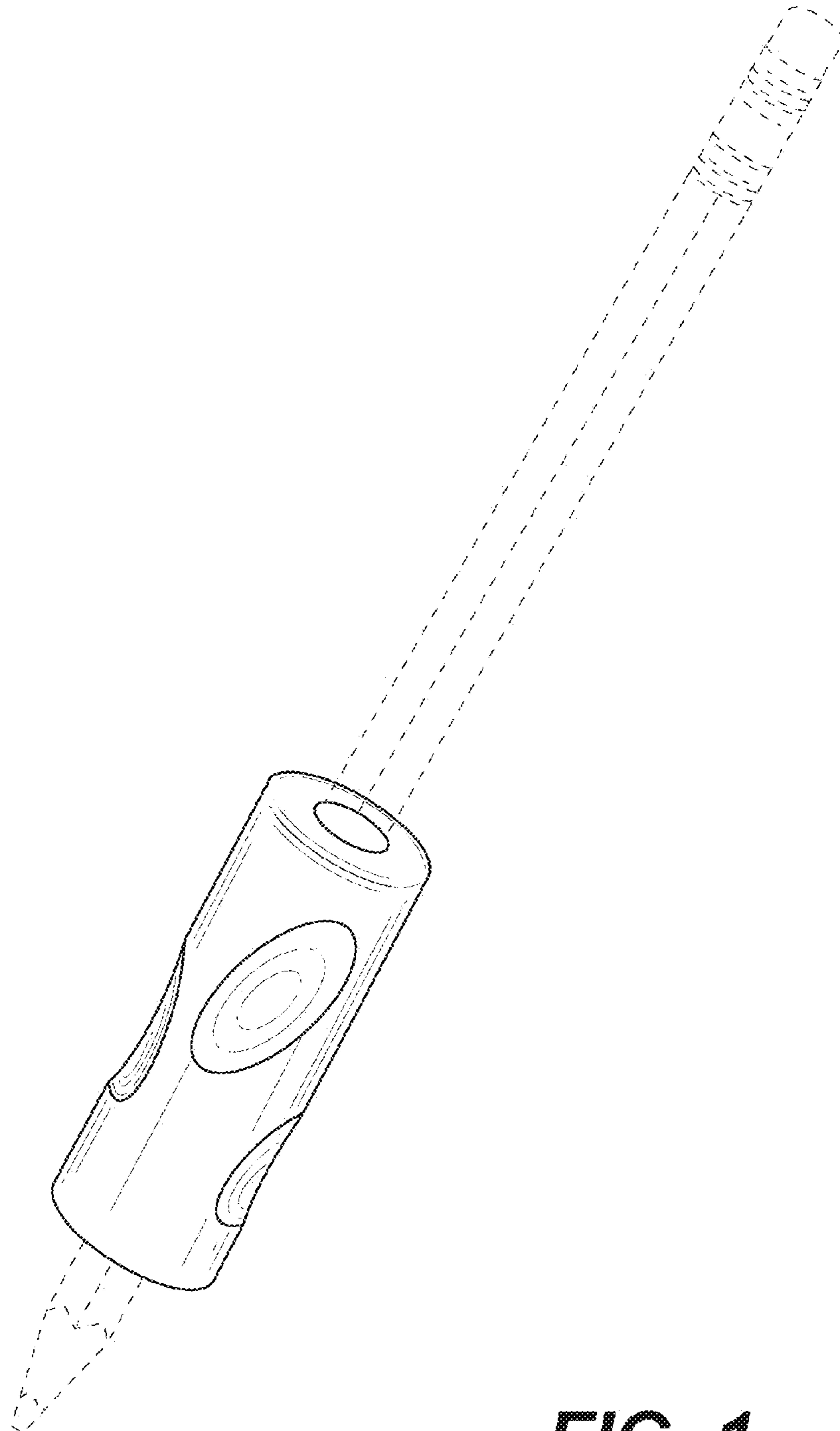


FIG. 1

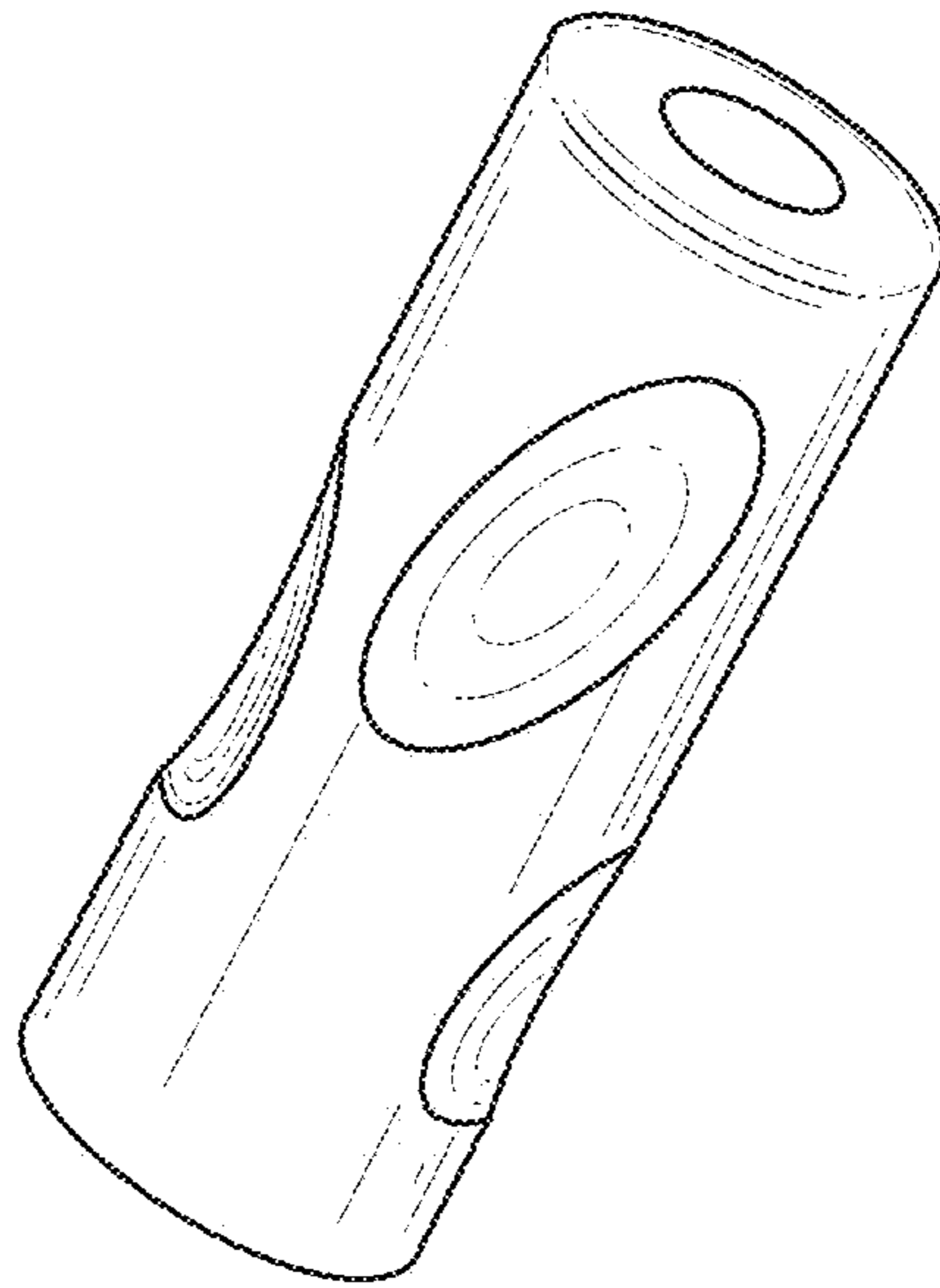


FIG. 2

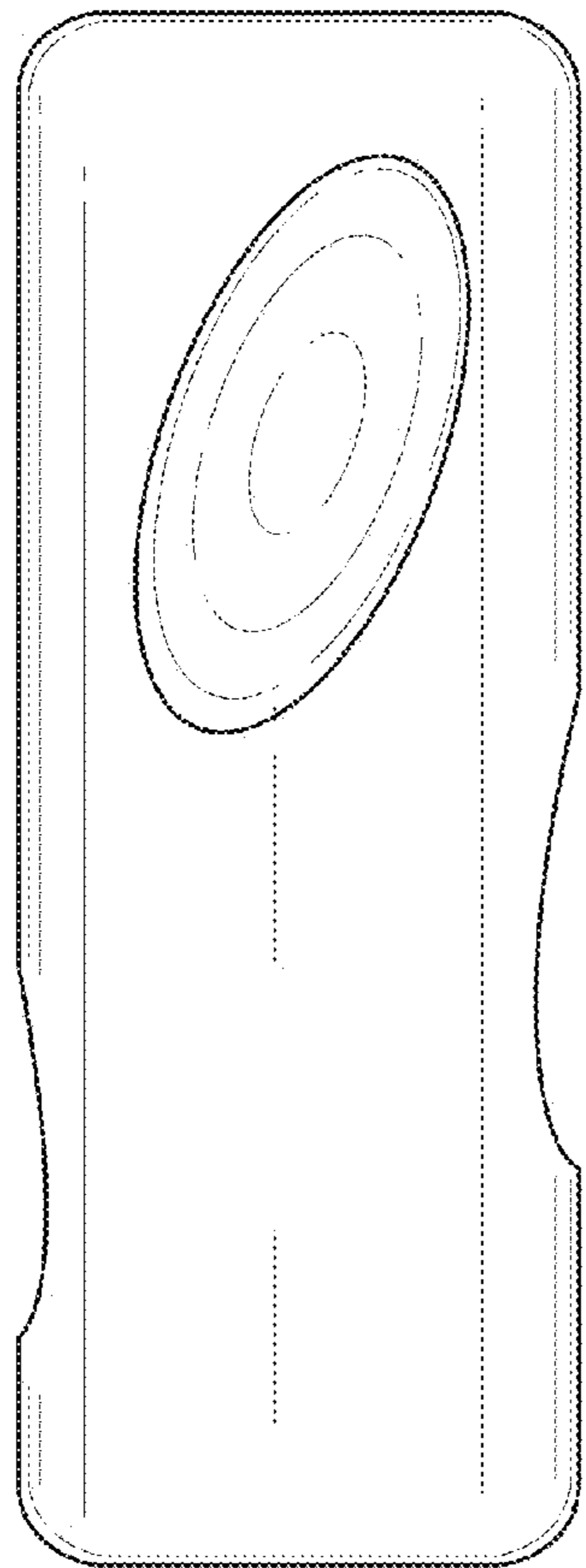


FIG. 3

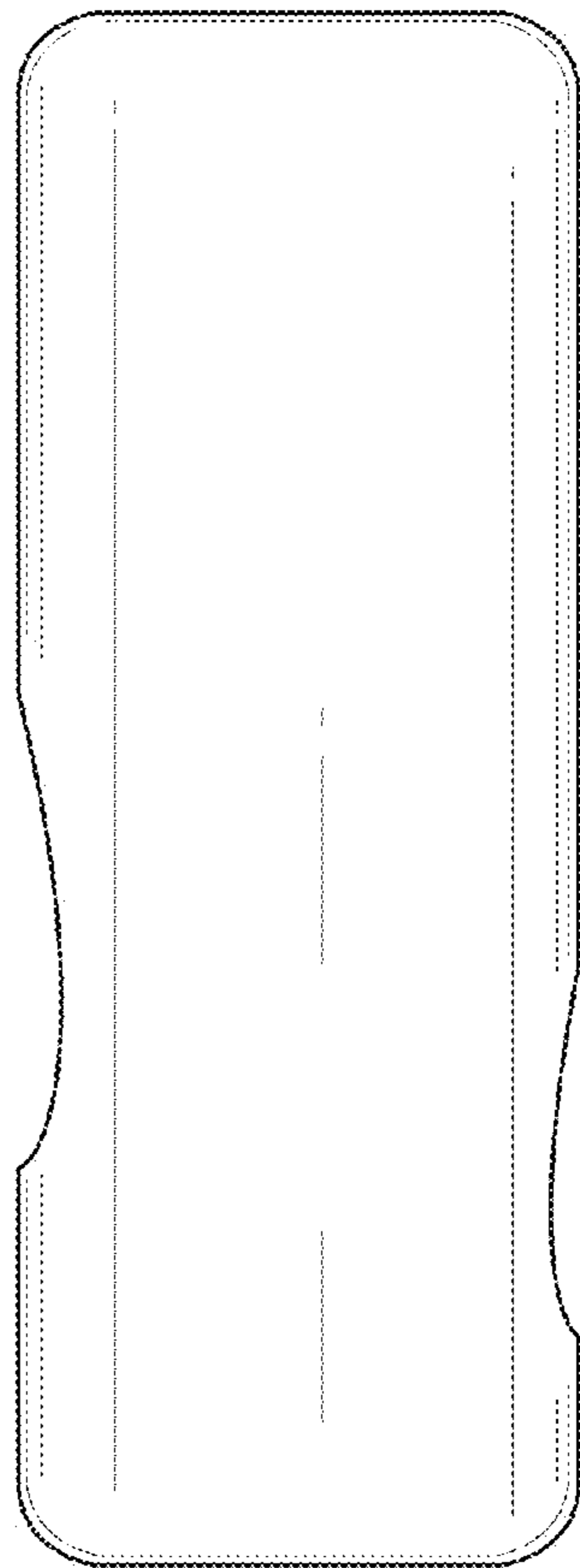


FIG. 4

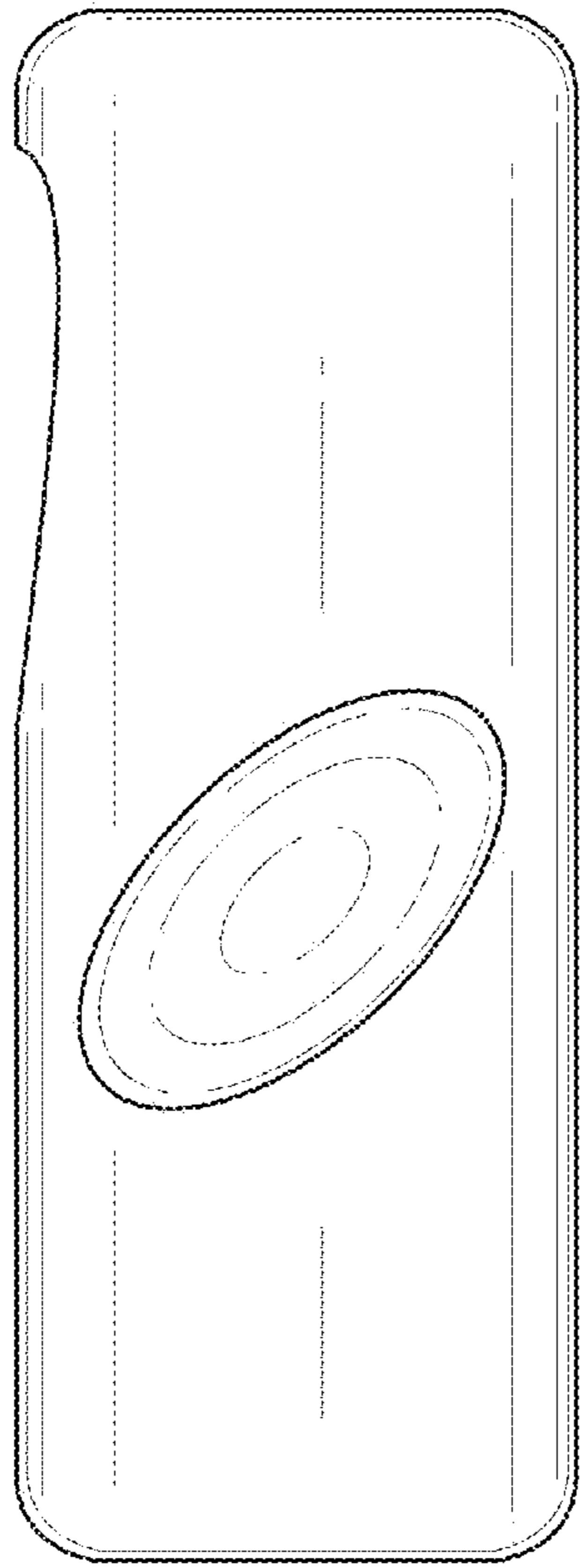


FIG. 5

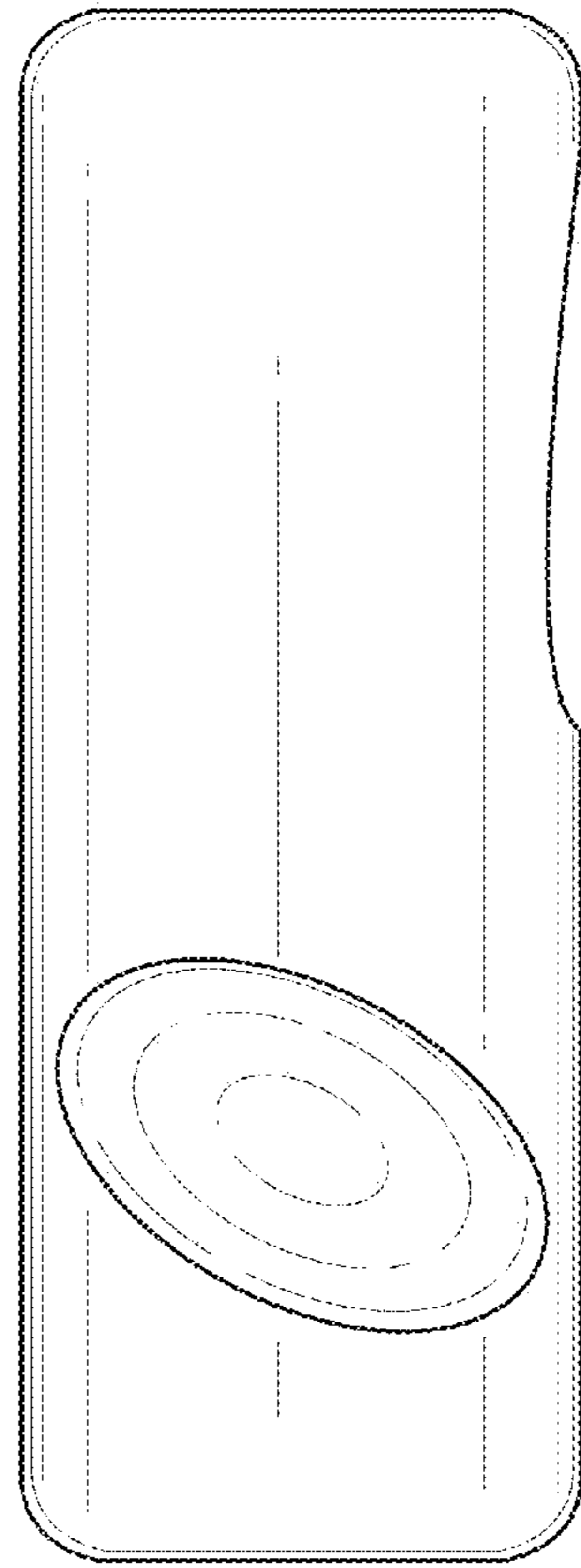


FIG. 6

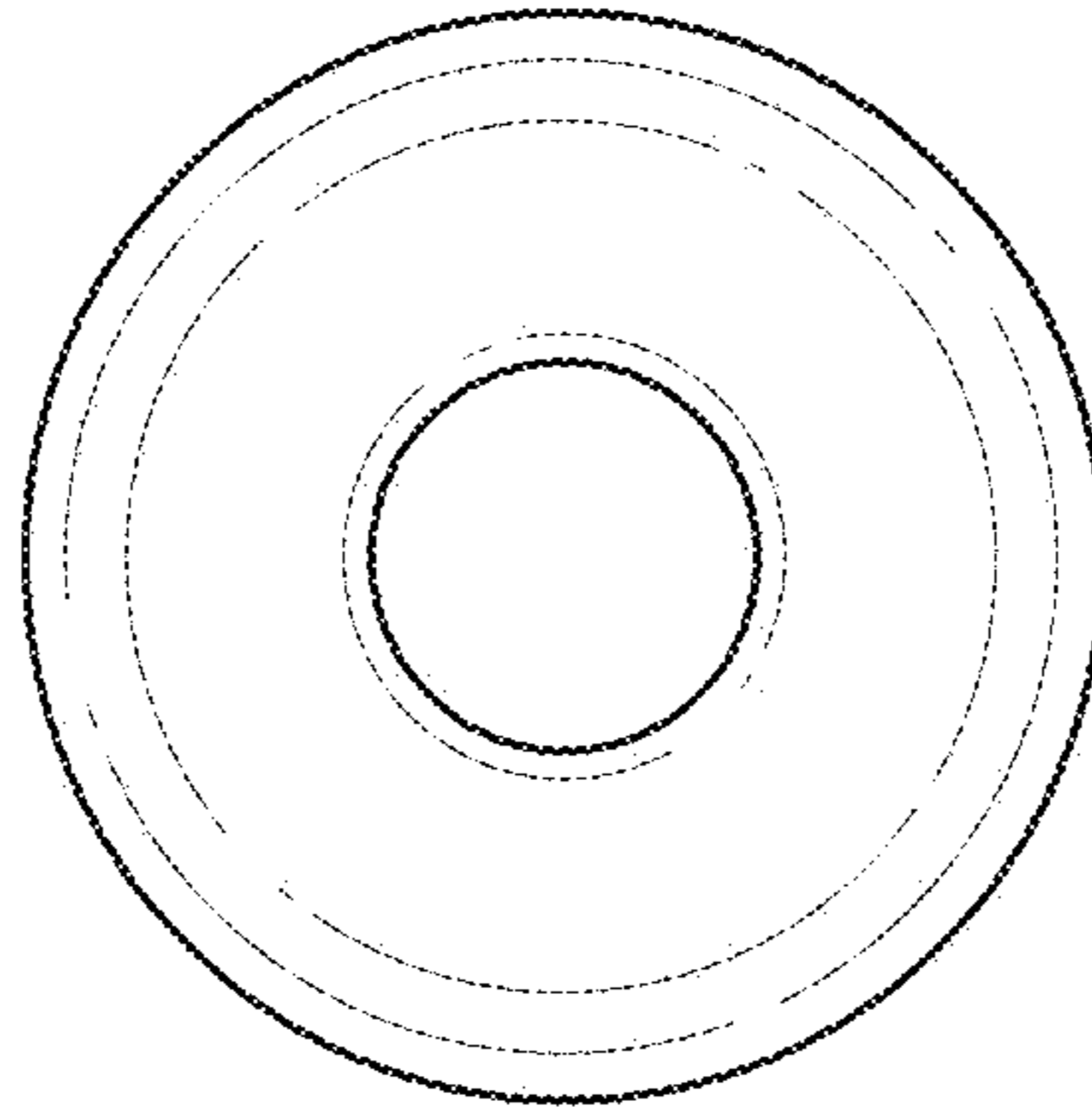


FIG. 7

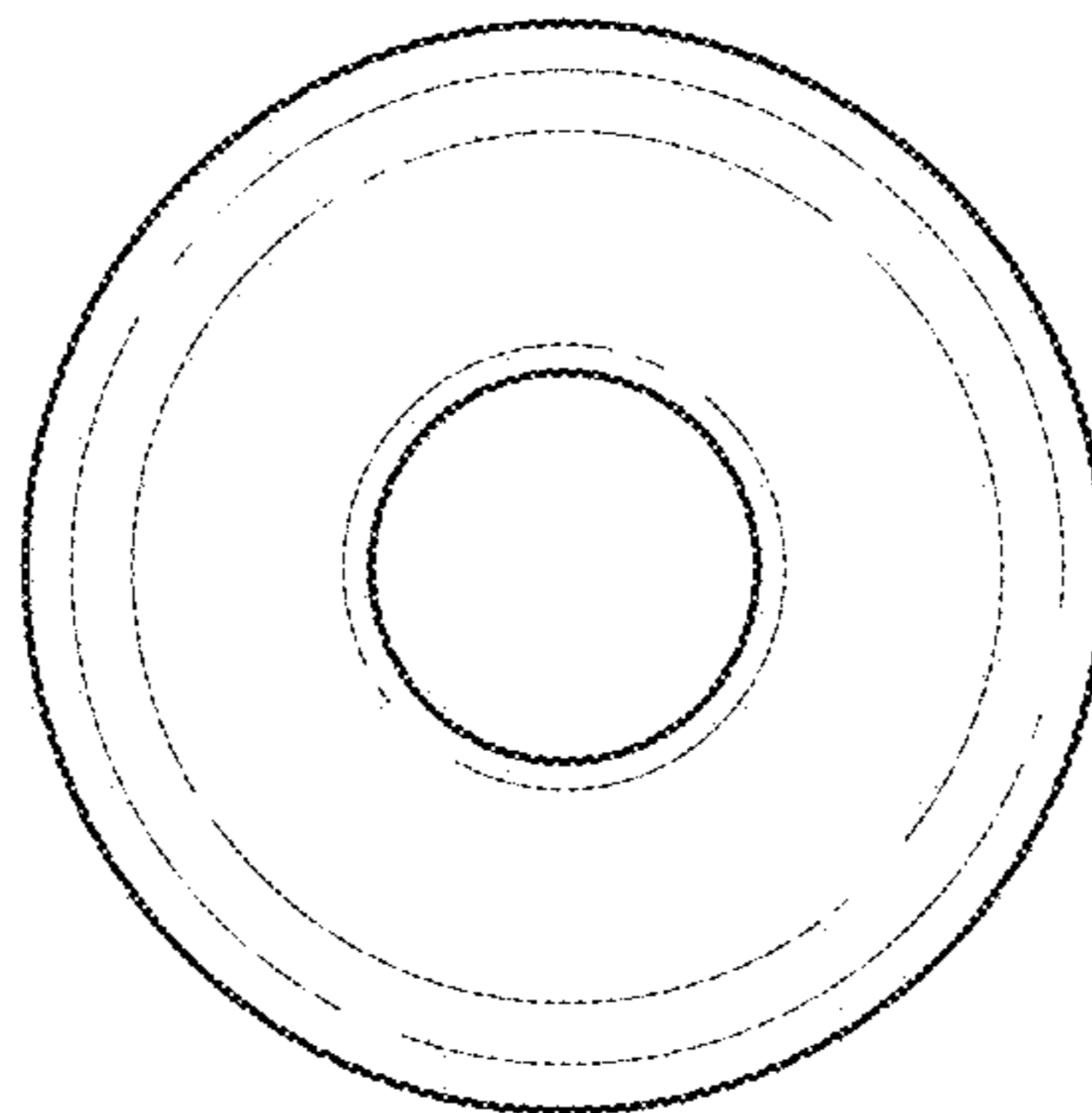


FIG. 8

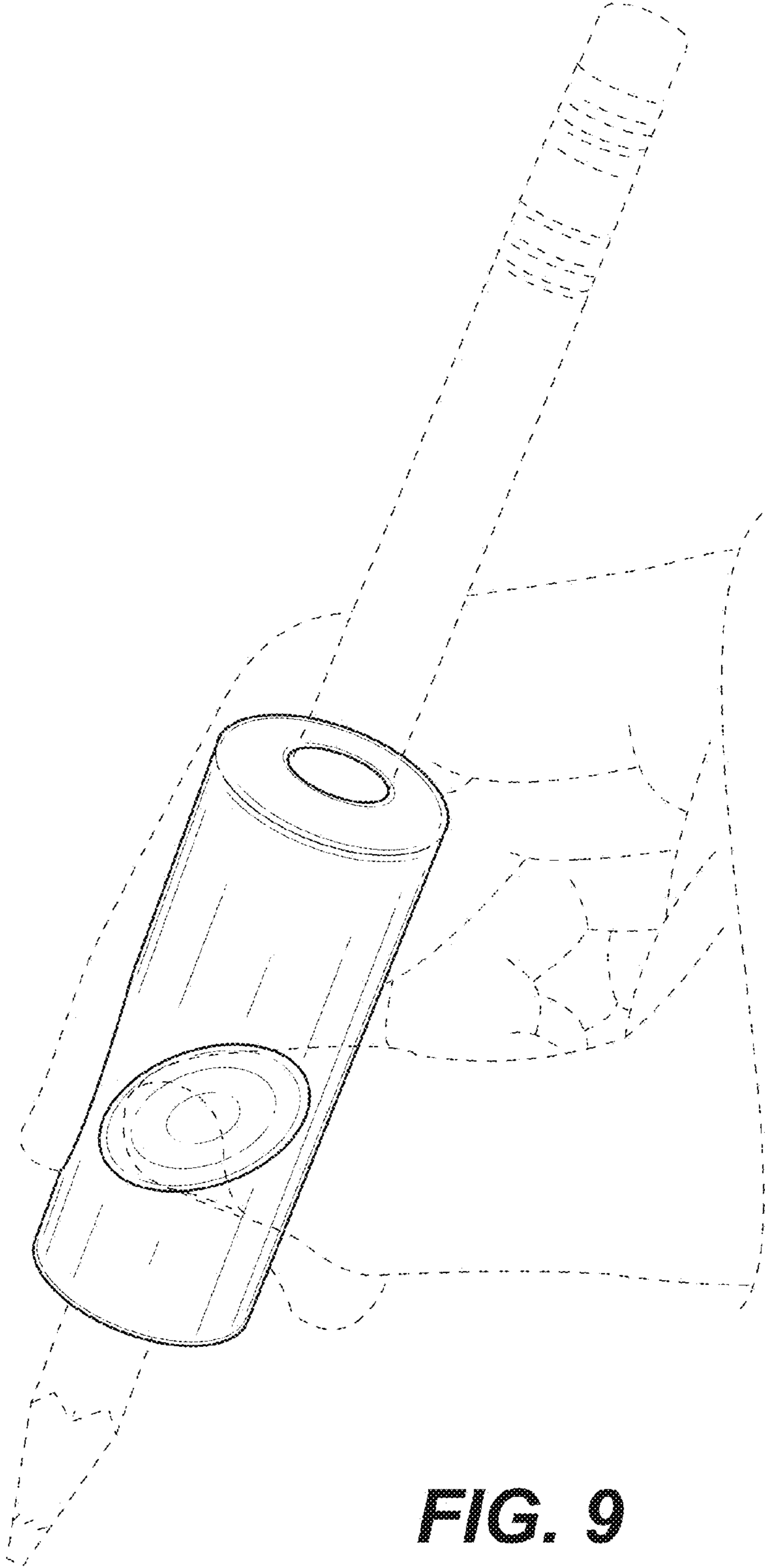


FIG. 9