



US00D706869S

(12) **United States Design Patent**
Tunis et al.

(10) **Patent No.:** **US D706,869 S**
(45) **Date of Patent:** **** Jun. 10, 2014**

- (54) **DRY ERASE WHITEBOARD**
- (71) Applicants: **Hardwire LLC**, Pocomoke City, MD (US); **George C. Tunis**, Pocomoke City, MD (US)
- (72) Inventors: **George C. Tunis**, Ocean City, MD (US); **Scott Kendall**, Berlin, MD (US); **Emily Heinauer**, Arlington, VA (US)
- (73) Assignee: **Hardwire, LLC**, Pocomoke City, MD (US)
- (**) Term: **14 Years**
- (21) Appl. No.: **29/476,759**
- (22) Filed: **Dec. 17, 2013**
- (51) **LOC (10) Cl.** **19-06**
- (52) **U.S. Cl.**
USPC **D19/113**
- (58) **Field of Classification Search**
USPC D6/300-314, 700; D19/88, 90, 91, 113; D20/10, 27, 39, 40, 42; 40/538, 584, 40/607.01, 611.01; 248/441.1, 444.1; 312/230; 434/408, 410, 415
See application file for complete search history.

- D354,087 S 1/1995 Dunlap et al.
- 5,422,155 A 6/1995 Spence, Jr.
- D363,417 S * 10/1995 Kelley D7/698
- 5,527,568 A 6/1996 Boone et al.
- D410,683 S * 6/1999 Carter D19/52
- D467,965 S * 12/2002 Haas D19/10
- D488,835 S * 4/2004 Haruhiro D19/90
- D535,256 S 1/2007 Fort et al.
- D570,166 S * 6/2008 Brownlee D7/698
- 7,429,706 B2 * 9/2008 Ho 178/18.01
- D604,053 S * 11/2009 Liu et al. D6/308
- D623,693 S 9/2010 Hoch et al.
- D630,914 S * 1/2011 Aviles D7/698
- 8,186,640 B2 * 5/2012 Bertrand 248/464
- D669,531 S * 10/2012 Kong et al. D19/52
- D677,257 S 3/2013 Andre et al.
- D687,100 S 7/2013 Tunis et al.
- D694,332 S * 11/2013 Tunis et al. D19/88
- 2005/0236347 A1 * 10/2005 Cole et al. 211/94.01
- 2010/0176266 A1 * 7/2010 Minkley et al. 248/476

* cited by examiner

Primary Examiner — Elizabeth Albert
(74) *Attorney, Agent, or Firm* — McLane, Graf, Raulerson & Middleton, PA

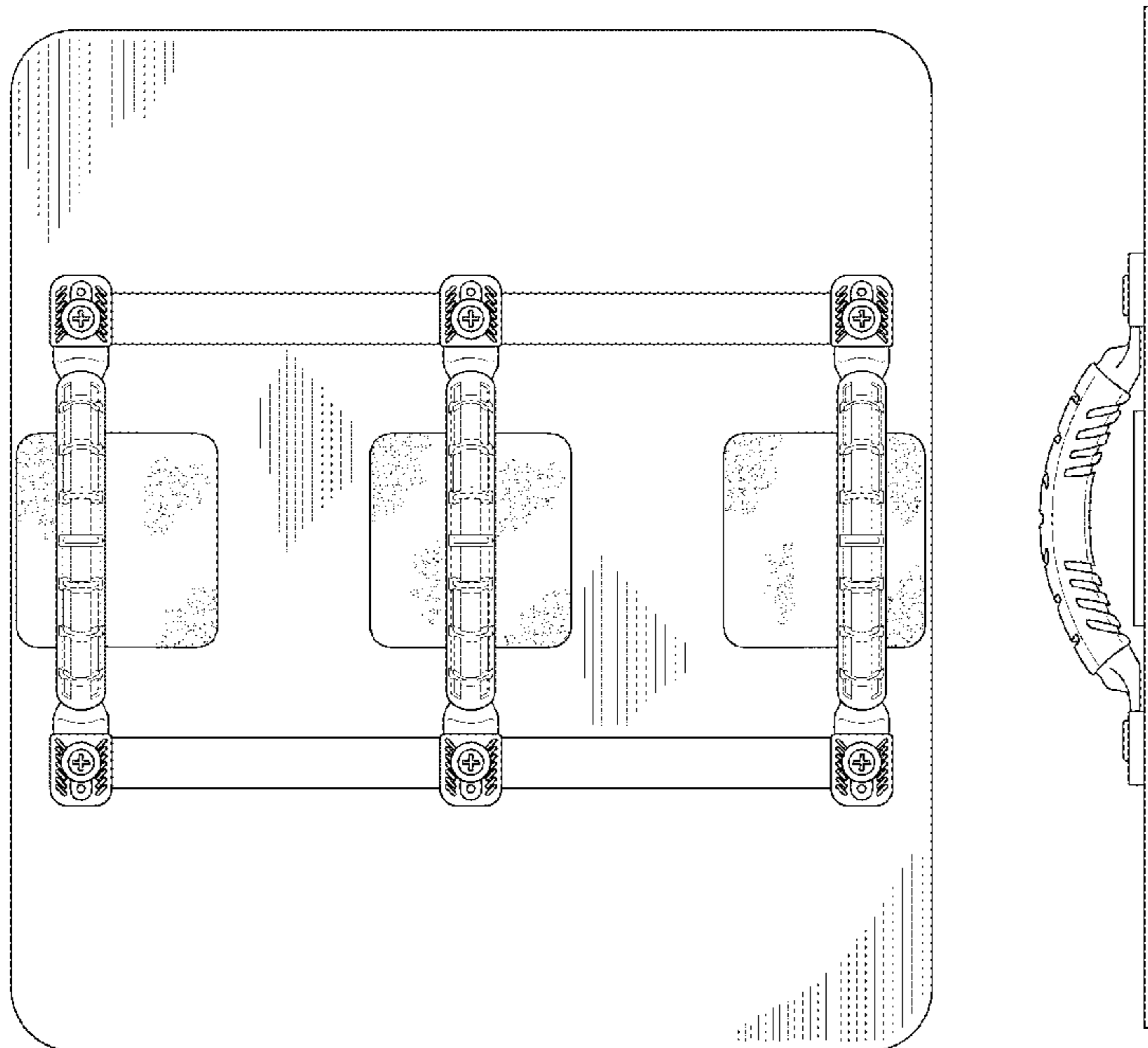
(57) **CLAIM**
The ornamental design for a dry erase whiteboard, as shown.

DESCRIPTION

FIG. 1 is a front view of a dry erase whiteboard in accordance with the present invention;
FIG. 2 is a rear view thereof;
FIG. 3 is a left side view thereof;
FIG. 4 is a right side view thereof;
FIG. 5 is a top view thereof; and,
FIG. 6 is a bottom view thereof.

1 Claim, 4 Drawing Sheets

- (56) **References Cited**
U.S. PATENT DOCUMENTS
- D23,933 S 1/1895 Odgers
- 1,361,678 A 12/1920 Buck
- D164,008 S 7/1951 Loyd
- D264,419 S * 5/1982 Dorman et al. D7/698
- 4,648,189 A 3/1987 Michel
- D298,489 S 11/1988 Sornborger
- 5,161,827 A * 11/1992 Grosso 283/77



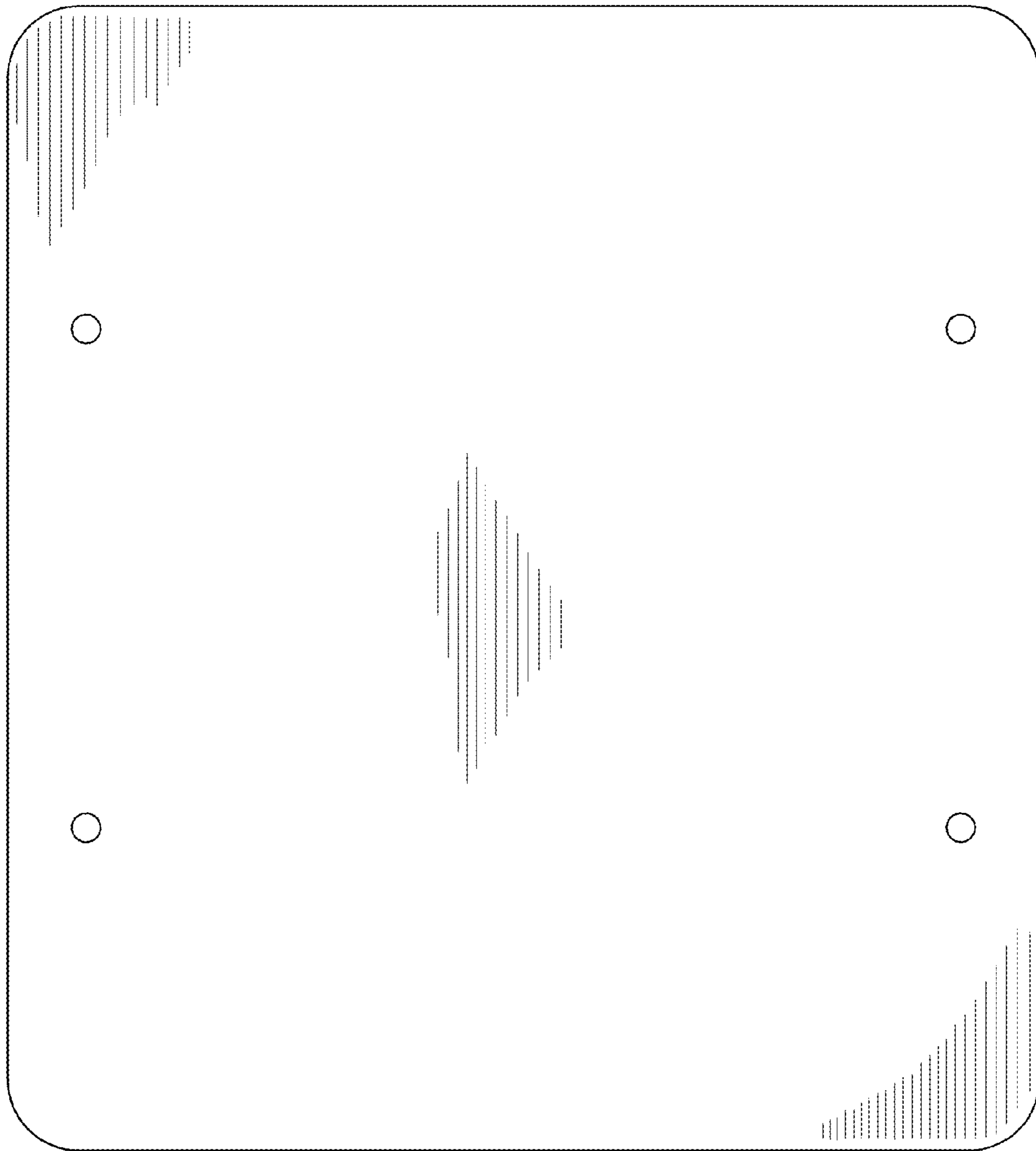


FIG. 1

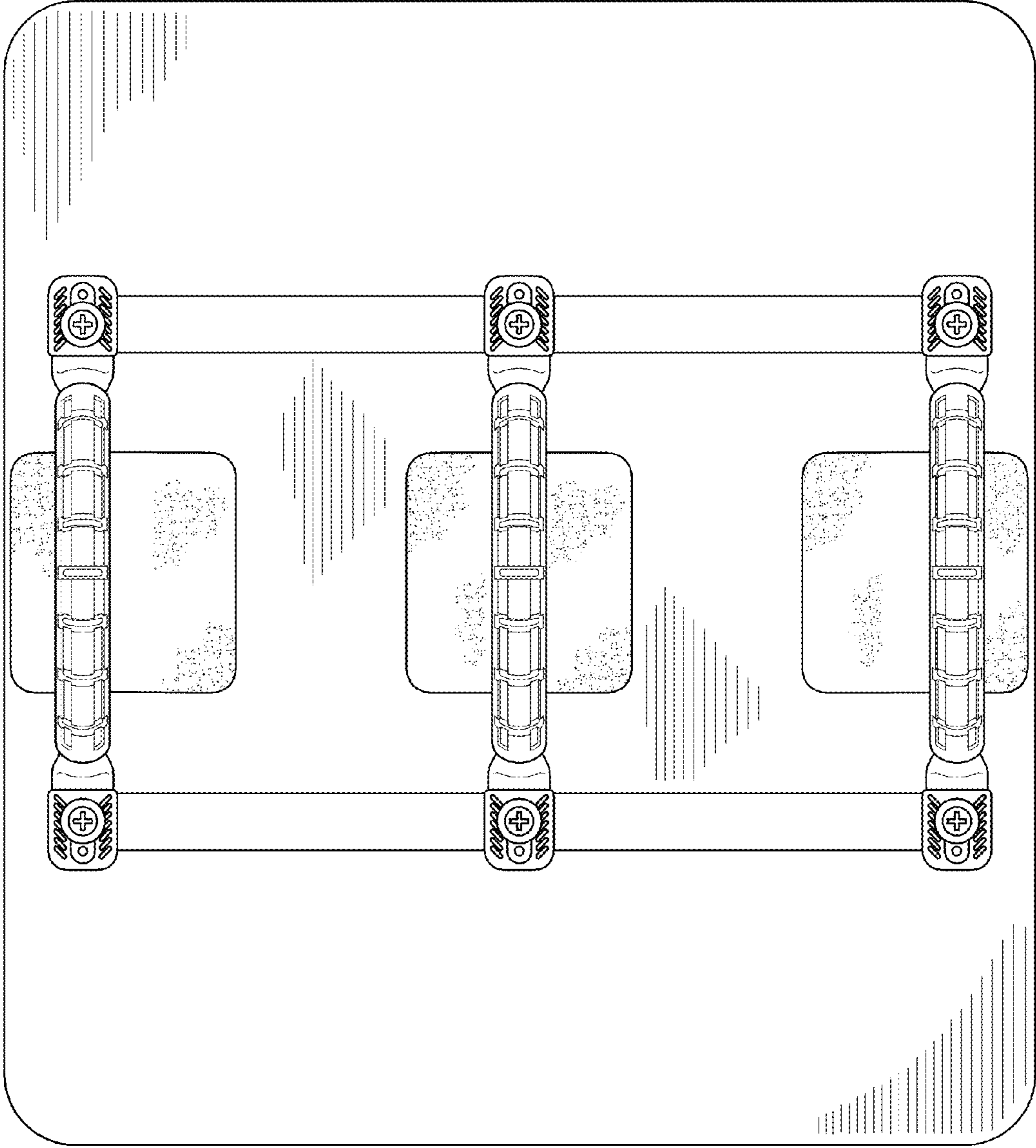


FIG. 2

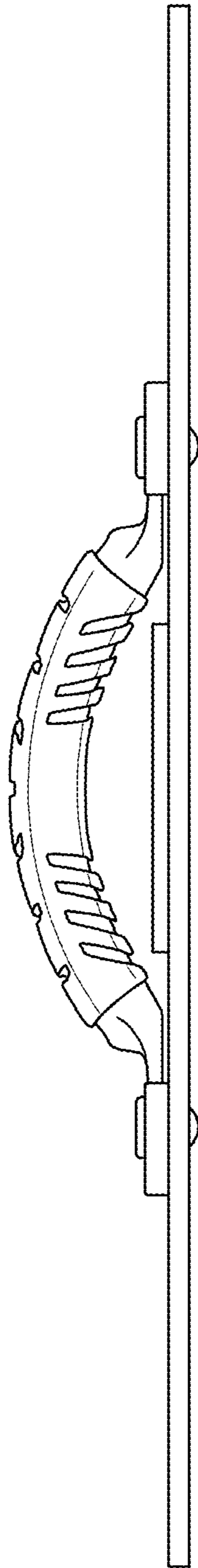


FIG. 3

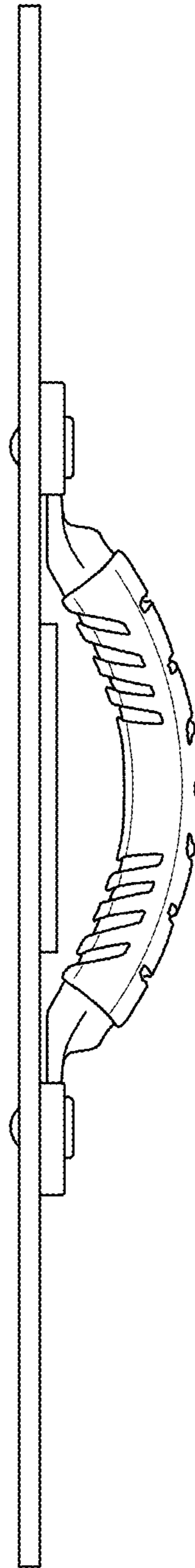


FIG. 4

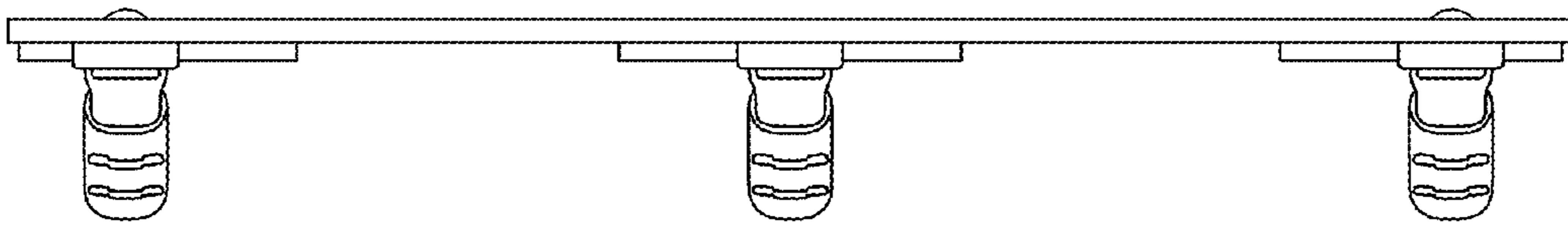


FIG. 5

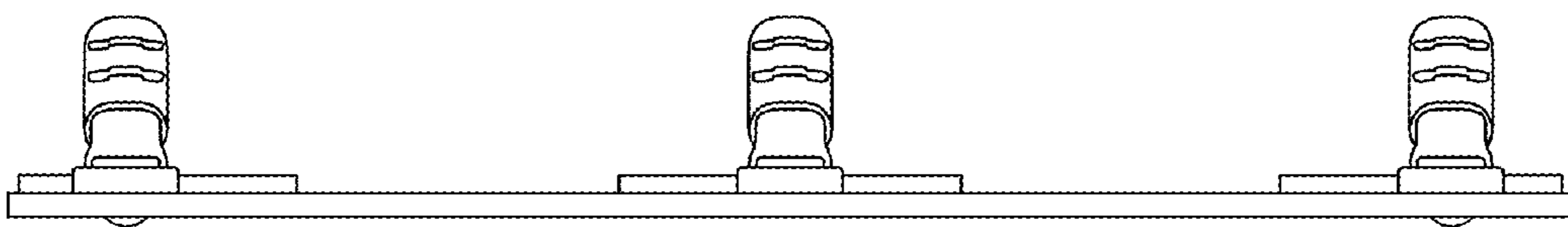


FIG. 6