



US00D706867S

(12) **United States Design Patent**
Jordan

(10) **Patent No.:** **US D706,867 S**
(45) **Date of Patent:** **** Jun. 10, 2014**

(54) **UNIVERSAL SERIAL BUS POSTCARD MAILER**

D629,459 S * 12/2010 Clegg et al. D19/1
D643,060 S * 8/2011 Clegg et al. D19/1
D657,416 S * 4/2012 Jordan D19/3
D677,329 S * 3/2013 Rosenthal et al. D19/3

(76) Inventor: **Uvalda Lynn Jordan**, Miami, FL (US)

* cited by examiner

(**) Term: **14 Years**

Primary Examiner — Caron D Veynar

(21) Appl. No.: **29/431,104**

Assistant Examiner — Abraham Bahta

(22) Filed: **Sep. 4, 2012**

(74) *Attorney, Agent, or Firm* — Albert Bordas, P.A.

(51) **LOC (10) Cl.** **19-08**

(52) **U.S. Cl.**
USPC **D19/2**

(58) **Field of Classification Search**
USPC D19/1-8, 75, 86, 100; 229/67.4, 928,
229/307, 92, 92.1, 92.8, 67.3, 68.1, 76, 309,
229/67.1; 206/449, 424, 308.1, 308.3, 309,
206/313; 462/64-65; D20/27, 22, 40;
40/672, 124.01-124.15; 283/74, 75,
283/103, 105-106, 116-117; D9/433
See application file for complete search history.

(57) **CLAIM**

The ornamental design for a universal serial bus postcard mailer, as shown and described.

(56) **References Cited**

DESCRIPTION

U.S. PATENT DOCUMENTS

4,167,241 A * 9/1979 Zumbrunn 229/92.8
D258,453 S * 3/1981 Hewitt et al. D19/3
D483,064 S * 12/2003 Woods et al. D19/3
D510,383 S * 10/2005 Potter et al. D19/3
D511,793 S * 11/2005 Rittman et al. D19/2
D536,375 S * 2/2007 Potter et al. D19/3
D580,973 S * 11/2008 Turner et al. D19/1
D591,341 S * 4/2009 Fagan D19/3
D621,872 S * 8/2010 Jordan D19/3

FIG. 1 is a top view of a universal serial bus postcard mailer, the bottom view being a mirror image thereof;
FIG. 2 is a front elevational view thereof;
FIG. 3 is a rear elevational view thereof;
FIG. 4 is a right view thereof, the left view being a mirror image thereof;
FIG. 5 is a front isometric view thereof; and,
FIG. 6 is a rear isometric view thereof.
The dotted lines represent perforations for easy opening.
The broken lines are for environmental purposes only and form no part of the claimed design.
The claimed universal serial bus postcard mailer is used to mail universal serial buses therein.

1 Claim, 2 Drawing Sheets



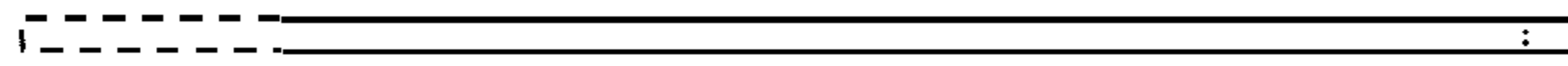


Fig. 1

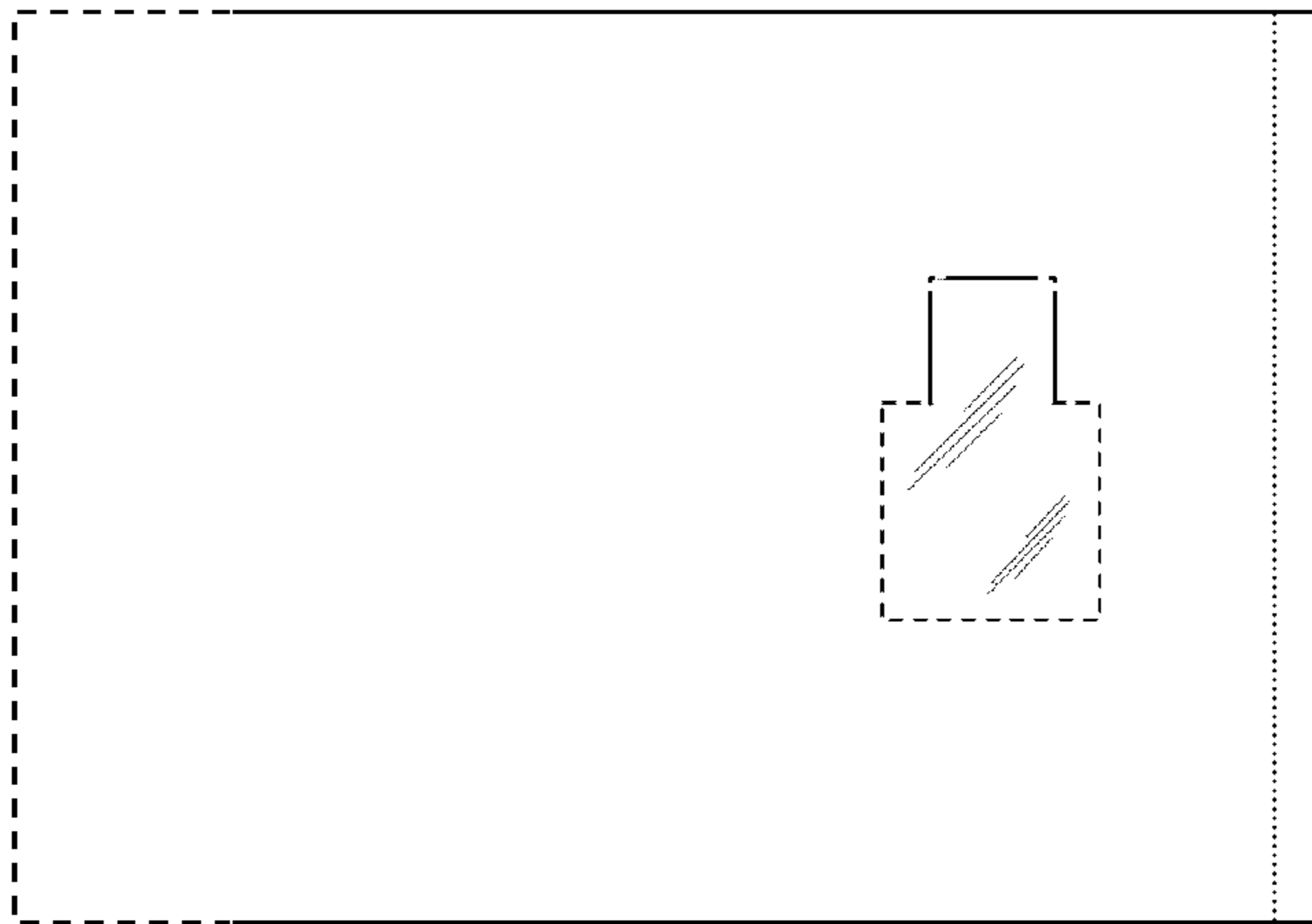


Fig. 2

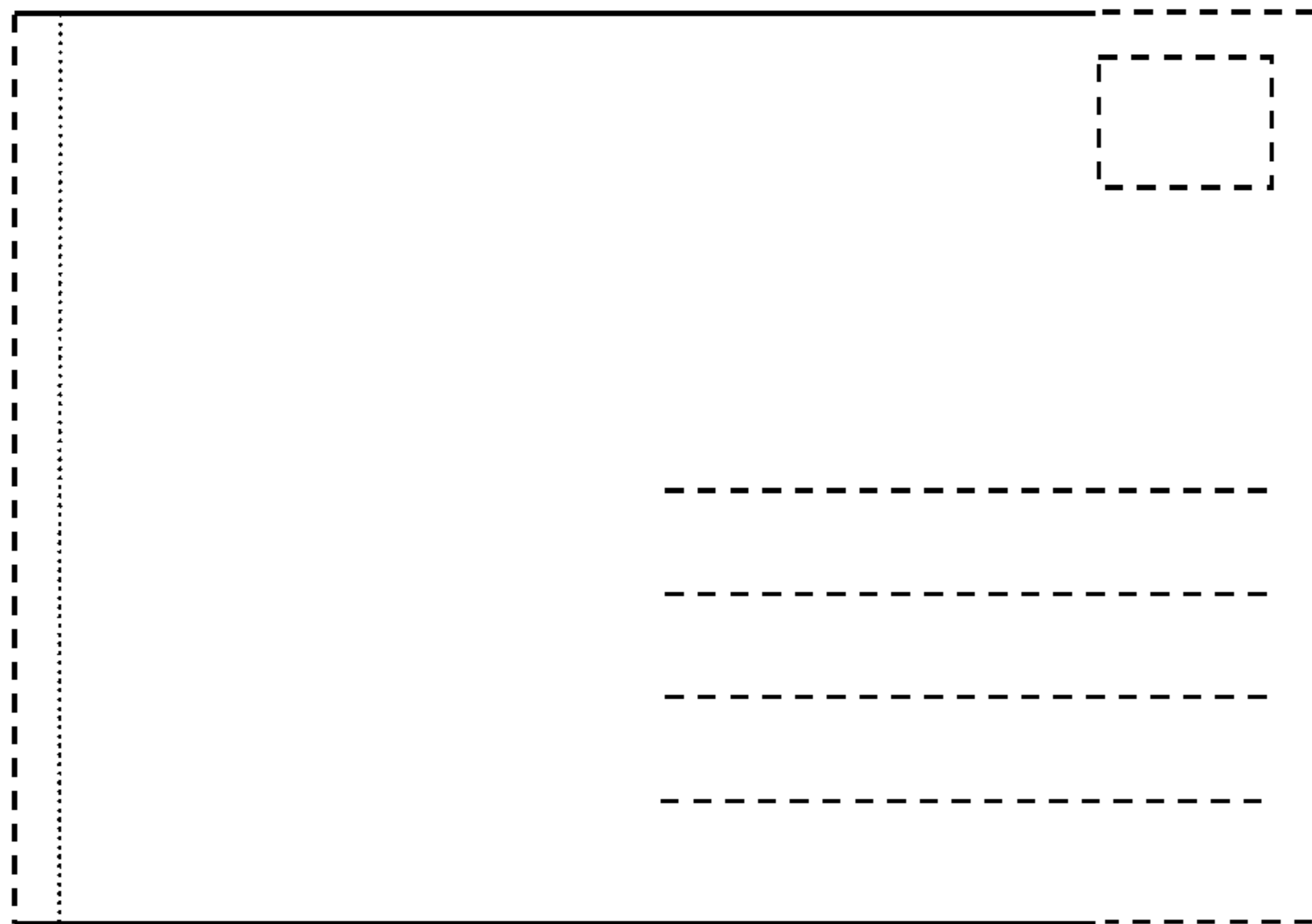


Fig. 3



Fig. 4

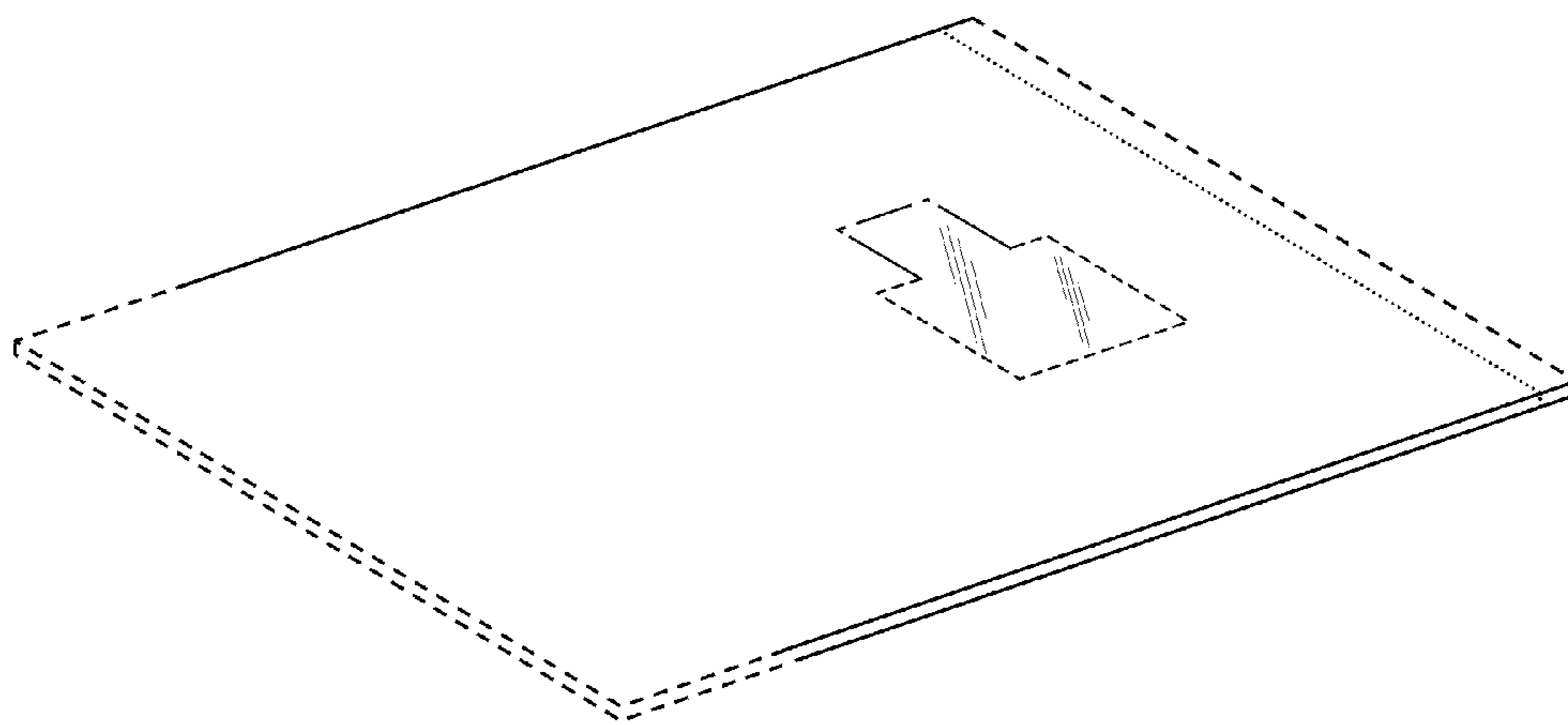


Fig. 5

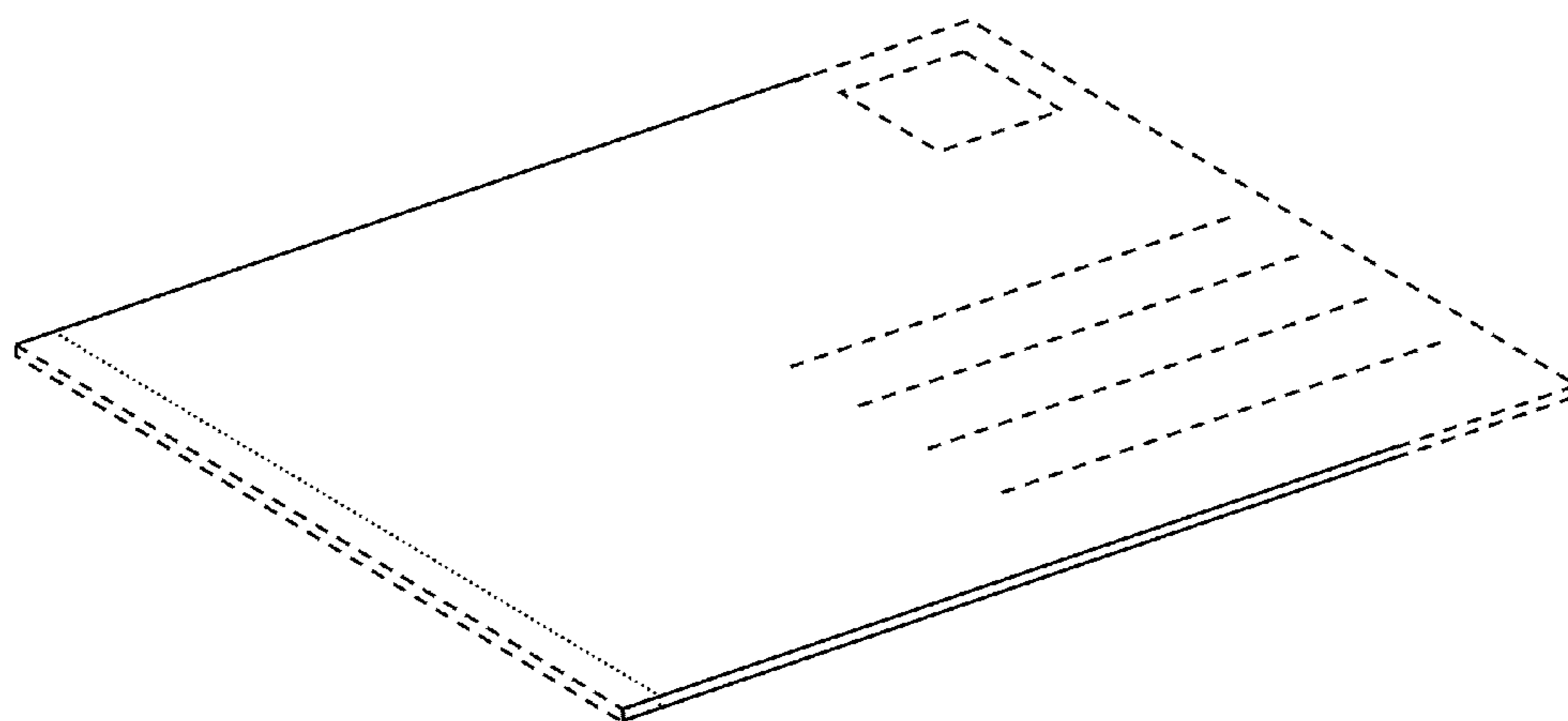


Fig. 6