



US00D706865S

(12) **United States Design Patent**
Kumagai et al.

(10) **Patent No.:** **US D706,865 S**
(45) **Date of Patent:** **** Jun. 10, 2014**

(54) **ELECTRONIC CALCULATOR**

(56) **References Cited**

(75) Inventors: **Mitsuaki Kumagai**, Inagi (JP); **Takao Obata**, Inagi (JP); **Noboru Ishii**, Inagi (JP); **Toshikazu Minegishi**, Inagi (JP); **Yoshiaki Kasai**, Inagi (JP); **Ichiro Yamamoto**, Inagi (JP); **Atsushi Kobayashi**, Inagi (JP); **Yoshikazu Kawamoto**, Inagi (JP); **Yoshihito Kouda**, Inagi (JP); **Katsutoshi Matsuura**, Inagi (JP); **Kazuhito Miura**, Inagi (JP); **Taku Ando**, Kanagawa (JP); **Tomohiro Takizawa**, Kanagawa (JP); **Yu Kurosawa**, Kanagawa (JP); **Yuki Zetsu**, Kanagawa (JP)

U.S. PATENT DOCUMENTS

D227,673	S	*	7/1973	Maeda	D18/7
D227,769	S	*	7/1973	Yamamoto	D18/7
D227,770	S	*	7/1973	Yamamoto	D18/7
D333,126	S	*	2/1993	Kuba et al.	D14/348
D423,469	S	*	4/2000	Takizawa et al.	D14/348
D433,381	S	*	11/2000	Talesfore	D14/433
D526,648	S	*	8/2006	Andre et al.	D14/314
D533,177	S	*	12/2006	Andre et al.	D14/314
D542,288	S	*	5/2007	Andre et al.	D14/314
D576,686	S	*	9/2008	Ashida et al.	D21/332
D618,273	S	*	6/2010	Sato	D18/4.4
D645,443	S	*	9/2011	Maruyama et al.	D14/140.1
2006/0067043	A1	*	3/2006	Kotani et al.	361/685

* cited by examiner

Primary Examiner — Elizabeth Albert

(74) *Attorney, Agent, or Firm* — Schwegman, Lundberg & Woessner, P.A.

(73) Assignee: **Fujitsu Frontech Limited** (JP)

(**) Term: **14 Years**

(21) Appl. No.: **29/417,763**

(22) Filed: **Apr. 9, 2012**

(30) **Foreign Application Priority Data**

Oct. 19, 2011 (JP) 2011-024038

(51) **LOC (10) Cl.** **18-01**

(52) **U.S. Cl.**
USPC **D18/11**

(58) **Field of Classification Search**
USPC D14/218, 314, 341–347, 387, 440, 441;
D18/1, 2, 4.4, 4.5, 6–12, 12.1–12.3;
D21/512; 235/58 R, 59 A, 59 BC–59 BH,
235/59 CP, 59 T, 59 TP, 61 R; 708/100, 105,
708/130

See application file for complete search history.

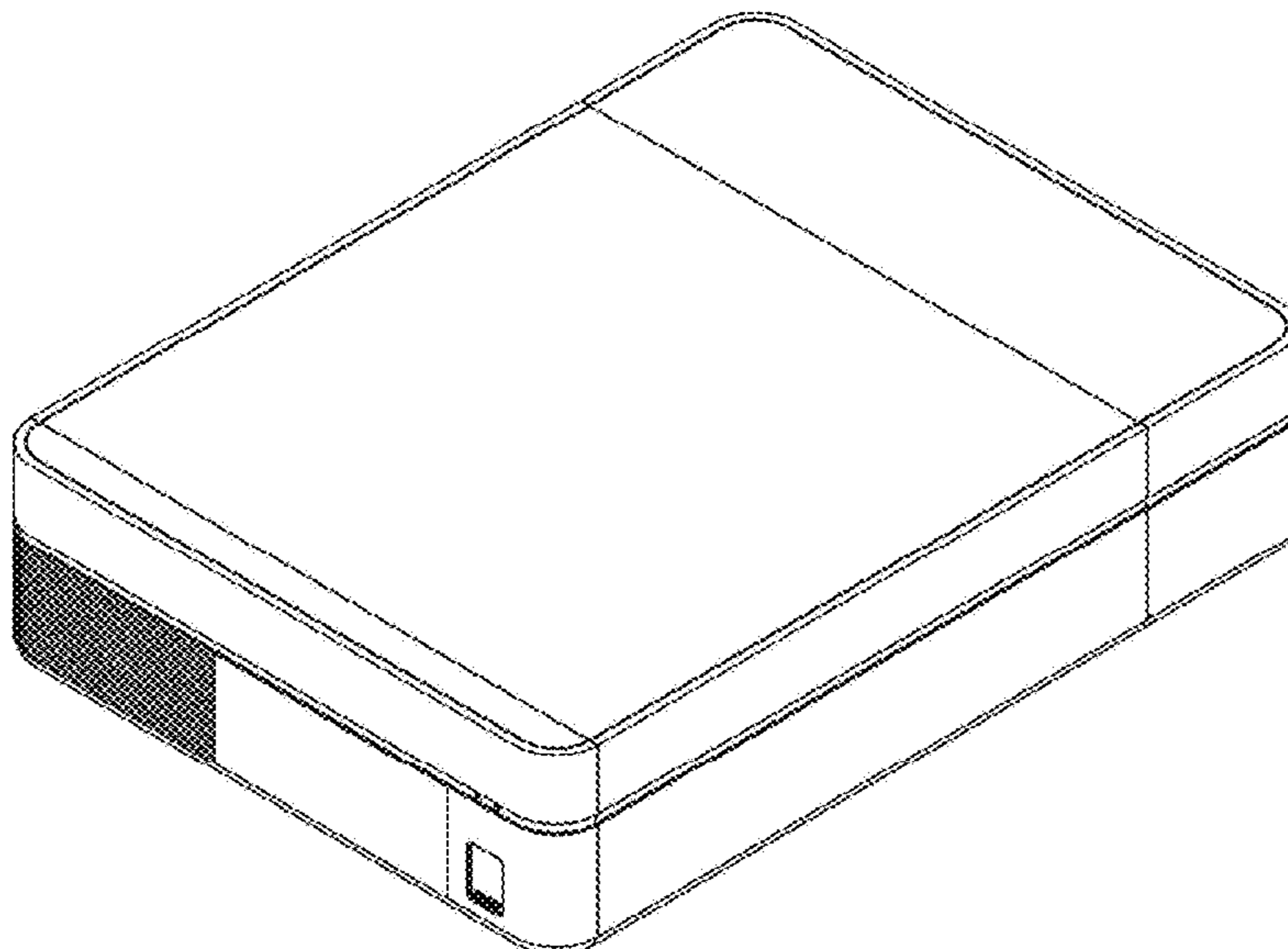
(57) **CLAIM**

The ornamental design for a electronic calculator, as shown and described.

DESCRIPTION

FIG. 1 is a front perspective view of an electronic calculator; FIG. 2 is a rear perspective view of the electronic calculator; FIG. 3 is a front view of the electronic calculator; FIG. 4 is a rear view of the electronic calculator; FIG. 5 is a right side view of the electronic calculator; FIG. 6 is a left side view of the electronic calculator; FIG. 7 is a top view of the electronic calculator; and, FIG. 8 is a bottom view of the electronic calculator.

1 Claim, 6 Drawing Sheets



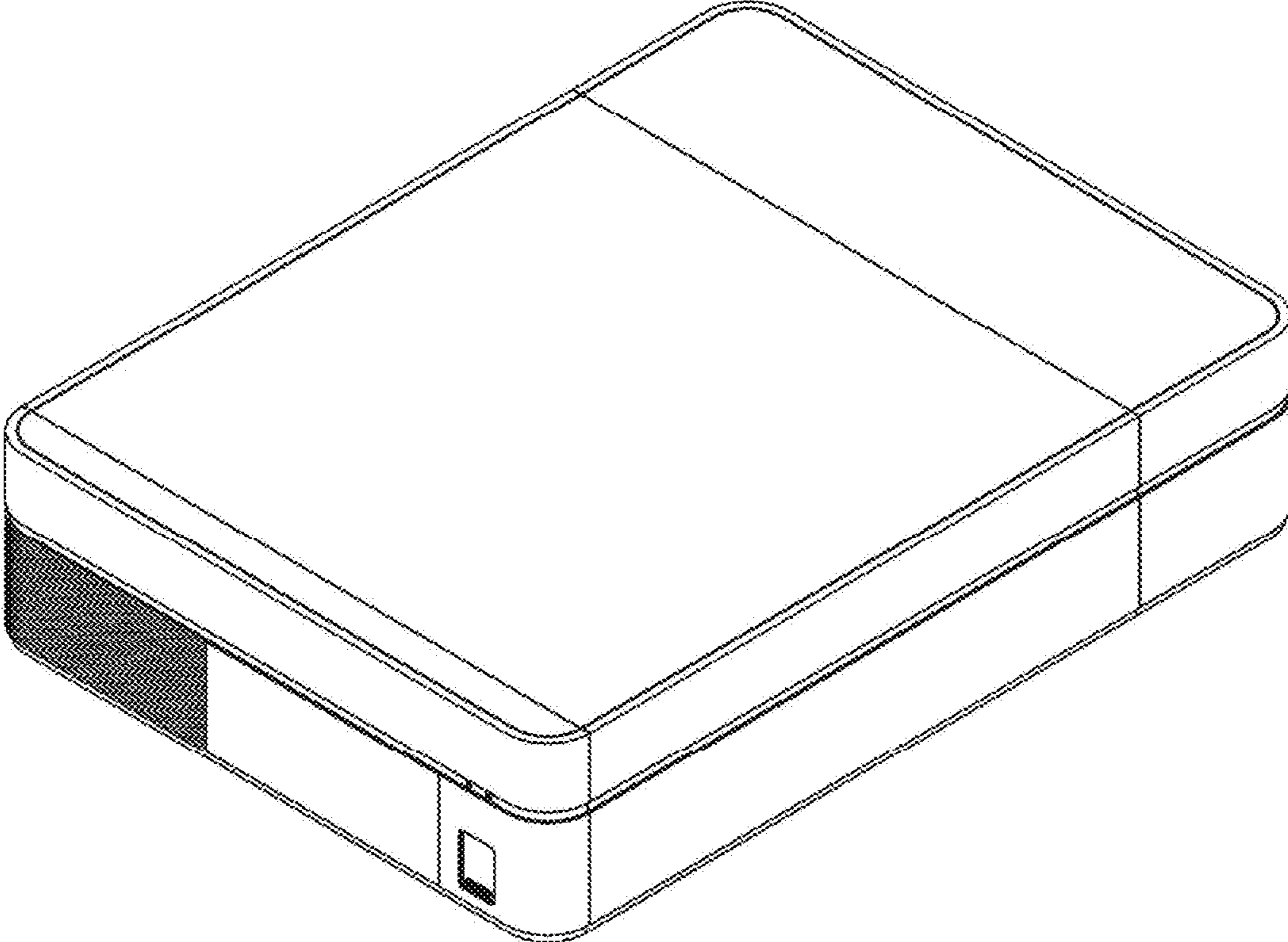


FIG. 1

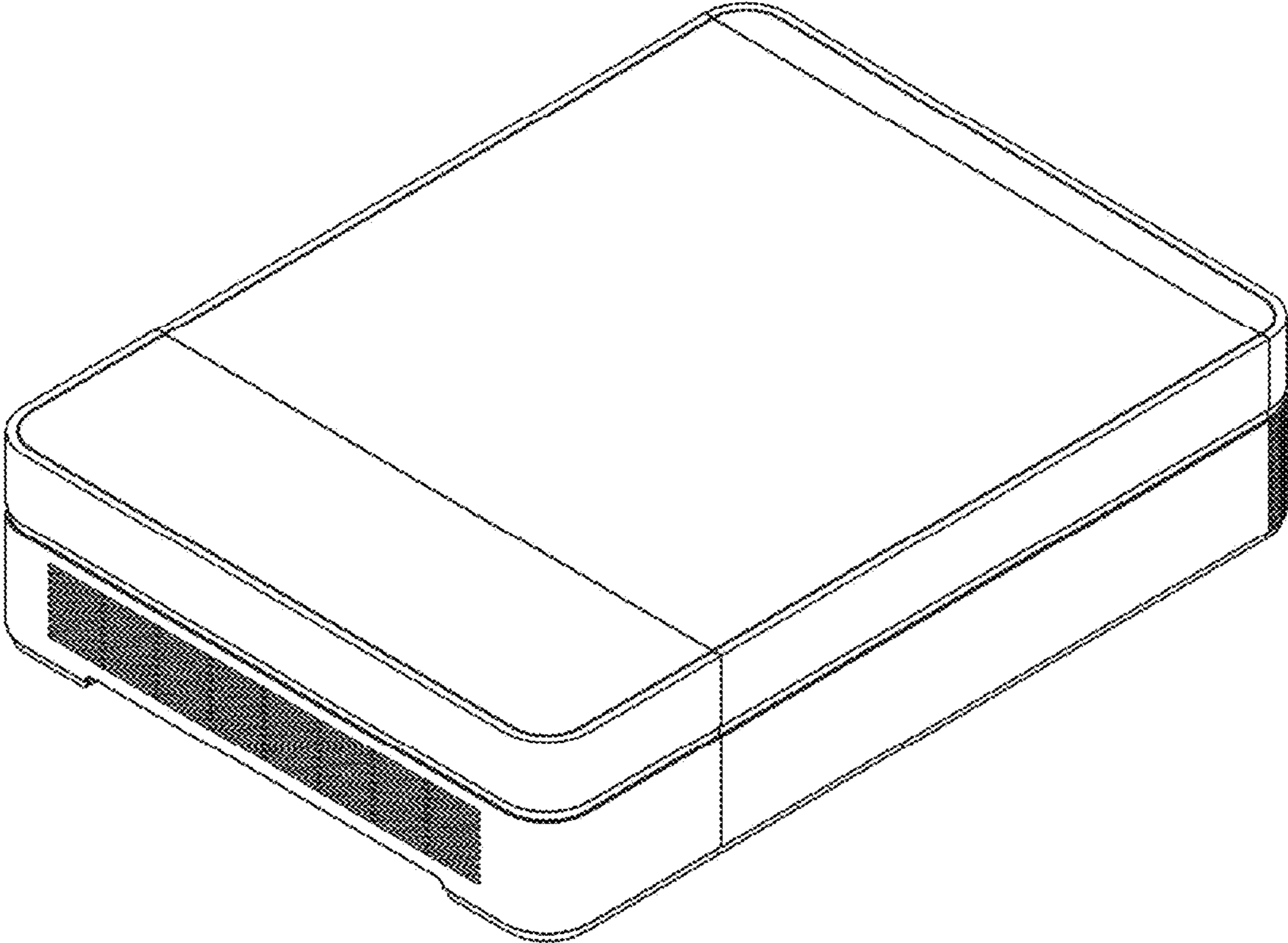


FIG. 2

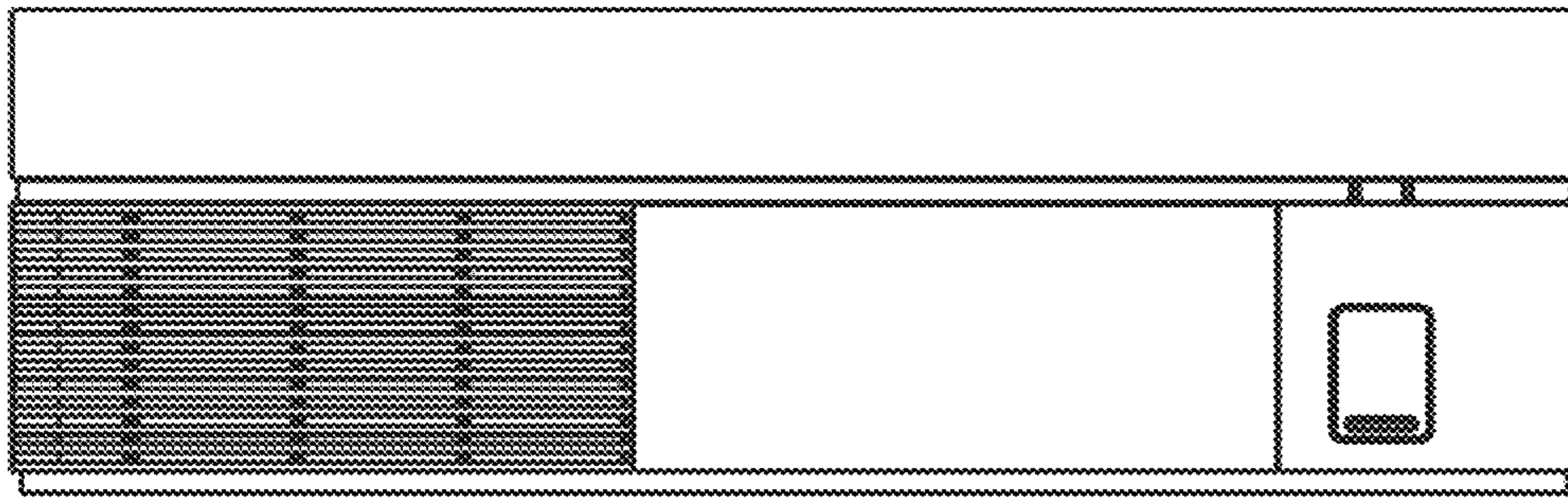


FIG. 3

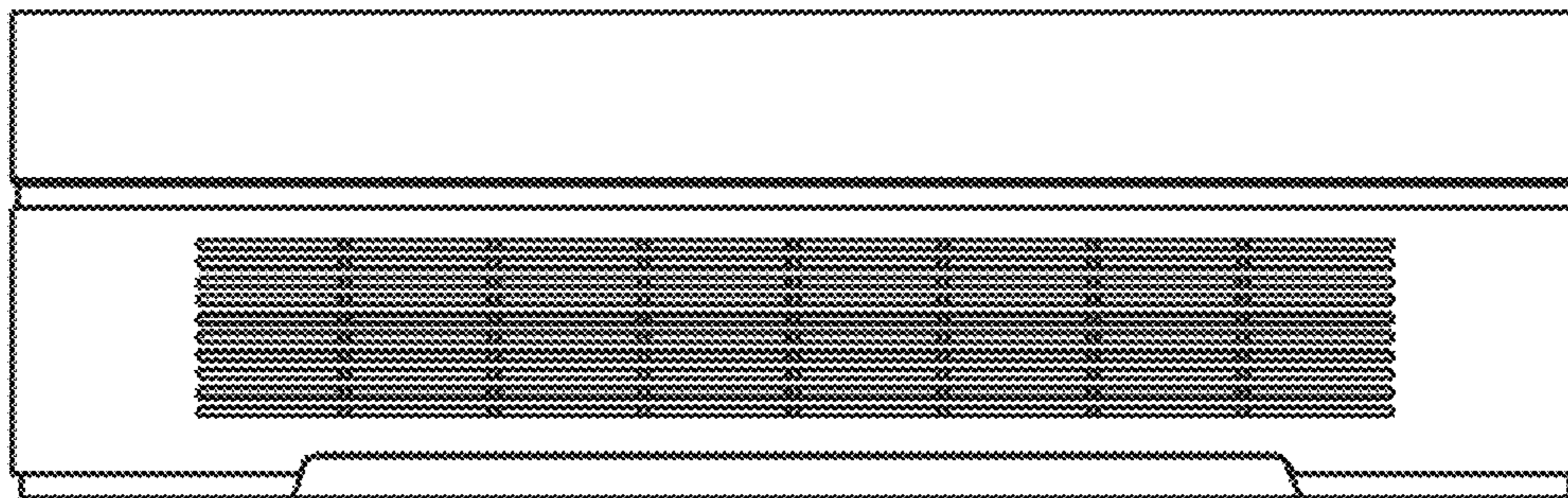


FIG. 4

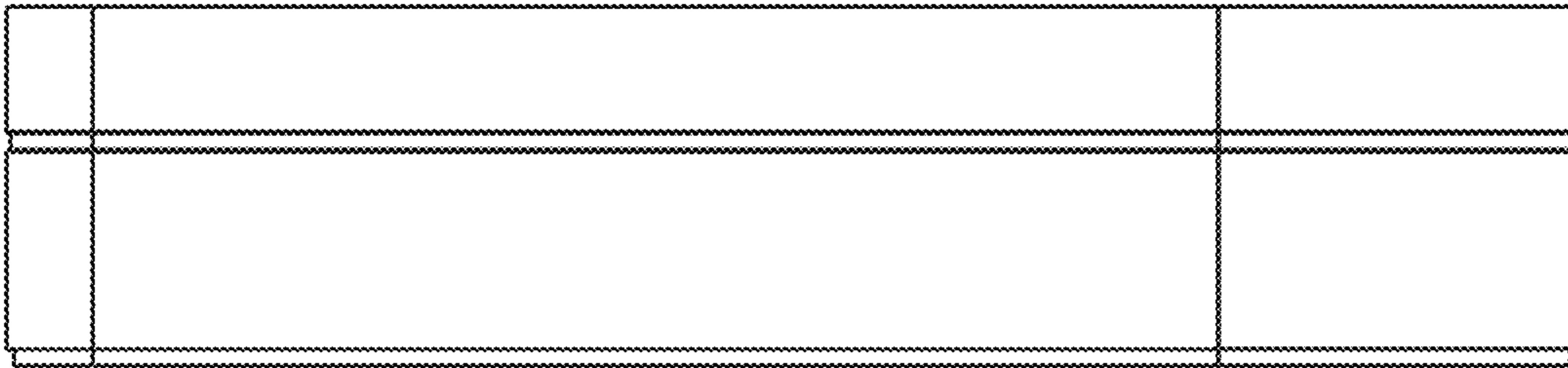


FIG. 5

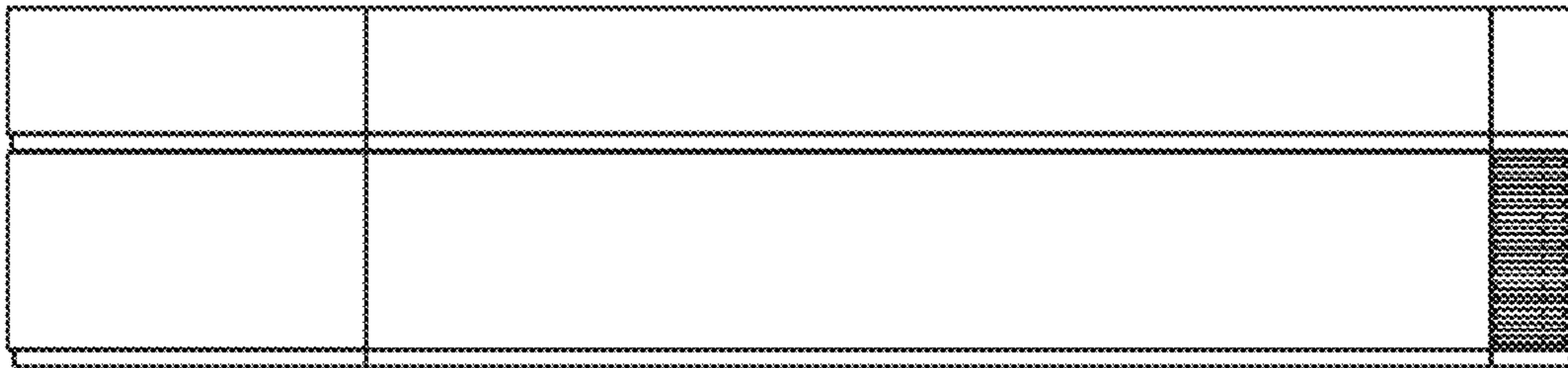


FIG. 6

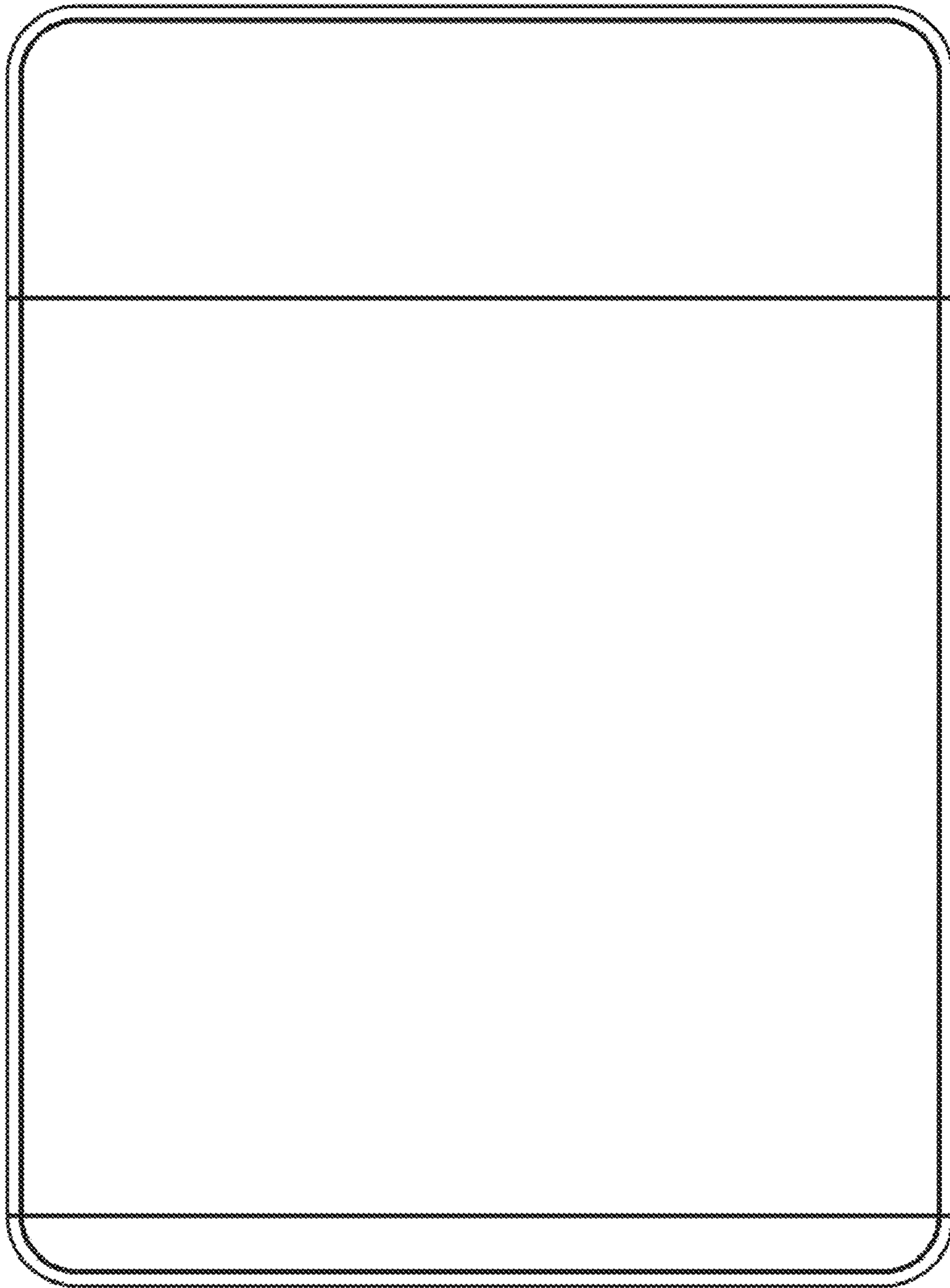


FIG. 7

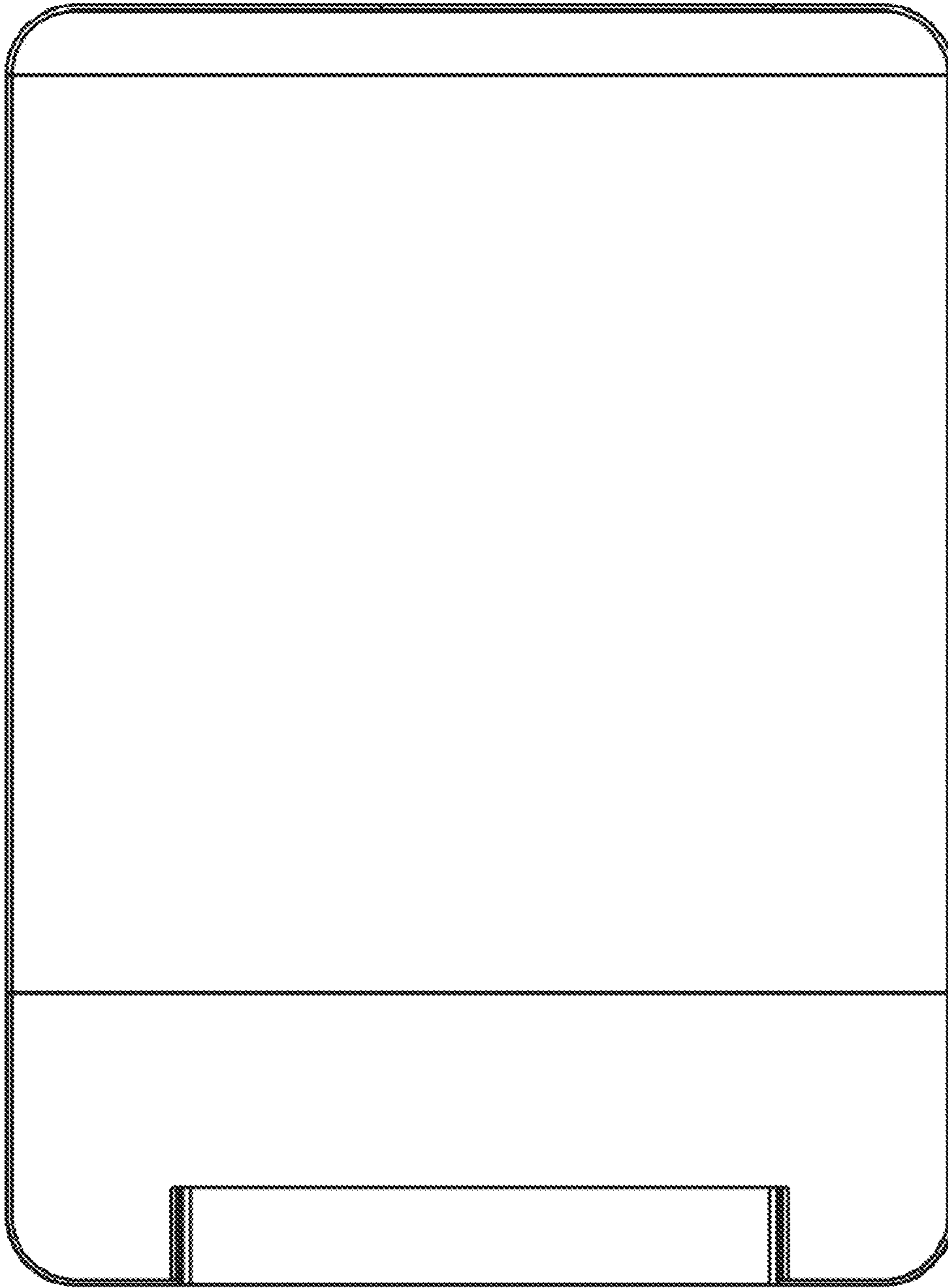


FIG. 8