



US00D706863S

(12) **United States Design Patent**  
**Branck et al.**

(10) **Patent No.:** **US D706,863 S**  
(45) **Date of Patent:** **\*\* Jun. 10, 2014**

- (54) **POINT OF SALE TERMINAL**
- (75) Inventors: **James David Branck**, Frankfort, NY (US); **Bernard Wesley Baker, Jr.**, Herkimer, NY (US); **Brian D. Johnson**, Utica, NY (US); **William J. Williams**, Hartford, NY (US)
- (73) Assignee: **Par Technology Corporation**, New Hartford, NY (US)

D362,427 S *	9/1995	Mizusugi et al. ....	D18/4.4
D385,903 S *	11/1997	Kim .....	D18/4.4
D385,904 S *	11/1997	Kim .....	D18/4.4
D389,813 S *	1/1998	Itoh .....	D18/4.5
D429,227 S *	8/2000	Shimizu .....	D14/375
D451,535 S *	12/2001	Lee .....	D18/4.6
D507,592 S *	7/2005	Mizusugi et al. ....	D18/4.1
D535,335 S *	1/2007	Mandel .....	D18/2
D573,593 S *	7/2008	Sasaki et al. ....	D14/307
D640,252 S *	6/2011	Kuroda et al. ....	D18/4.5
D676,900 S *	2/2013	Ohno et al. ....	D18/4.4

(\*\*) Term: **14 Years**

(21) Appl. No.: **29/429,091**

(22) Filed: **Aug. 7, 2012**

(51) **LOC (10) Cl.** ..... **18-01**

(52) **U.S. Cl.**  
USPC ..... **D18/4.6**

(58) **Field of Classification Search**  
USPC ..... D14/336, 371-376, 387; D18/3.1-3.3, D18/4.1-4.6, 6-8, 11, 12, 12.1-12.3; D21/324, 325, 332; D99/28, 34-36, D99/43; 235/1 E, 2, 7 R, 12, 22, 33, 51, 52; 705/12, 15-18, 43  
See application file for complete search history.

(56) **References Cited**

**U.S. PATENT DOCUMENTS**

D303,111 S *	8/1989	Paley .....	D14/374
D346,366 S *	4/1994	Kim et al. ....	D14/342

\* cited by examiner

*Primary Examiner* — Elizabeth Albert

(74) *Attorney, Agent, or Firm* — George R. McGuire; Frederick J. M. Price; Bond Schoeneck & King, PLLC

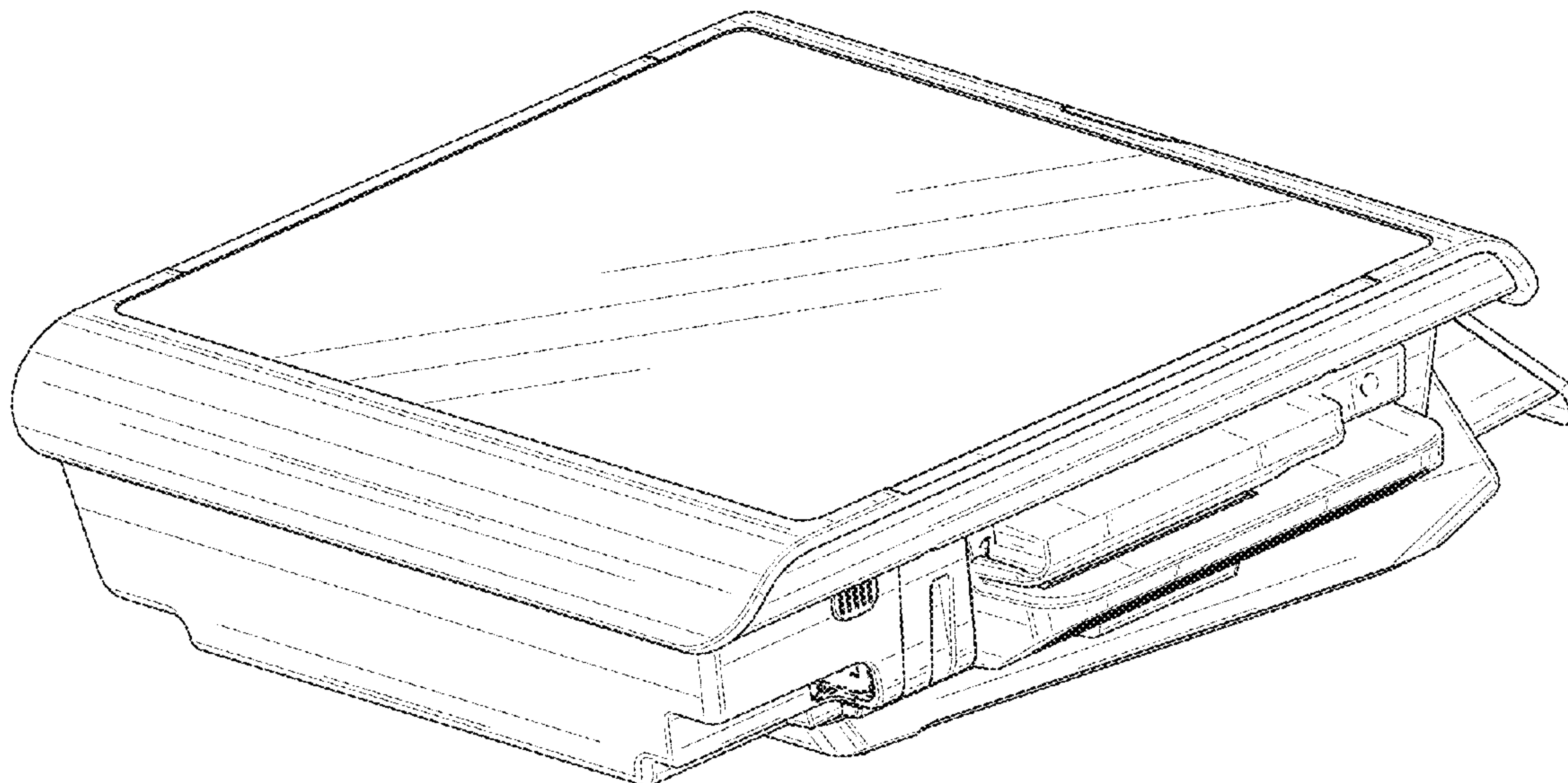
(57) **CLAIM**

The ornamental design for a point of sale terminal, as shown and described.

**DESCRIPTION**

FIG. 1 is a perspective view of a point of sale terminal; FIG. 2 is a front elevation view thereof; FIG. 3 is a rear elevation view thereof; FIG. 4 is a first side elevation view thereof; FIG. 5 is a second side elevation view thereof; FIG. 6 is a top plan view thereof; and, FIG. 7 is a bottom plan view thereof. The broken line areas in the Figures show environmental subject matter and form no part of the claim design.

**1 Claim, 7 Drawing Sheets**



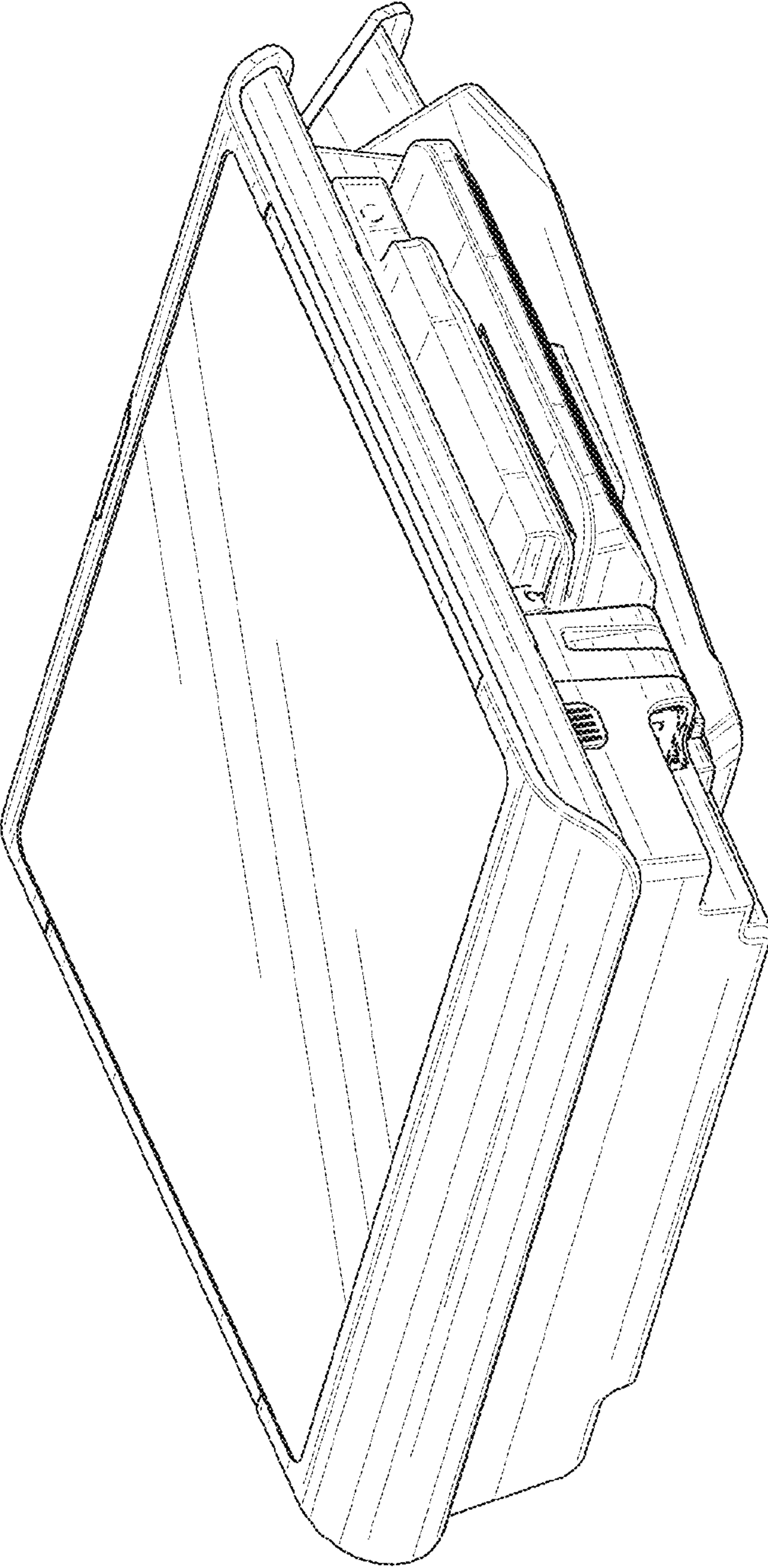


FIG. 1

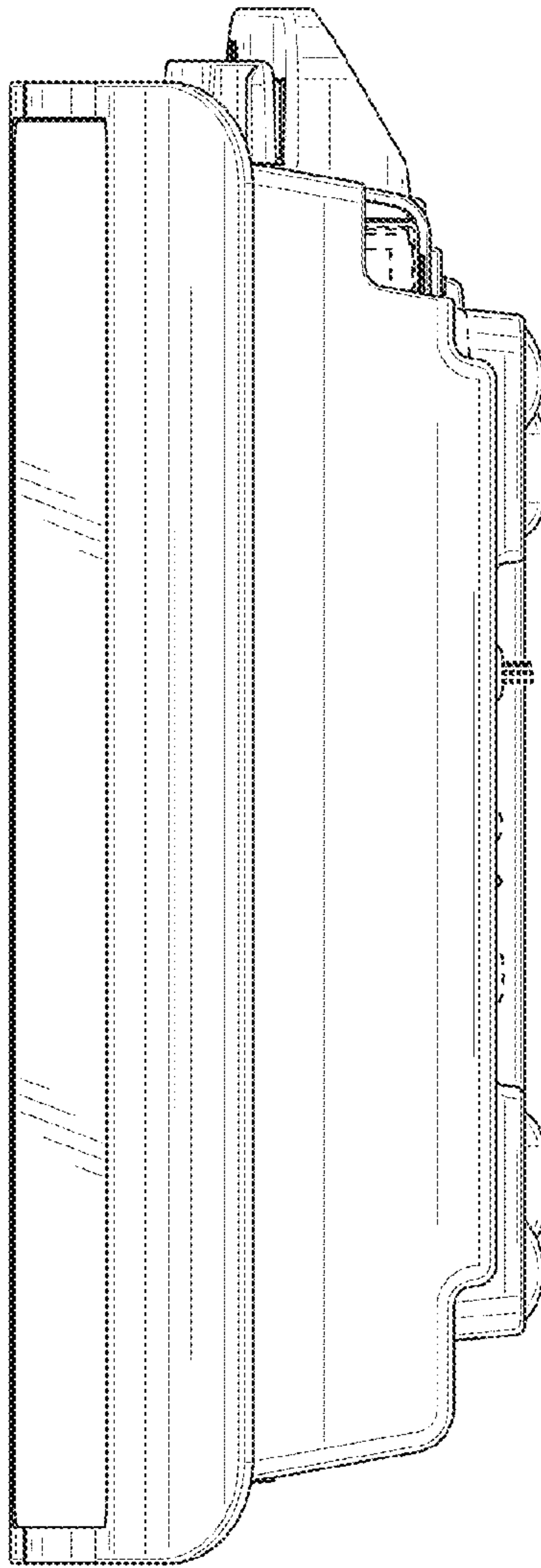


FIG. 2

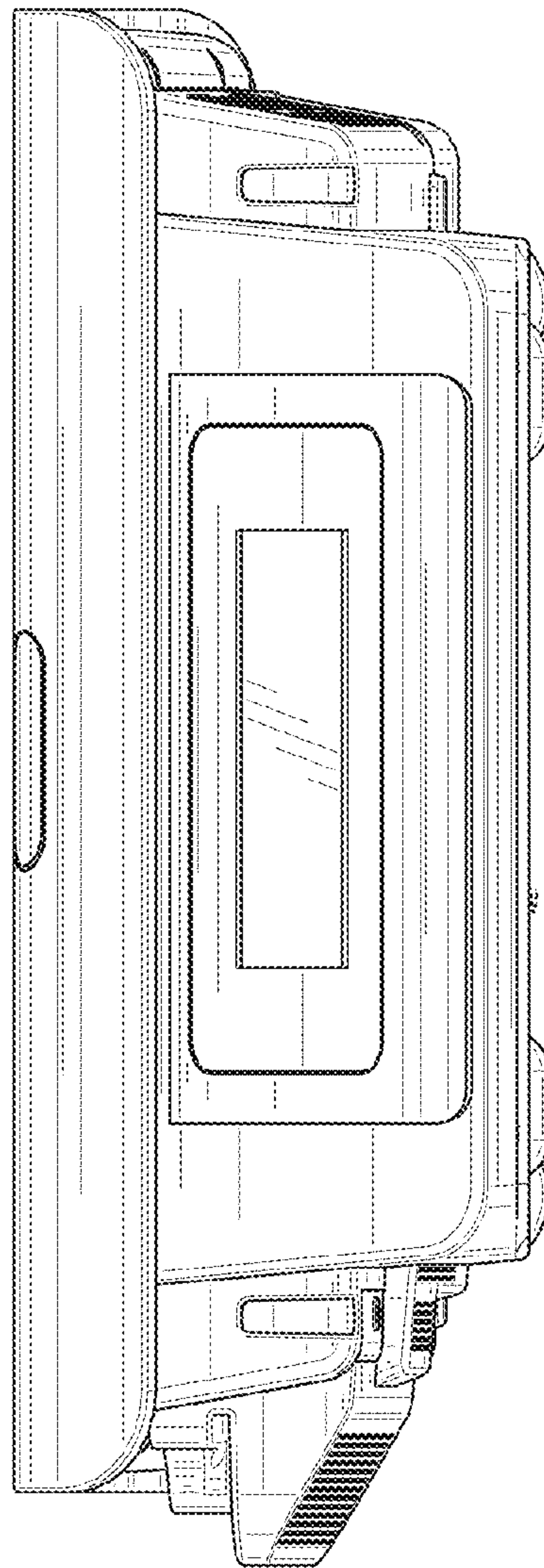


FIG. 3



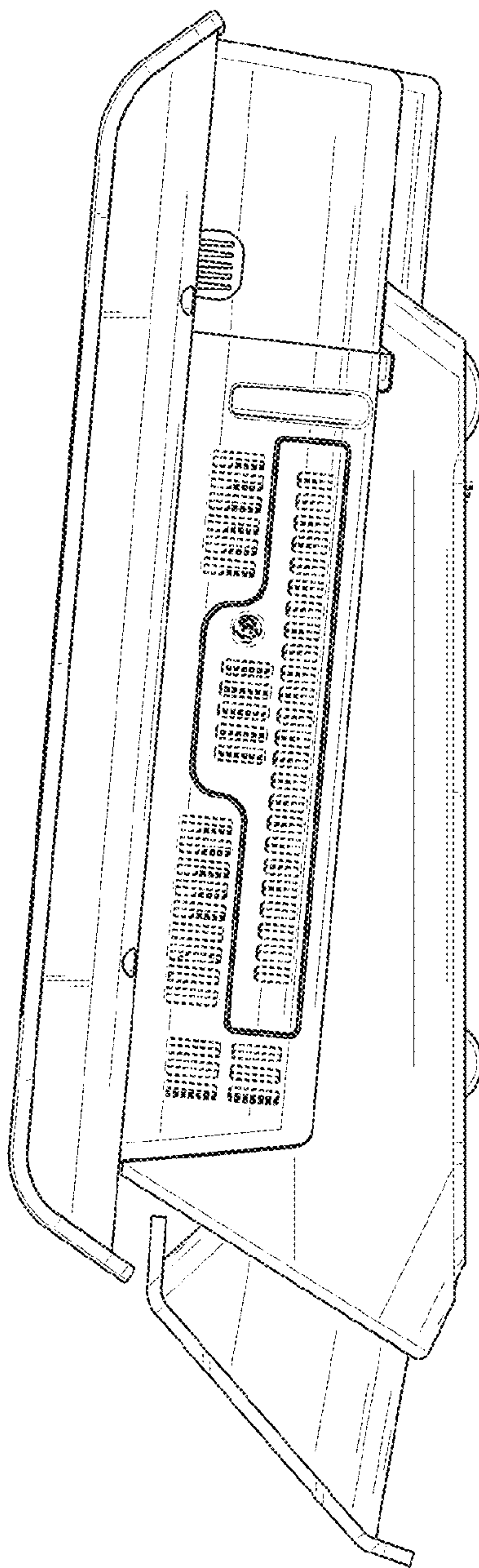


FIG. 4

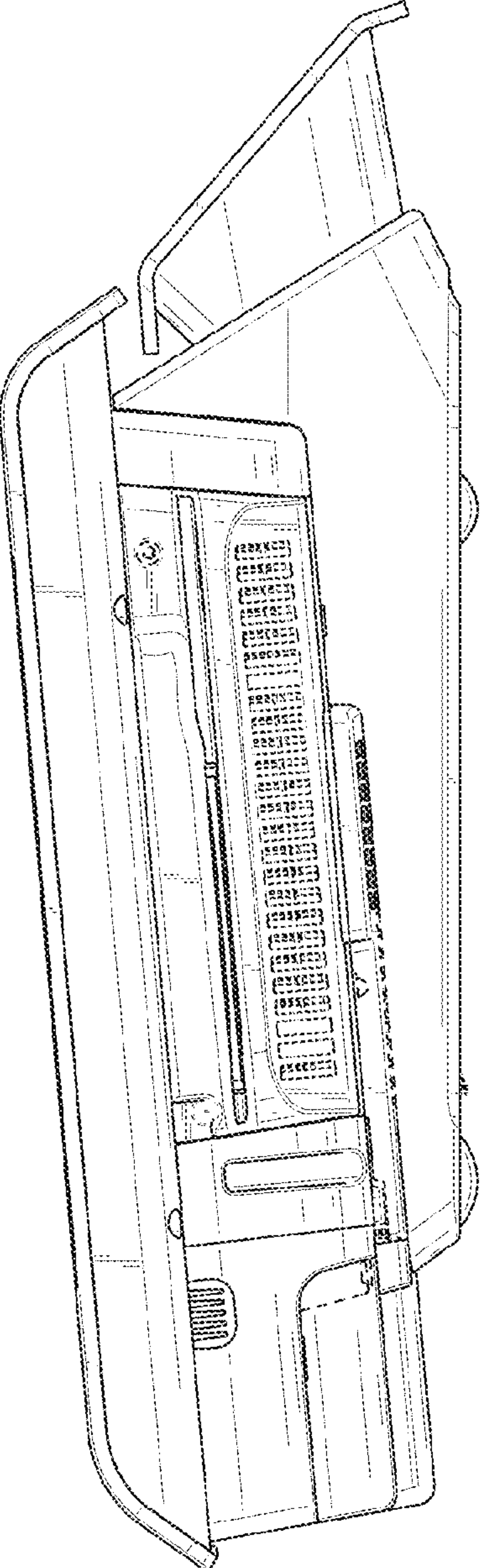


FIG. 5

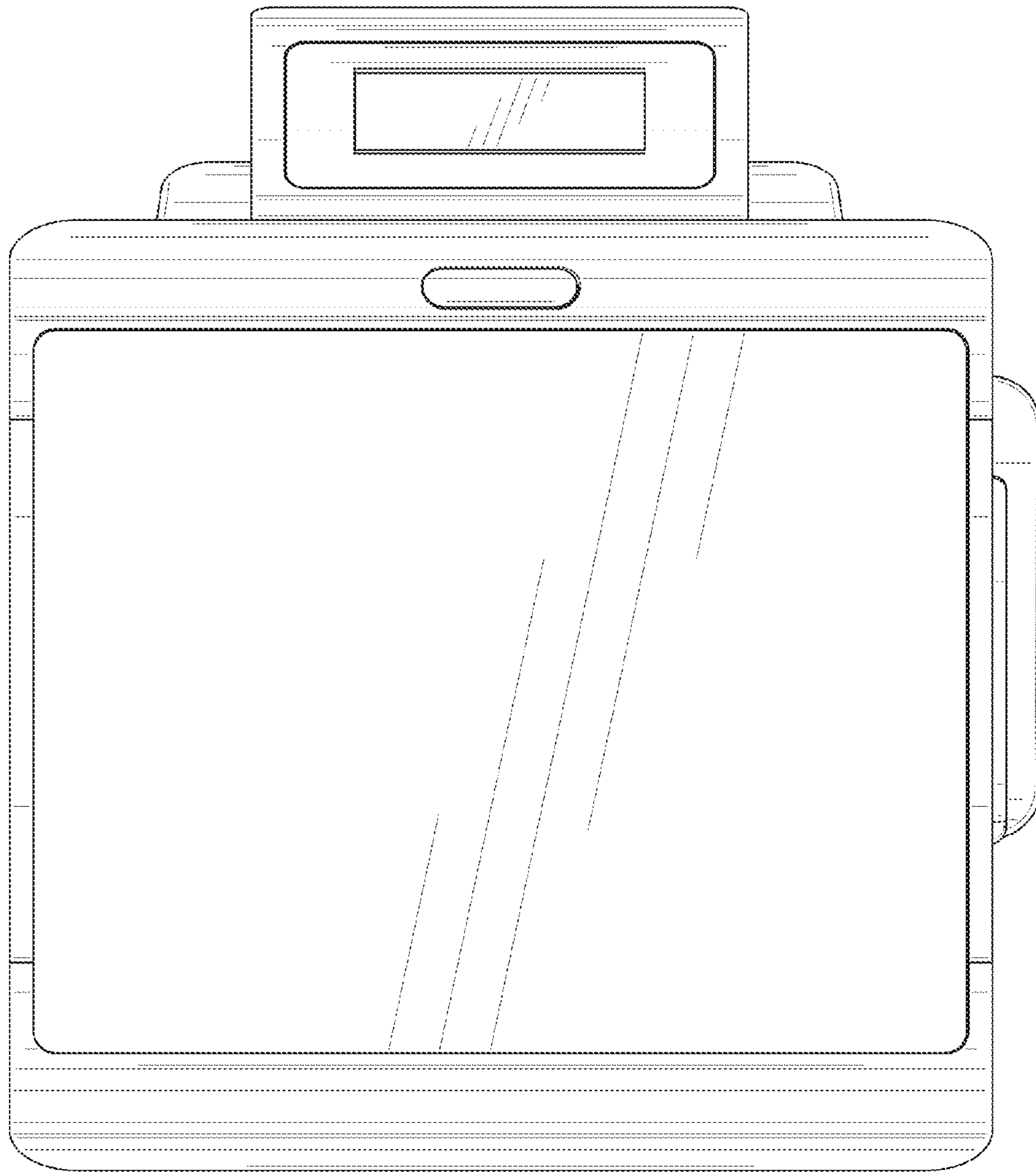


FIG. 6

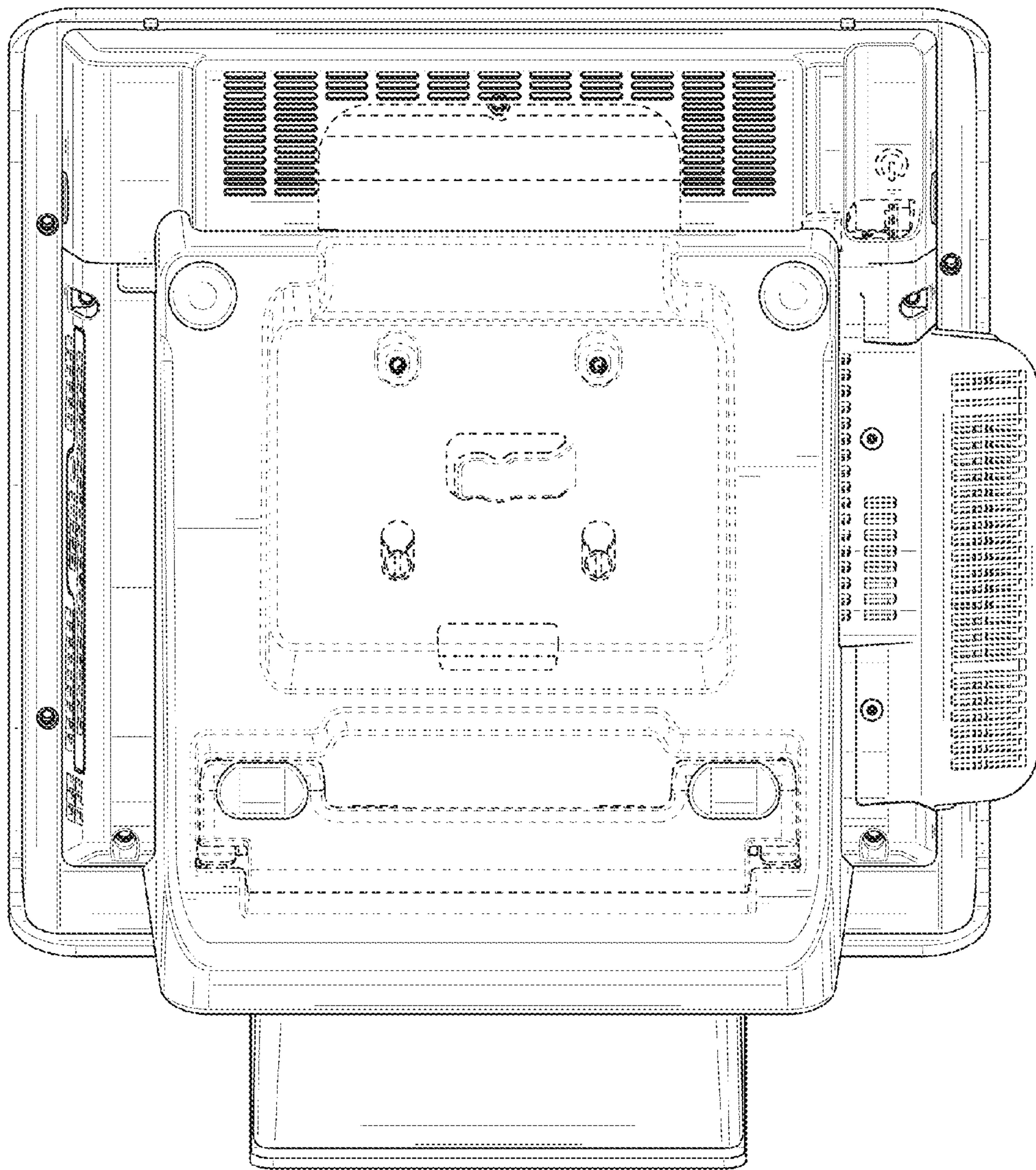


FIG. 7