



US00D706855S

(12) **United States Design Patent**  
**Matsumoto et al.**

(10) **Patent No.:** **US D706,855 S**  
(45) **Date of Patent:** **\*\* Jun. 10, 2014**

(54) **CAMERA STAND**  
(71) Applicant: **Panasonic Corporation**, Osaka (JP)  
(72) Inventors: **Hiroyuki Matsumoto**, Osaka (JP);  
**Toshio Horiki**, Osaka (JP)

(73) Assignee: **Panasonic Corporation**, Osaka (JP)

(\*\*) Term: **14 Years**

(21) Appl. No.: **29/435,069**

(22) Filed: **Oct. 19, 2012**

(30) **Foreign Application Priority Data**

Jul. 9, 2012 (JP) ..... 2012-016195

(51) **LOC (10) Cl.** ..... **16-05**

(52) **U.S. Cl.**  
USPC ..... **D16/244**

(58) **Field of Classification Search**  
USPC ..... D16/242, 244, 245; 248/168-171,  
248/177.1, 183.1, 183.2, 187.1, 188.5,  
248/188.7; 352/243; 396/419, 421, 428  
See application file for complete search history.

(56) **References Cited**

**U.S. PATENT DOCUMENTS**

D373,133 S \* 8/1996 Usui et al. .... D16/244  
D475,641 S \* 6/2003 Glasson ..... D10/65

D590,000 S 4/2009 Kellar  
7,522,834 B2 \* 4/2009 Heaven et al. .... 396/535  
D640,721 S \* 6/2011 Satine ..... D16/204  
D659,177 S \* 5/2012 Chan ..... D16/242  
D673,204 S \* 12/2012 Bae et al. .... D16/244  
D696,329 S \* 12/2013 Horiki et al. .... D16/203

\* cited by examiner

*Primary Examiner* — Susan Bennett Hattan

*Assistant Examiner* — Leanne Was

(74) *Attorney, Agent, or Firm* — Panasonic Patent Center

(57) **CLAIM**

We claim the ornamental design for a camera stand, as shown and described.

**DESCRIPTION**

FIG. 1 is a perspective view of a camera stand of the present invention;  
FIG. 2 is a front view thereof;  
FIG. 3 is a rear view thereof;  
FIG. 4 is a first side view thereof;  
FIG. 5 is a second side view thereof;  
FIG. 6 is a top view thereof;  
FIG. 7 is a bottom view thereof; and,  
FIG. 8 is a front view with the top portion moved thereof.  
The broken line showing of camera stand is included for the purpose of illustrating environment and forms no part of the claimed design. Additionally, the unevenly broken lines in the drawings define the limits of the claimed design.

**1 Claim, 8 Drawing Sheets**

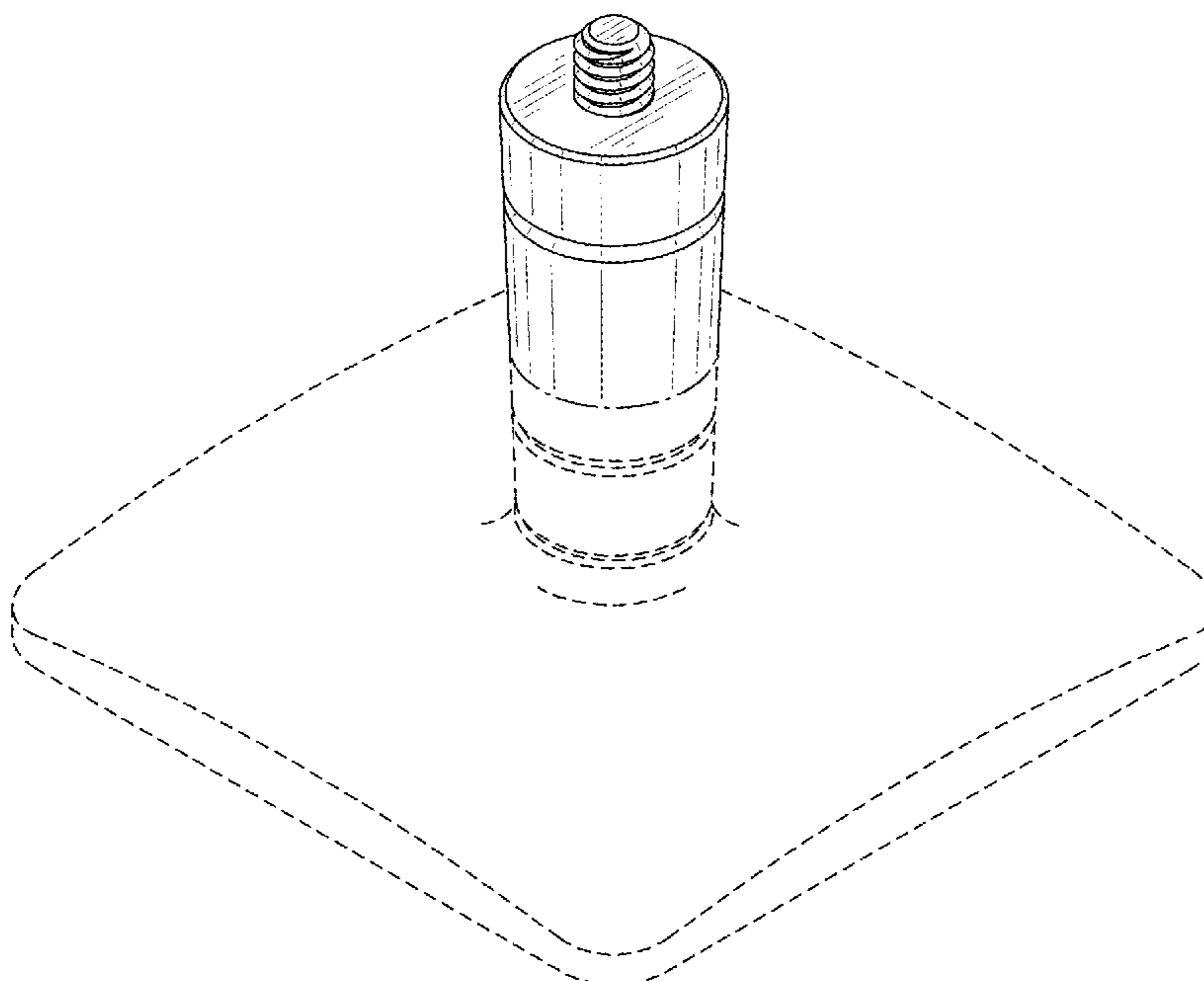


FIG. 1

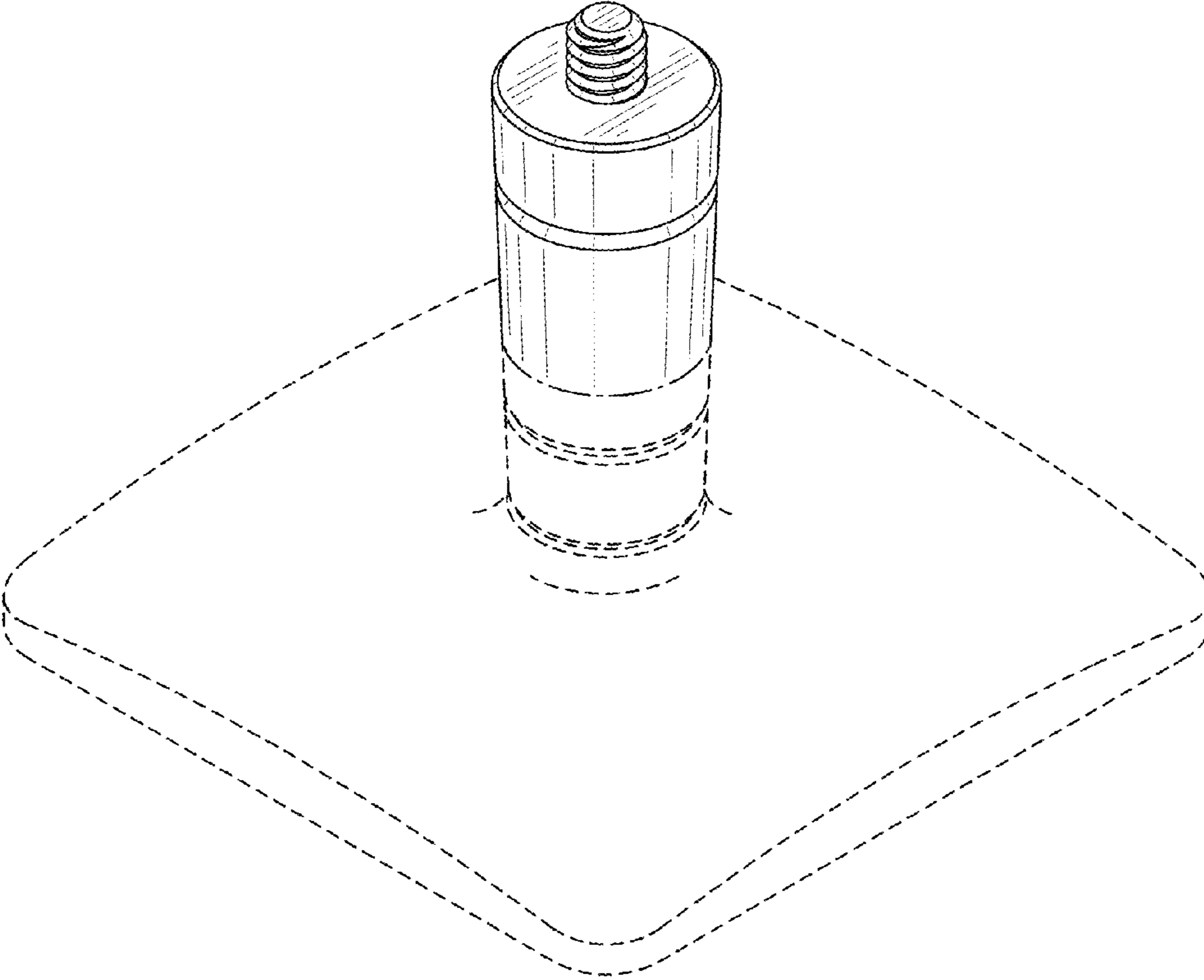


FIG. 2

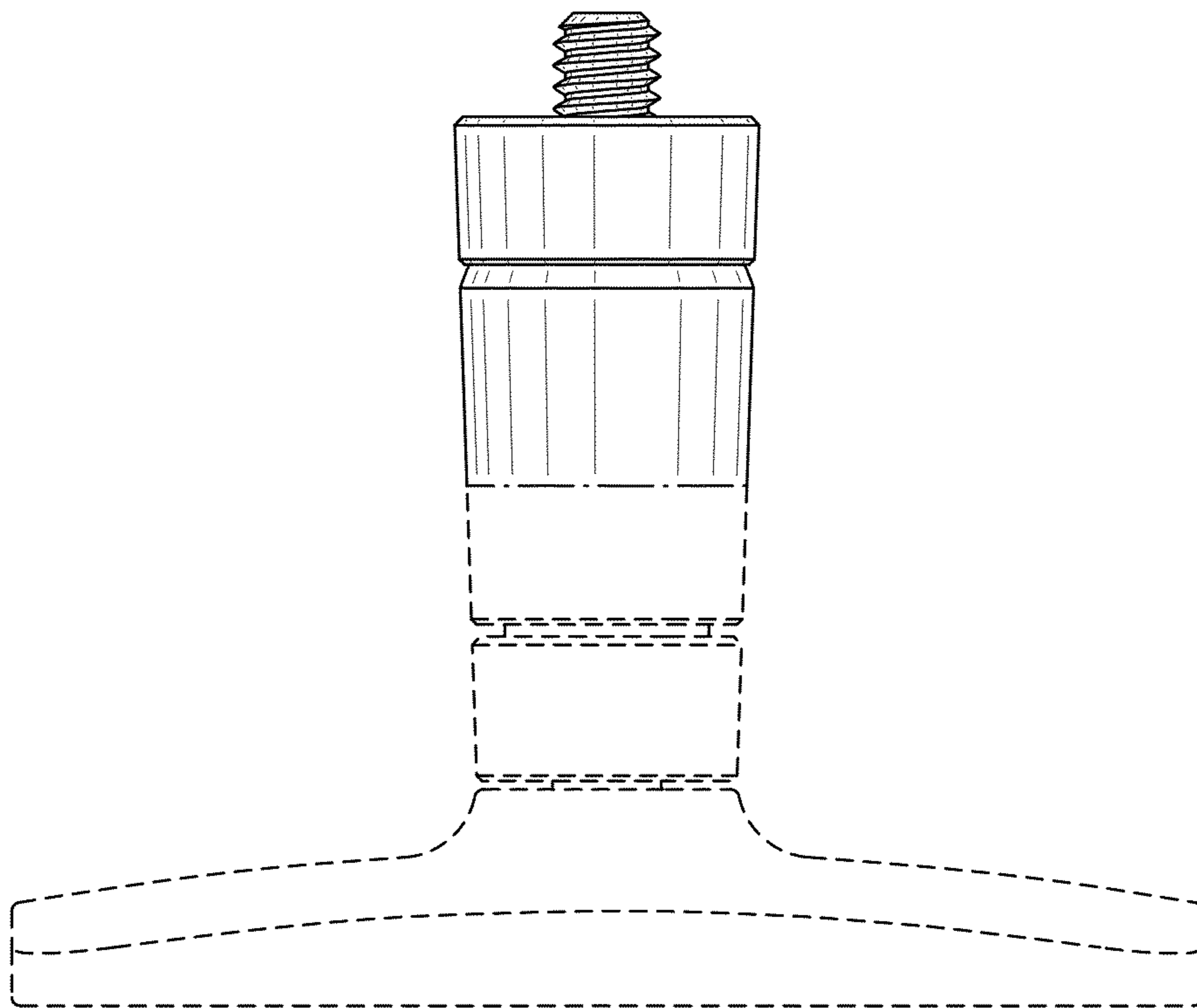


FIG. 3

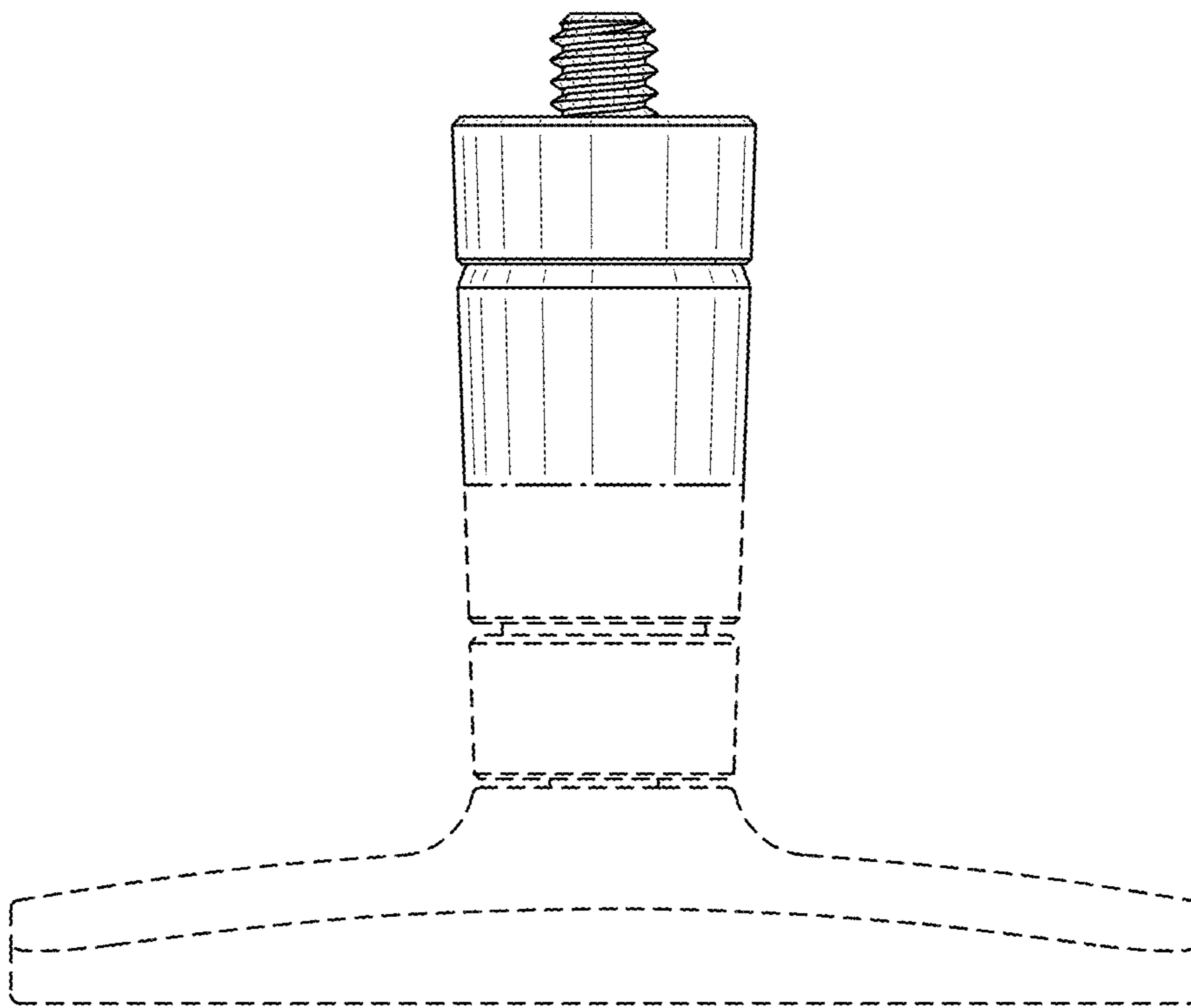


FIG. 4

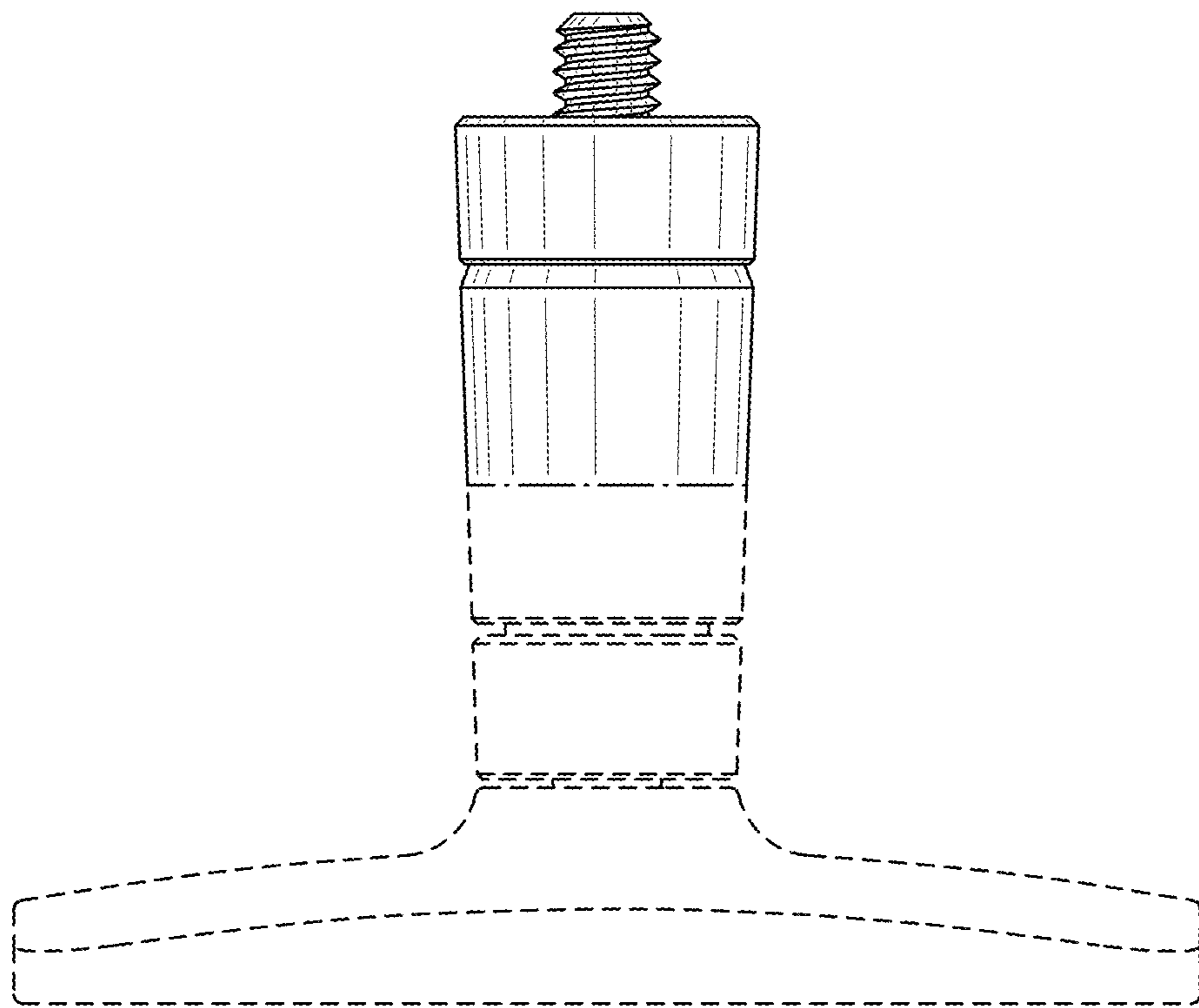


FIG. 5

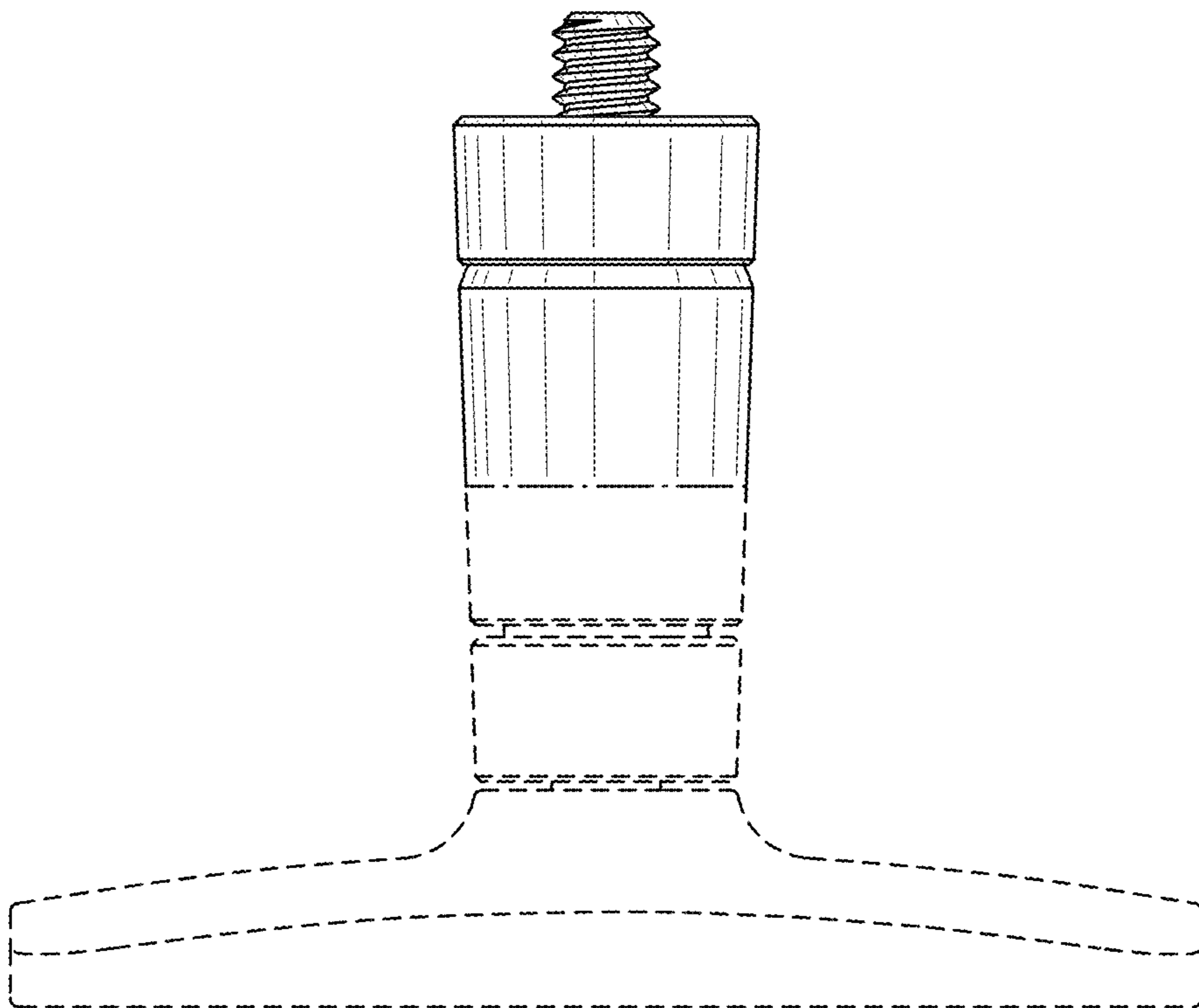


FIG. 6

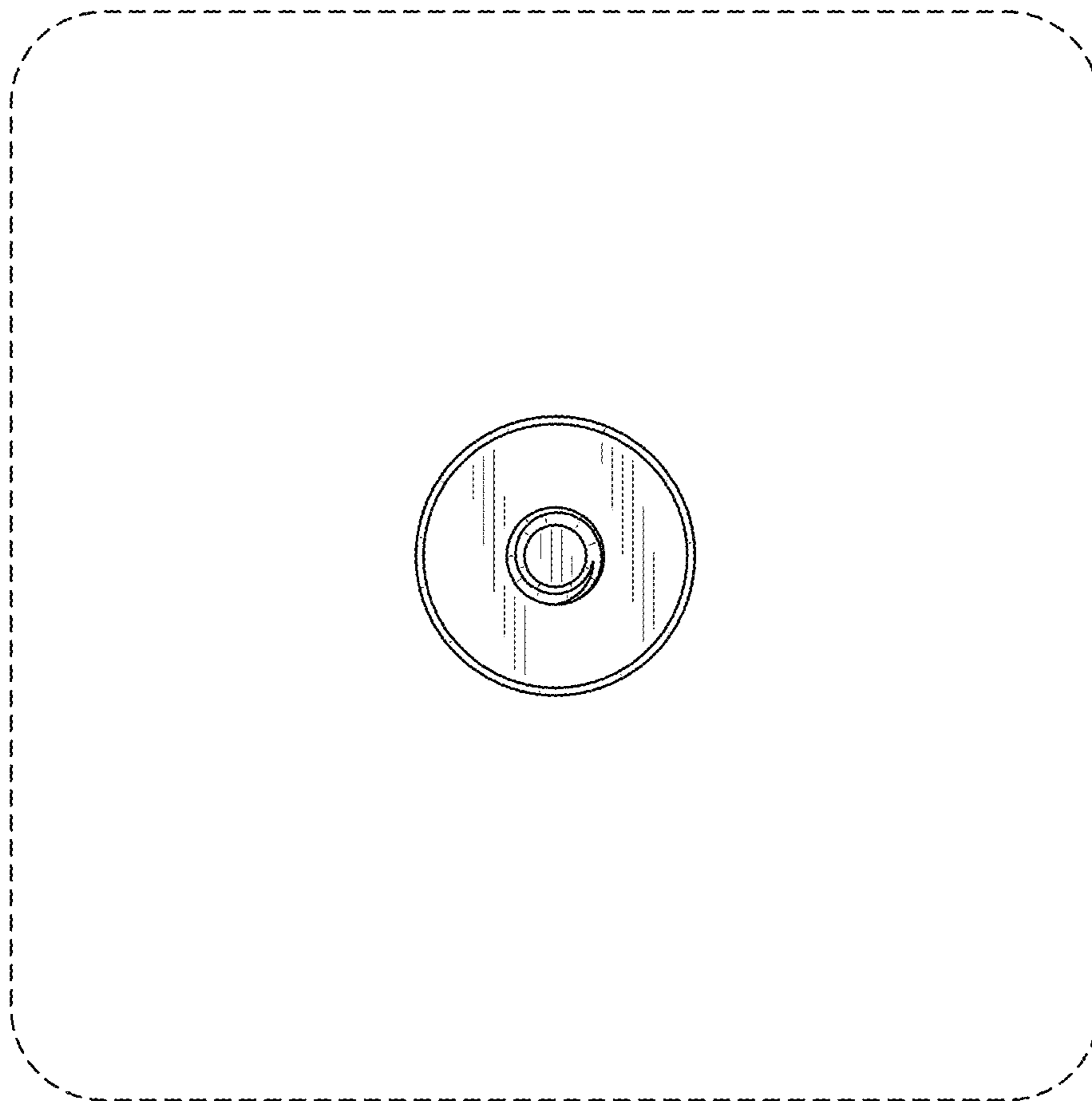


FIG. 7

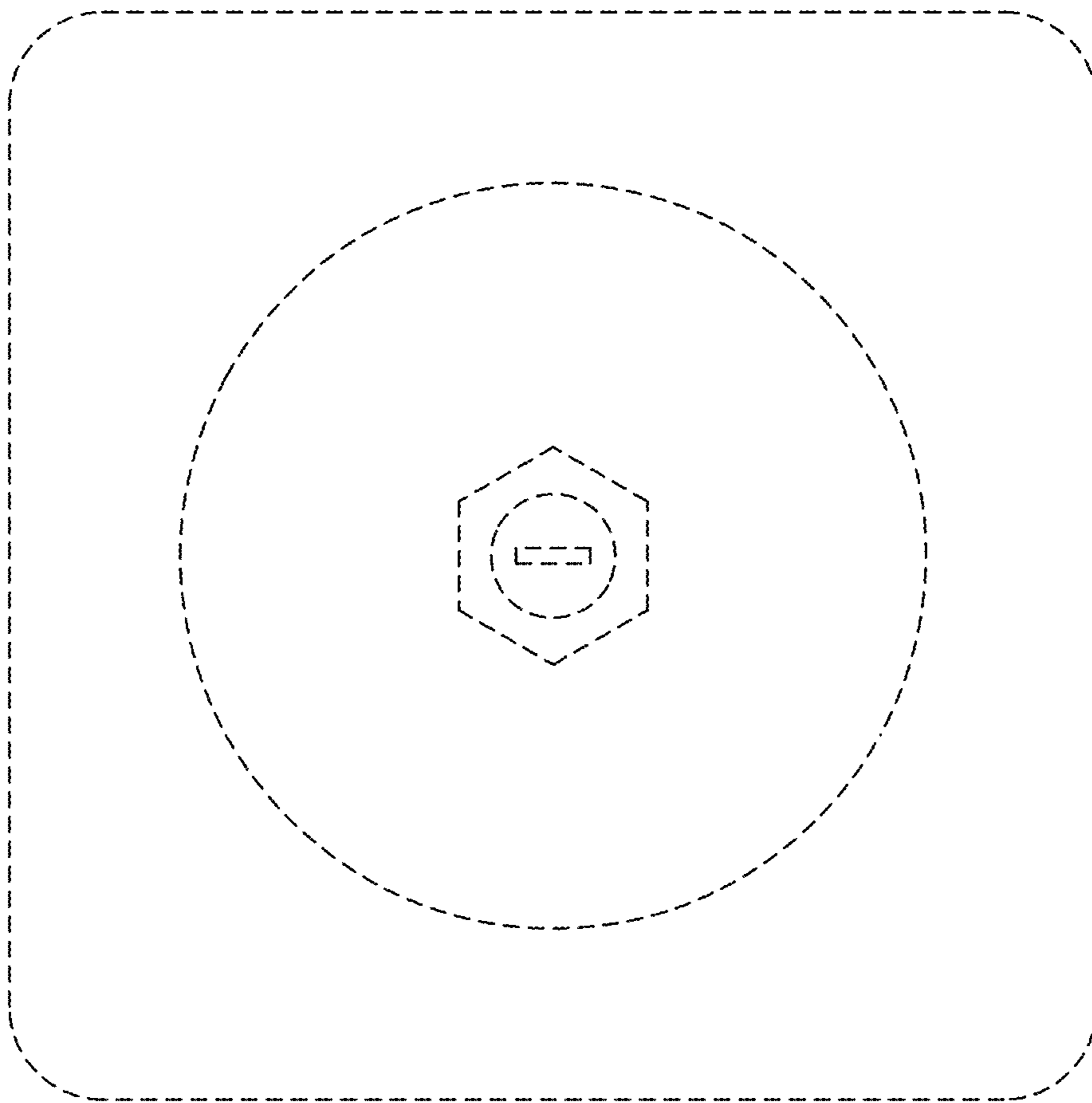




FIG. 8

