



US00D706854S

(12) **United States Design Patent**
Hirose

(10) **Patent No.:** **US D706,854 S**
(45) **Date of Patent:** **** Jun. 10, 2014**

(54) **RELEASE BUTTONS OF A REMOVAL LENS
FRAME FOR PROJECTOR**

D550,748 S * 9/2007 Uchiyama D16/230
D574,876 S * 8/2008 Yano D16/230
D599,393 S * 9/2009 Takeda et al. D16/225

(75) Inventor: **Ryuichirou Hirose**, Osaka (JP)

FOREIGN PATENT DOCUMENTS

(73) Assignee: **Panasonic Corporation**, Osaka (JP)

JP D1299710 5/2007

(**) Term: **14 Years**

* cited by examiner

(21) Appl. No.: **29/410,774**

Primary Examiner — Wan Laymon

(22) Filed: **Jan. 12, 2012**

(74) *Attorney, Agent, or Firm* — Panasonic Patent Center

(30) **Foreign Application Priority Data**

(57) **CLAIM**

Sep. 30, 2011 (JP) 2011-022440

I claim the ornamental design for release buttons of a removal lens frame for projector, as shown and described.

(51) **LOC (10) Cl.** **16-02**

DESCRIPTION

(52) **U.S. Cl.**
USPC **D16/235**

FIG. 1 is a top perspective view of release buttons of a removal lens frame for projector of the present invention; FIG. 2 is a front view thereof; FIG. 3 is a rear view thereof; FIG. 4 is a first side view thereof; FIG. 5 is a second side view thereof; FIG. 6 is a top view thereof; FIG. 7 is a bottom view thereof; and, FIG. 8 is a reference view in the condition of the removal lens frame being attached to a projector thereof.

(58) **Field of Classification Search**
USPC D16/235, 205, 219, 200–204, 221–225,
D16/229–234; D13/168; D14/218;
D21/514; 353/72, 85, 87, 100–101,
353/115, 119, 122; 359/642, 649, 805, 819,
359/822, 823, 827
See application file for complete search history.

The broken line showing of release buttons of a removal lens frame for projector is included for the purpose of illustrating environment and forms no part of the claimed design. Additionally, the unevenly broken lines in the drawings define the limits of the claimed design.

(56) **References Cited**

U.S. PATENT DOCUMENTS

D410,020 S * 5/1999 Adachi D16/231
D439,923 S * 4/2001 Kawamoto D16/231

1 Claim, 8 Drawing Sheets

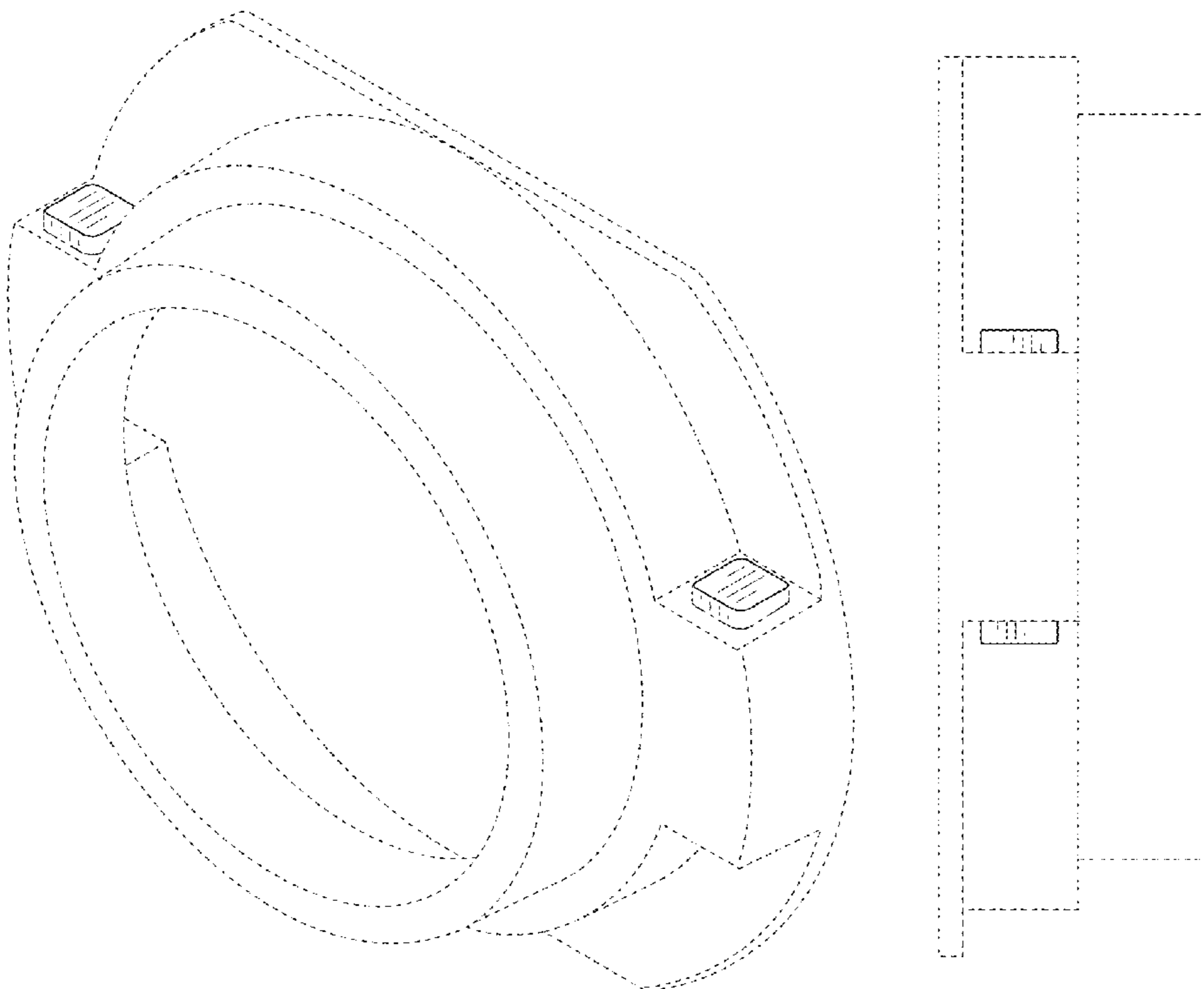


FIG. 1

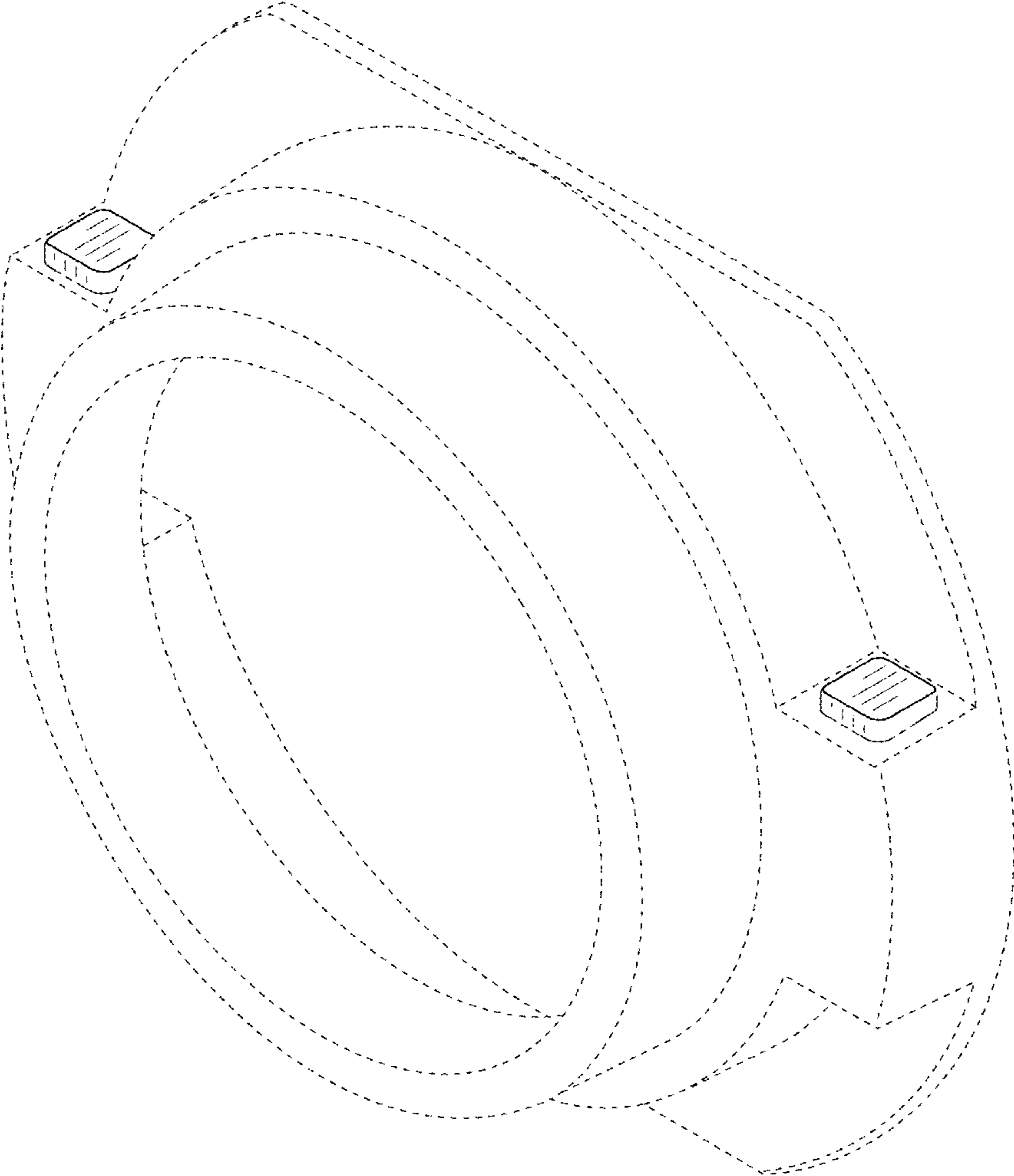


FIG. 2

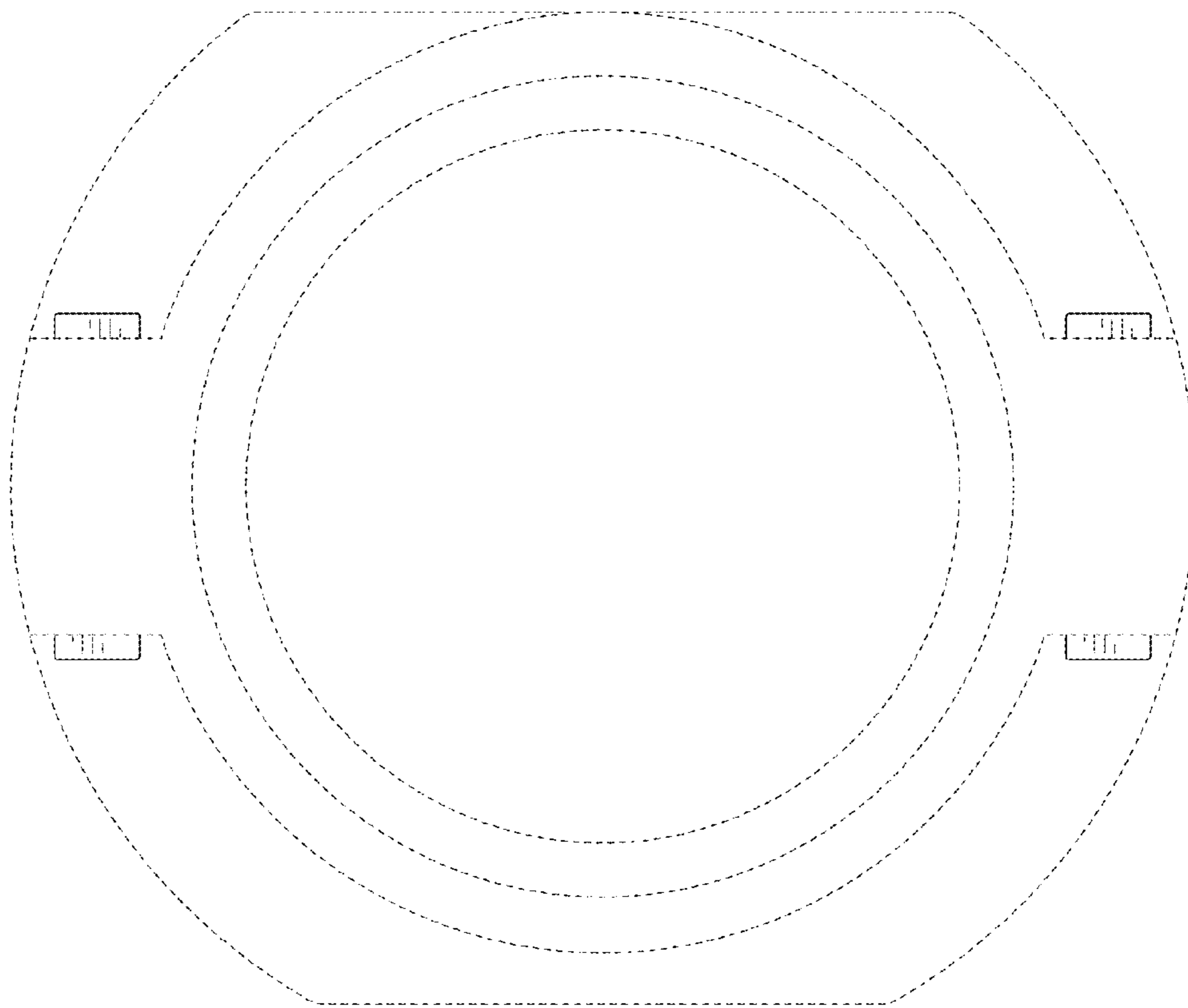


FIG. 3

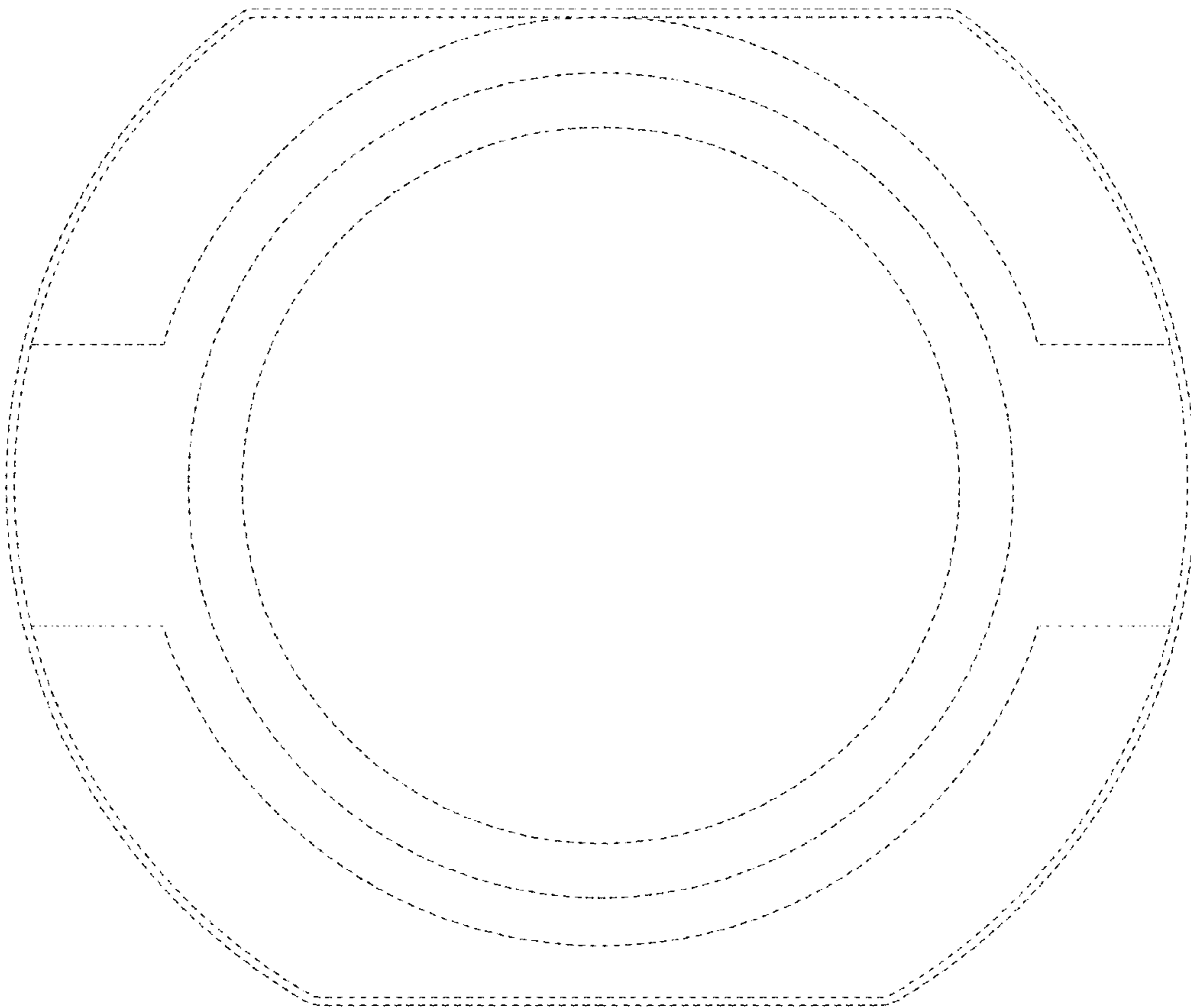


FIG. 4

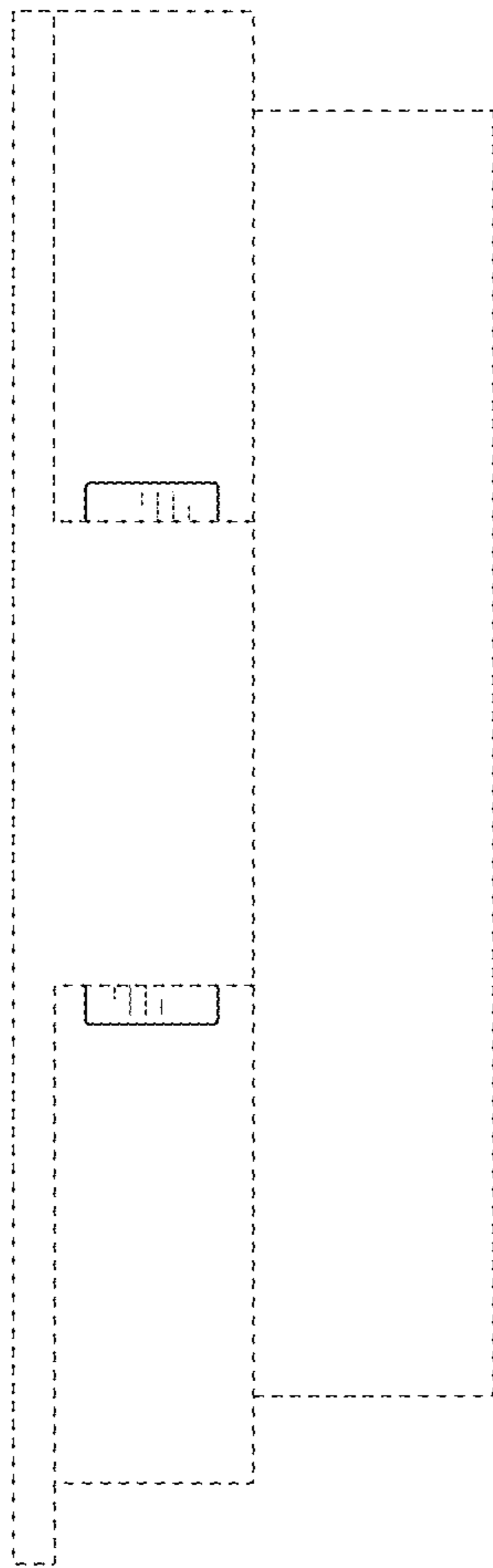


FIG. 5

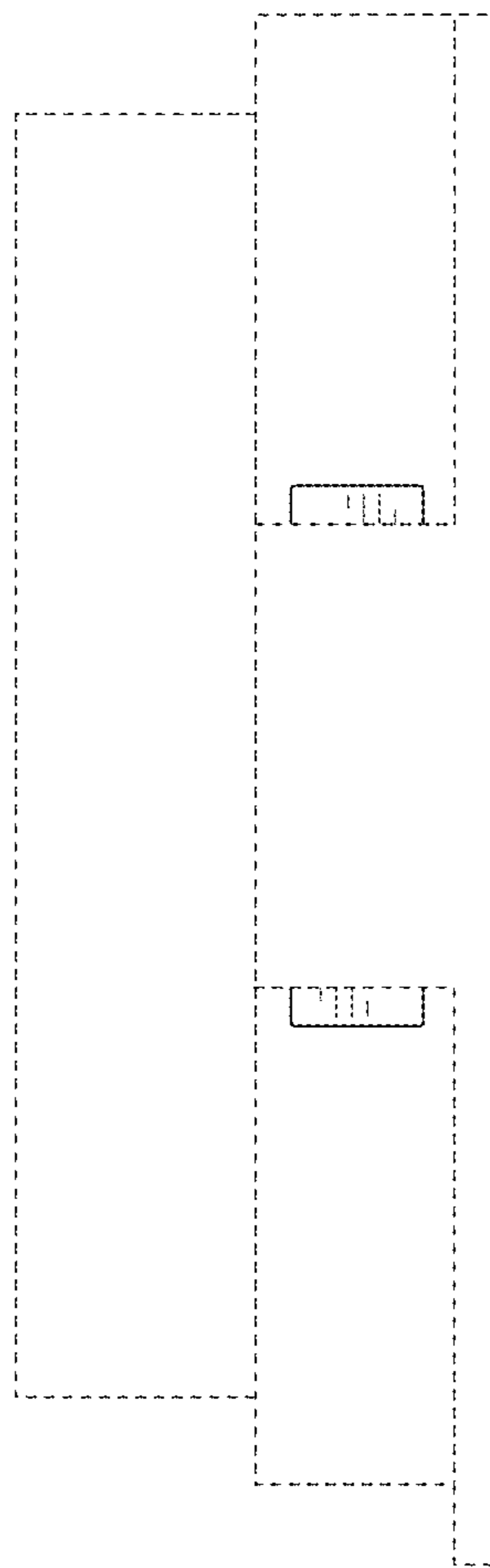


FIG. 6

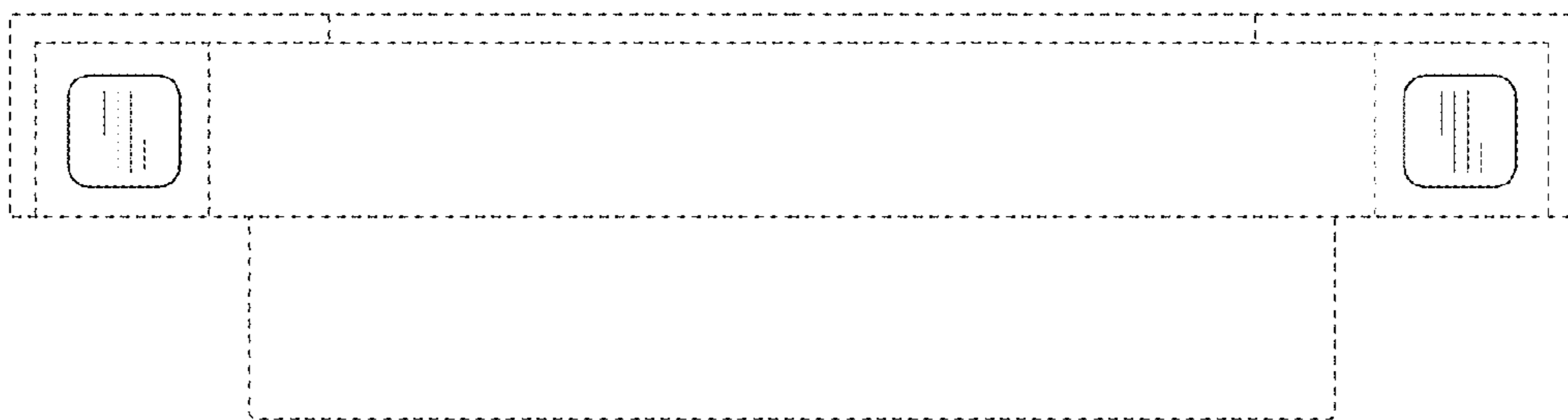


FIG. 7

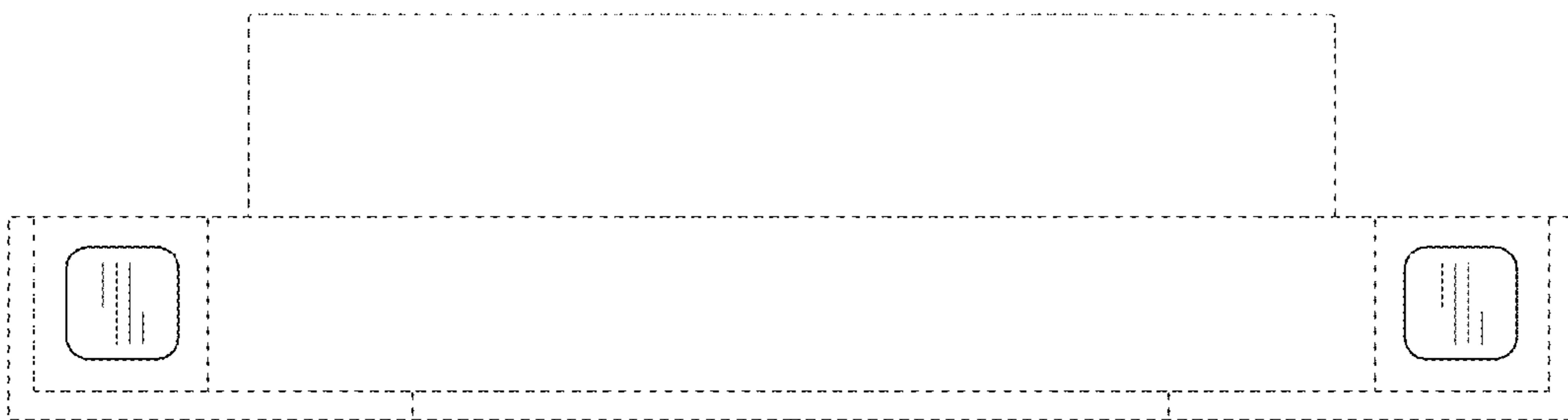


FIG. 8

