



US00D706853S

(12) **United States Design Patent**  
**Hasuda**

(10) **Patent No.:** **US D706,853 S**  
(45) **Date of Patent:** **\*\* Jun. 10, 2014**

(54) **INTERMEDIATE ADAPTER FOR A CAMERA**

(71) Applicant: **Nikon Corporation**, Tokyo (JP)

(72) Inventor: **Masanori Hasuda**, Fujisawa (JP)

(73) Assignee: **Nikon Corporation**, Tokyo (JP)

(\*\*) Term: **14 Years**

(21) Appl. No.: **29/451,771**

(22) Filed: **Apr. 8, 2013**

**Related U.S. Application Data**

(62) Division of application No. 29/412,567, filed on Feb. 6, 2012.

(30) **Foreign Application Priority Data**

Aug. 10, 2011	(JP)	.....	2011-018386
Sep. 15, 2011	(JP)	.....	2011-021121
Sep. 15, 2011	(JP)	.....	2011-021122
Sep. 15, 2011	(JP)	.....	2011-021123
Sep. 15, 2011	(JP)	.....	2011-021124
Sep. 15, 2011	(JP)	.....	2011-021125
Sep. 15, 2011	(JP)	.....	2011-021126
Sep. 15, 2011	(JP)	.....	2011-021127

(51) **LOC (10) Cl.** ..... **16-01**

(52) **U.S. Cl.**  
USPC ..... **D16/219**

(58) **Field of Classification Search**  
USPC ..... D16/130, 134, 136, 200, 202, 204, 218,  
D16/219; 359/642, 811, 819, 827, 828, 830;  
396/529, 530, 531, 532; 348/373, 374,  
348/375, 376; 358/909.1  
See application file for complete search history.

(56) **References Cited**

**U.S. PATENT DOCUMENTS**

4,063,264 A \* 12/1977 Ando et al. .... 396/531

4,118,713 A *	10/1978	Murakami et al. ....	396/227
D251,669 S *	4/1979	Ueda et al. ....	D16/134
5,262,899 A *	11/1993	Iizuka ....	359/811
5,481,406 A *	1/1996	Yamazaki et al. ....	359/694
5,570,153 A *	10/1996	Shono ....	396/531
D375,969 S *	11/1996	Watanabe ....	D16/134
D390,857 S *	2/1998	Hayamizu ....	D16/134

(Continued)

**OTHER PUBLICATIONS**

Office Action from Design U.S. Appl. No. 29/451,766, dated Aug. 29, 2013.

*Primary Examiner* — Phillip S Hyder

(74) *Attorney, Agent, or Firm* — Wolf, Greenfield & Sacks, P.C.; Randy C. Pritzker

(57) **CLAIM**

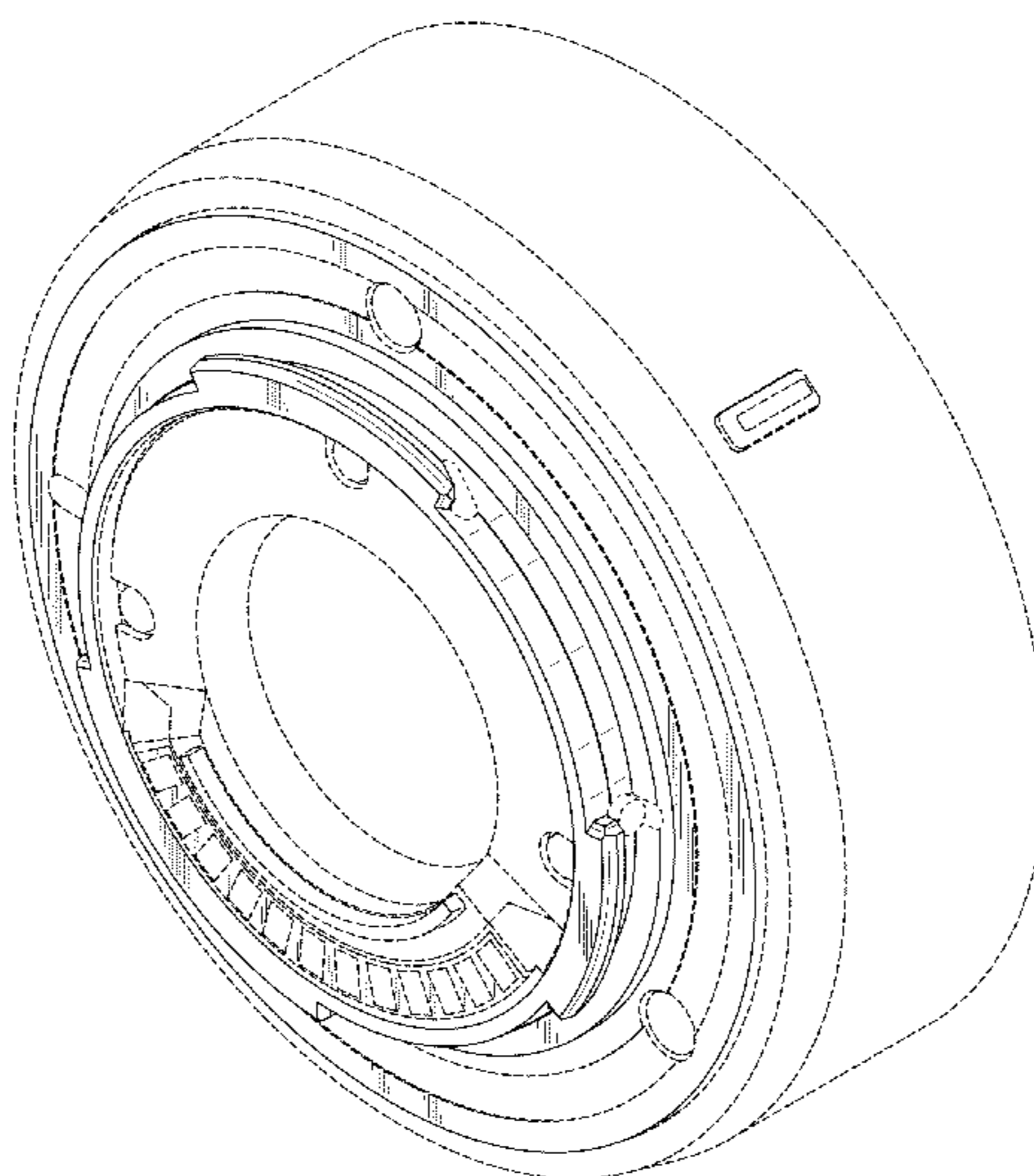
The ornamental design for an intermediate adapter for camera, as shown and described.

**DESCRIPTION**

FIG. 1 is a perspective view of a first embodiment of an intermediate adapter for a camera showing my new design; FIG. 2 is a rear elevational view thereof; FIG. 3 is a top plan view thereof; FIG. 4 is a bottom plan view thereof; FIG. 5 is a right side elevational view thereof; FIG. 6 is a left side elevational view thereof; FIG. 7 is a perspective view of a second embodiment of an intermediate adapter for a camera showing my new design; FIG. 8 is a rear elevational view thereof; FIG. 9 is a top plan view thereof; FIG. 10 is a bottom plan view thereof; FIG. 11 is a right side elevational view thereof; and, FIG. 12 is a left side elevational view thereof.

The features shown in broken lines in the drawings depict environmental subject matter only and form no part of the claimed design.

**1 Claim, 12 Drawing Sheets**



(56)

**References Cited**

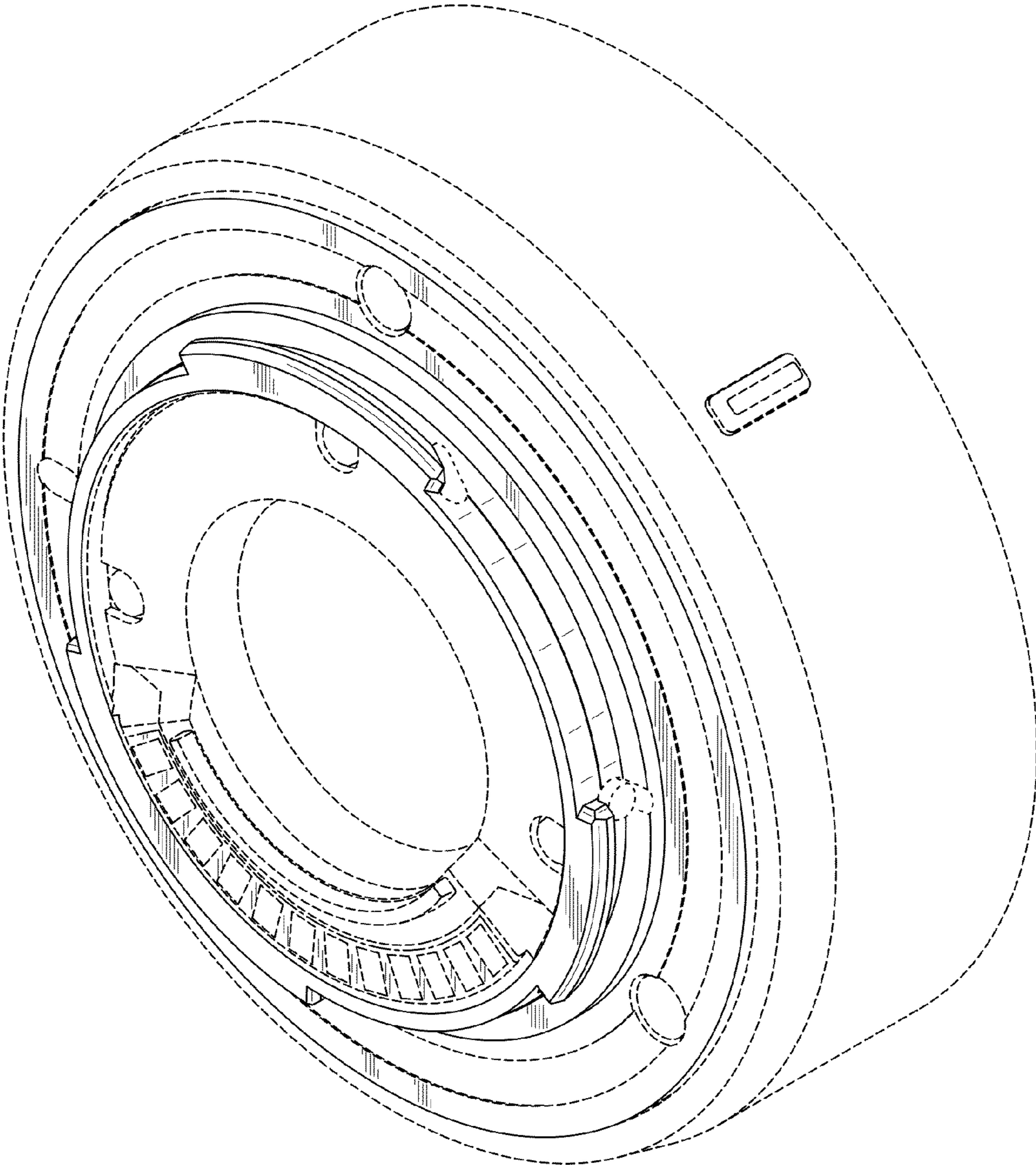
U.S. PATENT DOCUMENTS

D420,029 S \* 2/2000 Kimura et al. .... D16/134  
 D425,088 S \* 5/2000 Watanabe ..... D16/134  
 D433,044 S \* 10/2000 Nagaoka et al. .... D16/134  
 D441,382 S \* 5/2001 Konno et al. .... D16/134  
 6,369,960 B2 \* 4/2002 Azegami ..... 359/819  
 6,554,503 B2 \* 4/2003 Imanari et al. .... 396/531  
 D482,377 S \* 11/2003 Tajima ..... D16/134  
 D523,057 S \* 6/2006 Watanabe ..... D16/219  
 D537,096 S \* 2/2007 Tokiwa et al. .... D16/219  
 D537,461 S \* 2/2007 Tokiwa et al. .... D16/219  
 D539,320 S \* 3/2007 Tokiwa et al. .... D16/219  
 D540,363 S \* 4/2007 Tokiwa et al. .... D16/219  
 D549,263 S \* 8/2007 Tokiwa et al. .... D16/219  
 D549,264 S \* 8/2007 Tokiwa ..... D16/219

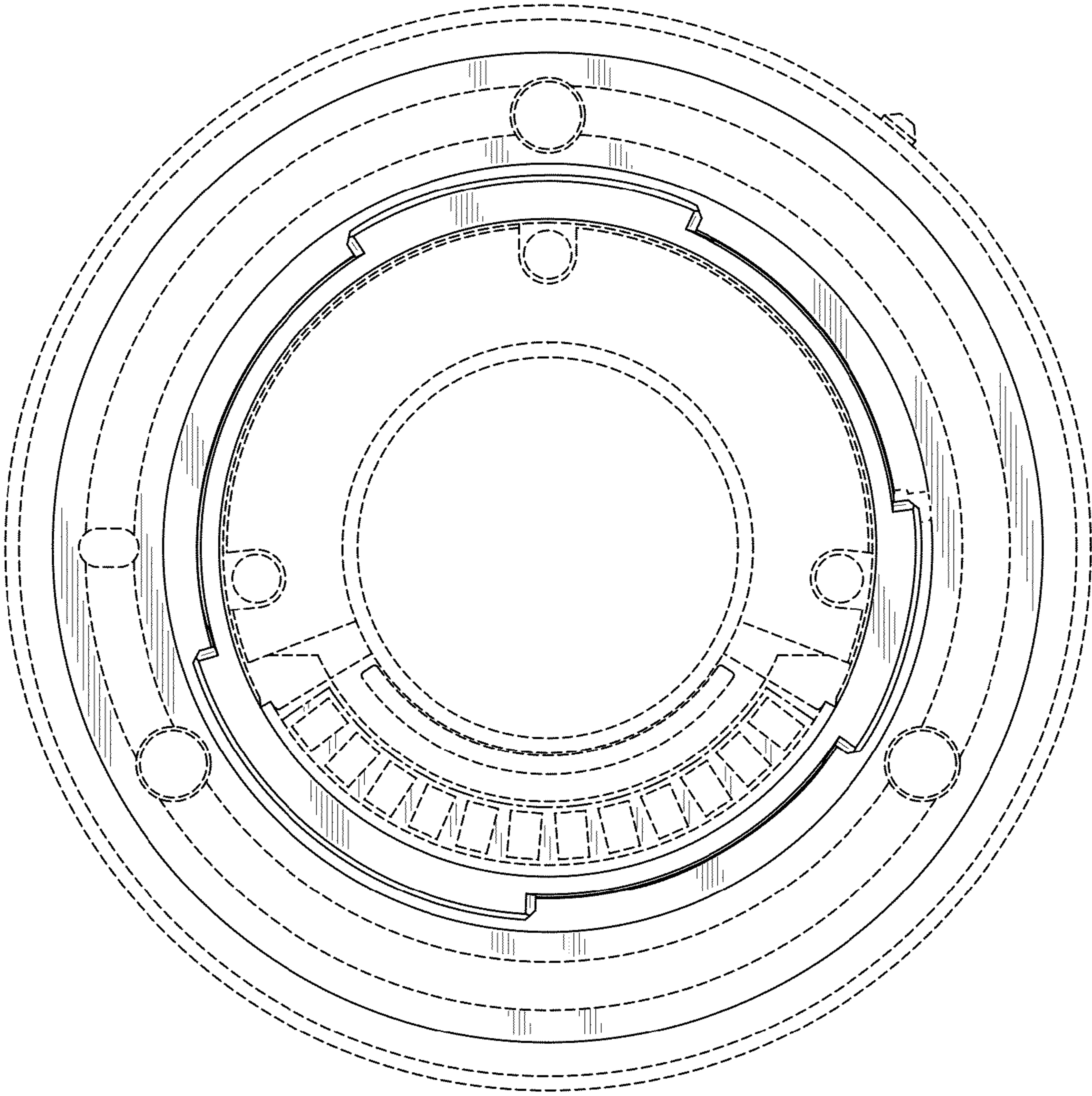
D552,147 S \* 10/2007 Tajima ..... D16/219  
 D559,884 S \* 1/2008 Tokiwa ..... D16/219  
 7,593,169 B2 \* 9/2009 Ouchi ..... 359/702  
 7,625,144 B2 \* 12/2009 Kranz et al. .... 396/529  
 7,798,731 B2 \* 9/2010 Kurosawa ..... 396/505  
 7,848,634 B2 \* 12/2010 Kranz et al. .... 396/310  
 7,853,137 B2 \* 12/2010 Yang ..... 396/71  
 7,961,411 B2 \* 6/2011 Lee ..... 359/819  
 7,988,372 B2 \* 8/2011 Lee et al. .... 396/531  
 8,002,483 B2 \* 8/2011 Fujiwara et al. .... 396/531  
 8,027,576 B2 \* 9/2011 Lai ..... 396/25  
 D665,837 S \* 8/2012 Tainaka ..... D16/219  
 D670,751 S \* 11/2012 Koyama et al. .... D16/219  
 D671,586 S \* 11/2012 Asano et al. .... D16/219  
 2010/0226023 A1 \* 9/2010 Lee ..... 359/819  
 2011/0274424 A1 \* 11/2011 Fujiwara et al. .... 396/532  
 2012/0039595 A1 \* 2/2012 Youn ..... 396/529

\* cited by examiner

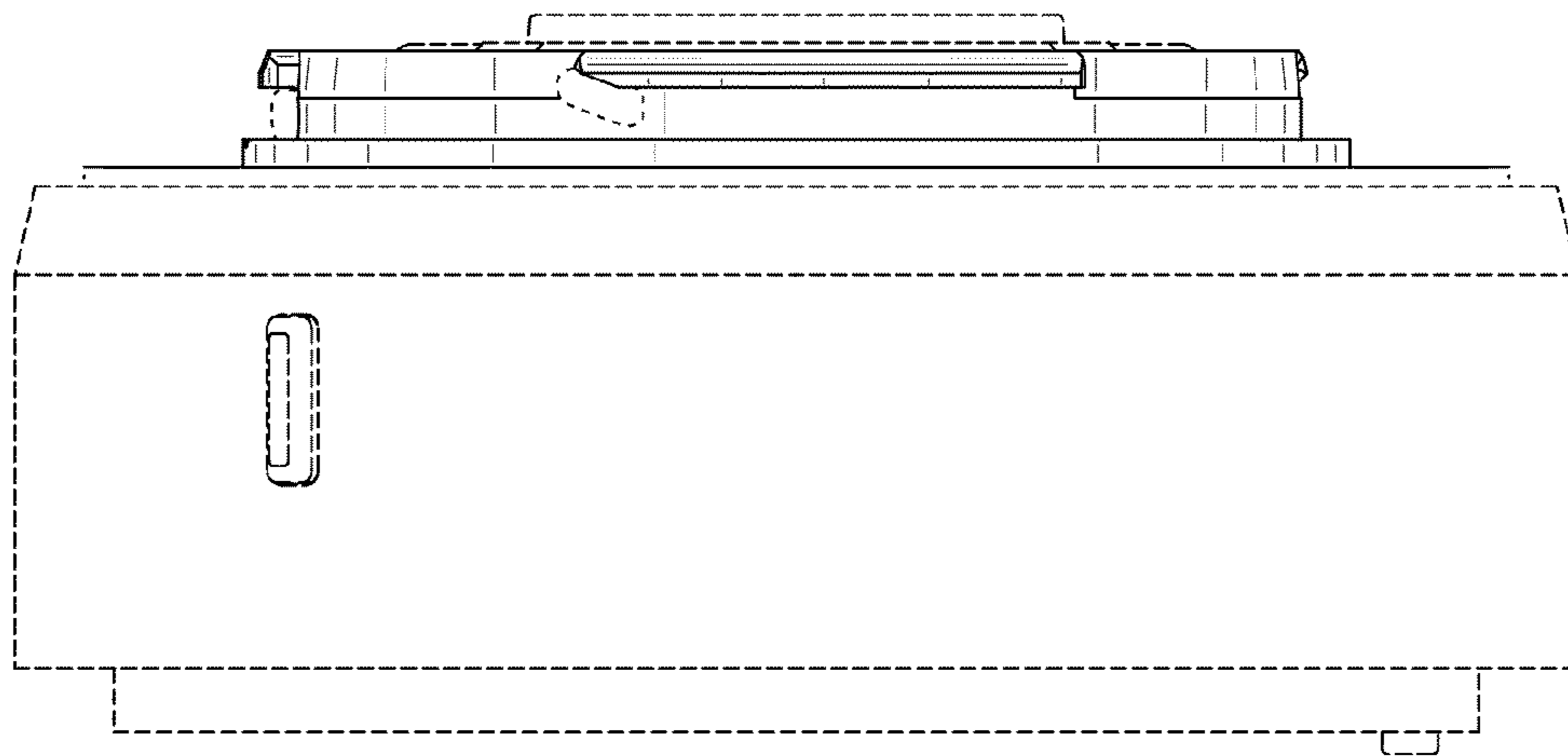
**FIG. 1**



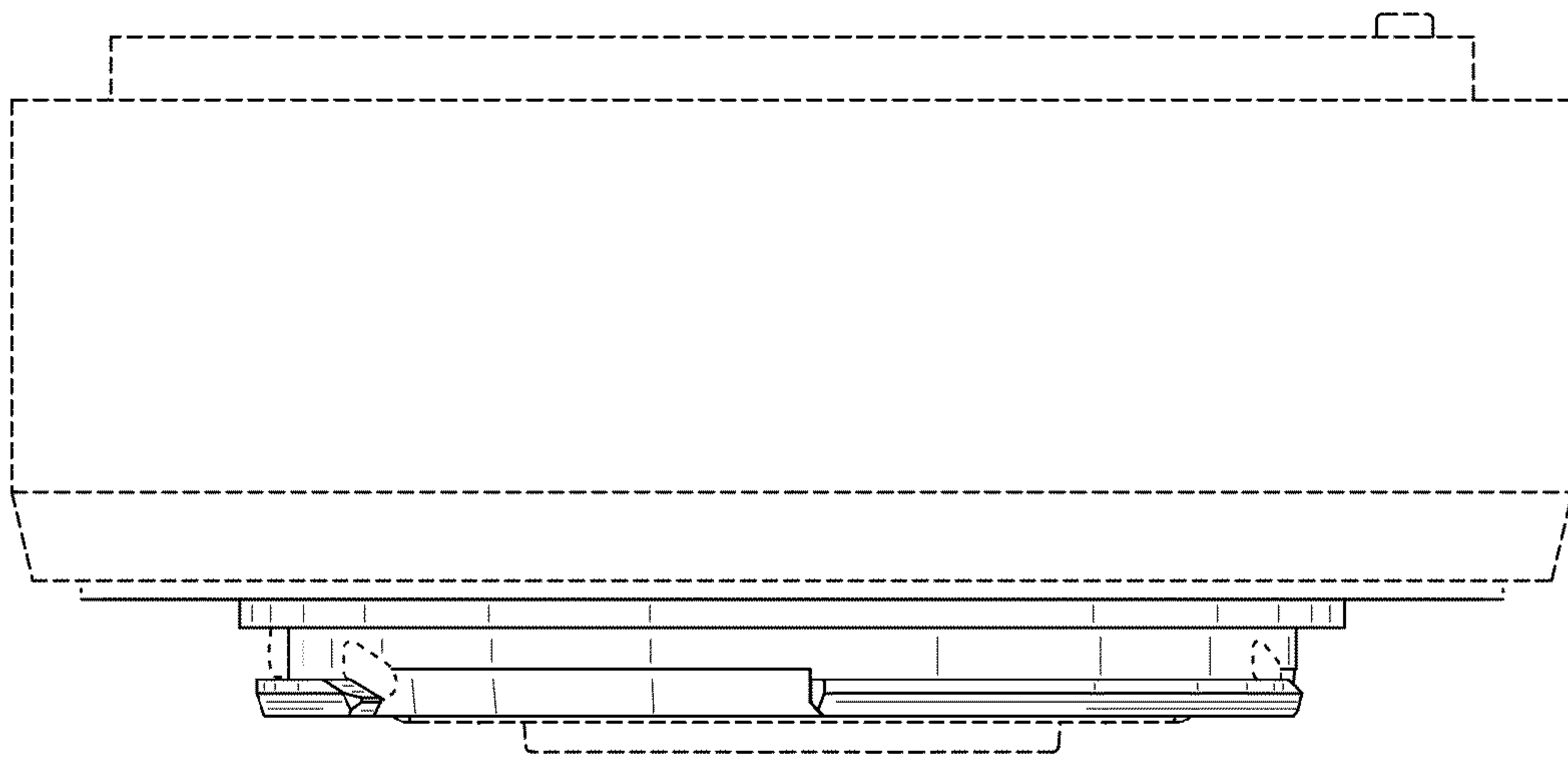
**FIG. 2**



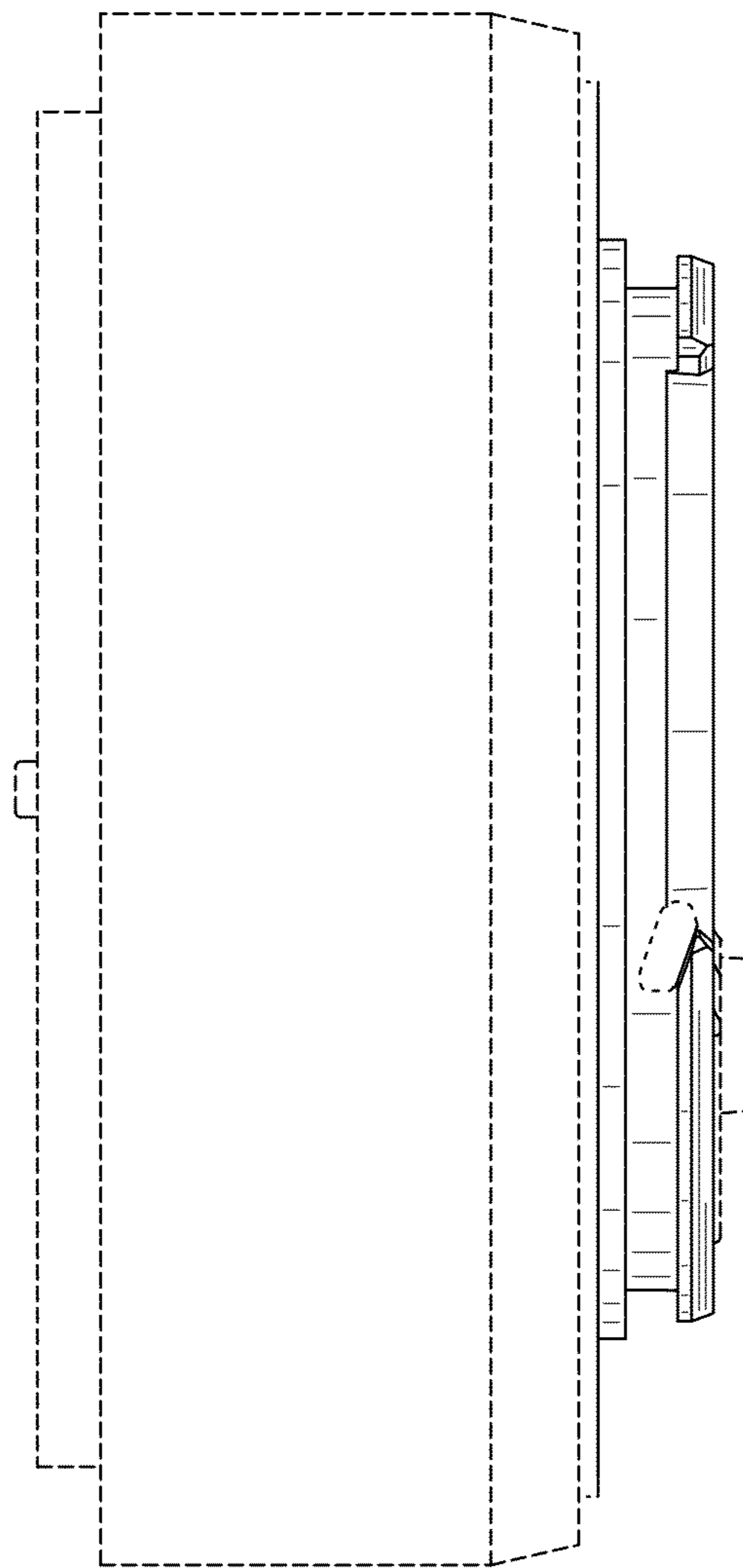
*FIG. 3*



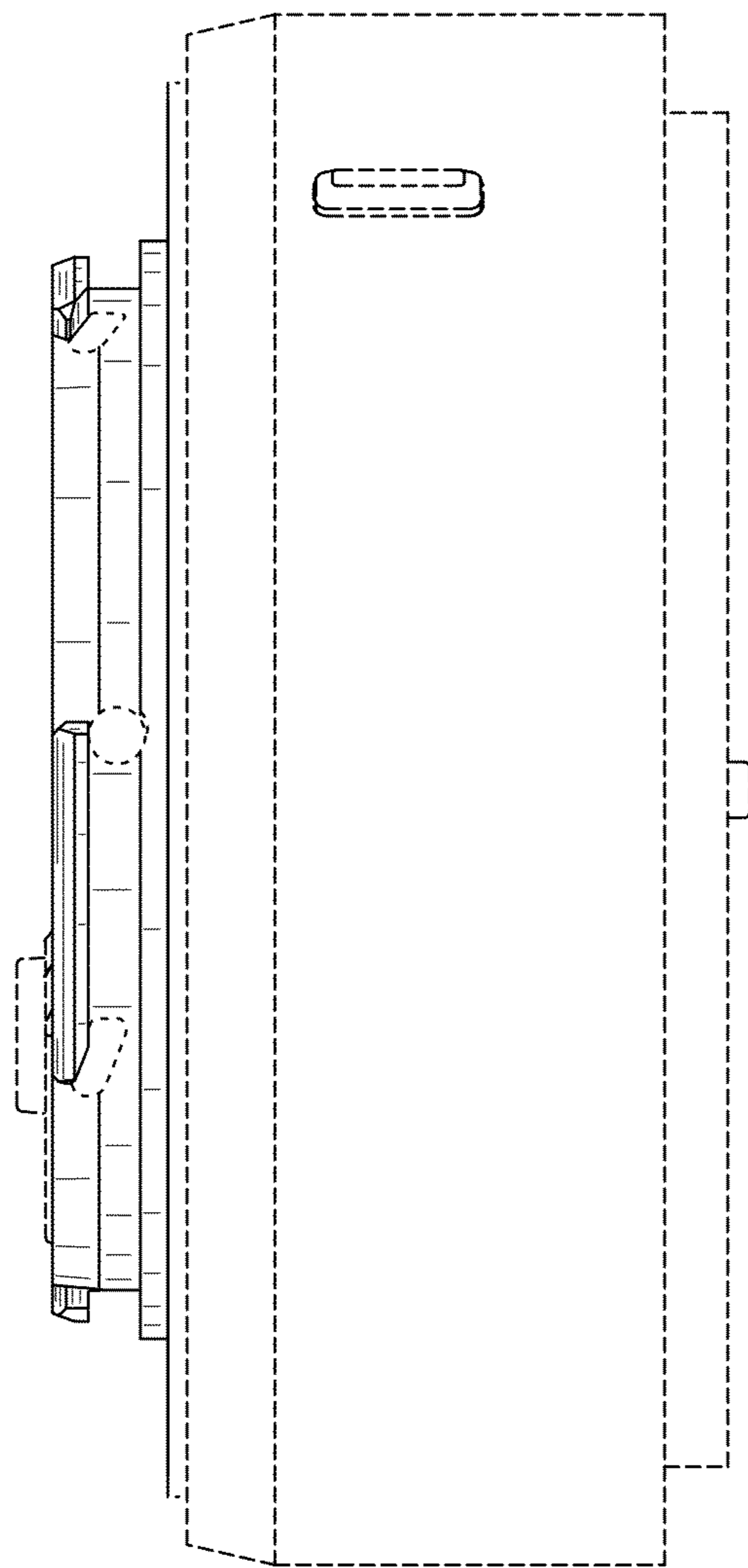
**FIG. 4**



*FIG. 5*

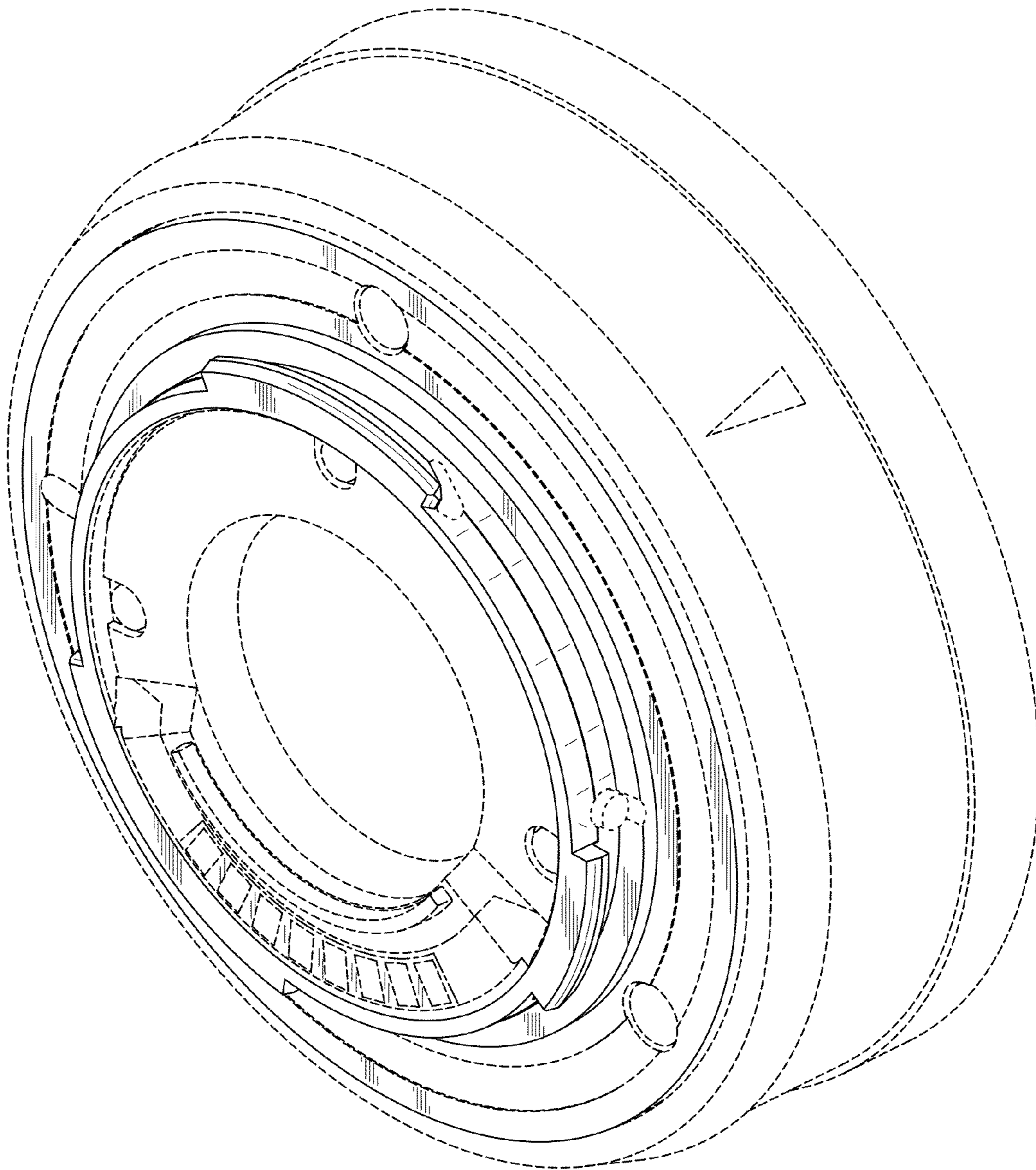


**FIG. 6**

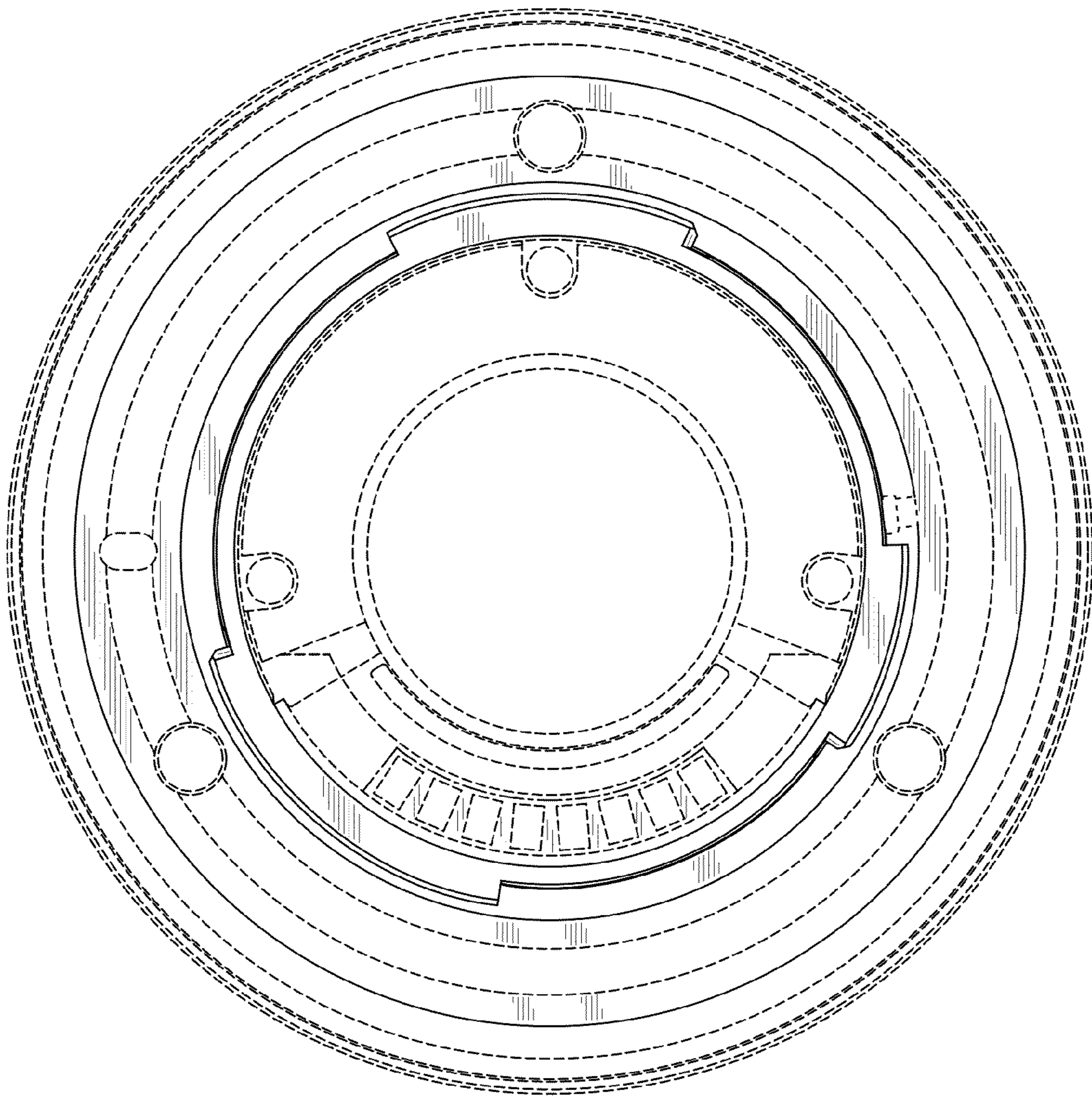




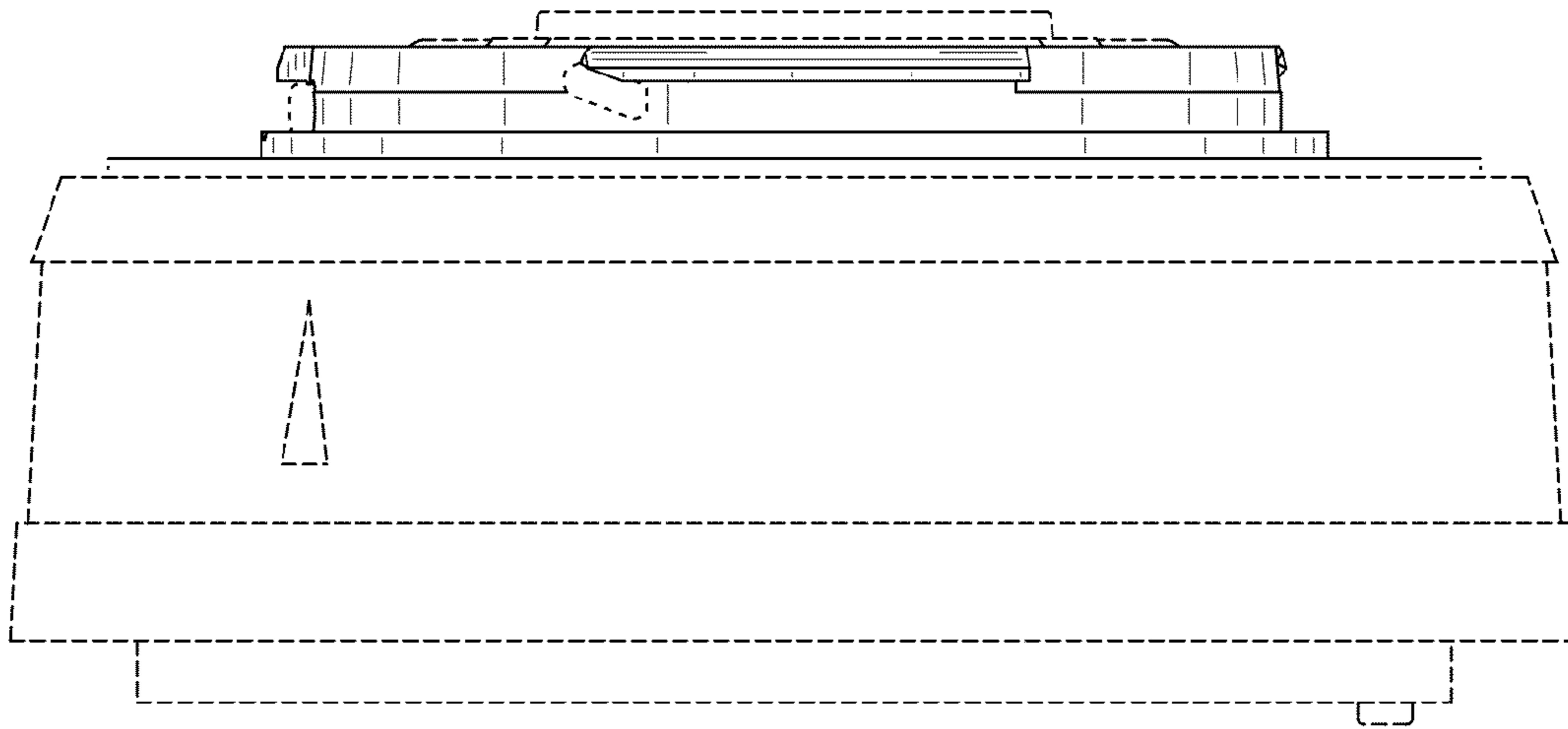
**FIG. 7**



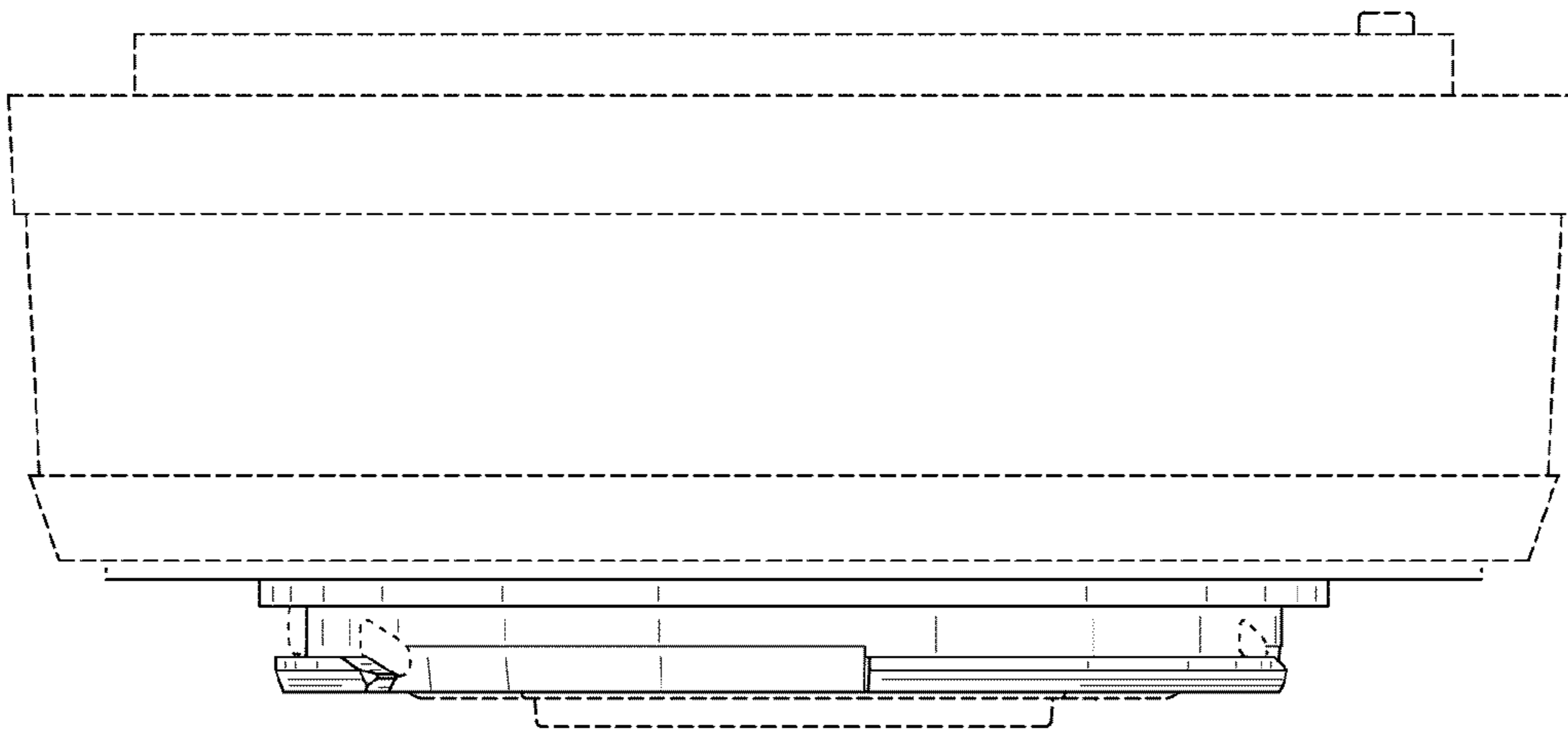
*FIG. 8*



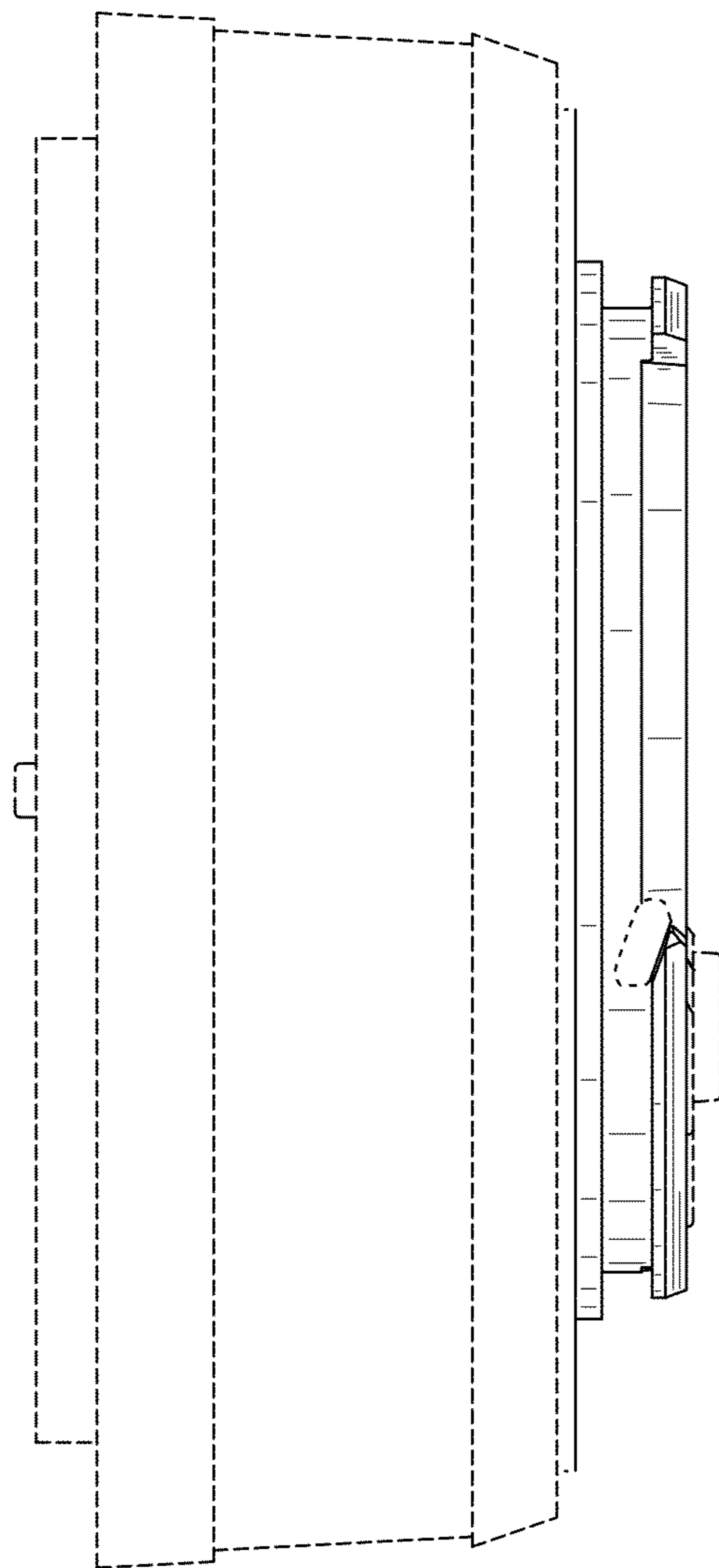
**FIG. 9**



*FIG. 10*



*FIG. 11*



**FIG. 12**

