



US00D706852S

(12) **United States Design Patent**
Carver et al.

(10) **Patent No.:** **US D706,852 S**
(45) **Date of Patent:** **** Jun. 10, 2014**

(54) **SECURITY CAMERA HOUSING**
(75) Inventors: **Jon Carver**, Millbrae, CA (US);
Kimberlee Hayashi, San Francisco, CA
(US); **Tark Abed**, Palo Alto, CA (US);
Joel Matlin, Toronto (CA); **Iwan Mota**,
Toronto (CA)

D603,440 S 11/2009 Alm et al.
D603,887 S * 11/2009 Alm et al. D16/203
7,636,121 B2 12/2009 Matsumoto et al.
D609,727 S 2/2010 Adolfsson et al.
7,710,457 B2 5/2010 Schnell
D671,584 S * 11/2012 Ohno D16/202
D673,989 S * 1/2013 Ying et al. D16/203

* cited by examiner

(73) Assignee: **Alarmforce Industries, Inc.**, Toronto
(CA)

Primary Examiner — Adir Aronovich
(74) *Attorney, Agent, or Firm* — Dunlap Coddling P.C.

(**) Term: **14 Years**

(21) Appl. No.: **29/418,572**

(57) **CLAIM**
The ornamental design for a security camera housing, as
shown and described.

(22) Filed: **Apr. 18, 2012**

Related U.S. Application Data

DESCRIPTION

(62) Division of application No. 29/378,218, filed on Nov.
1, 2010, now Pat. No. Des. 666,233.
(51) **LOC (10) Cl.** **16-01**
(52) **U.S. Cl.**
USPC **D16/203**
(58) **Field of Classification Search**
USPC D16/200, 202, 203, 204, 208, 218;
348/373–376; 396/535–541
See application file for complete search history.

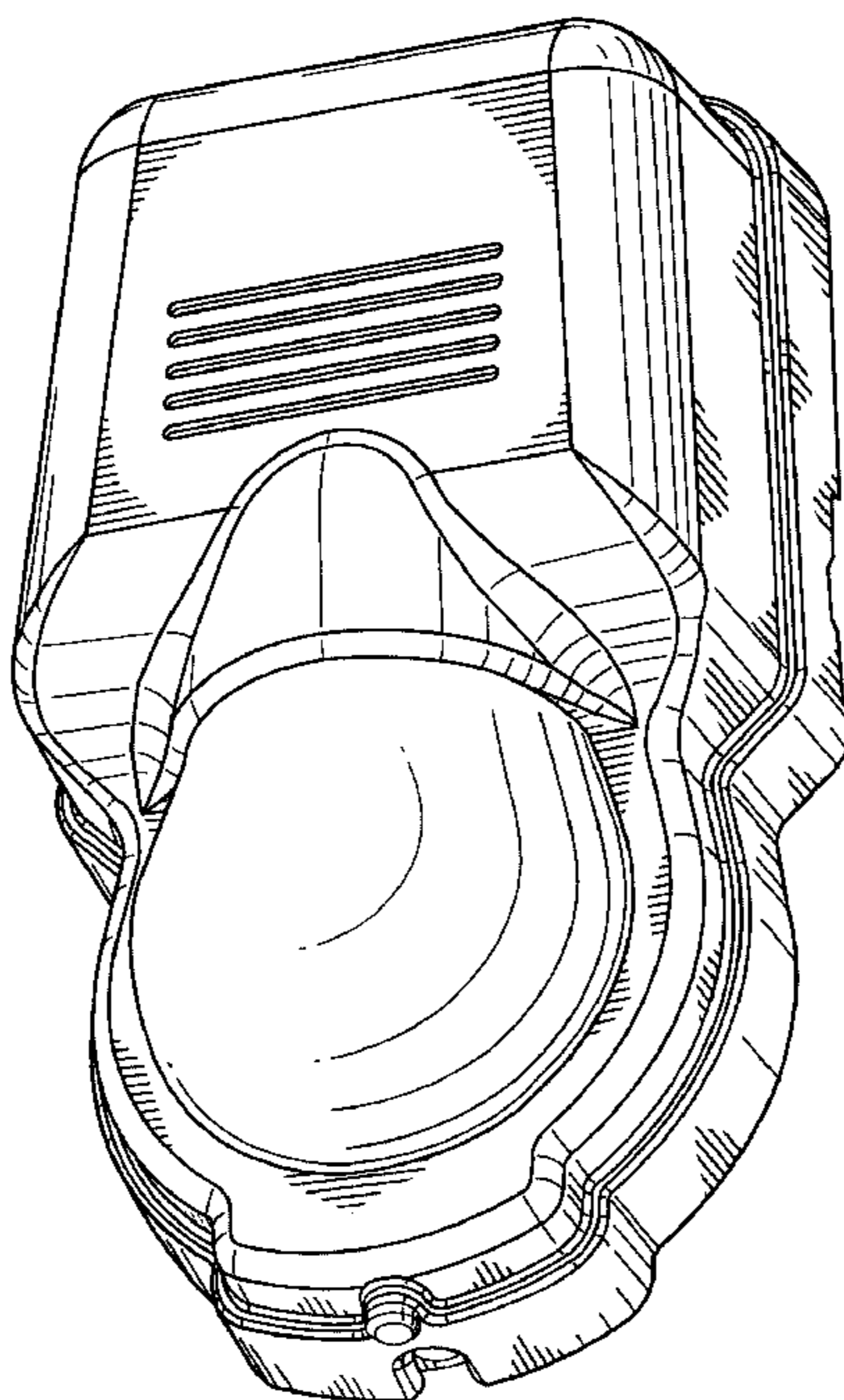
FIG. 1 is a front, bottom, and left side perspective view of a
security camera housing according to our design.
FIG. 2 is a front elevation view thereof.
FIG. 3 is a left side elevation view thereof.
FIG. 4 is a right side elevation view thereof.
FIG. 5 is a rear elevation view thereof.
FIG. 6 is a bottom plan view thereof; and,
FIG. 7 is a top plan view thereof.
In FIG. 5, the dotted/dashed lines immediately adjacent solid
lines represent unclaimed boundaries of the claimed design
and, as such, the configuration of the unshaded surfaces
defined by those dotted/dashed lines form no part of the
claimed design.
Portions of the security camera housing not shown in the
Figures and not otherwise described in this specification do
not form part of the claimed design.

(56) **References Cited**

U.S. PATENT DOCUMENTS

D160,300 S 10/1950 Chapman
D389,500 S * 1/1998 Krekelberg D16/202
D464,069 S 10/2002 Serbinski et al.
D544,515 S * 6/2007 Walter et al. D16/203
7,354,206 B2 4/2008 Kobayashi

1 Claim, 6 Drawing Sheets



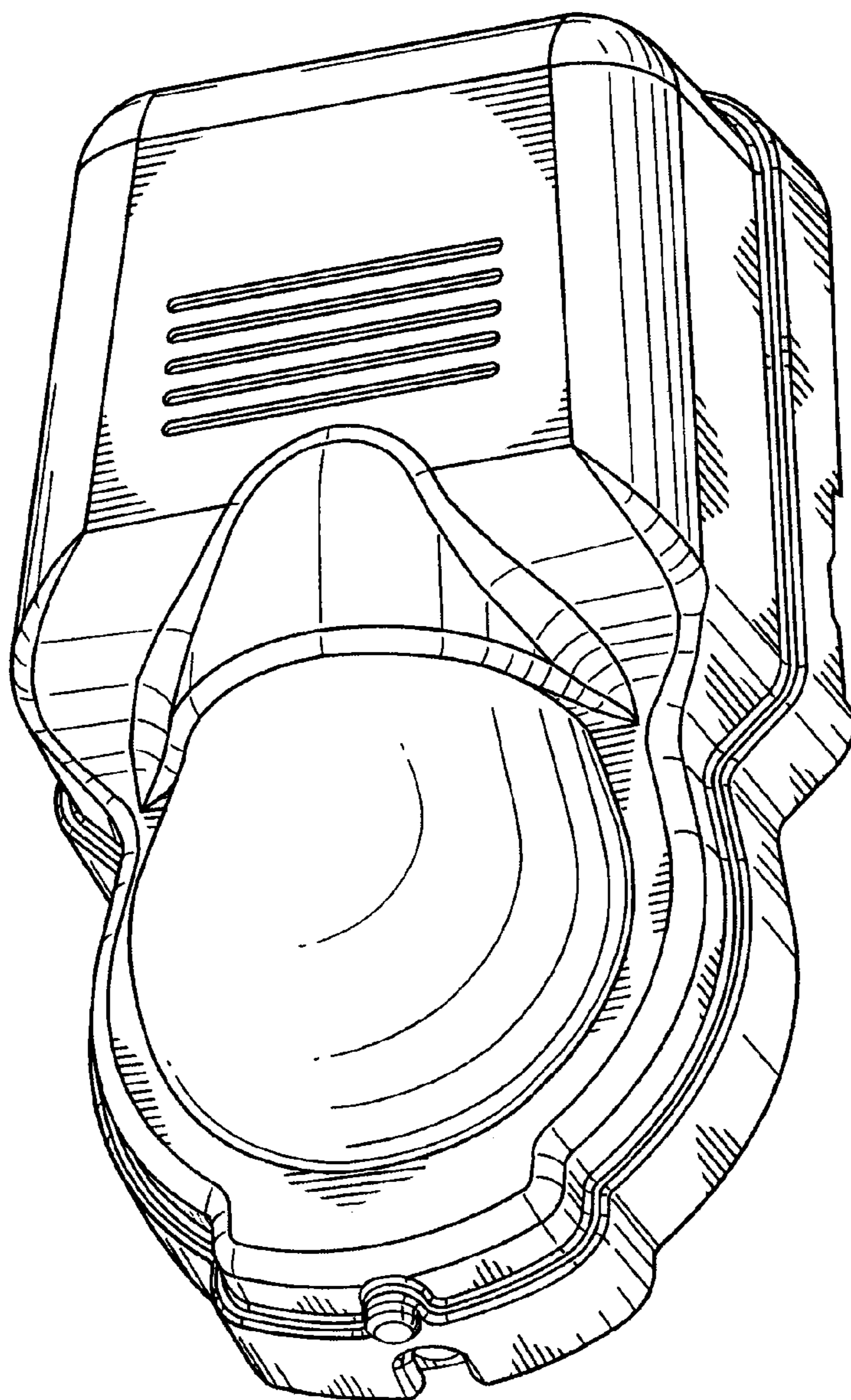


FIG. 1

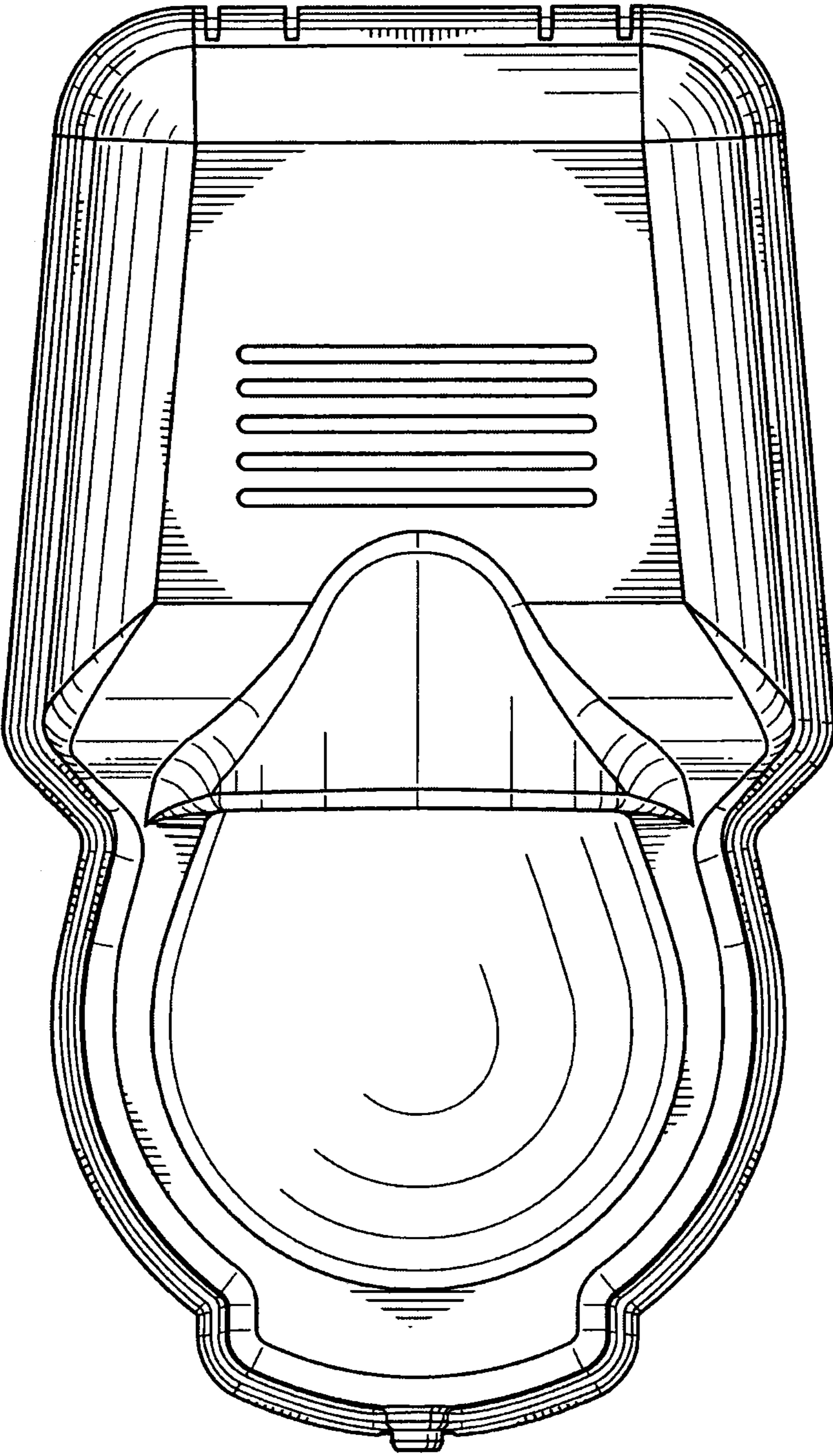


FIG. 2

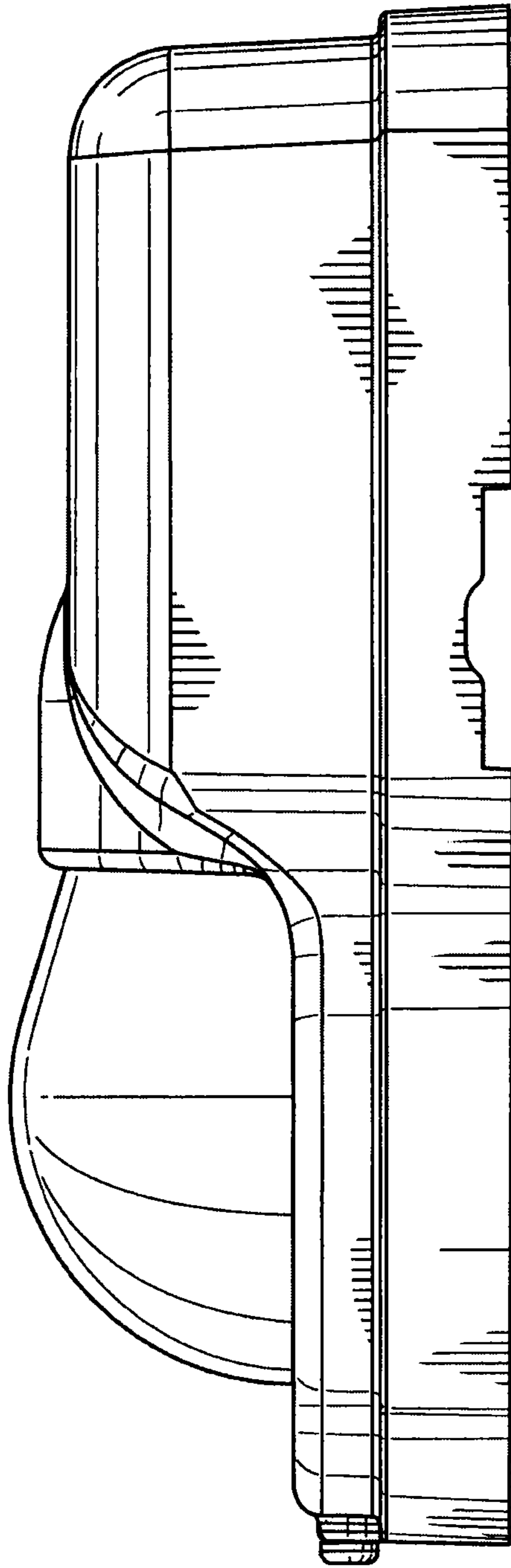


FIG. 3

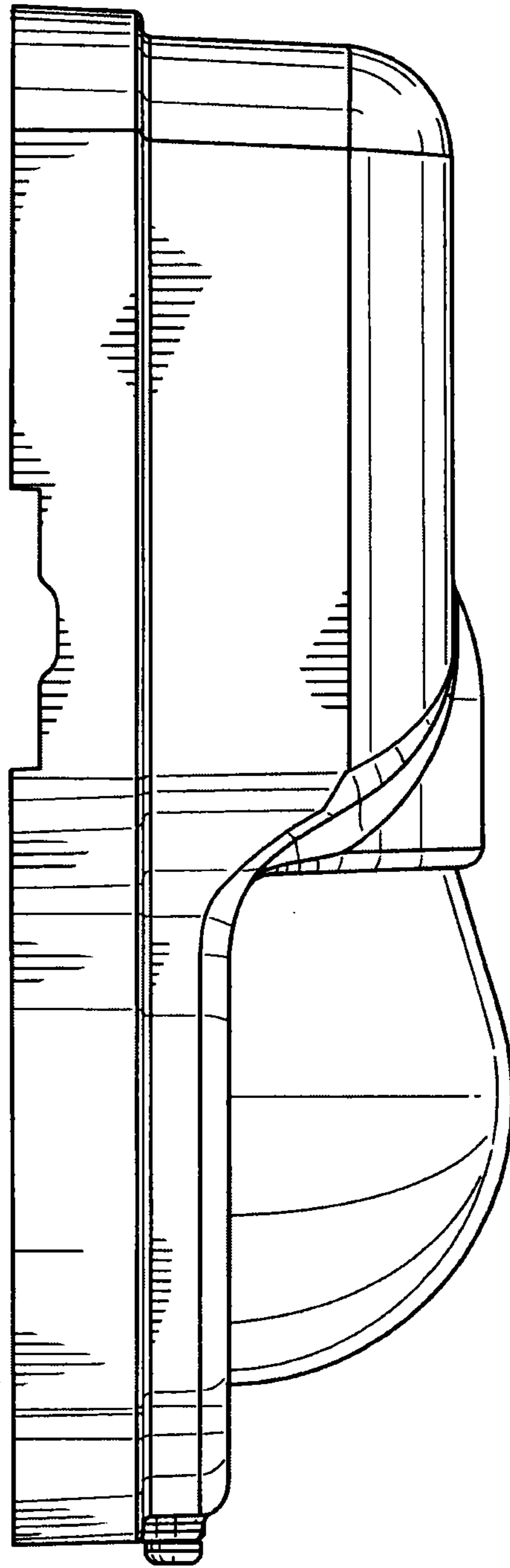


FIG. 4

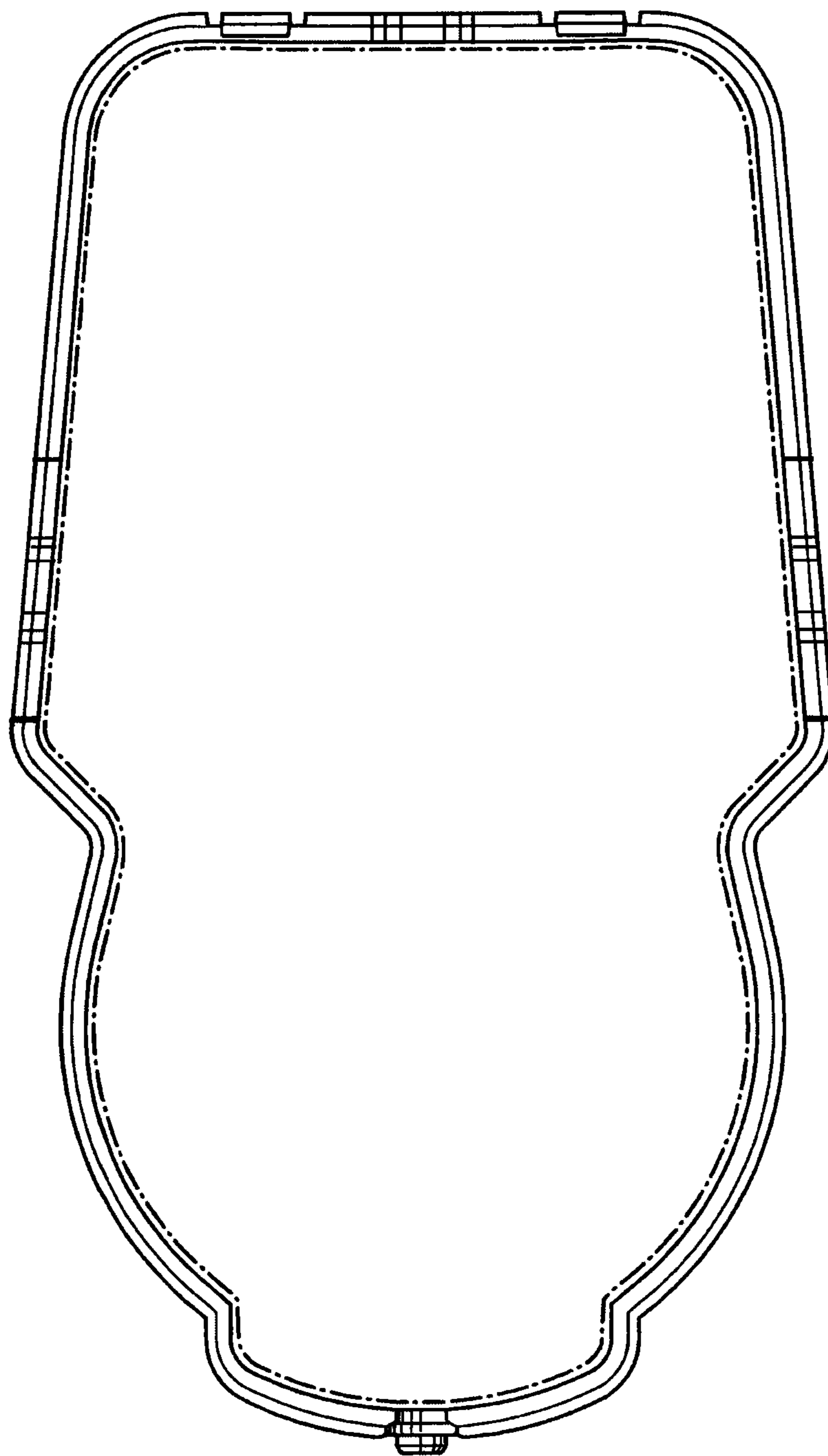


FIG. 5

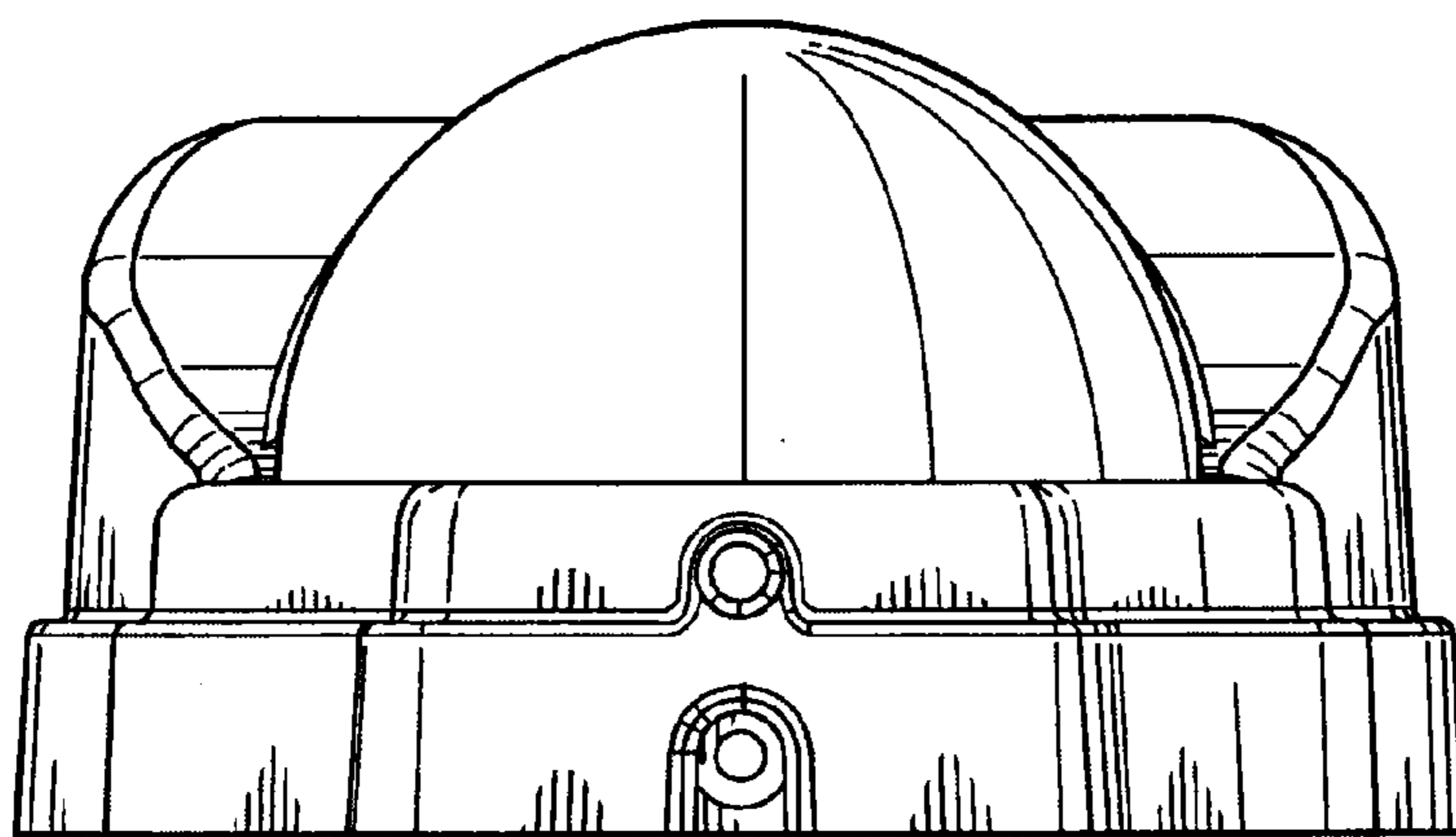


FIG. 6

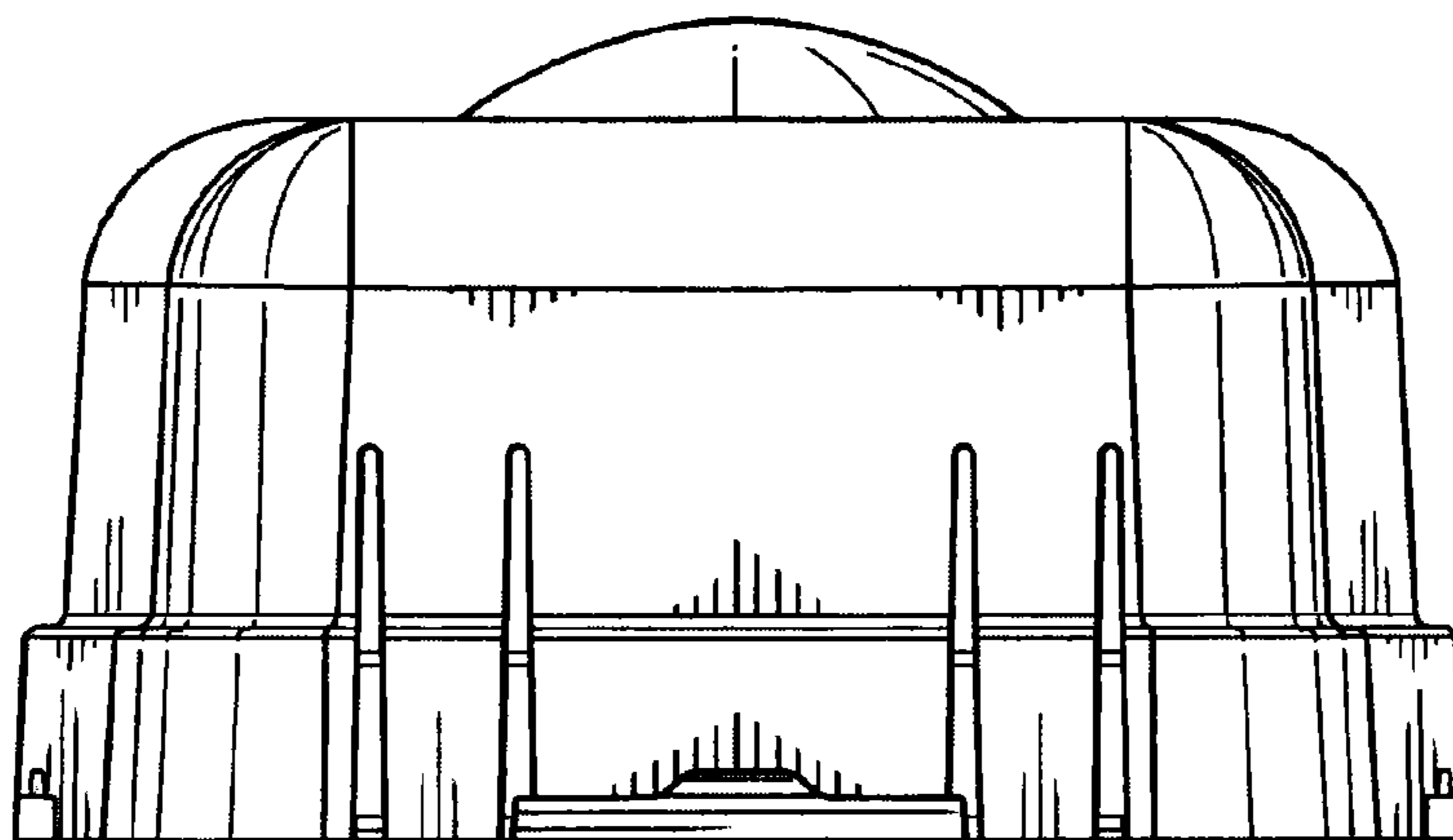


FIG. 7