



US00D706851S

(12) **United States Design Patent**
Sakai

(10) **Patent No.:** **US D706,851 S**
(45) **Date of Patent:** **** Jun. 10, 2014**

(54) **ELECTRONIC CAMERA**

(71) Applicant: **FUJIFILM Corporation**, Tokyo (JP)

(72) Inventor: **Masayuki Sakai**, Saitama (JP)

(73) Assignee: **FUJIFILM Corporation**, Tokyo (JP)

(**) Term: **14 Years**

(21) Appl. No.: **29/443,971**

(22) Filed: **Jan. 24, 2013**

(30) **Foreign Application Priority Data**

Aug. 29, 2012 (JP) 2012-020776

(51) **LOC (10) Cl.** **16-01**

(52) **U.S. Cl.**
USPC **D16/202**

(58) **Field of Classification Search**
USPC D16/200, 202, 204, 208, 218;
348/373-376; 358/909.1; 396/535-541
See application file for complete search history.

(56) **References Cited**

U.S. PATENT DOCUMENTS

D548,255 S *	8/2007	Naito	D16/202
D570,889 S *	6/2008	Nakajima	D16/202
D573,623 S *	7/2008	Nakajima	D16/218
D585,083 S *	1/2009	Nakajima	D16/202
D605,675 S *	12/2009	Sakaguchi et al.	D16/202
D631,078 S *	1/2011	Nohara	D16/202
D661,330 S *	6/2012	Yu et al.	D16/202

* cited by examiner

Primary Examiner — Adir Aronovich

(74) *Attorney, Agent, or Firm* — Sughrue Mion, PLLC

(57) **CLAIM**

The ornamental design for a electronic camera, as shown and described.

DESCRIPTION

FIG. 1 is a top, front and right side perspective view of an electronic camera showing my new design;
FIG. 2 is a top, rear and left side perspective view thereof;
FIG. 3 is a front elevational view thereof;
FIG. 4 is a rear elevational view thereof;
FIG. 5 is a top plan view thereof;
FIG. 6 is a bottom plan view thereof;
FIG. 7 is a left side elevational view thereof; and,
FIG. 8 is a right side elevational view thereof.

1 Claim, 8 Drawing Sheets

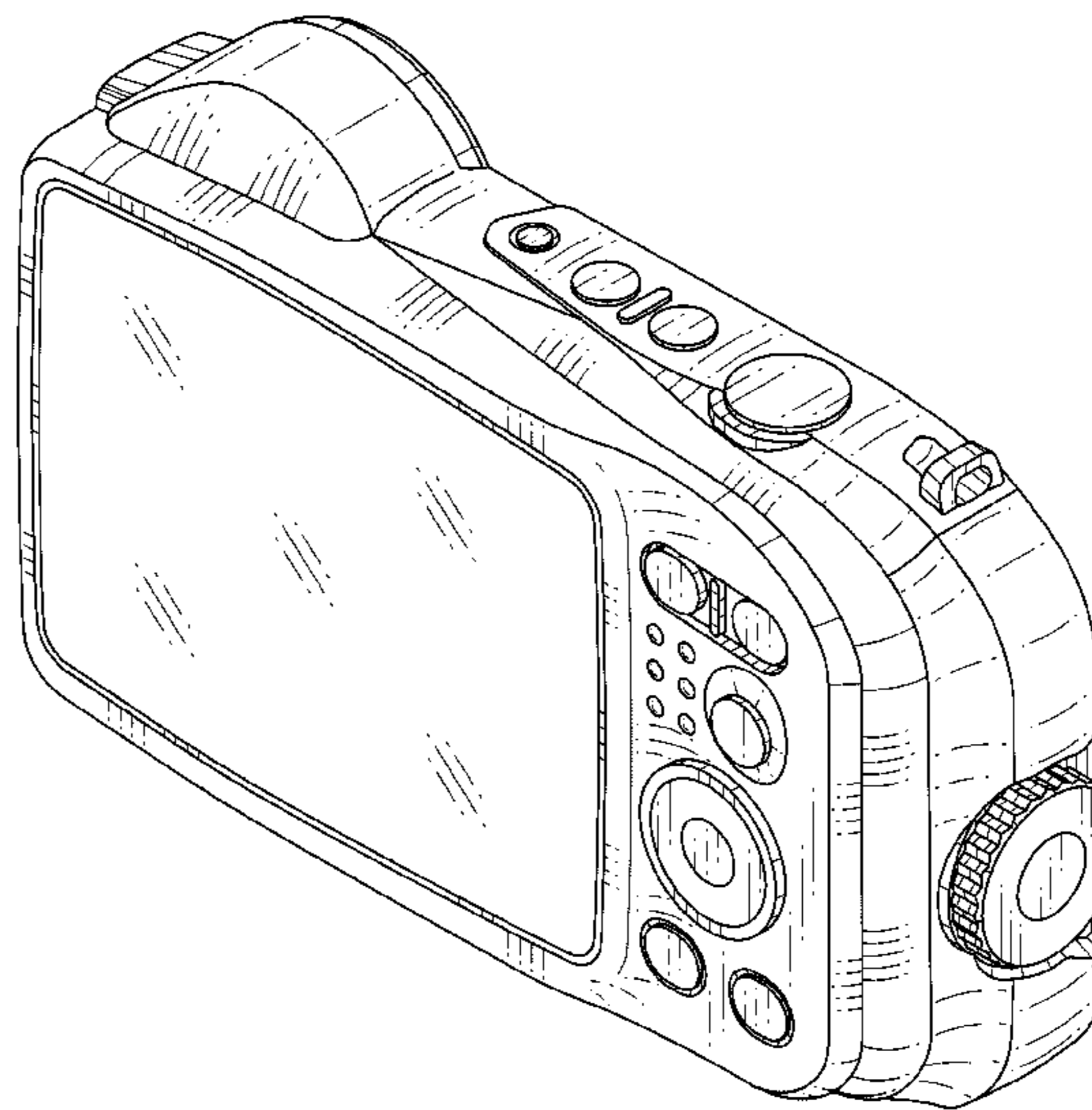
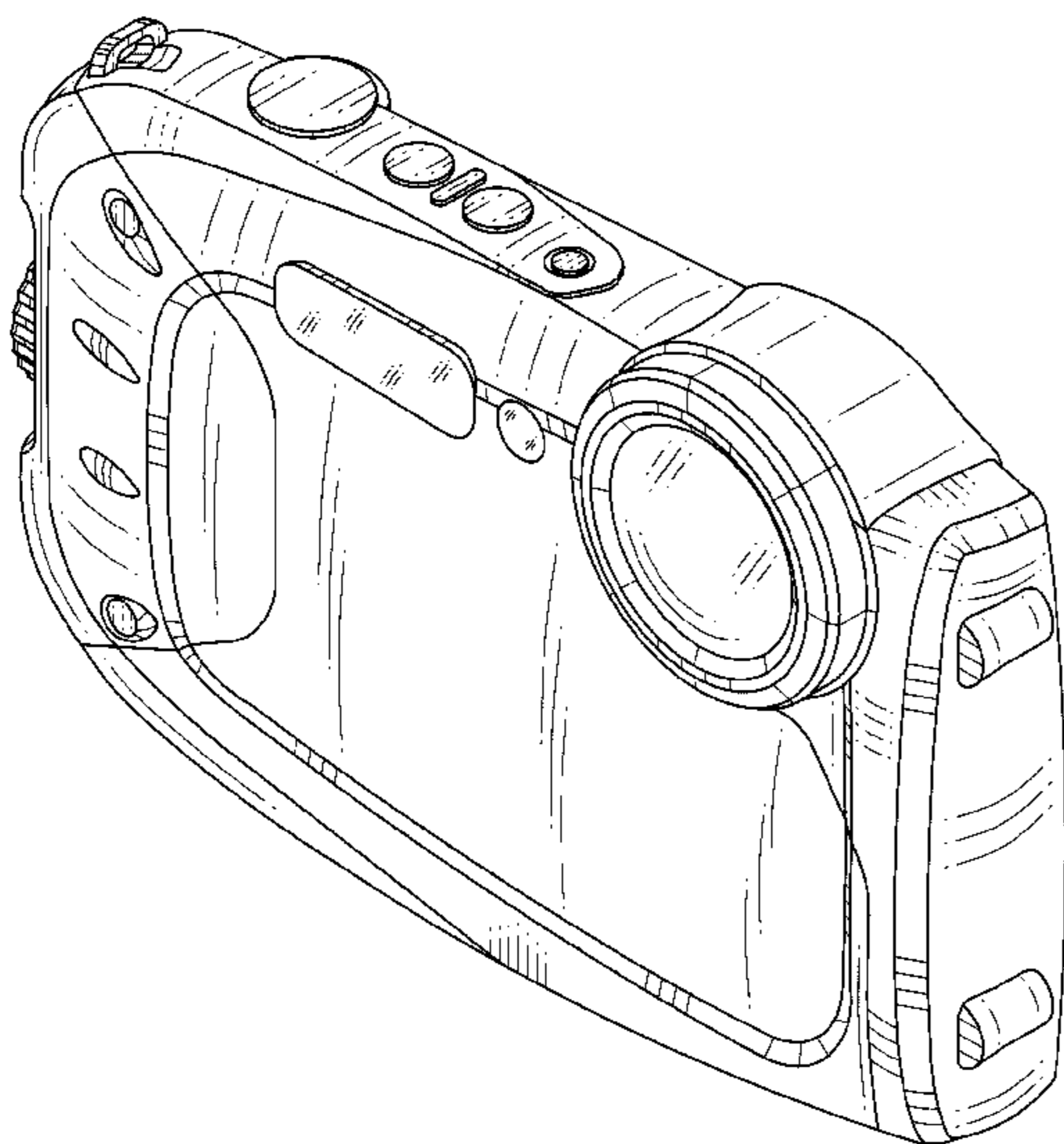


FIG. 1

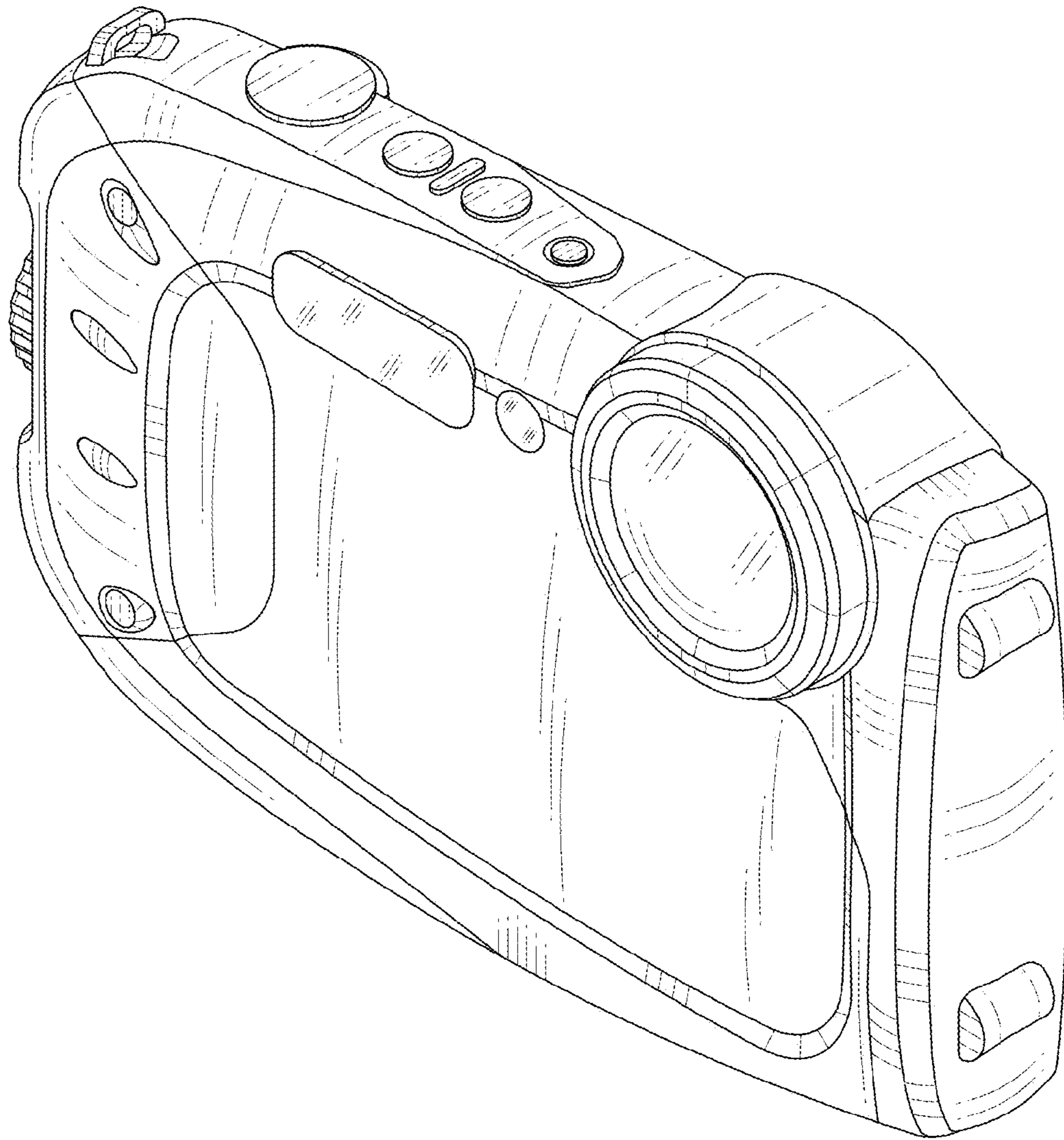


FIG. 2

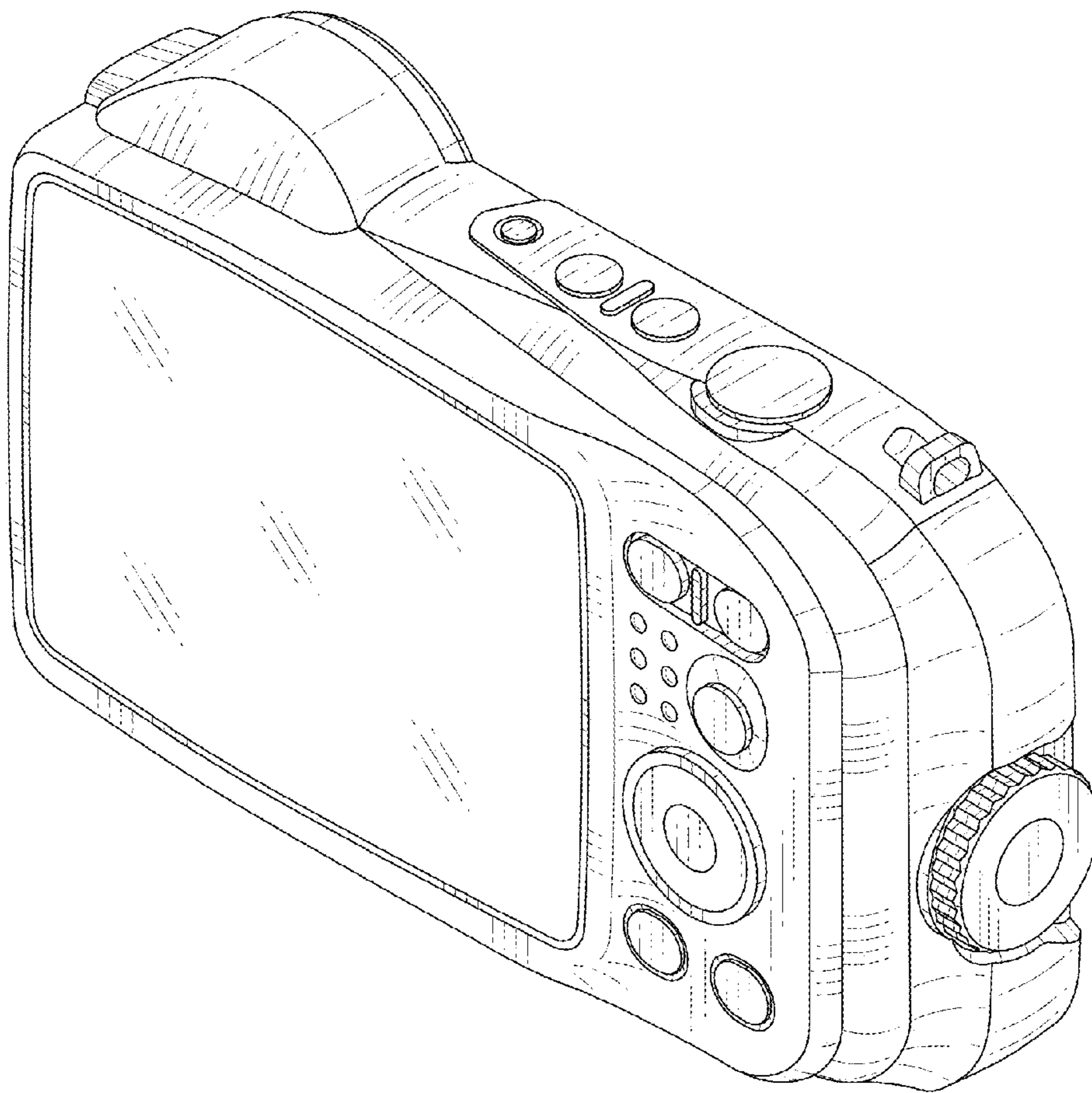


FIG.3

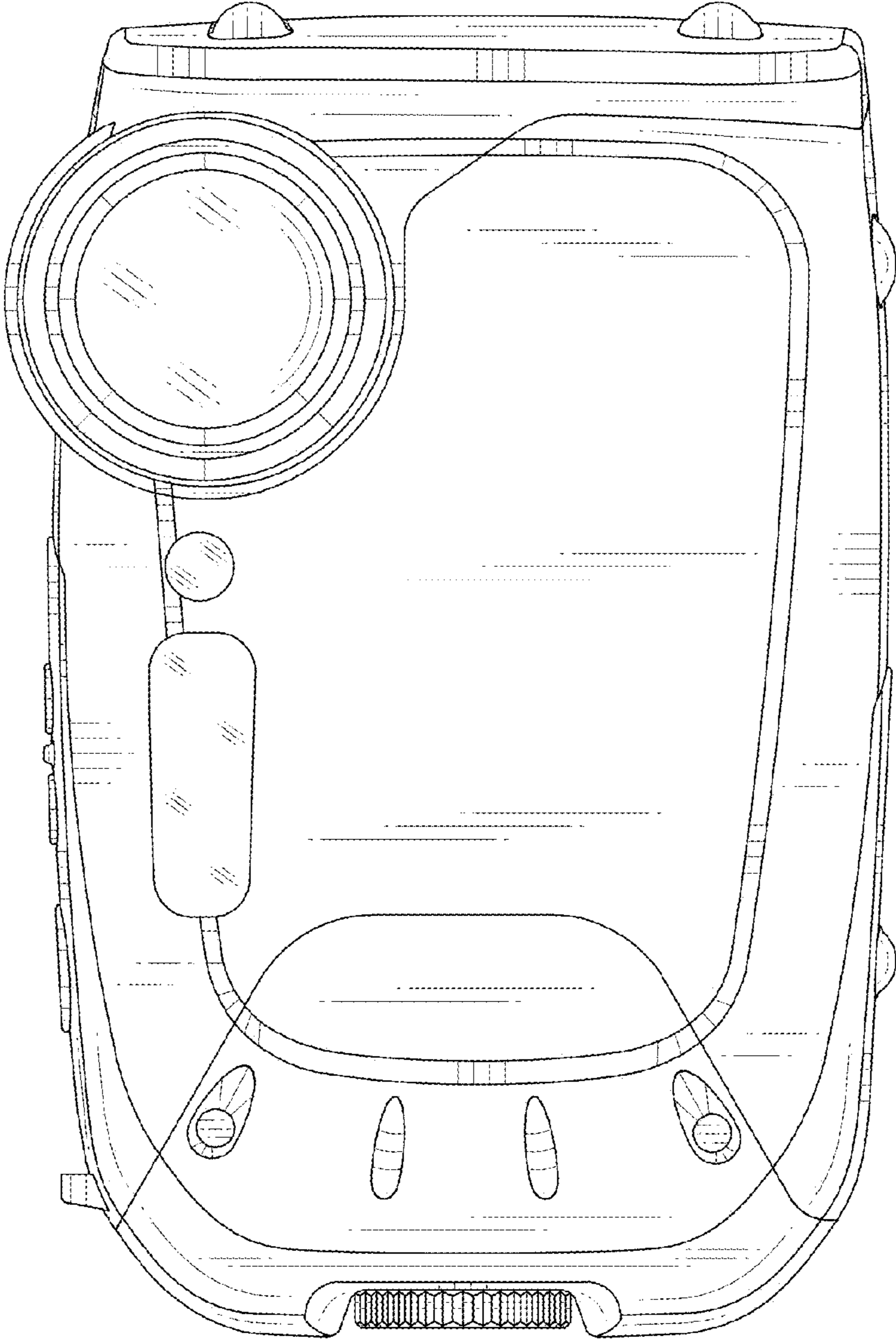


FIG.4

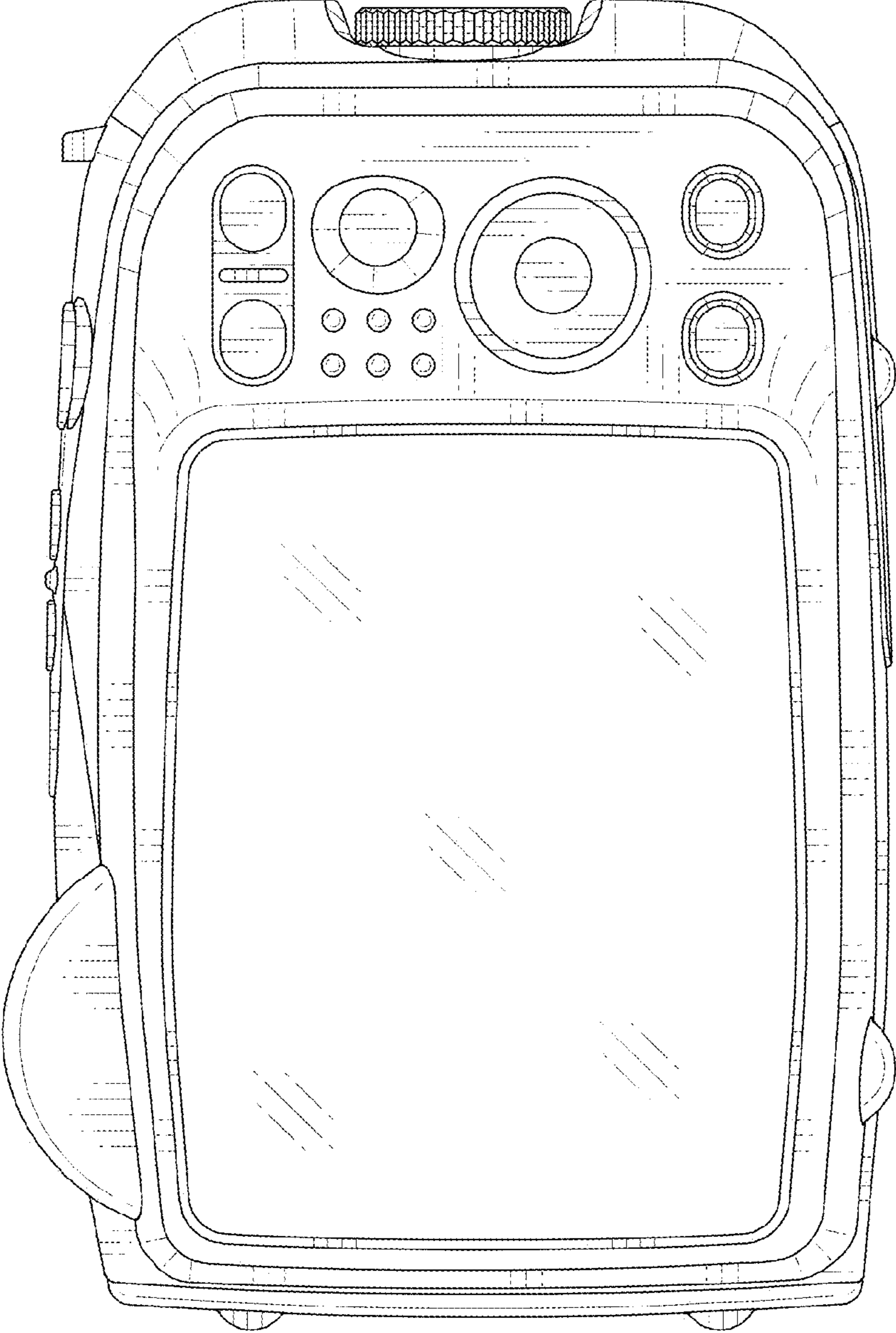


FIG. 5

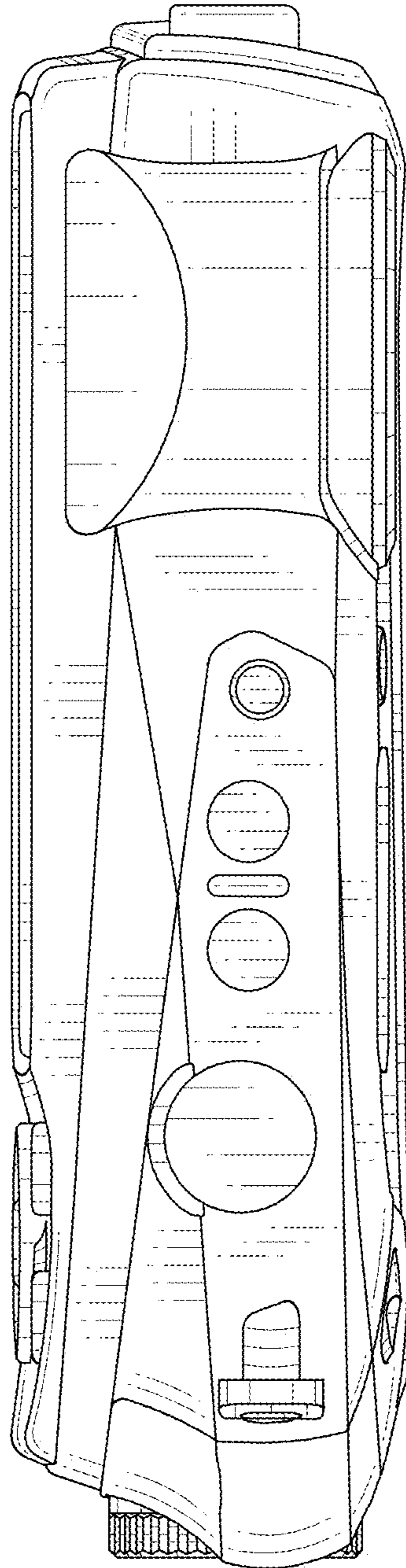


FIG. 6

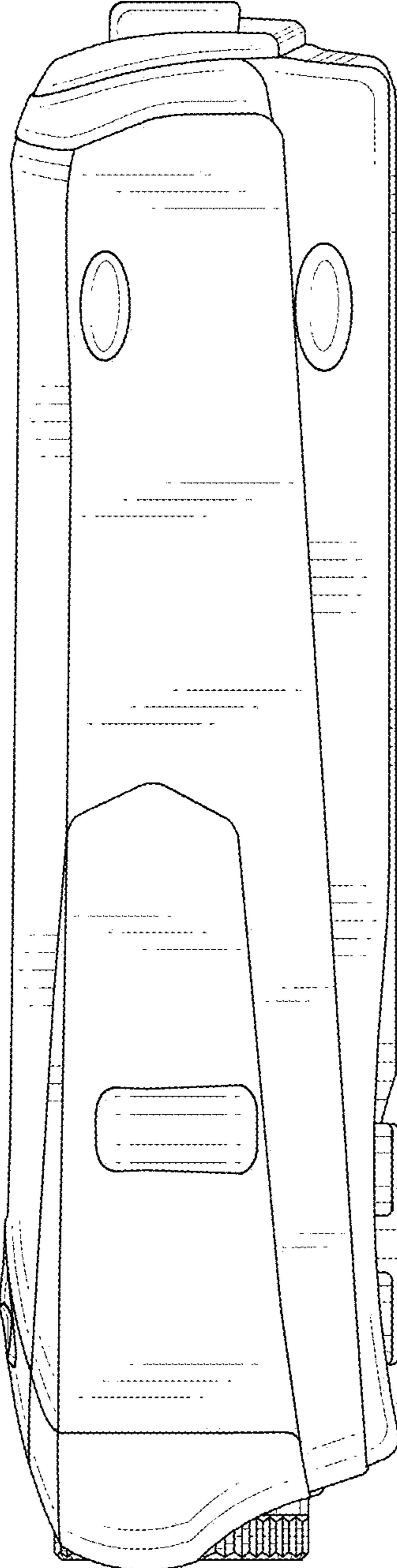


FIG. 7

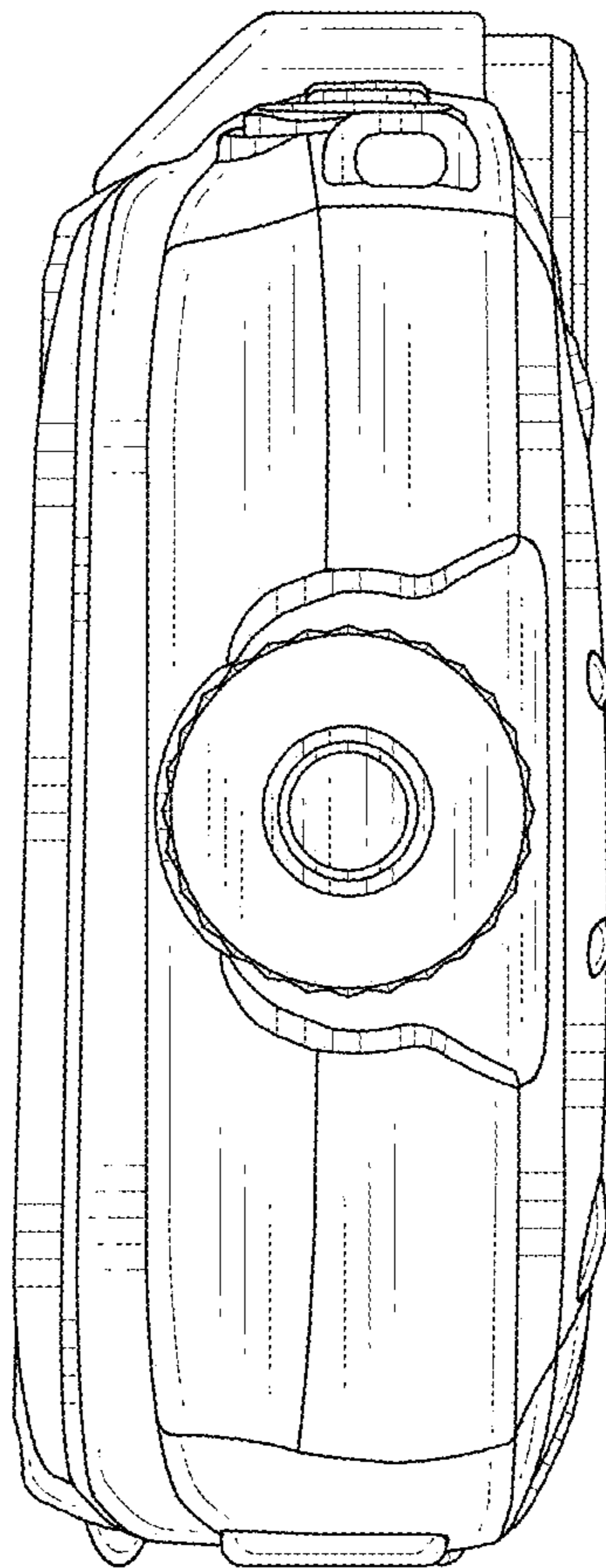


FIG. 8

