



US00D706849S

(12) **United States Design Patent**  
**Sakai**

(10) **Patent No.:** **US D706,849 S**  
(45) **Date of Patent:** **\*\* Jun. 10, 2014**

(54) **ELECTRONIC CAMERA**  
(75) Inventor: **Hiroyuki Sakai**, Minato-ku (JP)  
(73) Assignee: **FUJIFILM Corporation**, Tokyo (JP)  
(\*\*) Term: **14 Years**  
(21) Appl. No.: **29/420,999**  
(22) Filed: **May 15, 2012**

D609,730 S \* 2/2010 Nakamura ..... D16/202  
D611,977 S \* 3/2010 Kim et al. .... D16/202  
7,729,610 B2 \* 6/2010 Tomatsu ..... 396/382  
D620,036 S \* 7/2010 Obata ..... D16/202  
D671,583 S \* 11/2012 Sakai ..... D16/202  
D672,801 S \* 12/2012 Nakamura et al. .... D16/202  
D672,802 S \* 12/2012 Nojima et al. .... D16/219

**FOREIGN PATENT DOCUMENTS**

JP D1400756 S 11/2010

**OTHER PUBLICATIONS**

Notification of Reasons for Refusal, dated Jun. 27, 2012, issued in corresponding JP Application No. 2011-029044, 3 pages in English and Japanese.

\* cited by examiner

*Primary Examiner* — Phillip S Hyder  
(74) *Attorney, Agent, or Firm* — Sughrue Mion, PLLC

(57) **CLAIM**

The ornamental design for an electronic camera, as shown and described.

**DESCRIPTION**

FIG. 1 is a top, front and side perspective view of an electronic camera showing my new design;  
FIG. 2 is a front elevational view thereof;  
FIG. 3 is a rear elevational view thereof;  
FIG. 4 is a top plan view thereof;  
FIG. 5 is a bottom plan view thereof;  
FIG. 6 is a left side elevational view thereof; and,  
FIG. 7 is a right side elevational view thereof.  
The broken lines illustrate portions of the electronic camera that form no part of the claimed design.

**1 Claim, 7 Drawing Sheets**

(30) **Foreign Application Priority Data**

Dec. 14, 2011 (JP) ..... 2011-029044

(51) **LOC (10) CL.** ..... **16-01**

(52) **U.S. CL.**  
USPC ..... **D16/202**

(58) **Field of Classification Search**  
USPC ..... D16/200, 202, 204, 206, 216, 217, 218;  
348/373, 374, 375, 376; 358/909.1;  
396/176, 177, 178, 354, 535  
See application file for complete search history.

(56) **References Cited**

**U.S. PATENT DOCUMENTS**

D493,809 S \* 8/2004 Ogura ..... D16/202  
D537,857 S \* 3/2007 Nakamura ..... D16/202  
D547,783 S \* 7/2007 Sakai ..... D16/202  
D560,239 S \* 1/2008 Kim et al. .... D16/202  
D563,445 S \* 3/2008 Sakai ..... D16/202  
D568,363 S \* 5/2008 Funakoshi ..... D16/217  
D570,891 S \* 6/2008 Miyahara et al. .... D16/202  
D581,440 S \* 11/2008 Nakamura ..... D16/202  
D594,892 S \* 6/2009 Kamiya et al. .... D16/202  
D595,755 S \* 7/2009 Funakoshi ..... D16/202  
D605,679 S \* 12/2009 Hayashi ..... D16/206

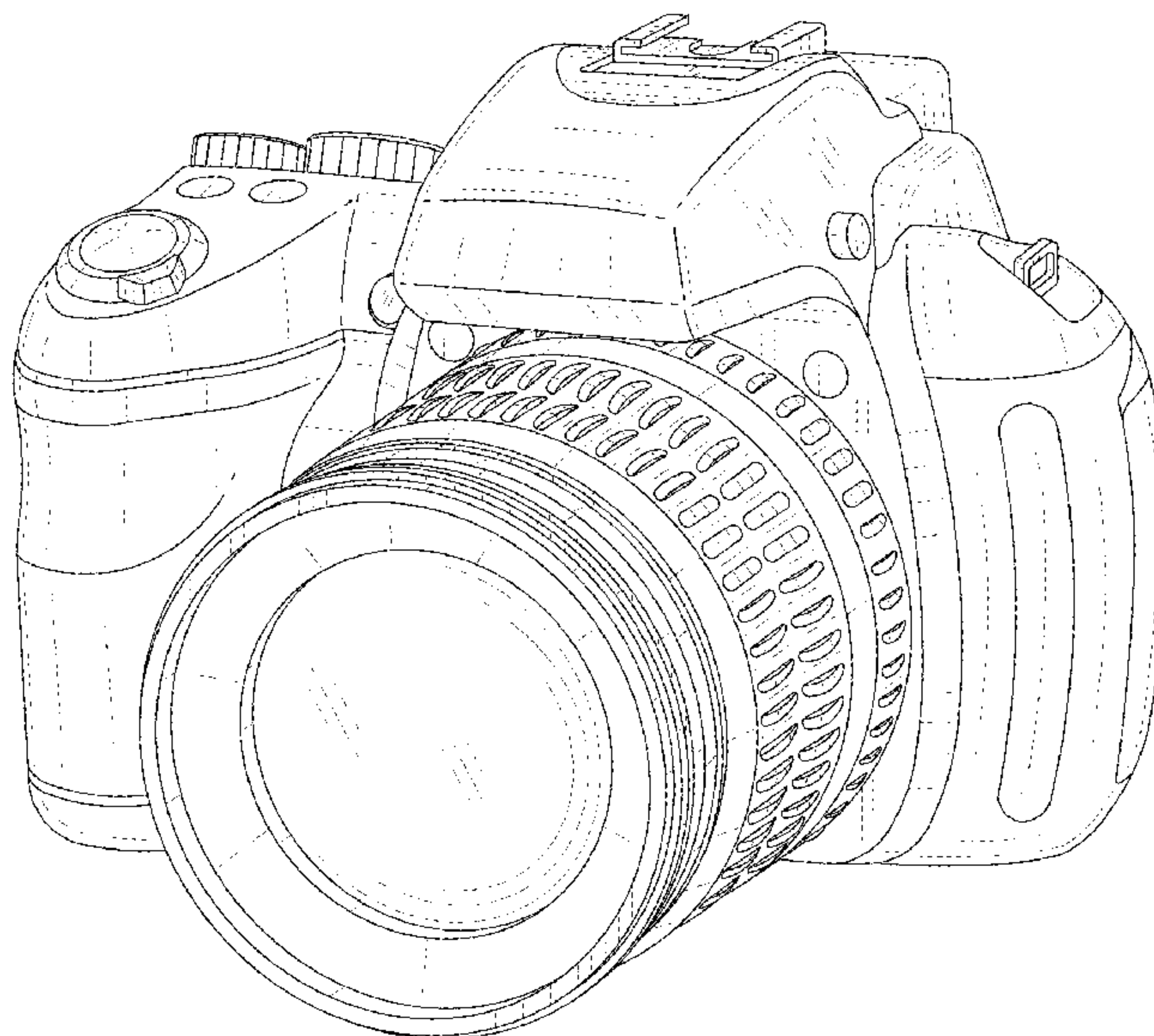


FIG. 1

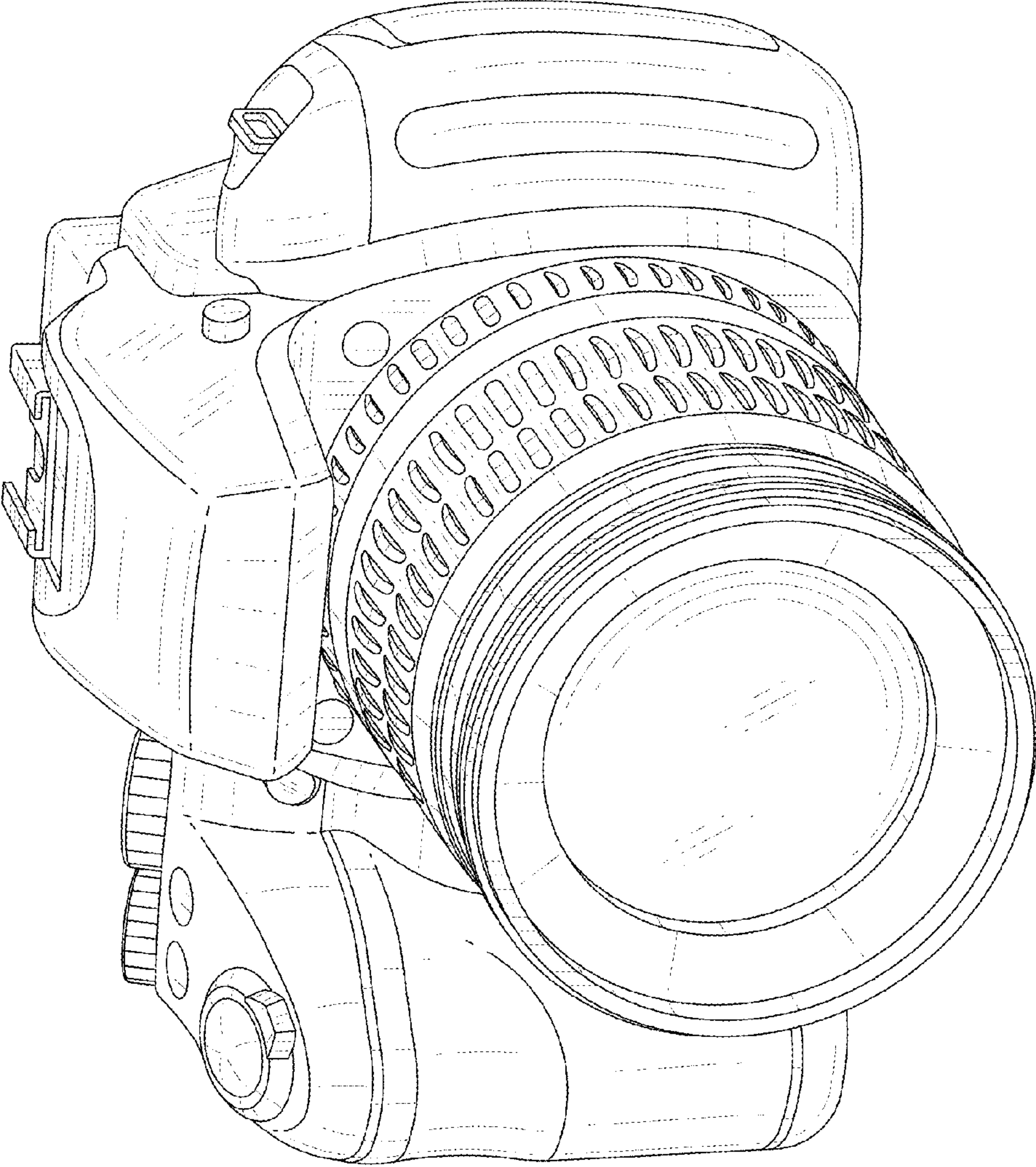


FIG. 2

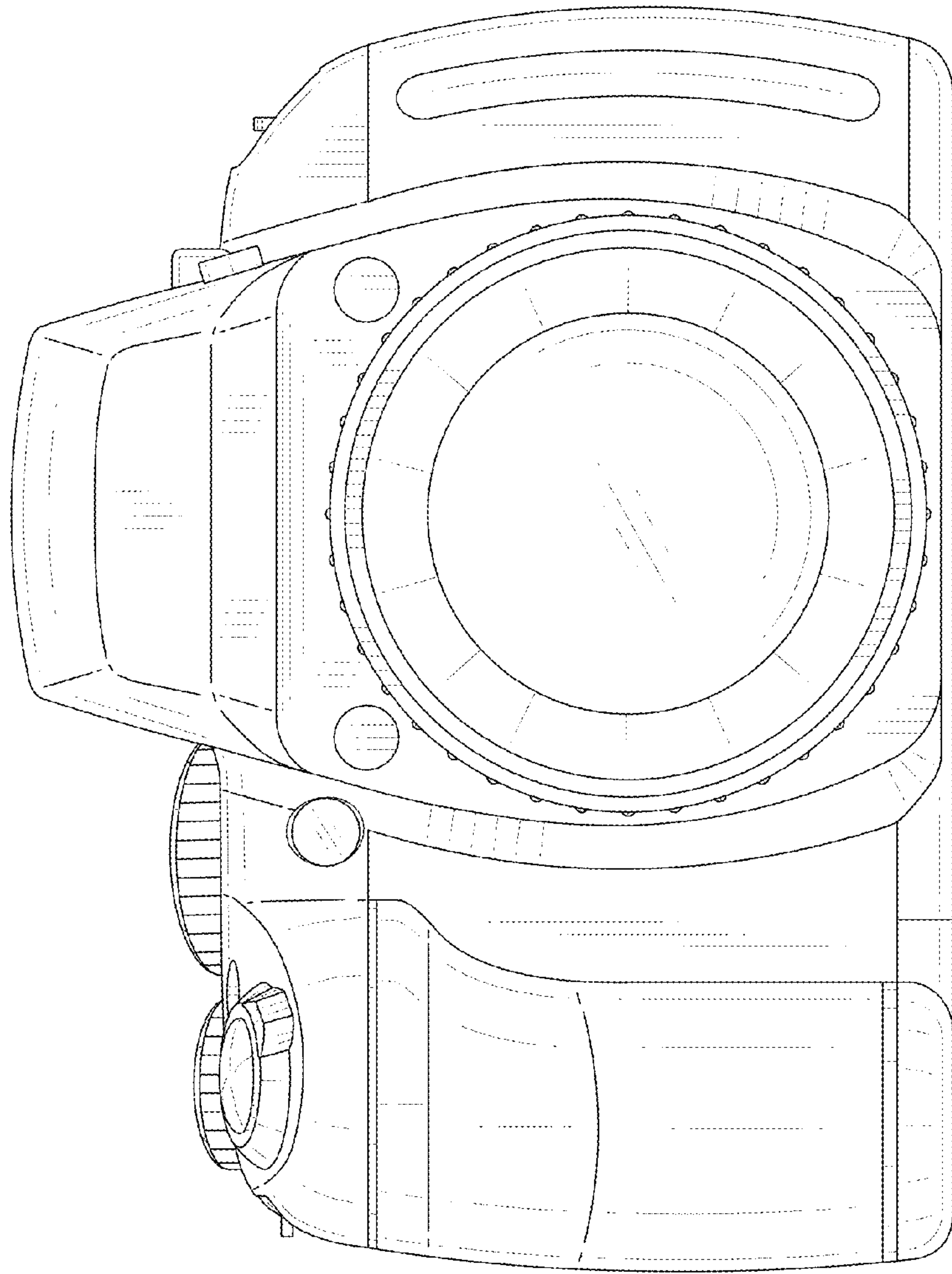




FIG. 3

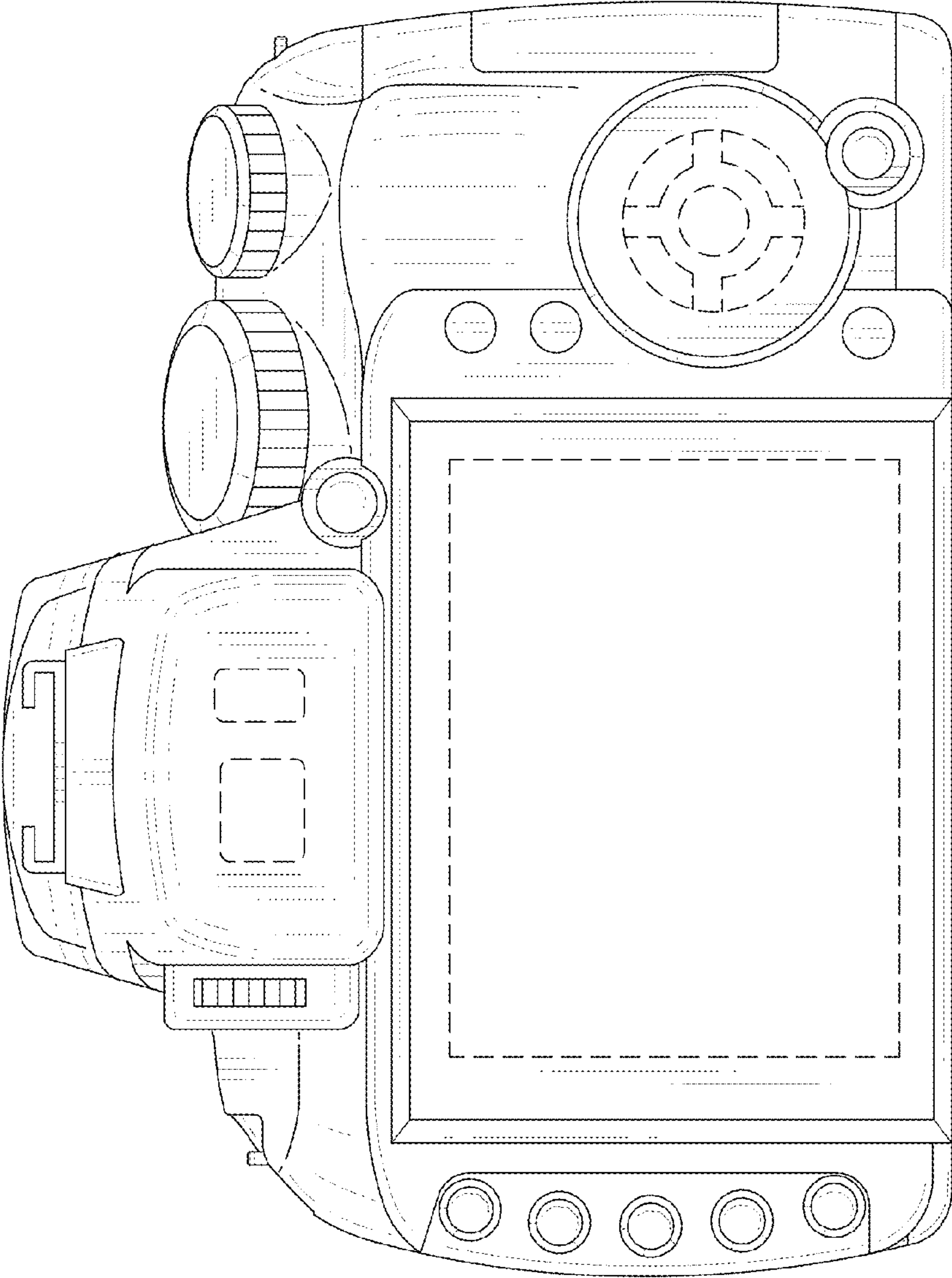


FIG. 4

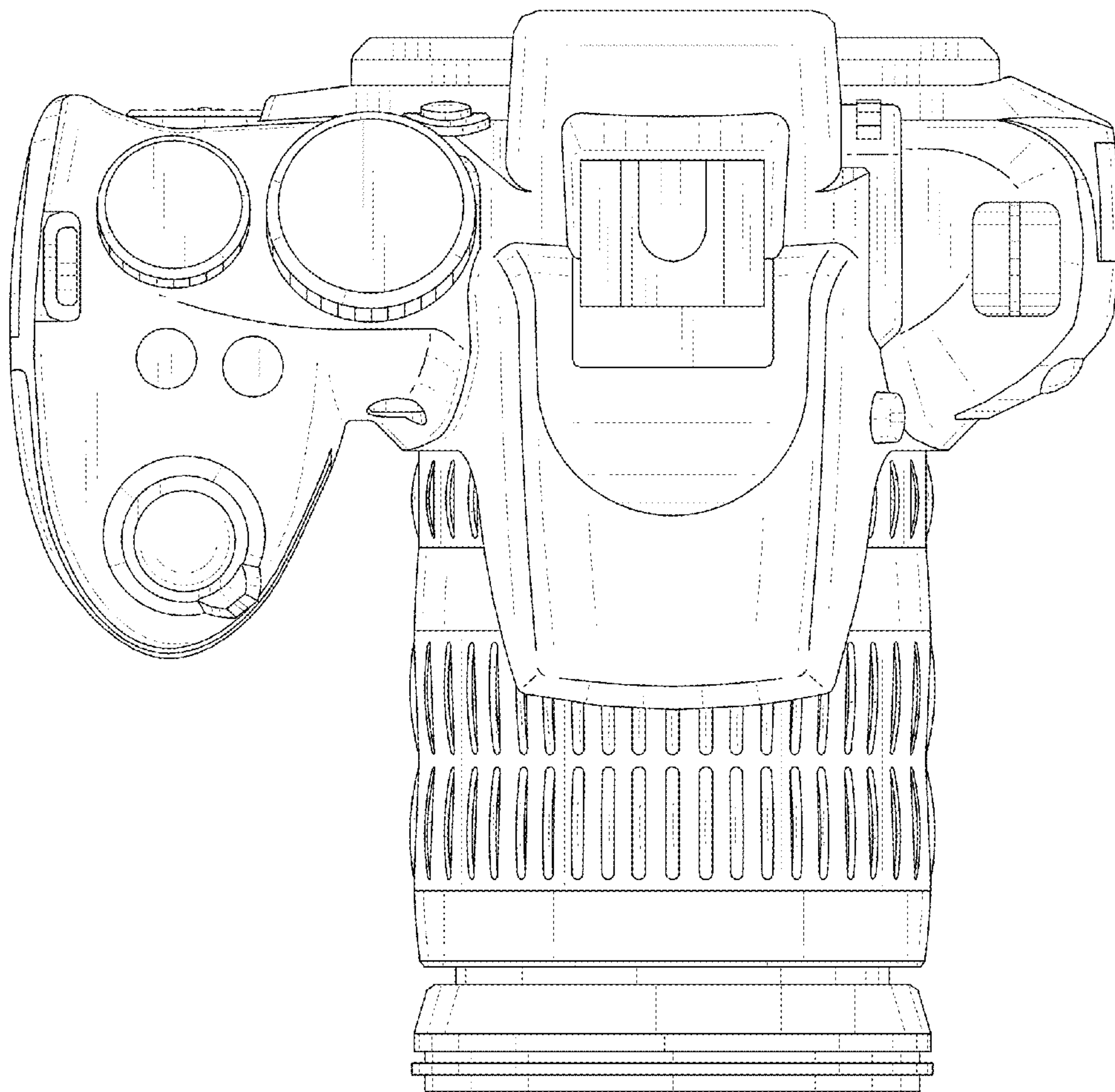


FIG. 5

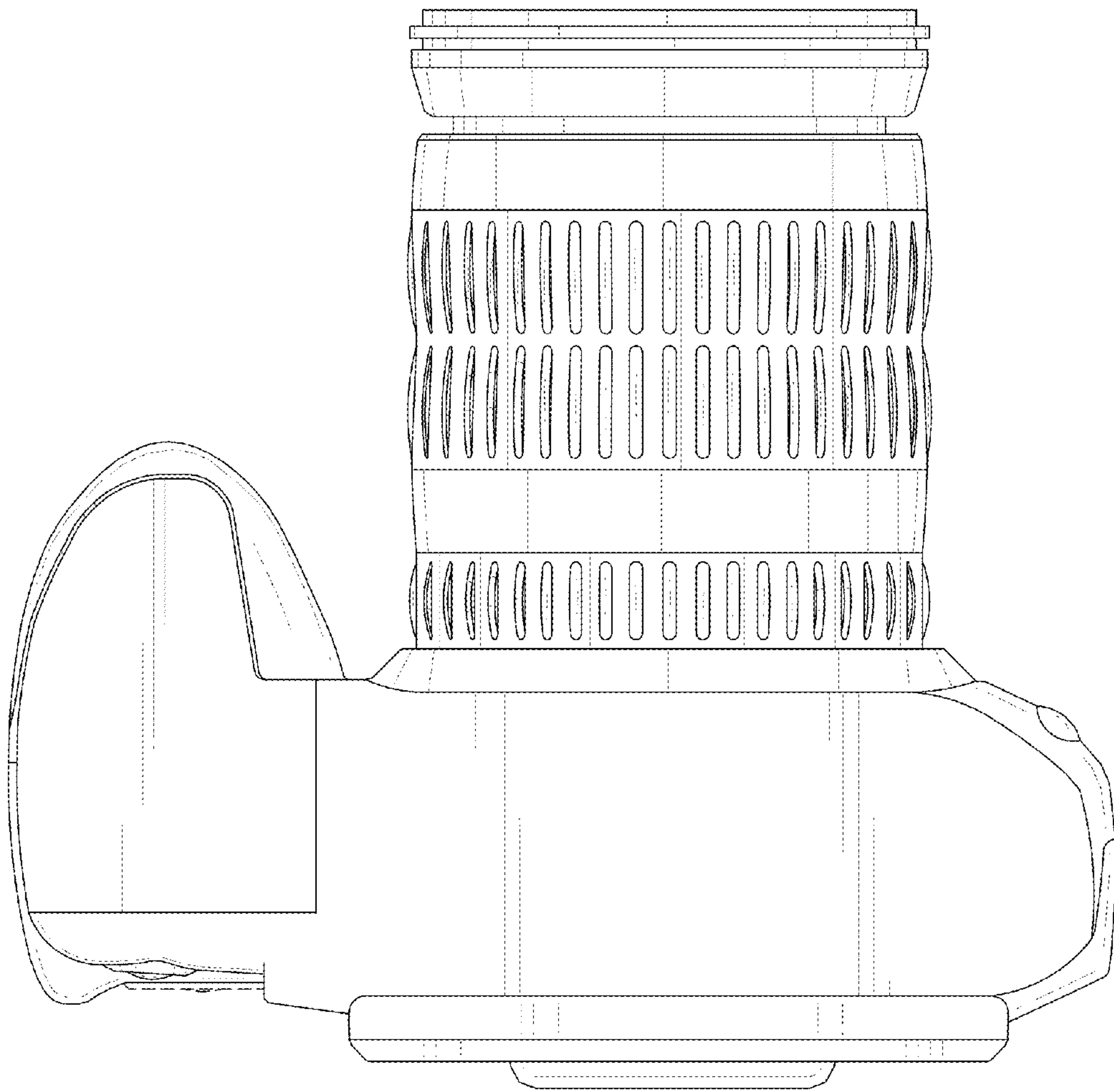


FIG. 6

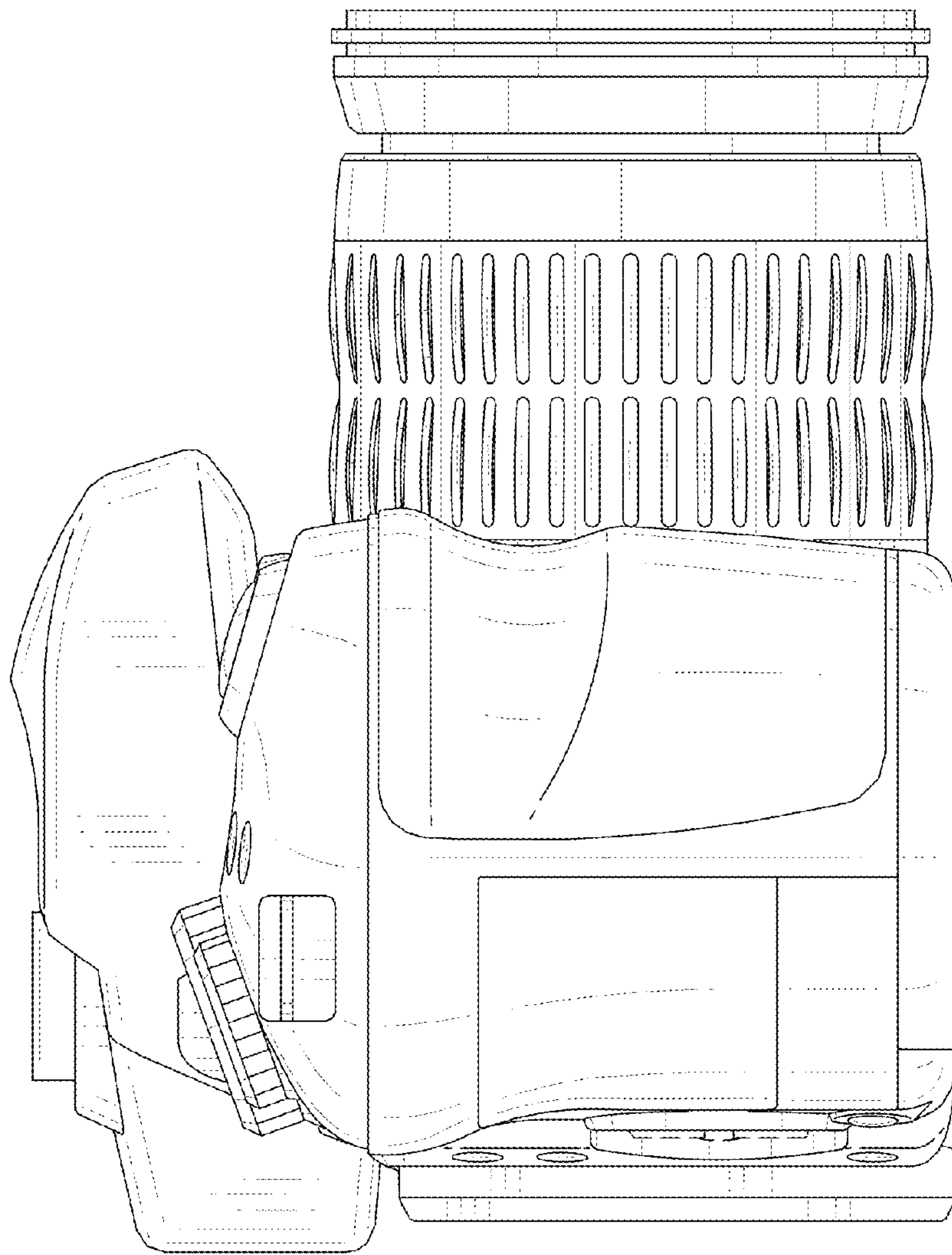


FIG. 7

