



US00D706848S

(12) **United States Design Patent**
Kobayashi et al.

(10) **Patent No.:** **US D706,848 S**
(45) **Date of Patent:** **** Jun. 10, 2014**

(54) **PAIR OF BINOCULARS**

(71) Applicant: **Nikon Vision Co., Ltd.**, Tokyo (JP)

(72) Inventors: **Tatsuya Kobayashi**, Tokyo (JP);
Hiroyuki Asano, Tokyo (JP)

(73) Assignee: **Nikon Vision Co., Ltd.**, Tokyo (JP)

(**) Term: **14 Years**

(21) Appl. No.: **29/443,866**

(22) Filed: **Jan. 23, 2013**

(51) **LOC (10) Cl.** **16-06**

(52) **U.S. Cl.**
CPC **G02B 23/00** (2013.01)
USPC **D16/133**; D16/136

(58) **Field of Classification Search**
CPC G02B 23/00
USPC D16/133, 130, 136; 359/411–415,
359/416–418, 420, 804, 809, 816, 835,
359/831; D21/483
See application file for complete search history.

(56) **References Cited**

U.S. PATENT DOCUMENTS

D195,146 S *	4/1963	Jensen	D16/133
3,484,149 A *	12/1969	Becker et al.	359/414
D223,298 S *	4/1972	Senda et al.	D16/133
4,329,013 A *	5/1982	Hengst	359/418
D308,066 S *	5/1990	Huckenbeck	D16/133
D412,177 S *	7/1999	Fujii	D16/133
D511,538 S *	11/2005	Hayamizu	D16/133
D523,048 S *	6/2006	Hayashi	D16/133
D602,059 S *	10/2009	Inaba	D16/133

D646,311 S *	10/2011	Hoelbl	D16/133
D662,118 S *	6/2012	Soejima	D16/133
D662,119 S *	6/2012	Hoshi et al.	D16/133
D681,709 S *	5/2013	Radau et al.	D16/133
D687,081 S *	7/2013	Radau et al.	D16/133

* cited by examiner

Primary Examiner — Paula Greene

(74) *Attorney, Agent, or Firm* — Wolf, Greenfield & Sacks, P.C.; Randy J. Pritzker

(57) **CLAIM**

The ornamental design for a pair of binoculars, as shown and described.

DESCRIPTION

FIG. 1 is a front, top and right side perspective view of a first embodiment of a pair of binoculars showing our new design; FIG. 2 is a front view thereof; FIG. 3 is a rear view thereof; FIG. 4 is a top plan view thereof; FIG. 5 is a bottom plan view thereof; FIG. 6 is a front, top and right side perspective view of a second embodiment of a pair of binoculars showing our new design; FIG. 7 is a front view thereof; FIG. 8 is a rear view thereof; FIG. 9 is a top plan view thereof; and, FIG. 10 is a bottom plan view thereof. The features shown in broken lines in the drawings depict environmental subject matter only and form no part of the claimed design. The dashed-dotted lines denote the boundary of the claim and form no part of the claimed design.

1 Claim, 8 Drawing Sheets

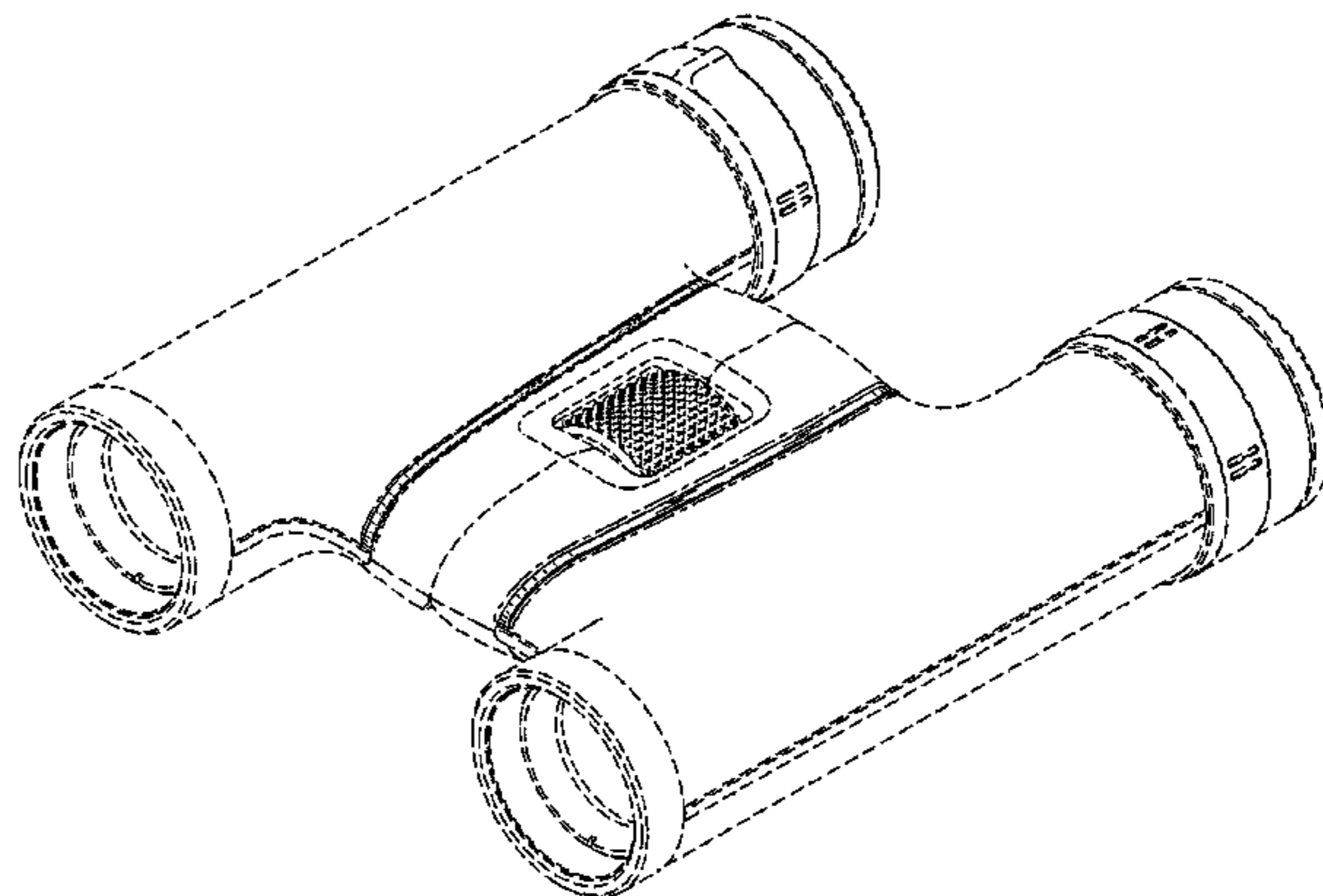
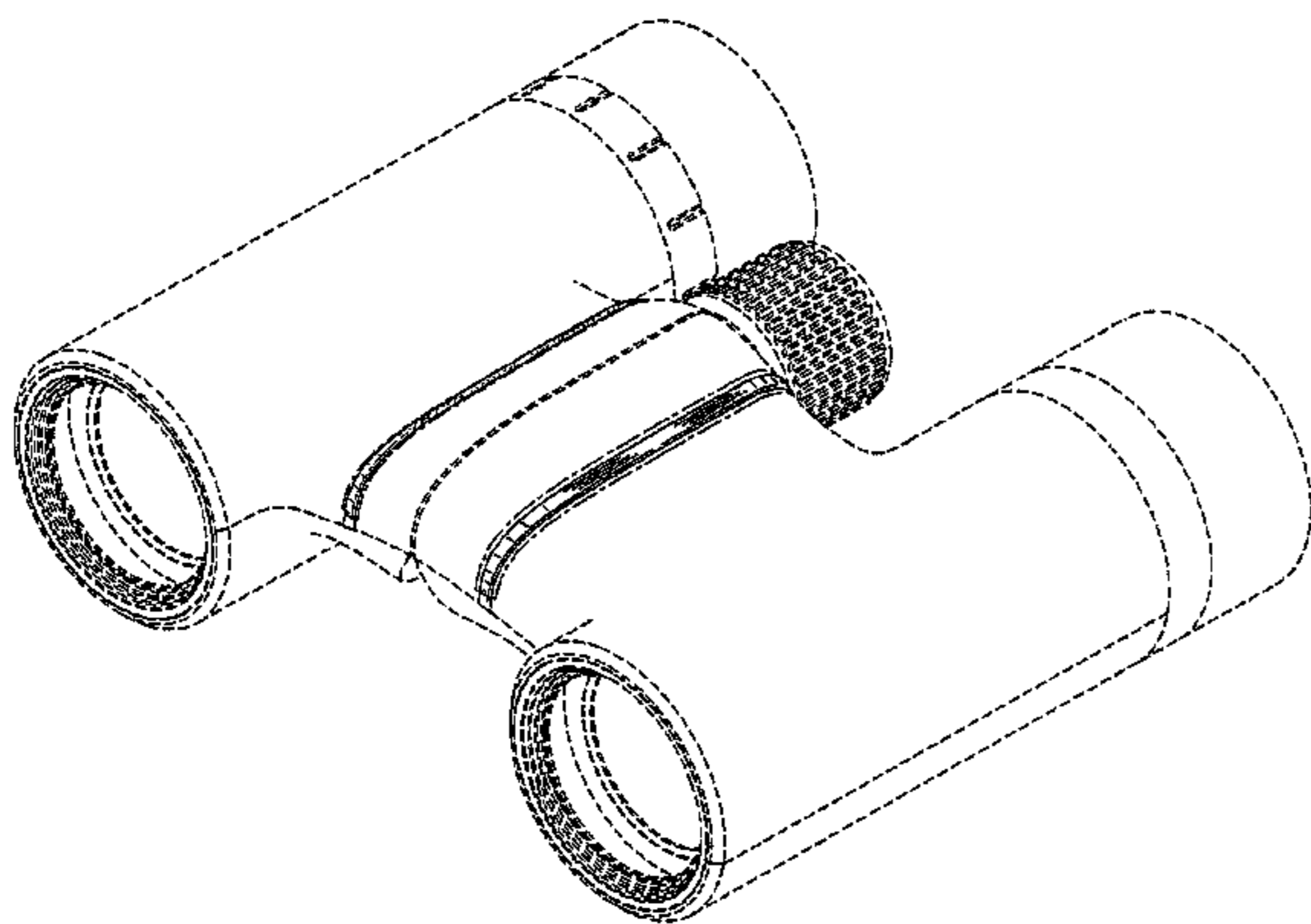


FIG. 1

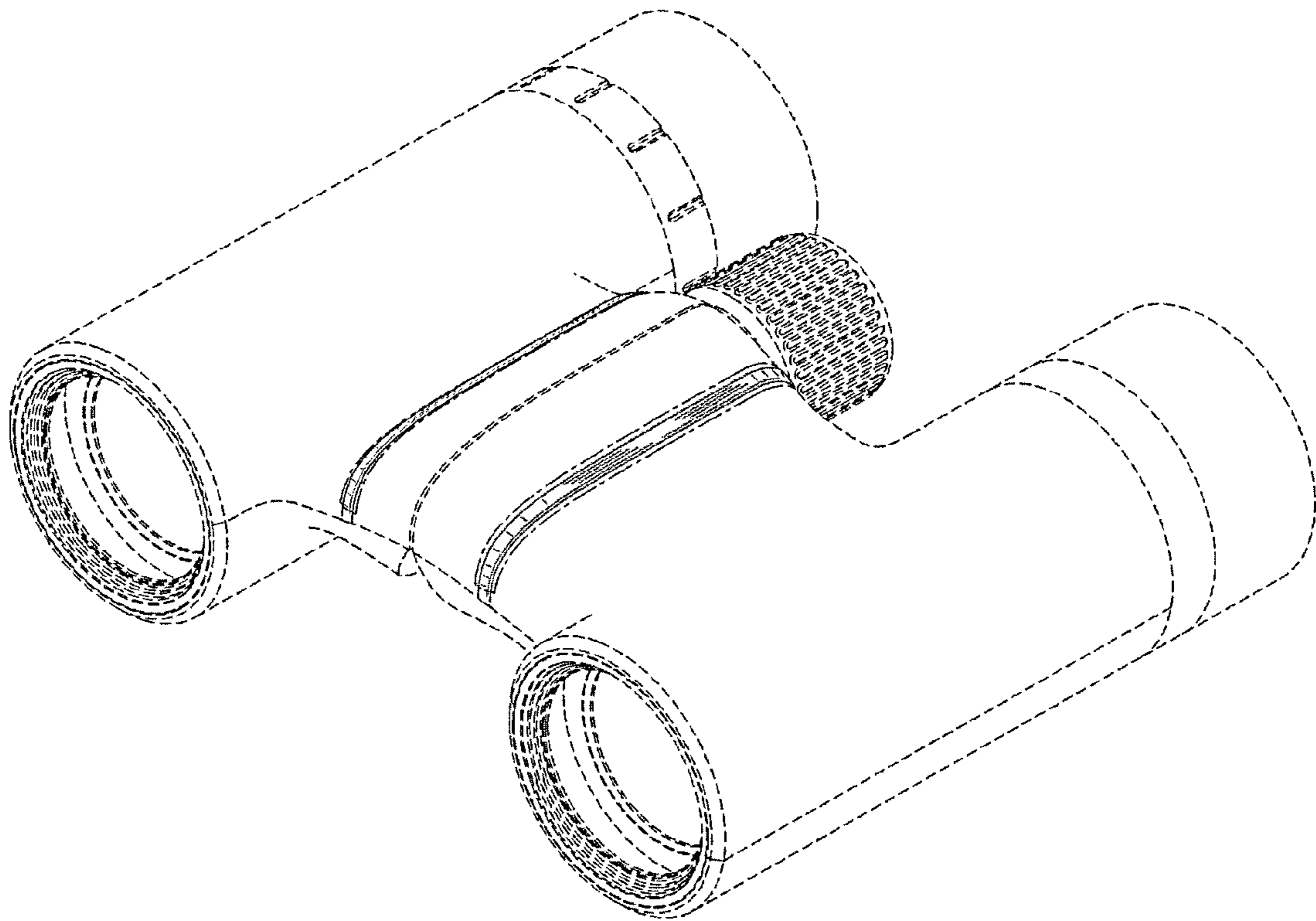


FIG. 2

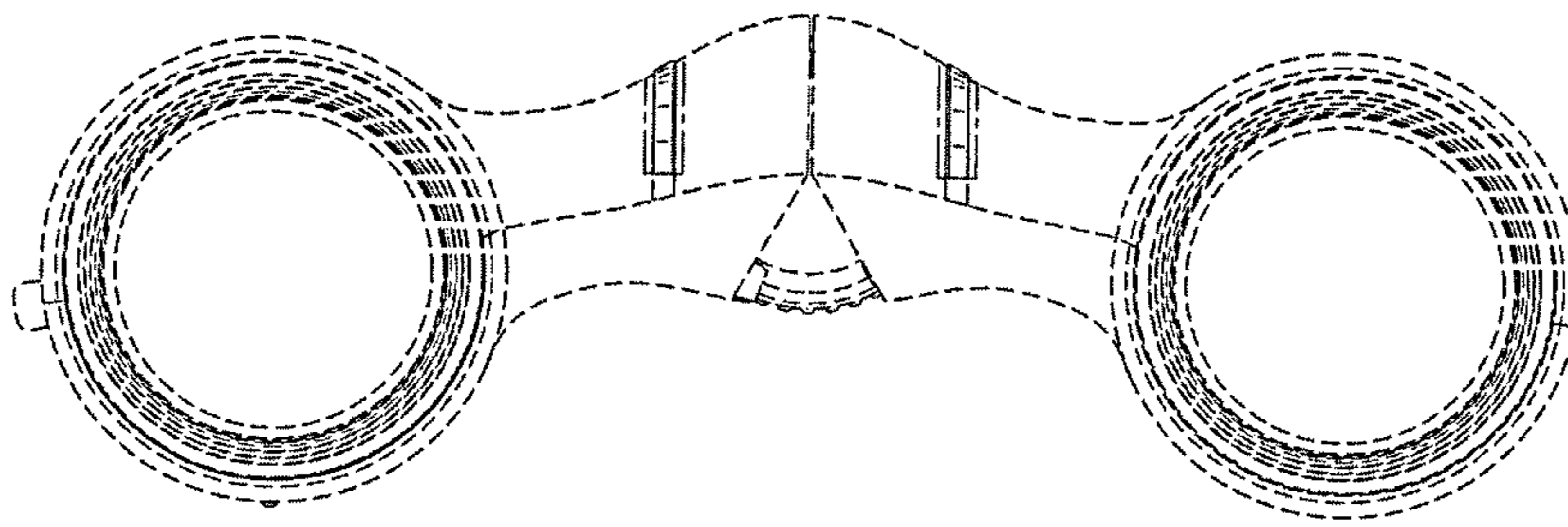


FIG. 3

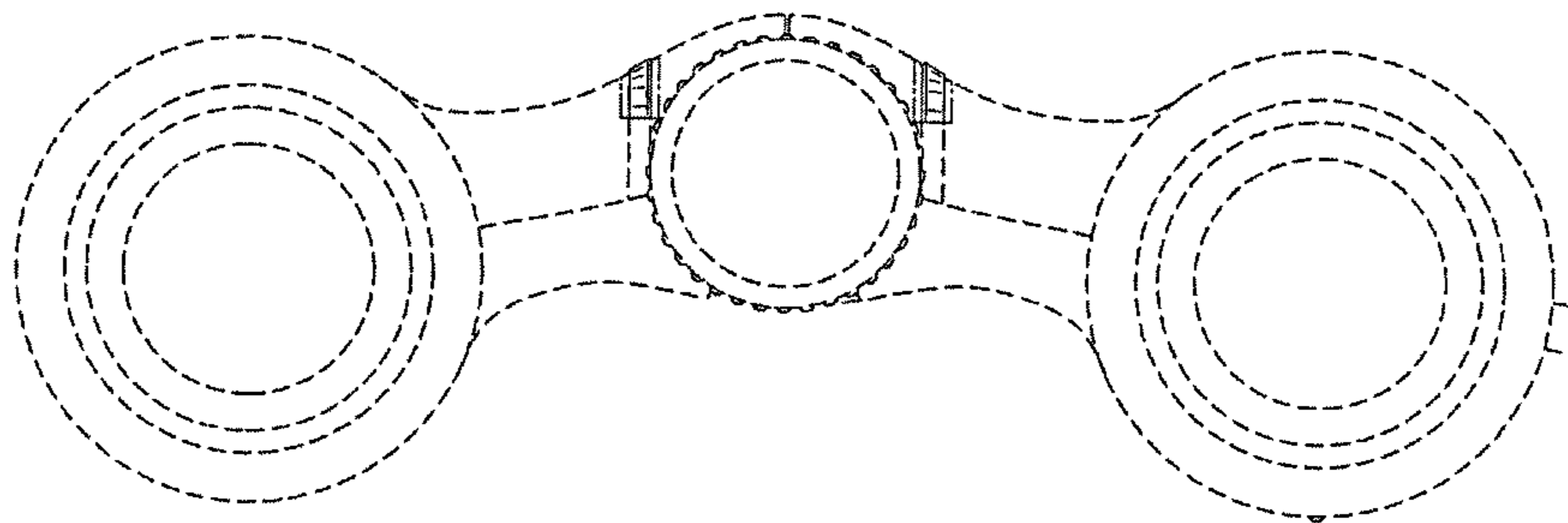


FIG. 4

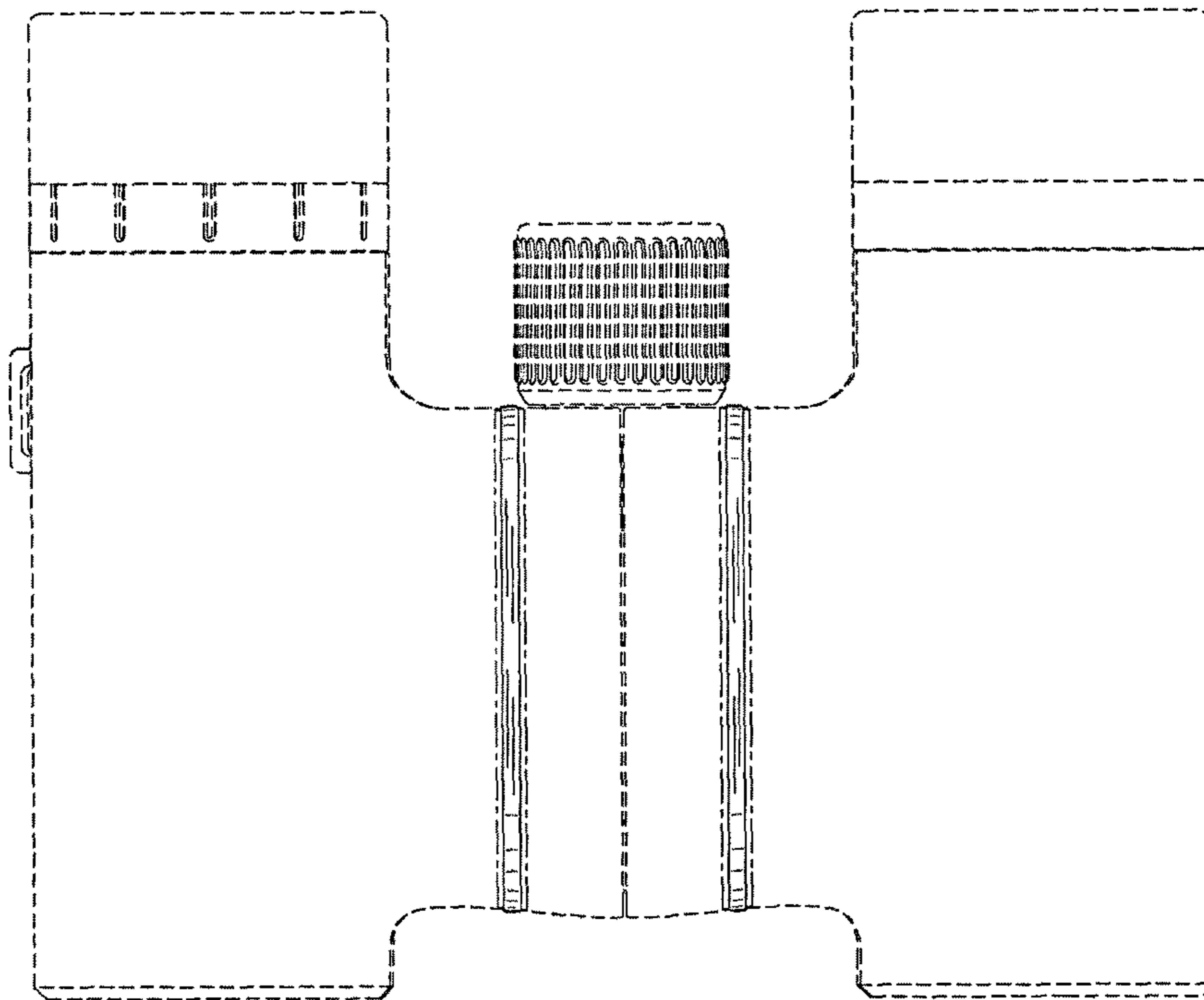


FIG. 5

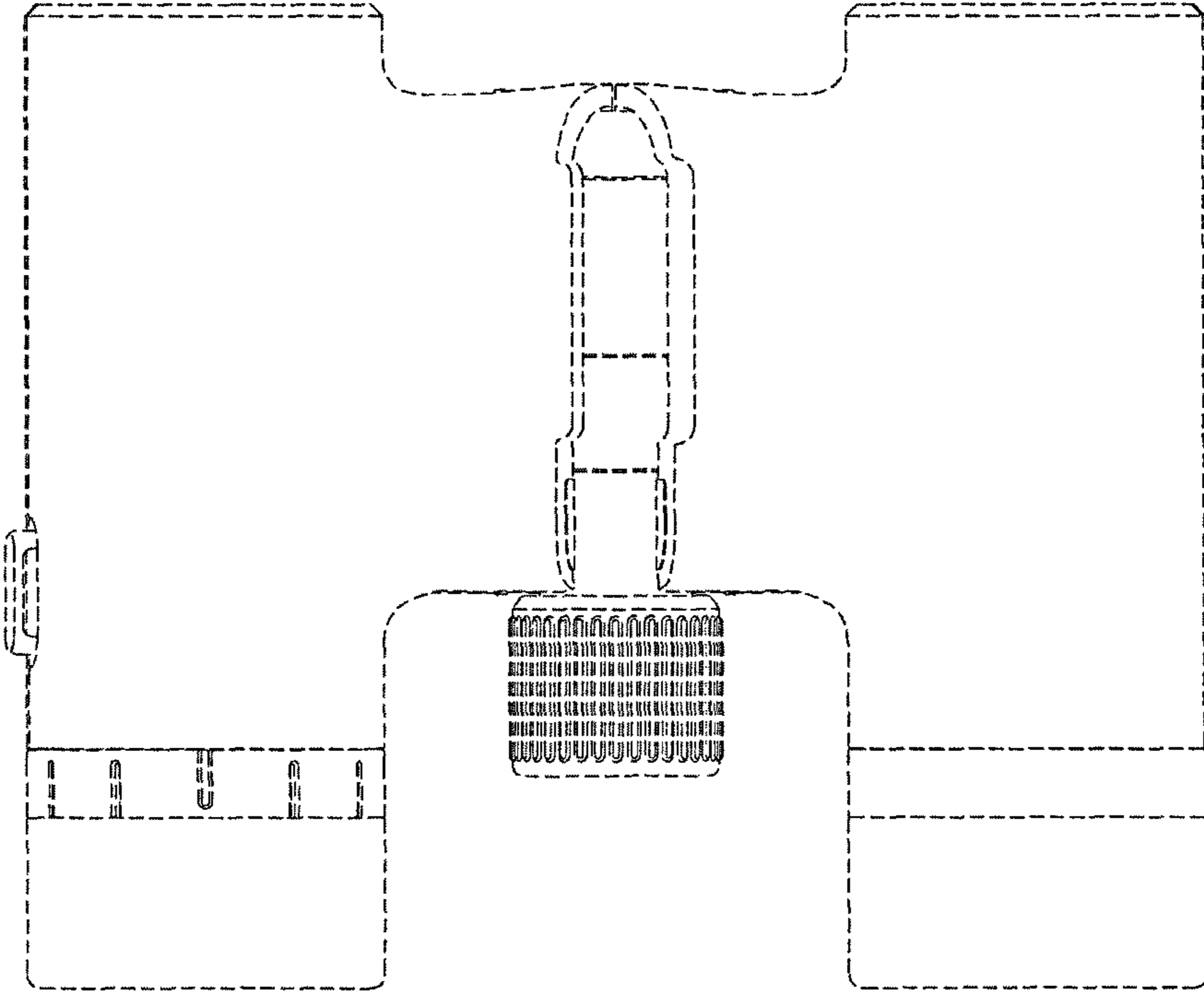


FIG. 6

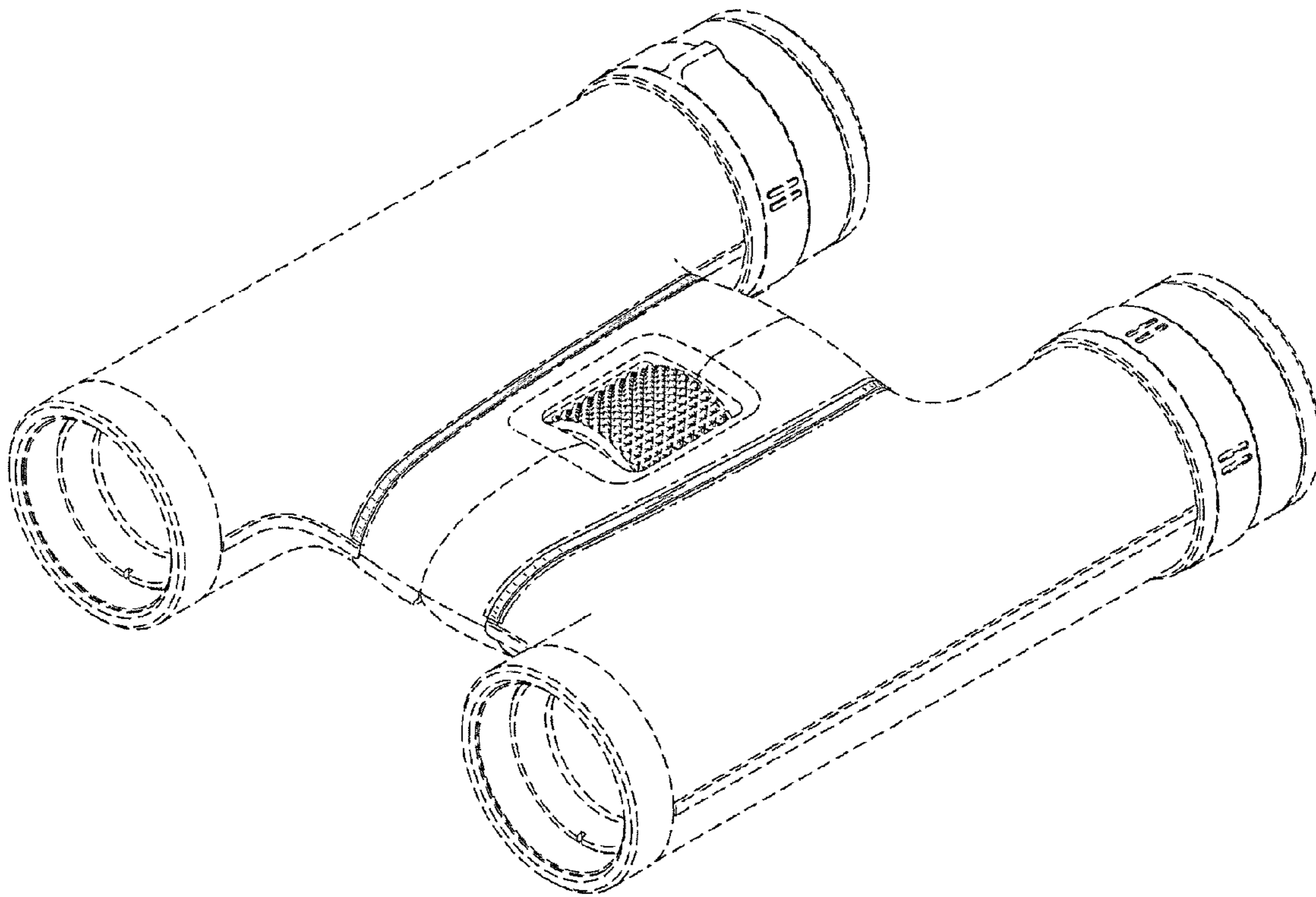


FIG. 7

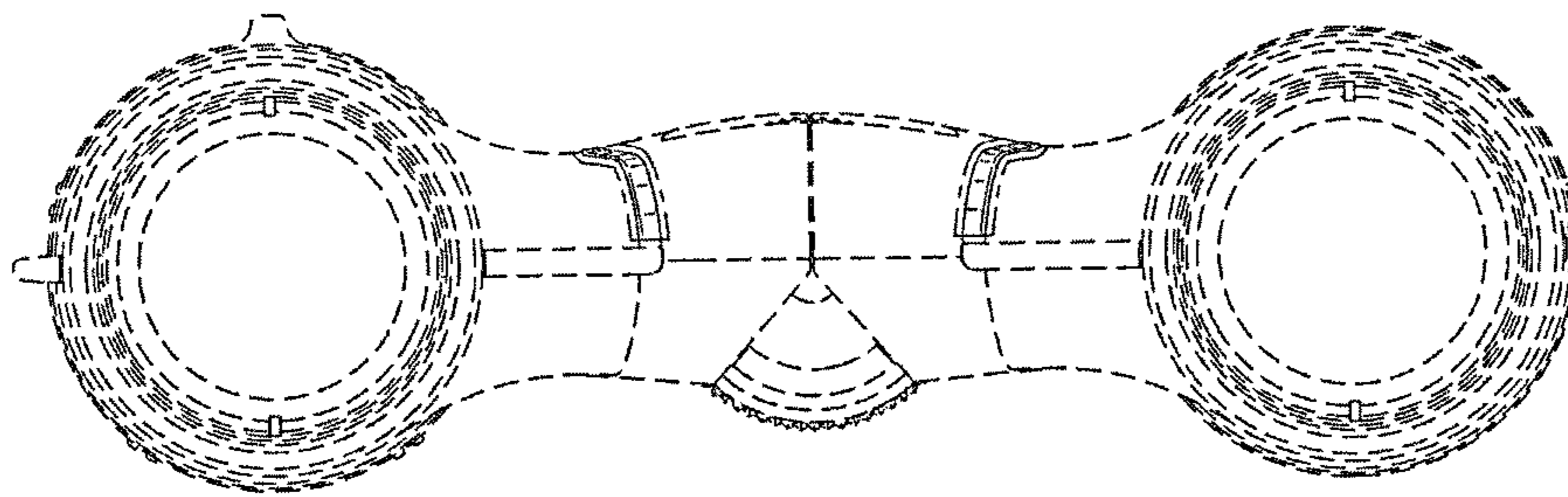


FIG. 8

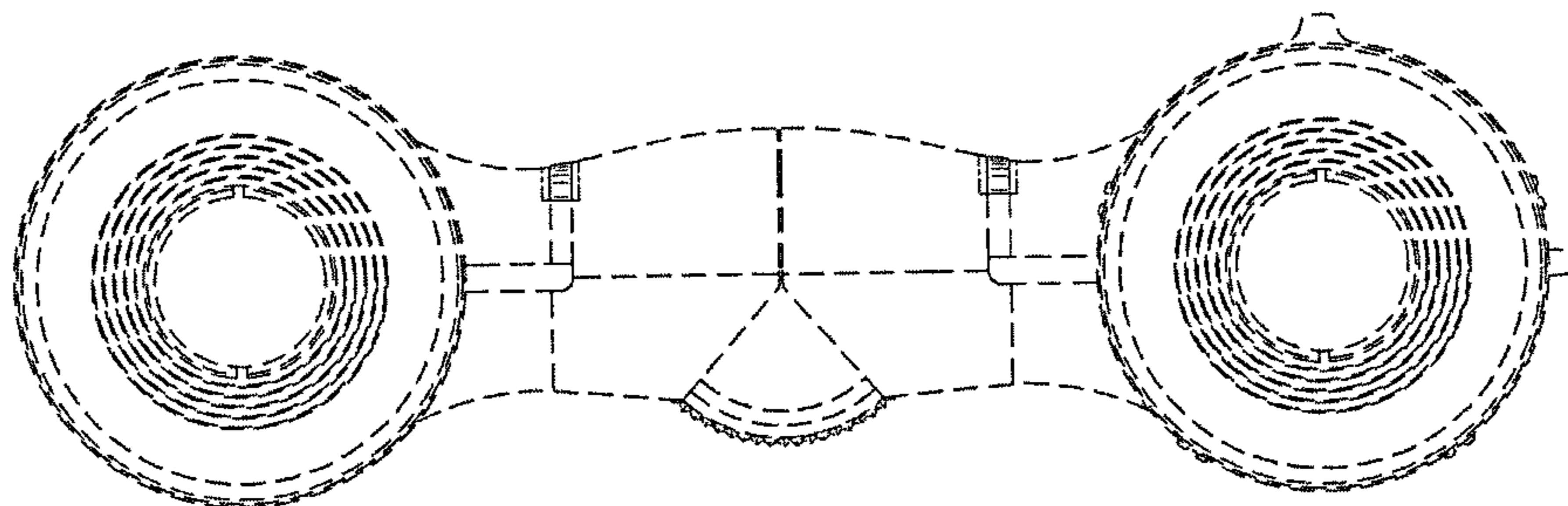


FIG. 9

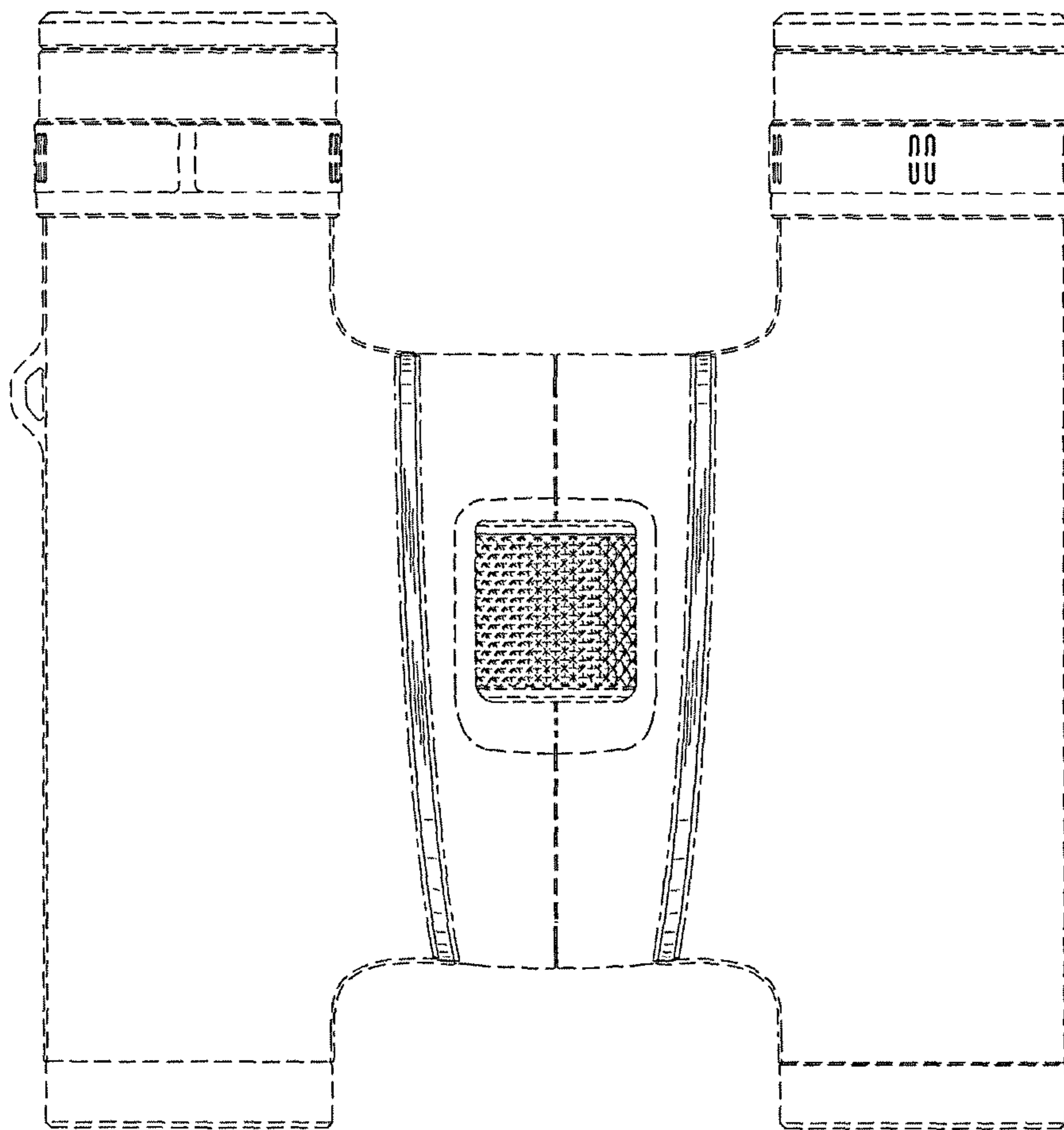


FIG. 10

