



US00D706847S

(12) **United States Design Patent**
Matsumiya et al.

(10) **Patent No.:** **US D706,847 S**
(45) **Date of Patent:** **** Jun. 10, 2014**

- (54) **MICROSCOPE**
- (71) Applicant: **Mitutoyo Corporation**, Kanagawa (JP)
- (72) Inventors: **Sadayuki Matsumiya**, Kawasaki (JP); **Kenji Okabe**, Kawasaki (JP); **Yasushi Fukumoto**, Kawasaki (JP); **Shigeru Ohtani**, Kawasaki (JP); **Kenji Iwamoto**, Kawasaki (JP)
- (73) Assignee: **Mitutoyo Corporation**, Kawasaki (JP)

4,676,608	A *	6/1987	Faubion	359/383
5,024,513	A *	6/1991	Hayashi	359/379
5,350,921	A *	9/1994	Aoyama et al.	250/311
D381,031	S *	7/1997	Miyata et al.	D16/131
5,691,840	A *	11/1997	Bae et al.	359/386
6,084,239	A *	7/2000	Miyata et al.	250/440.11
6,392,795	B2 *	5/2002	Okada	359/368
6,421,173	B1 *	7/2002	Corbisiero et al.	359/372
7,046,437	B2 *	5/2006	Karaki et al.	359/383
7,158,293	B2 *	1/2007	Hund et al.	359/384
D569,008	S *	5/2008	Lundqvist et al.	D24/232
D638,046	S *	5/2011	Noda et al.	D16/131
D643,866	S *	8/2011	Apotheloz	D16/131
D644,258	S *	8/2011	Noda et al.	D16/131

(**) Term: **14 Years**

(21) Appl. No.: **29/448,386**

(22) Filed: **Mar. 12, 2013**

(30) **Foreign Application Priority Data**

Jan. 9, 2013 (JP) 2013-000223

(51) **LOC (10) Cl.** **16-06**

(52) **U.S. Cl.**
CPC **G02B 21/24** (2013.01)
USPC **D16/131**

(58) **Field of Classification Search**
CPC G02B 1/24
USPC D16/131; D24/232, 233; 250/440.11;
359/368, 369, 370, 371, 372, 383, 384,
359/379, 824, 896

See application file for complete search history.

(56) **References Cited**

U.S. PATENT DOCUMENTS

D173,282	S *	10/1954	Pike	D16/131
3,440,864	A *	4/1969	Blume	73/61.53
3,471,261	A *	10/1969	Patterson	436/161
D223,669	S *	5/1972	Nishino	D16/131
D245,912	S *	9/1977	Masuyama et al.	D16/131
4,070,285	A *	1/1978	Abrahams	210/656
4,523,094	A *	6/1985	Rossow	250/311
D285,290	S *	8/1986	Shalon et al.	D10/81

OTHER PUBLICATIONS

“General Microscope, Measuring Microscope/Microscope Units/Objectives,” Catalog No. 4250(14), Mar. 2010 (w/ partial translation).

“Microscope Units, Microscope Units, Objectives, Eyepieces and Accessories,” Catalog No. 4208(16), Mar. 2010 (w/ English version).

* cited by examiner

Primary Examiner — Paula Greene

(74) *Attorney, Agent, or Firm* — Oliff PLC

(57) **CLAIM**

The ornamental design for a microscope, as shown and described.

DESCRIPTION

FIG. 1 is a front, bottom, right-side perspective view of a microscope;

FIG. 2 is a front view thereof;

FIG. 3 is a top view thereof;

FIG. 4 is a right-side view thereof;

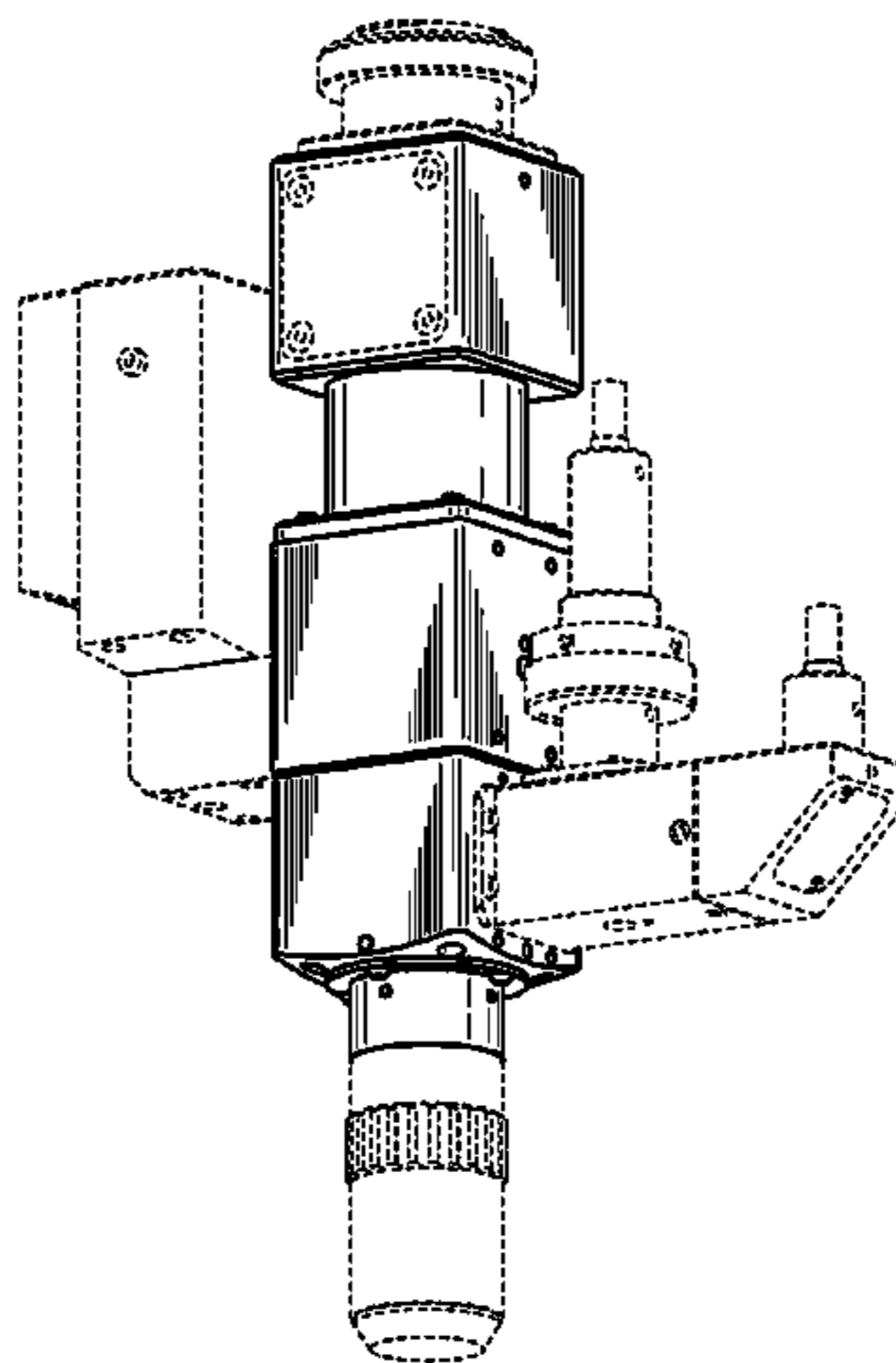
FIG. 5 is a left-side view thereof;

FIG. 6 is a rear view thereof; and,

FIG. 7 is a bottom view thereof.

The broken lines depict environmental subject matter only and form no part of the claimed design.

1 Claim, 7 Drawing Sheets



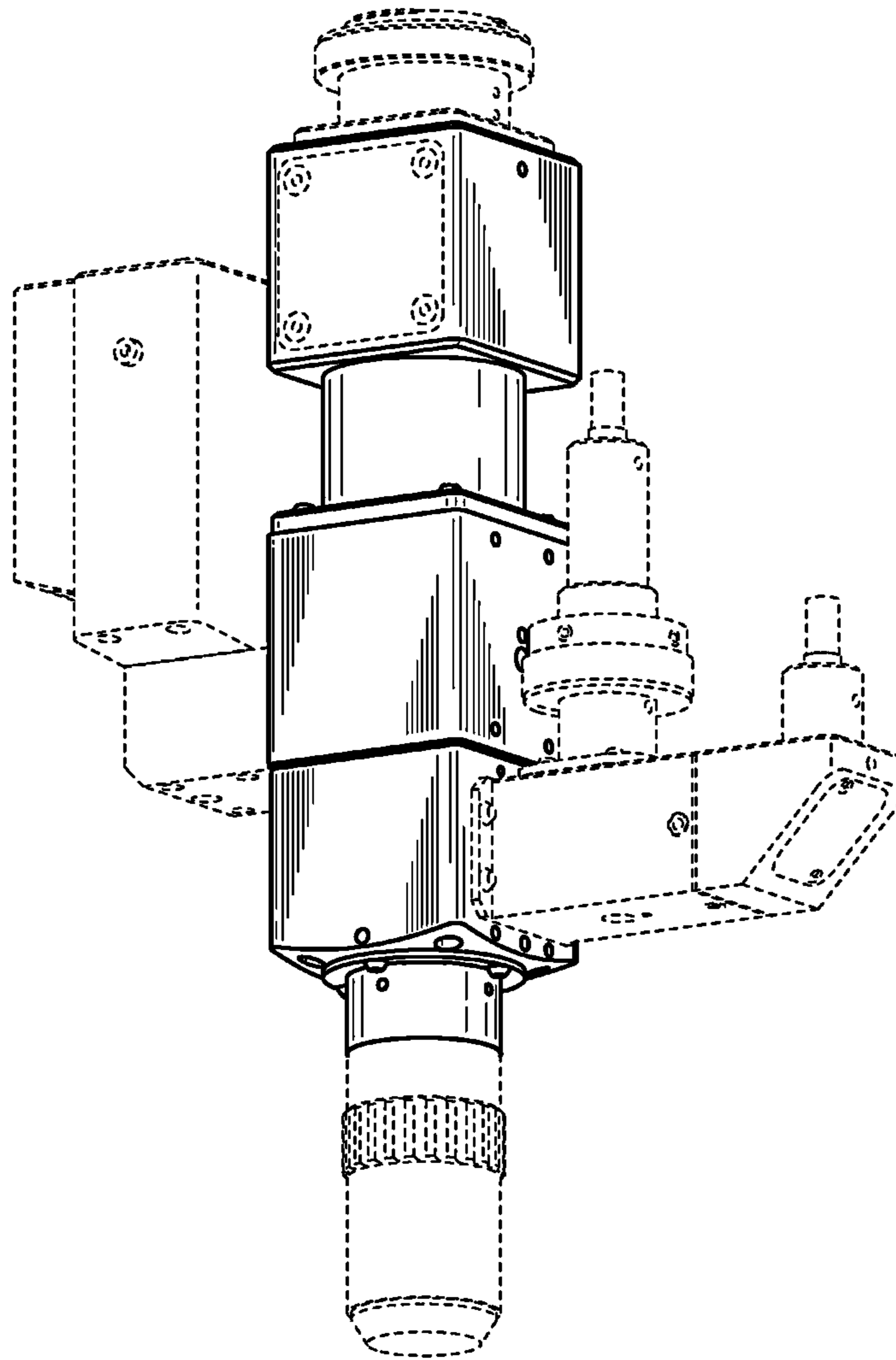


FIG. 1

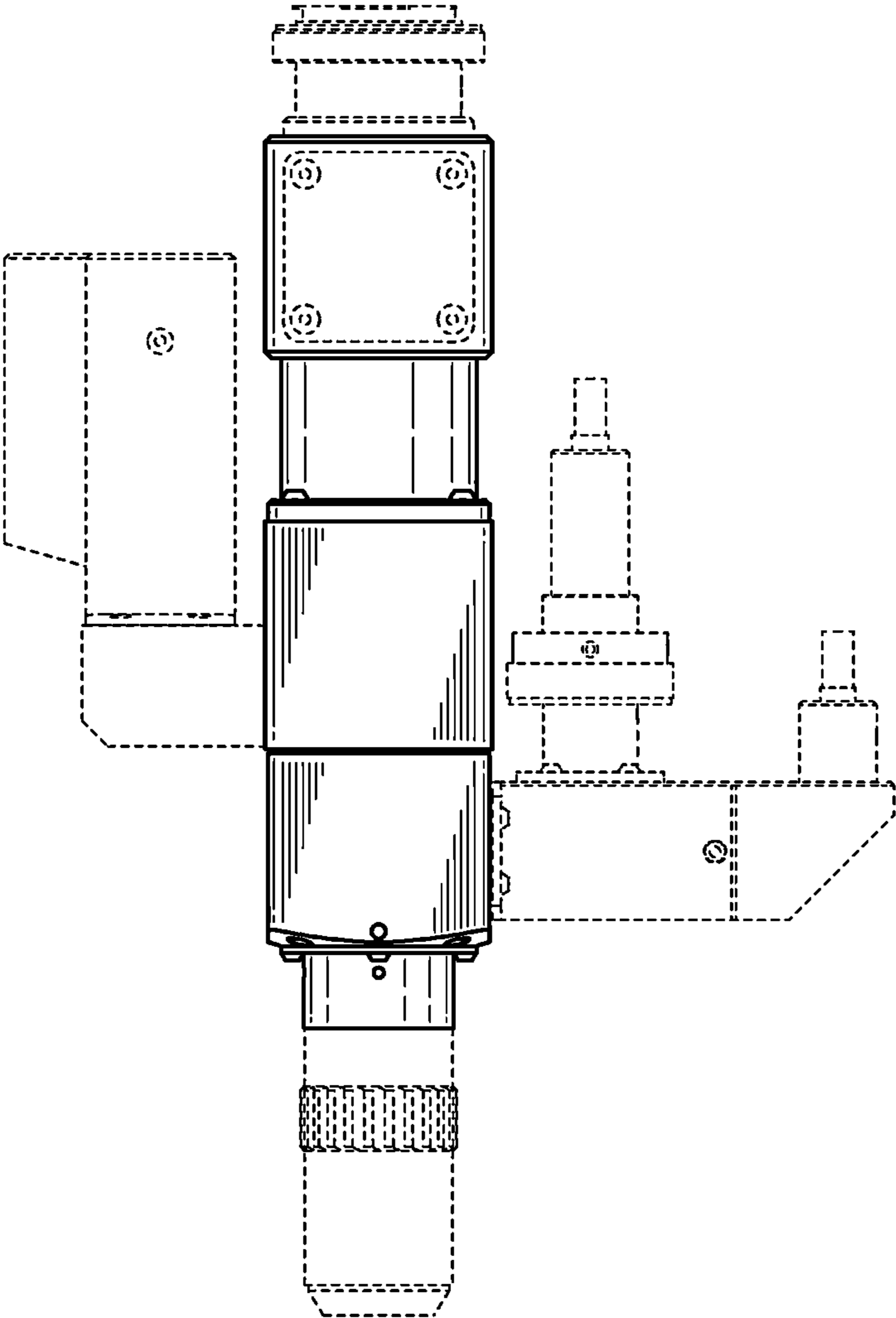


FIG. 2

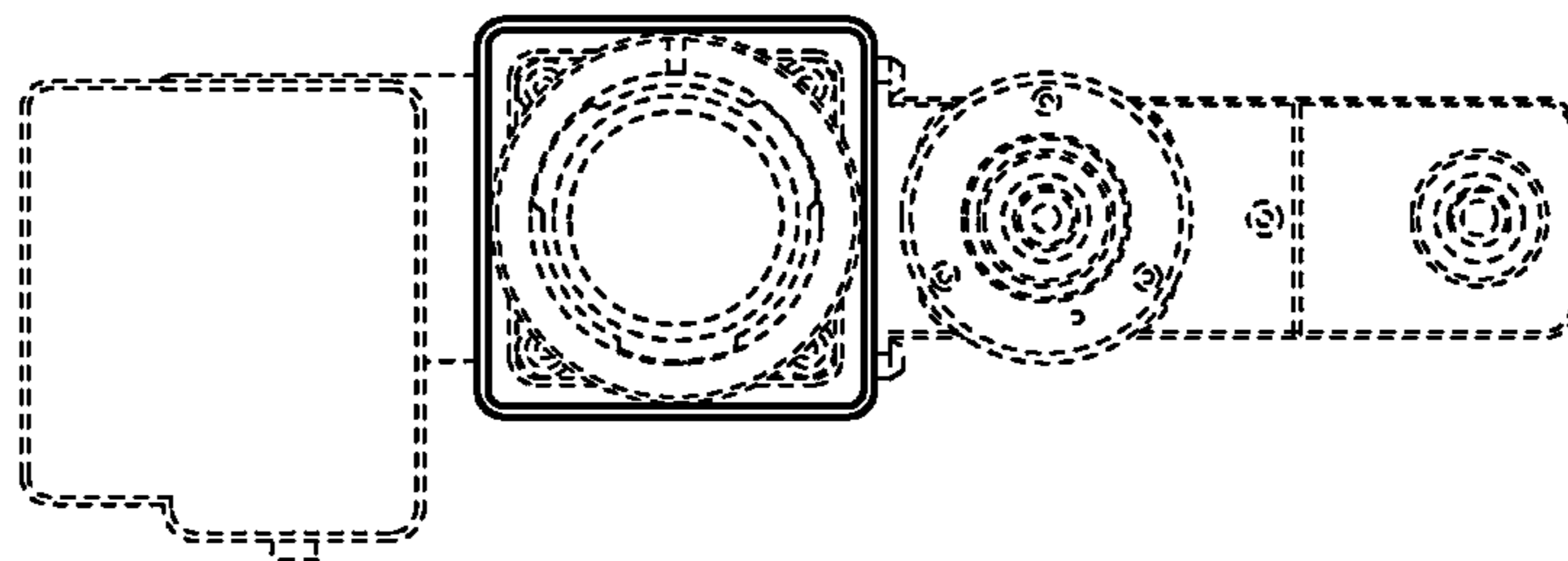


FIG. 3

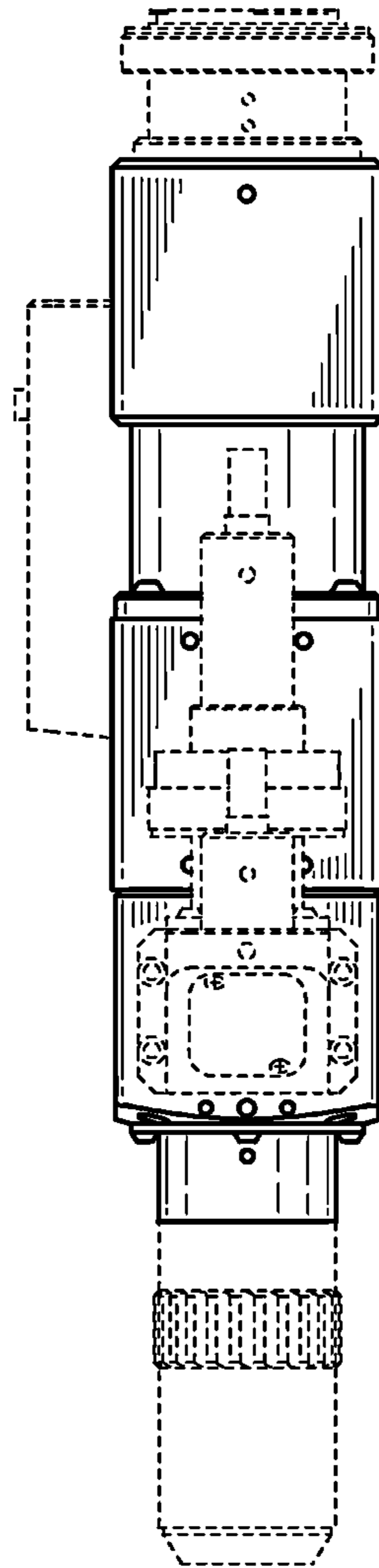


FIG.4

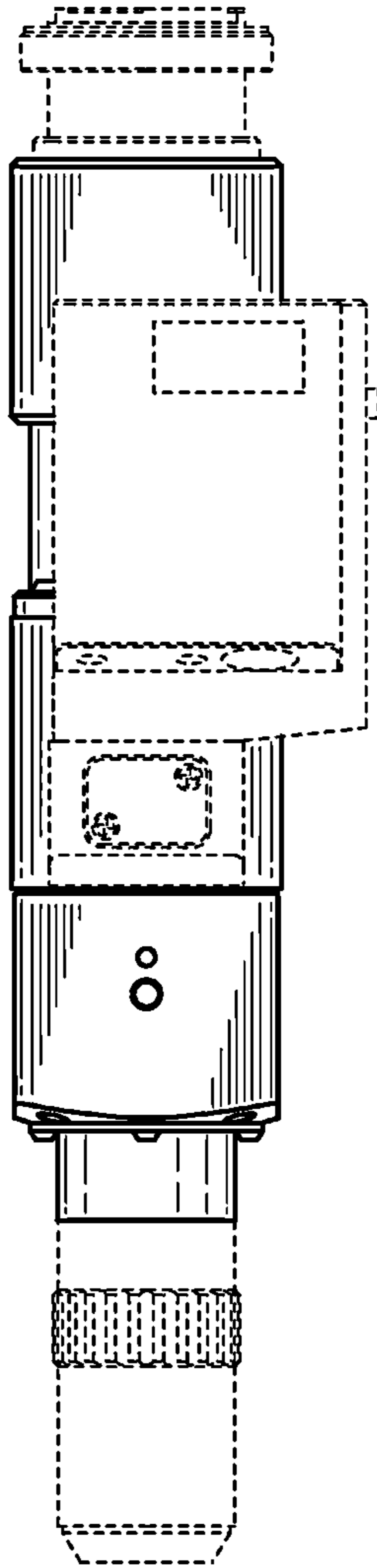


FIG. 5

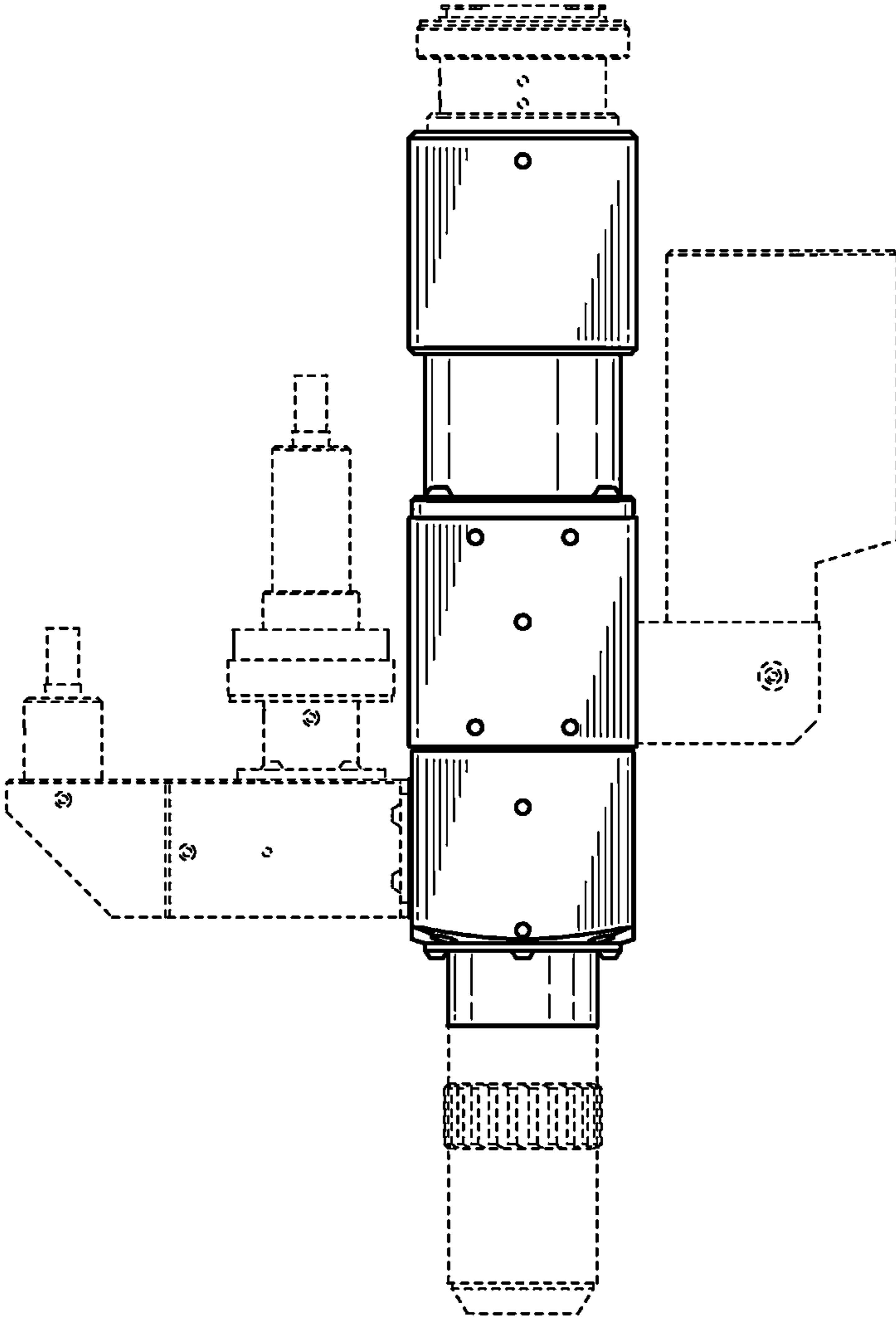


FIG. 6

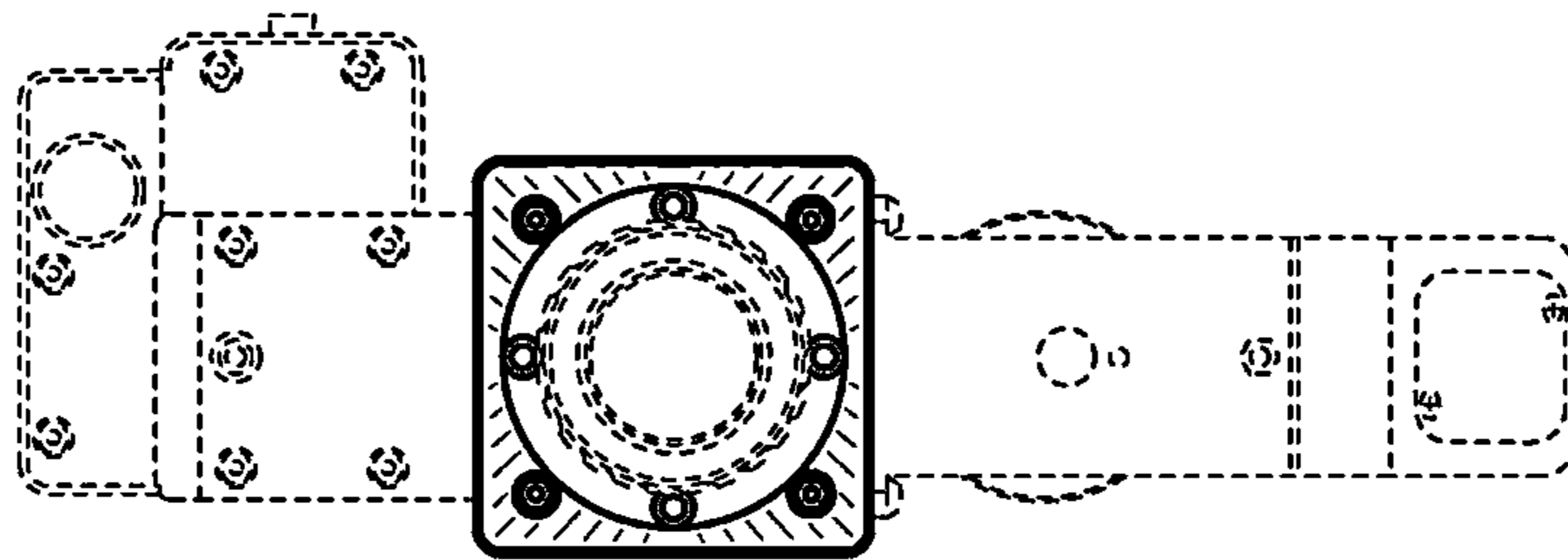


FIG.7