



US00D706843S

(12) **United States Design Patent**
Banjo

(10) **Patent No.:** **US D706,843 S**

(45) **Date of Patent:** **** Jun. 10, 2014**

(54) **SPLITTING WEDGE FOR LOG SPLITTER**

(71) Applicant: **Daniel Banjo**, Boulder, CO (US)

(72) Inventor: **Daniel Banjo**, Boulder, CO (US)

(73) Assignee: **Frictionless World LLC**, Louisville, CO (US)

(**) Term: **14 Years**

(21) Appl. No.: **29/471,860**

(22) Filed: **Nov. 6, 2013**

(51) **LOC (10) Cl.** **15-09**

(52) **U.S. Cl.**
USPC **D15/127**

(58) **Field of Classification Search**
USPC D8/47; D15/138, 139, 199
See application file for complete search history.

(56) **References Cited**

U.S. PATENT DOCUMENTS

3,862,651	A *	1/1975	Heikkinen	144/4.6
D255,686	S *	7/1980	Duppong et al.	D15/139
4,412,570	A *	11/1983	Nickerson	144/195.1
4,444,232	A *	4/1984	Loos	144/195.1
4,453,580	A *	6/1984	Patten	144/195.1
4,467,851	A *	8/1984	Hockman	144/193.1
4,488,585	A *	12/1984	Kendziorski	144/195.7
4,506,712	A *	3/1985	Johnson	144/195.1
4,589,457	A *	5/1986	Schmidt et al.	144/195.8
4,782,870	A *	11/1988	Duerr	144/195.1

5,337,810	A *	8/1994	McCormack	144/195.1
D385,167	S *	10/1997	Weber	D8/47
D528,570	S *	9/2006	Lewis et al.	D15/127
7,255,143	B1 *	8/2007	Babcock et al.	144/195.1
D552,133	S *	10/2007	Babcock et al.	D15/127
D566,733	S *	4/2008	Babcock	D15/138
D669,507	S *	10/2012	Banjo et al.	D15/127
D676,883	S *	2/2013	Banjo et al.	D15/127
2011/0041955	A1 *	2/2011	Bedel	144/195.1
2011/0079323	A1 *	4/2011	Green	144/195.8

* cited by examiner

Primary Examiner — Patricia Palasik

(74) *Attorney, Agent, or Firm* — Marsh Fischmann & Breyfogle LLP; Jonathon A. Szumny

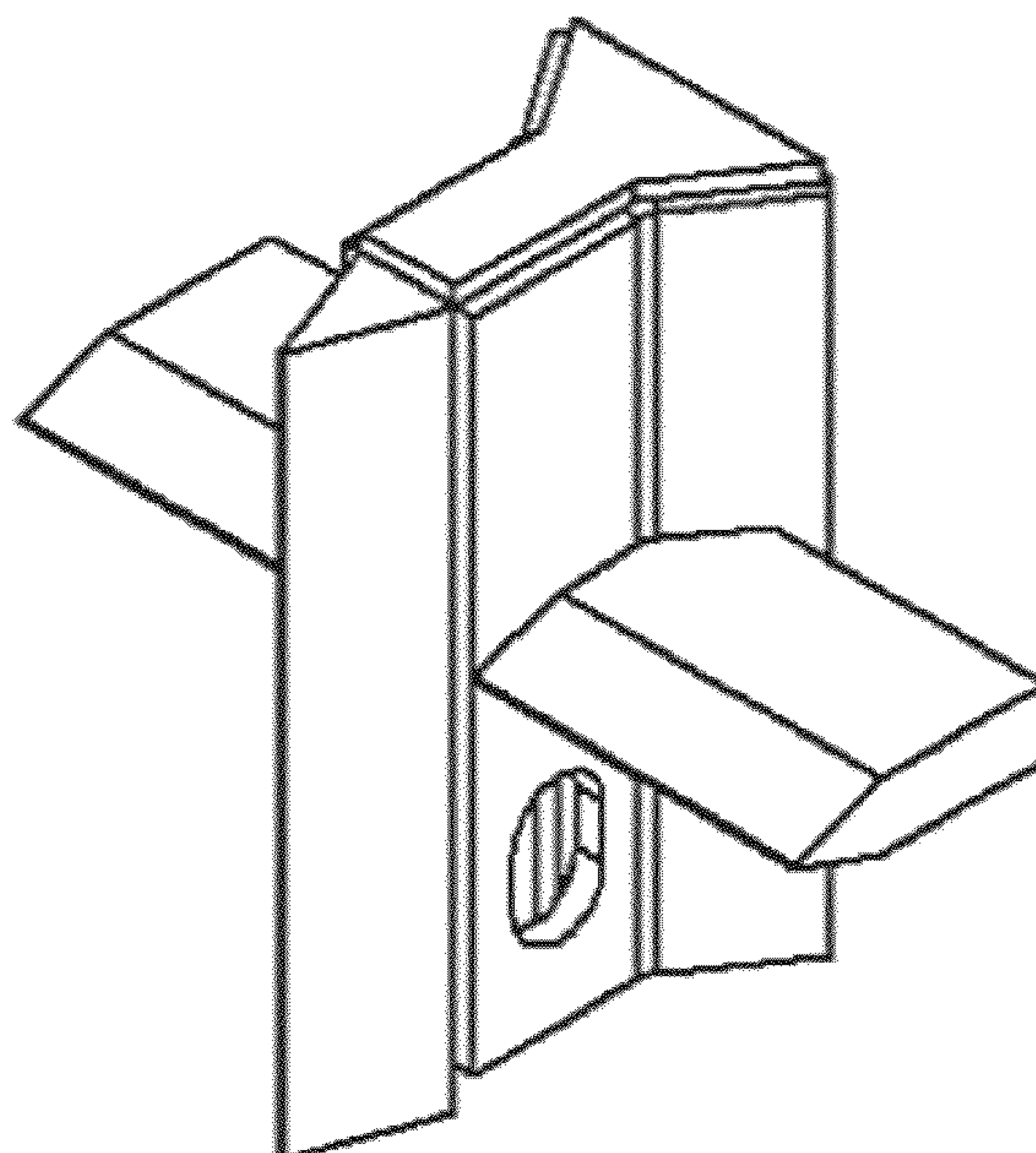
(57) **CLAIM**

The ornamental design for a “splitting wedge for log splitter,” as shown and described.

DESCRIPTION

FIG. 1 is a perspective view of a splitting wedge.
FIG. 2 is a top view of the splitting wedge of FIG. 1.
FIG. 3 is a right side view of the splitting wedge of FIG. 1, the left side being a mirror image thereof.
FIG. 4 is a front view of the splitting wedge of FIG. 1.
FIG. 5 is a rear view of the splitting wedge of FIG. 1; and,
FIG. 6 is a bottom view of the splitting wedge of FIG. 1.
A left side view of the splitting wedge of FIG. 1a has been omitted because it is a mirror image of the right side view of FIG. 1c.

1 Claim, 3 Drawing Sheets



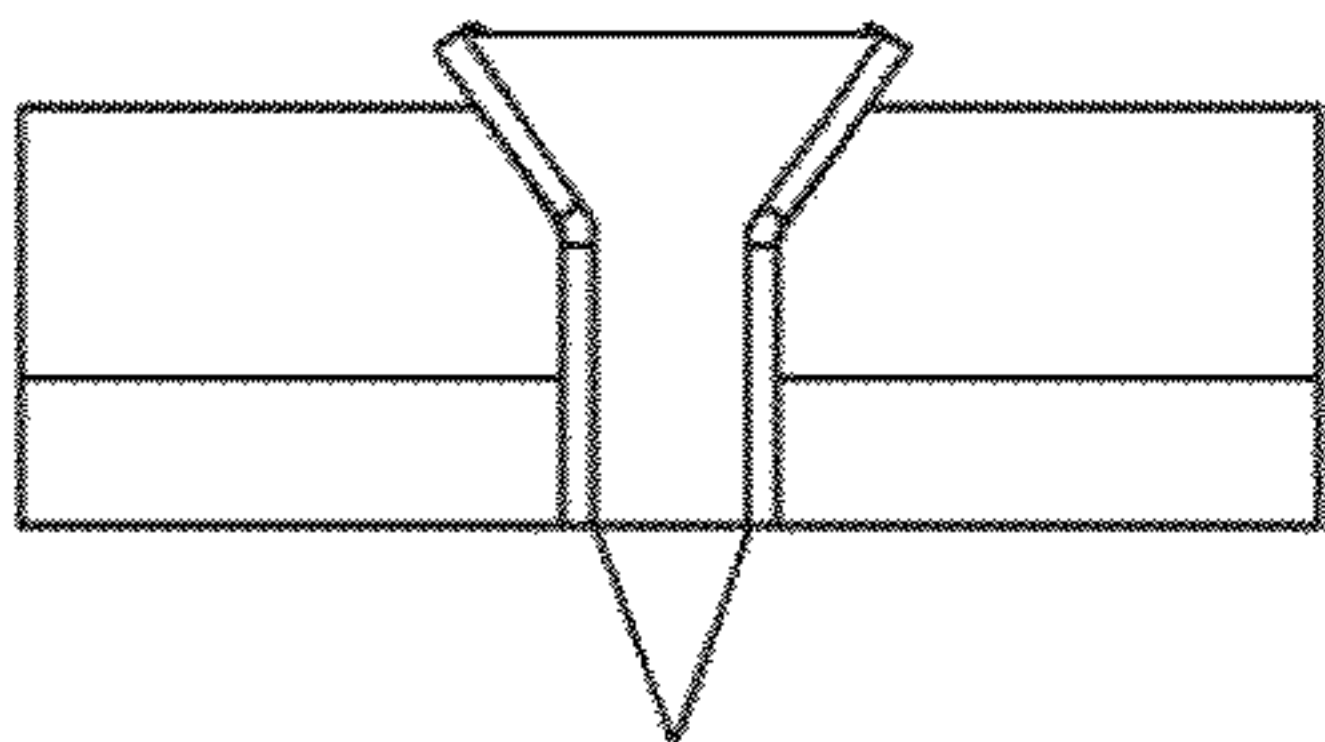


FIG. 2

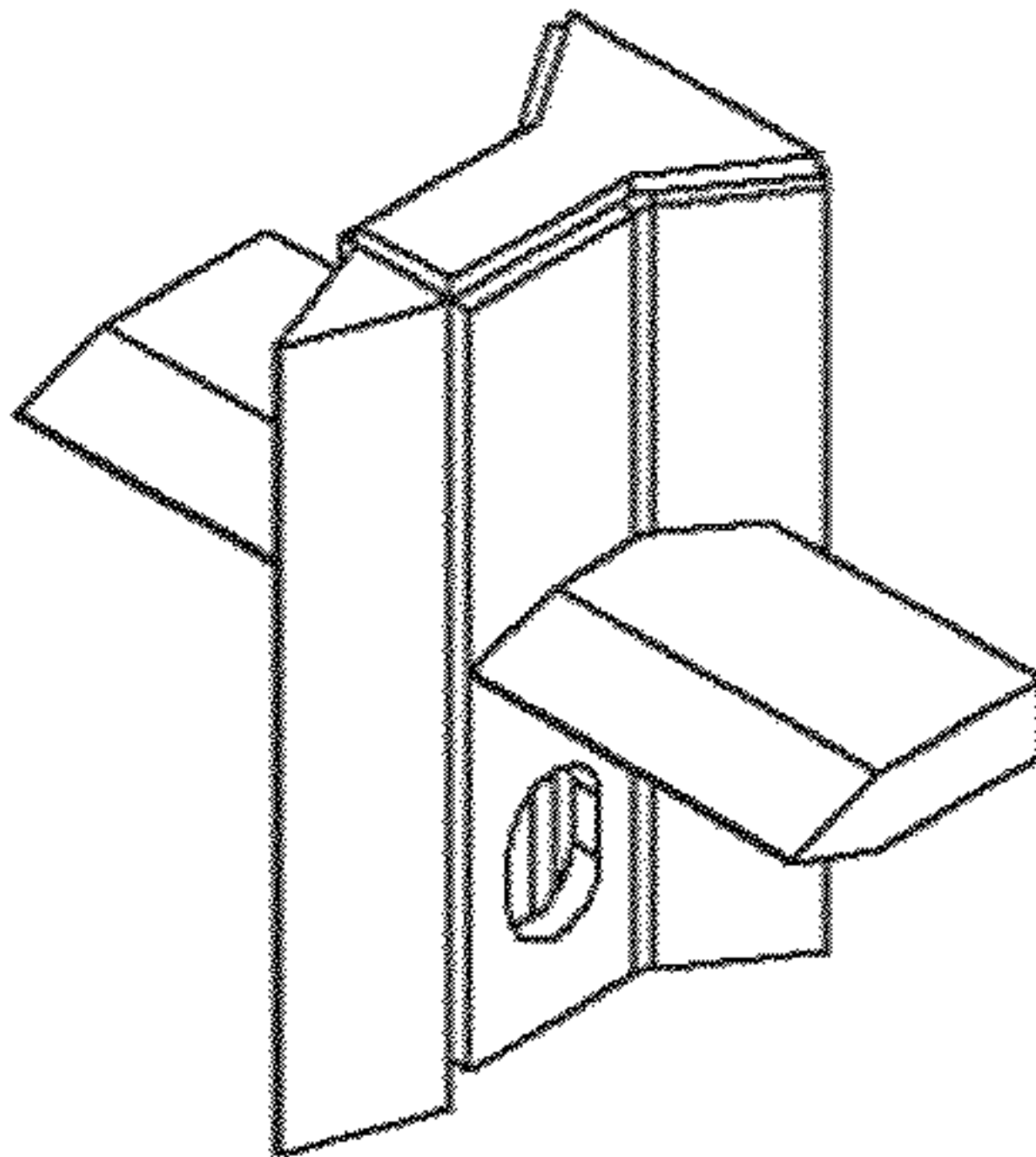


FIG. 1

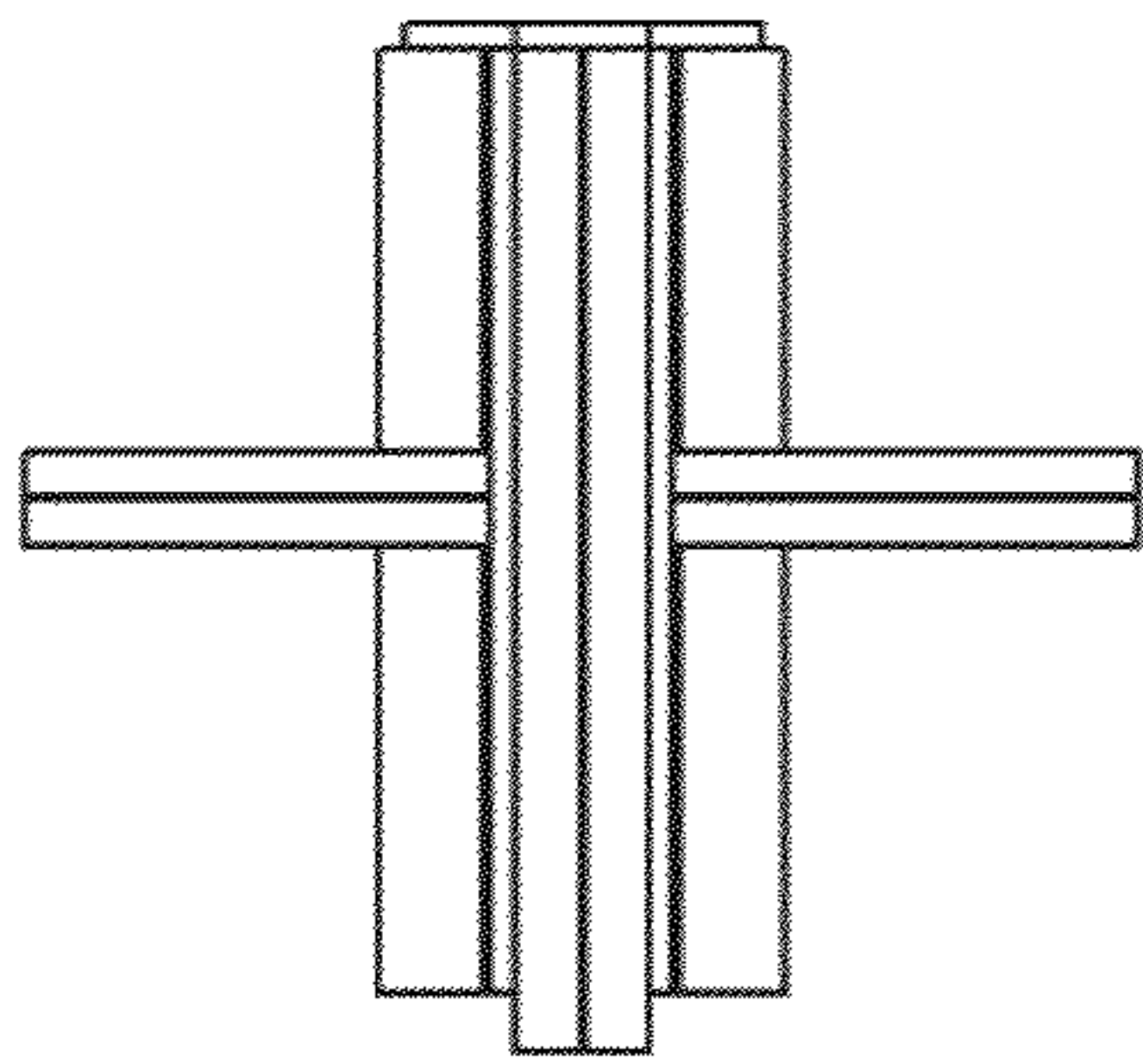


FIG. 4

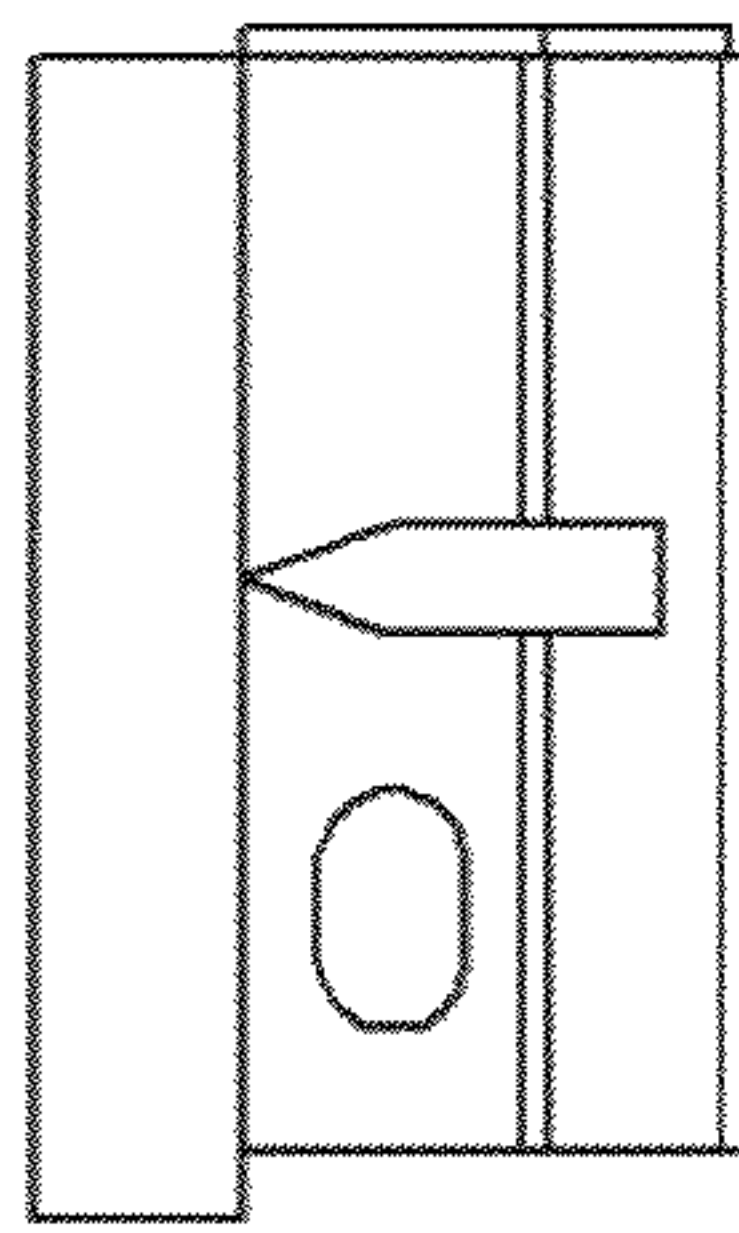


FIG. 3

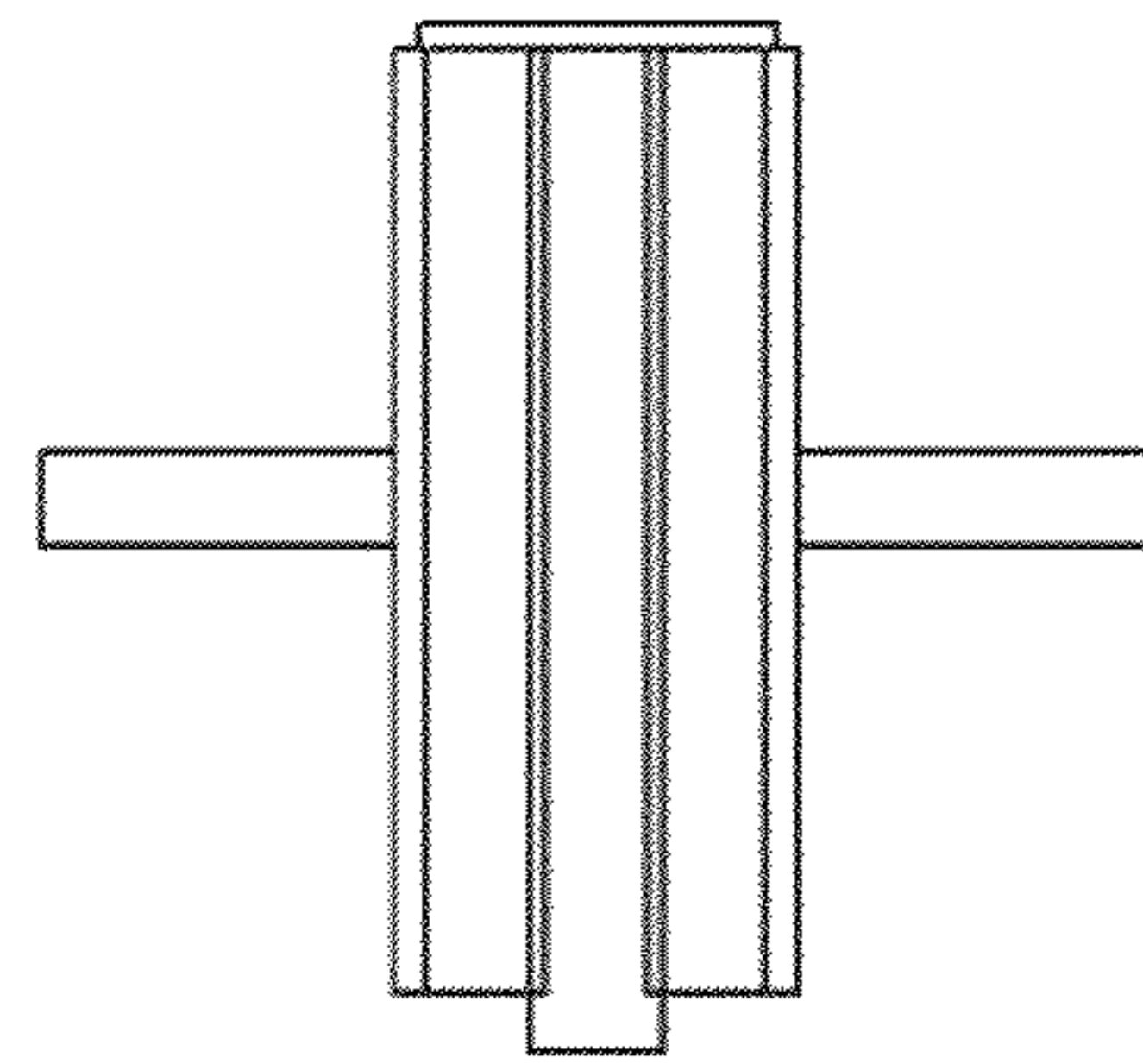


FIG. 5

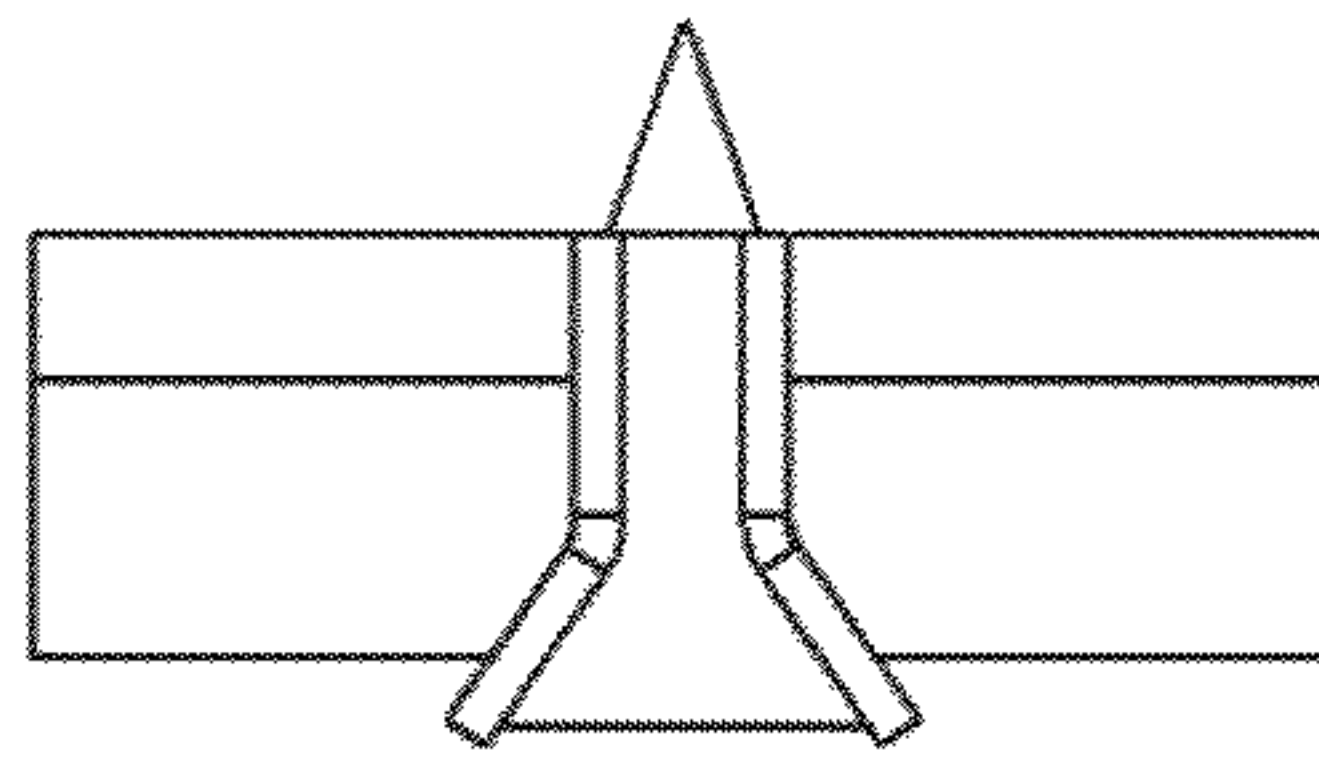


FIG. 6

UNITED STATES PATENT AND TRADEMARK OFFICE
CERTIFICATE OF CORRECTION

PATENT NO. : D706,843 S
APPLICATION NO. : 29/471860
DATED : June 10, 2014
INVENTOR(S) : Banjo

Page 1 of 1

It is certified that error appears in the above-identified patent and that said Letters Patent is hereby corrected as shown below:

Title page: Column 2, item (57), delete “A left side view of the splitting wedge of FIG. 1a has been omitted because it is a mirror image of the right side view of FIG. 1c” and insert therefor --A left side view of the splitting wedge of FIG. 1 has been omitted because it is a mirror image of the right side view of FIG. 3--.

Signed and Sealed this
Sixteenth Day of September, 2014



Michelle K. Lee
Deputy Director of the United States Patent and Trademark Office