



US00D706842S

(12) **United States Design Patent**
Maggioni

(10) **Patent No.:** **US D706,842 S**

(45) **Date of Patent:** **** Jun. 10, 2014**

(54) **ICEPACK**

(71) Applicant: **Colombo Smart Plastic S.p.A.**,
Monza-Brianza (IT)

(72) Inventor: **Marco Maggioni**, Monza-Brianza (IT)

(73) Assignee: **Colombo Smart Plastic S.p.A.**,
Bellusco, Monza-Brianza (IT)

(**) Term: **14 Years**

(21) Appl. No.: **29/444,277**

(22) Filed: **Jan. 29, 2013**

(30) **Foreign Application Priority Data**

Nov. 7, 2012 (WO) 701942501

(51) **LOC (10) Cl.** **15-07**

(52) **U.S. Cl.**
USPC **D15/90**

(58) **Field of Classification Search**
USPC D15/89, 90; 62/125; 249/605-608
See application file for complete search history.

(56) **References Cited**

U.S. PATENT DOCUMENTS

D322,383 S *	12/1991	Jones	D15/90
D336,595 S *	6/1993	Jones	D15/90
D351,532 S *	10/1994	Wolfenden	D7/605
D473,572 S *	4/2003	Linberg et al.	D15/90
D537,850 S *	3/2007	Moore et al.	D15/90
D537,851 S *	3/2007	Mount	D15/90
D538,309 S *	3/2007	Mount	D15/90

* cited by examiner

Primary Examiner — Mitchell Siegel

(74) *Attorney, Agent, or Firm* — Thomas|Horstemeyer, LLP

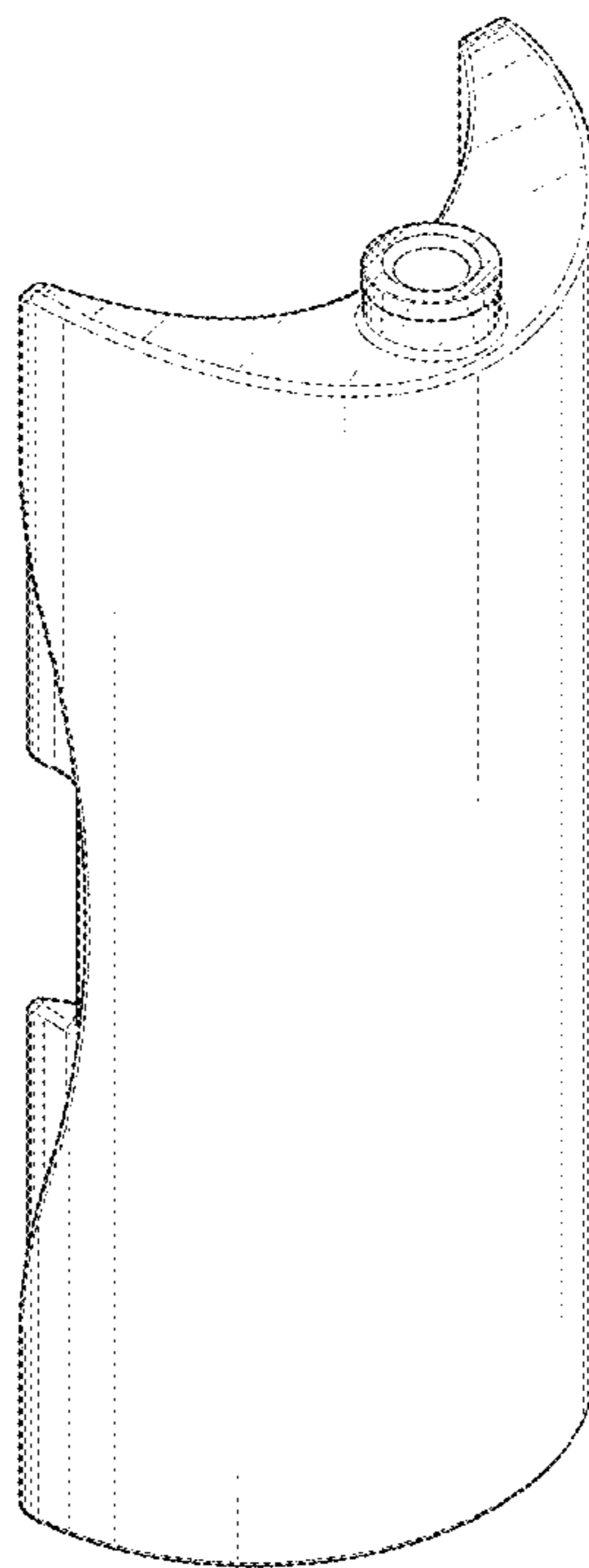
(57) **CLAIM**

The ornamental design for an icepack, as shown and described.

DESCRIPTION

FIG. 1 is a side perspective view of my new icepack, FIG. 2 is a side elevational view of my new icepack of FIG. 1, FIG. 3 is a side elevational view of my new icepack of the side opposite FIG. 2, FIG. 4 is a side elevational view of my icepack of the right side of FIGS. 1 and 2, FIG. 5 is a side elevational view of my new icepack of the left side of FIGS. 1 and 2, FIG. 6 is a top plan view of my new icepack, FIG. 7 is a bottom plan view of my new icepack, FIG. 8 is a side perspective view of another embodiment of my icepack of FIG. 1, FIG. 9 is a side elevational view of the embodiment of FIG. 8, FIG. 10 is another side elevational view of the embodiment of FIG. 8, FIG. 11 is yet another side elevational view of the embodiment of FIG. 8, FIG. 12 is yet another further side elevational view of the embodiment of FIG. 8, FIG. 13 is a top plan view of my new icepack of FIG. 8; and, FIG. 14 is a bottom plan view of my icepack of FIG. 8. The broken line showing of the features illustrated in FIGS. 8-14 are for the purpose of illustrating environmental structure and form no part of the claimed design.

1 Claim, 14 Drawing Sheets



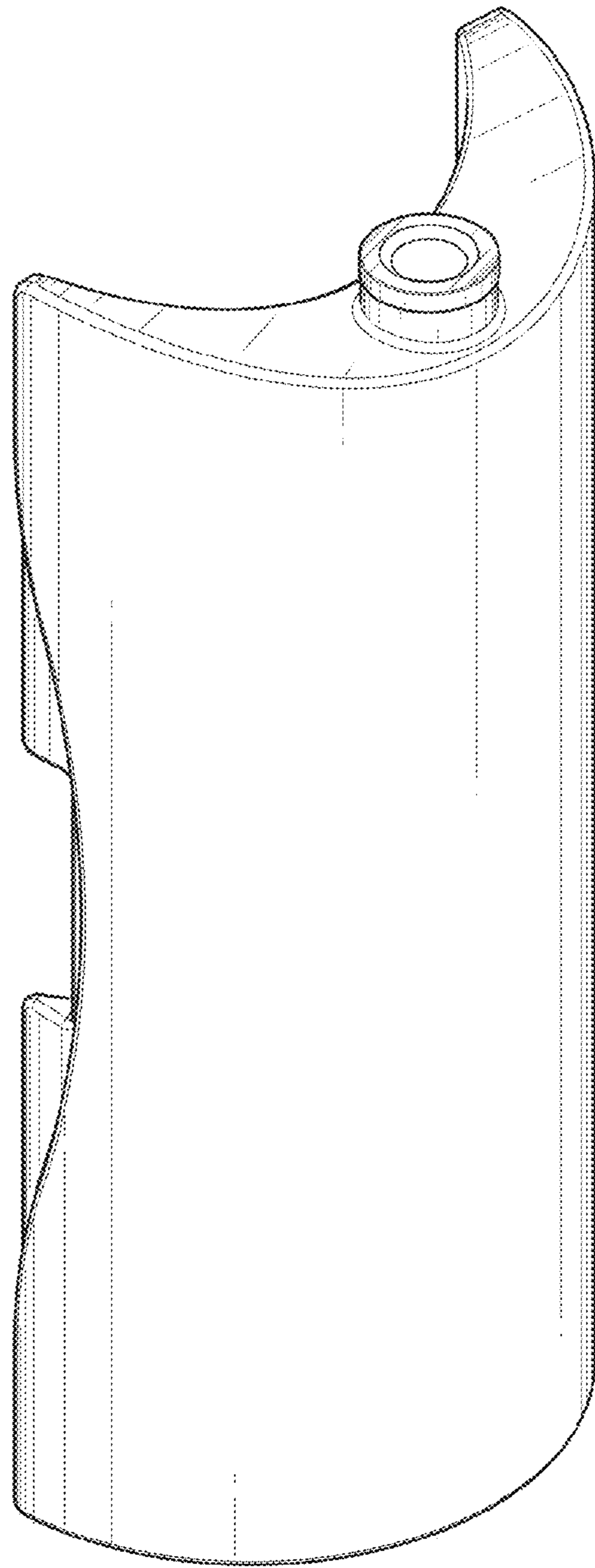


FIG. 1

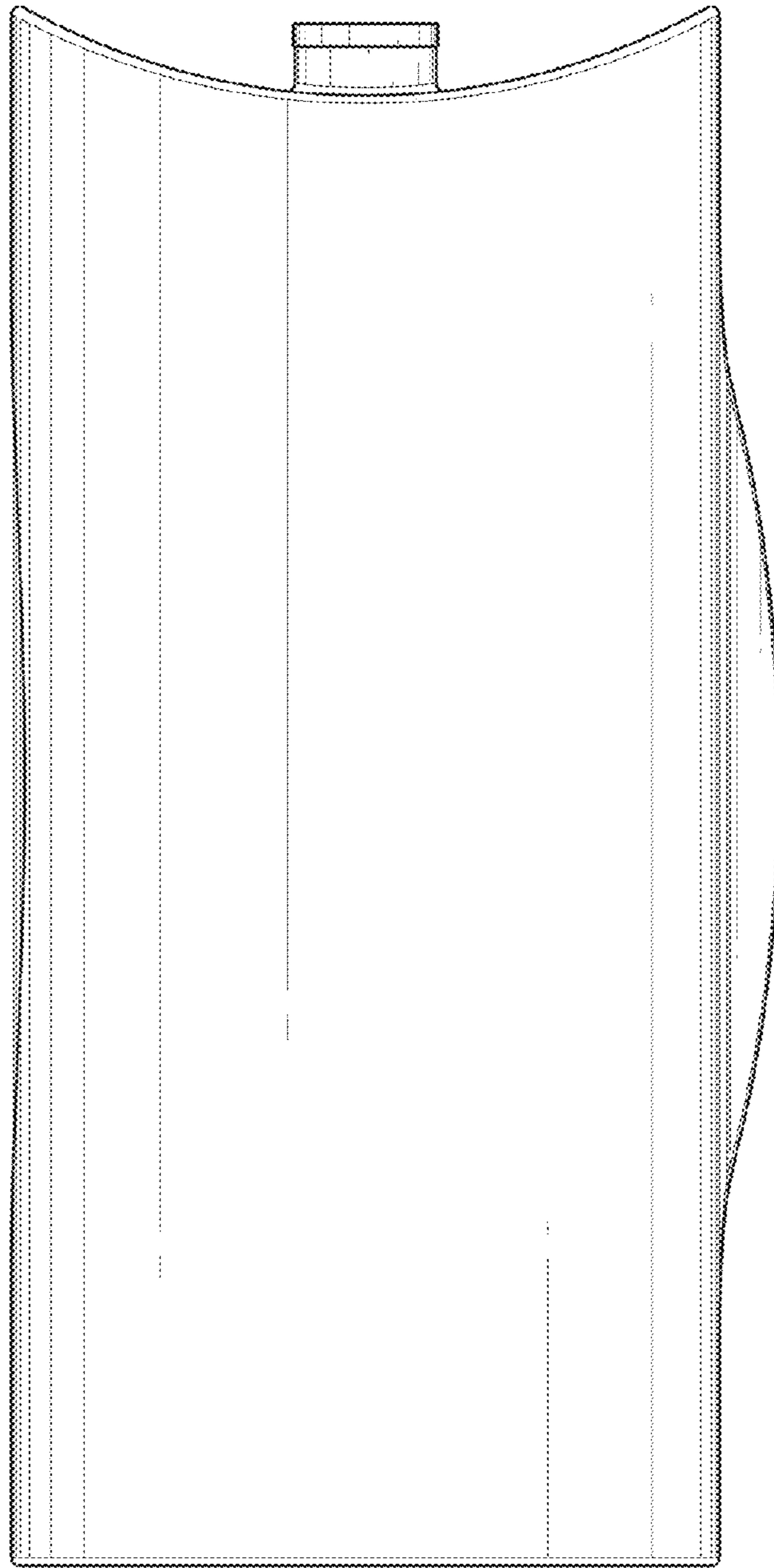


FIG. 2

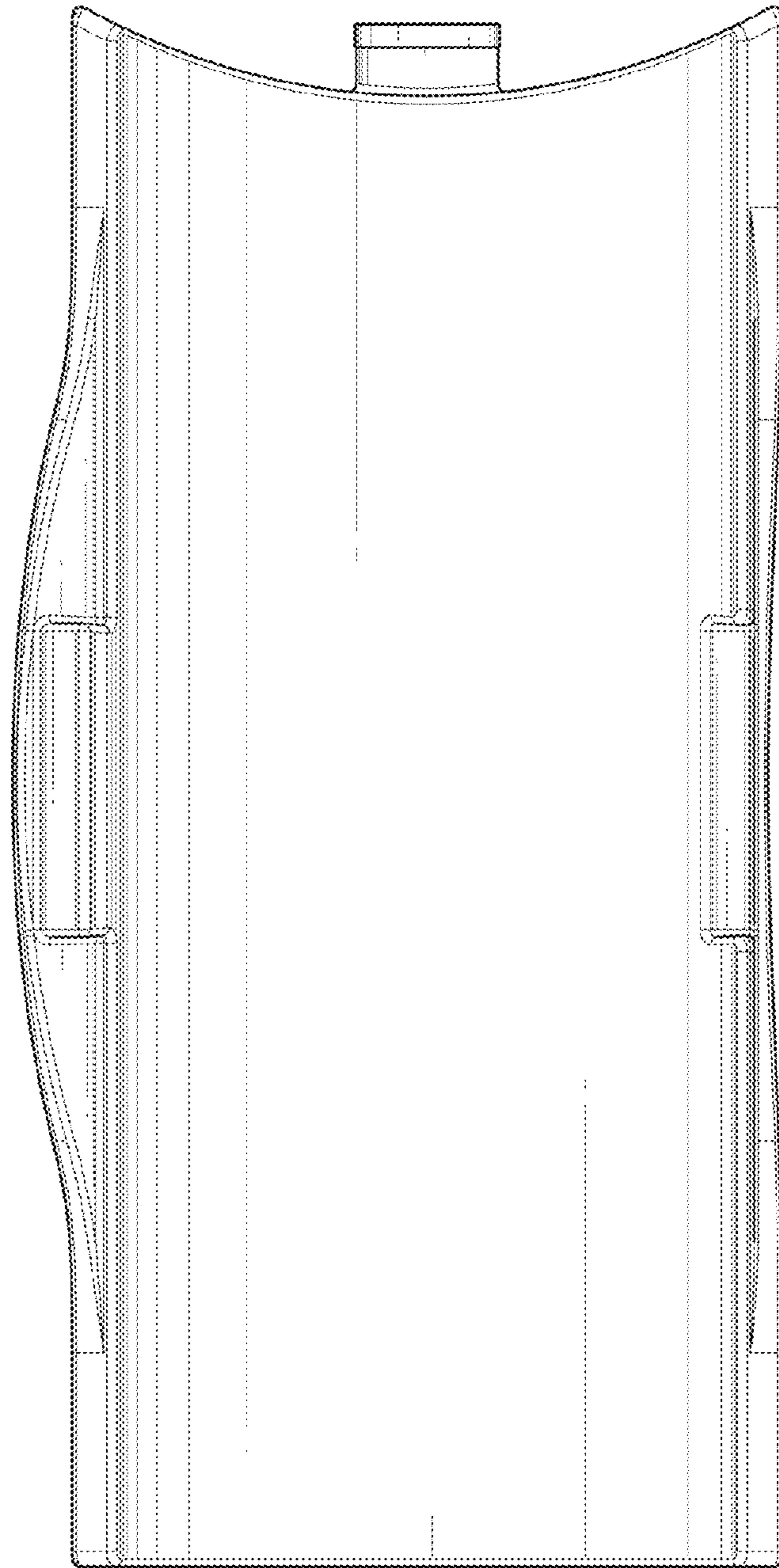


FIG. 3

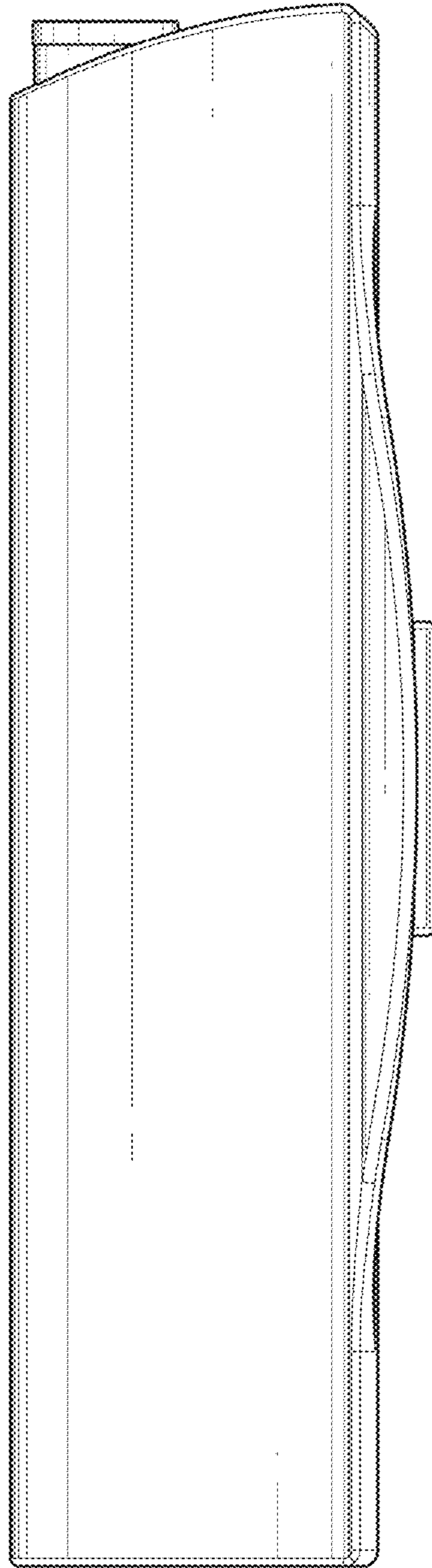


FIG. 4

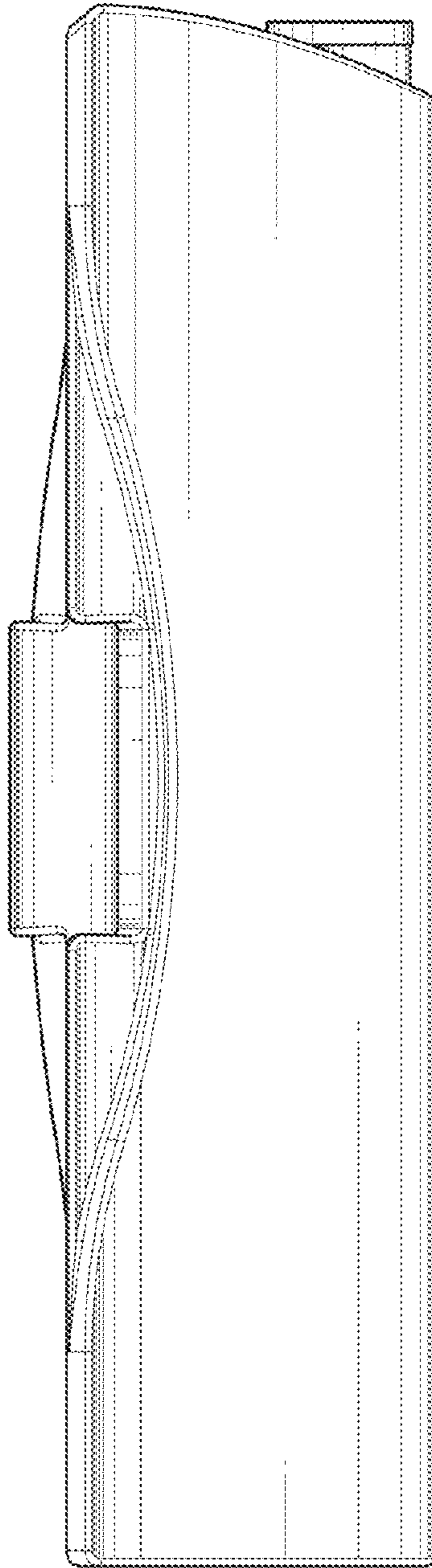


FIG. 5

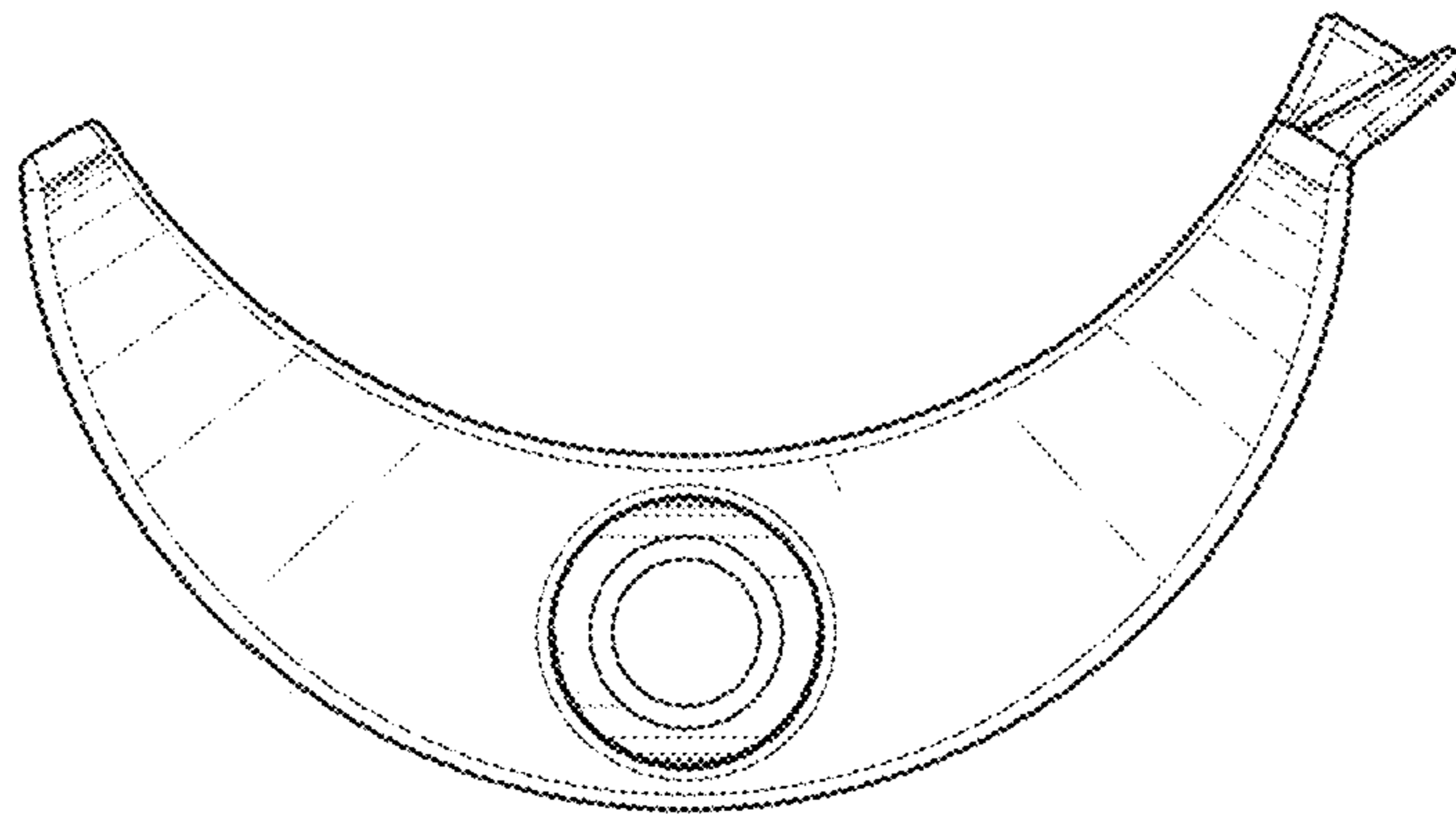


FIG. 6

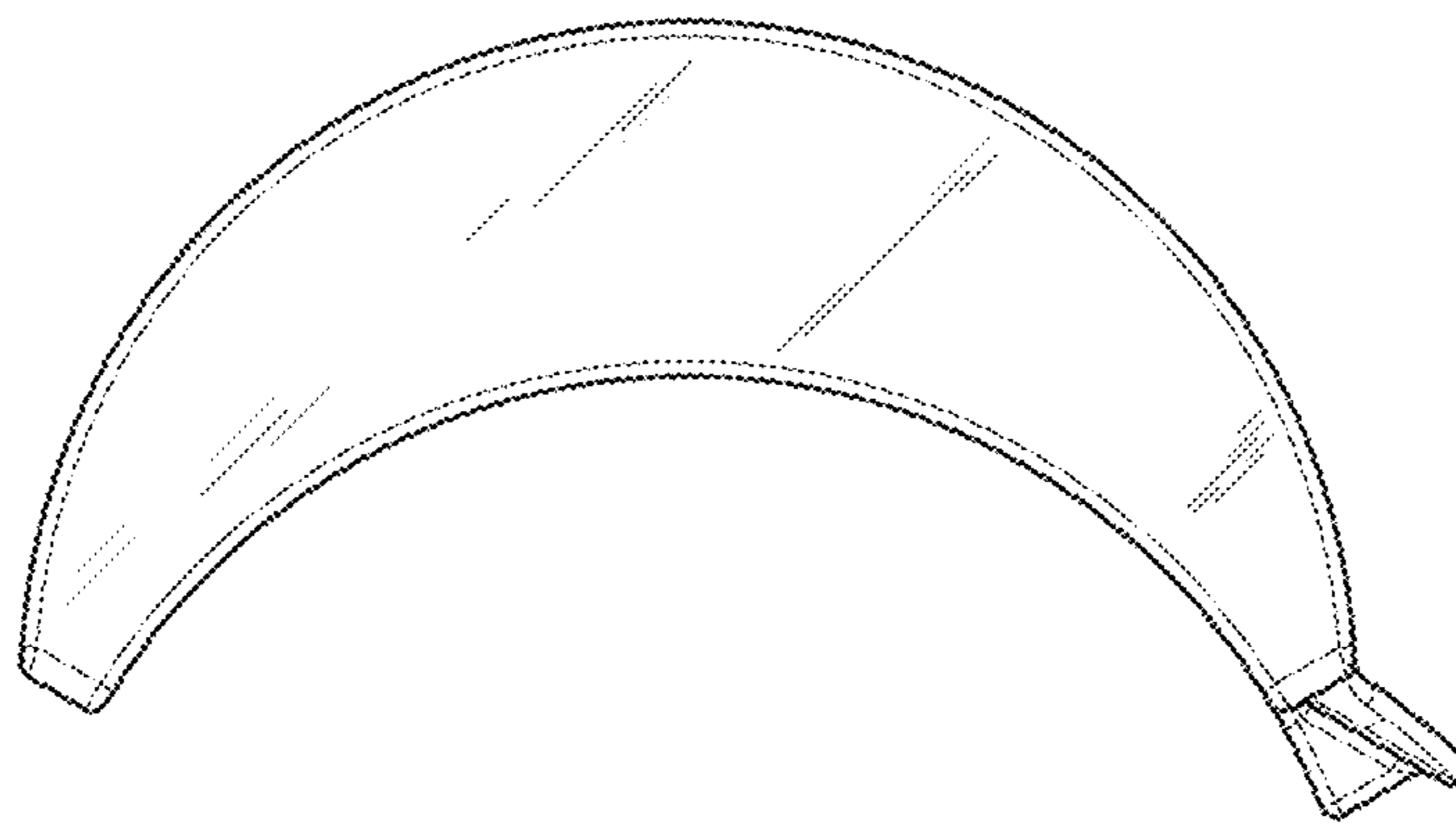


FIG. 7

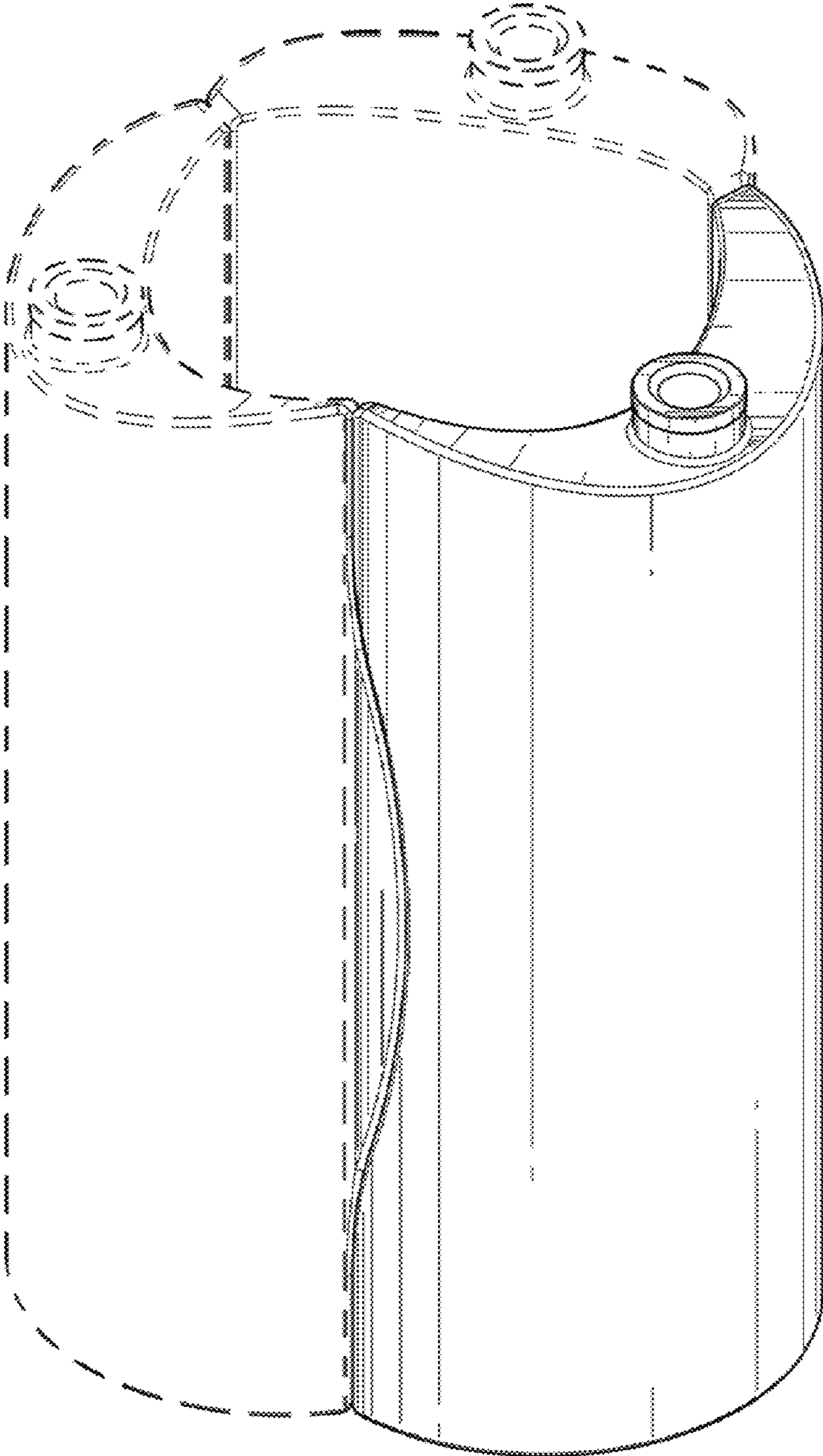


FIG. 8

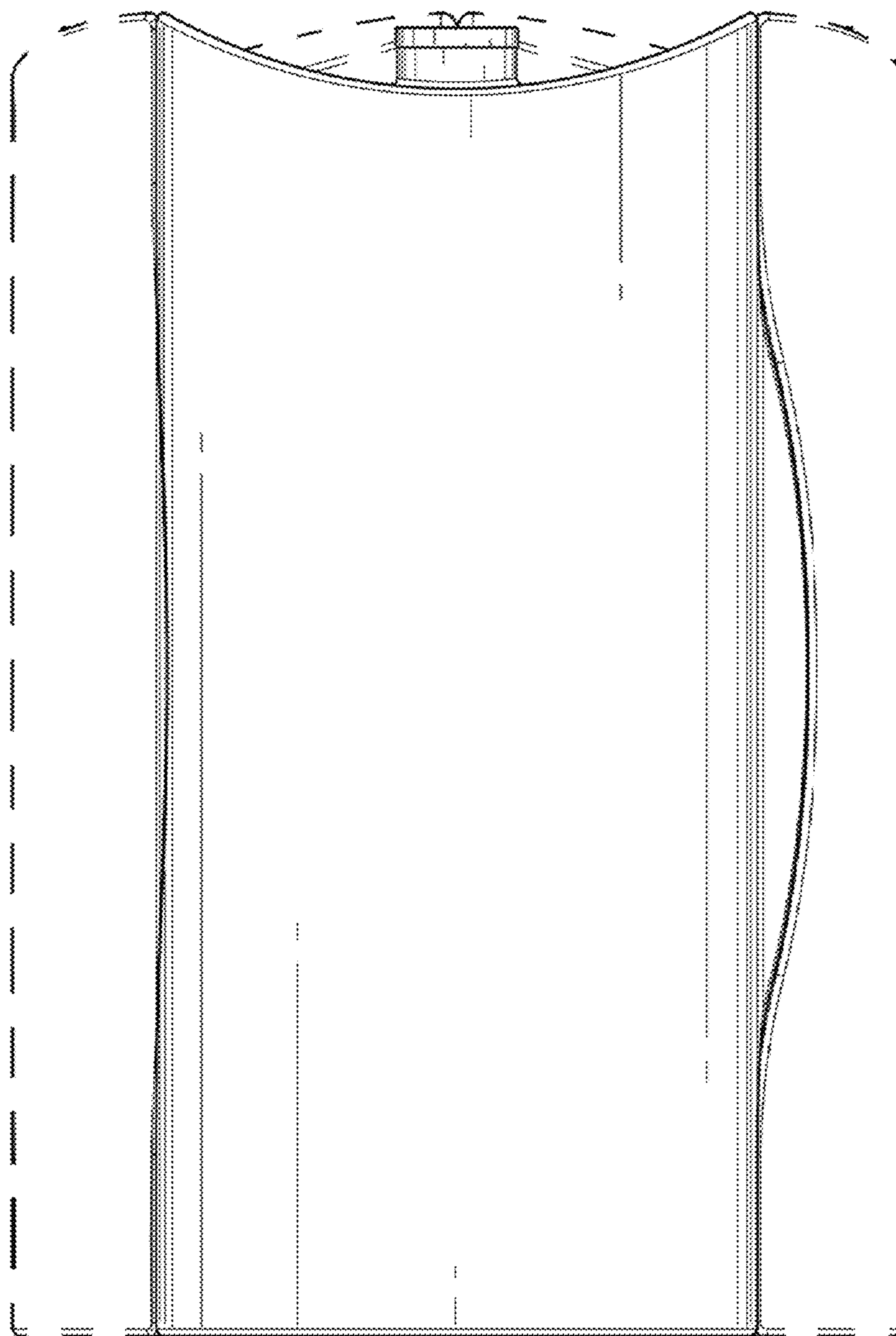


FIG. 9



FIG. 10

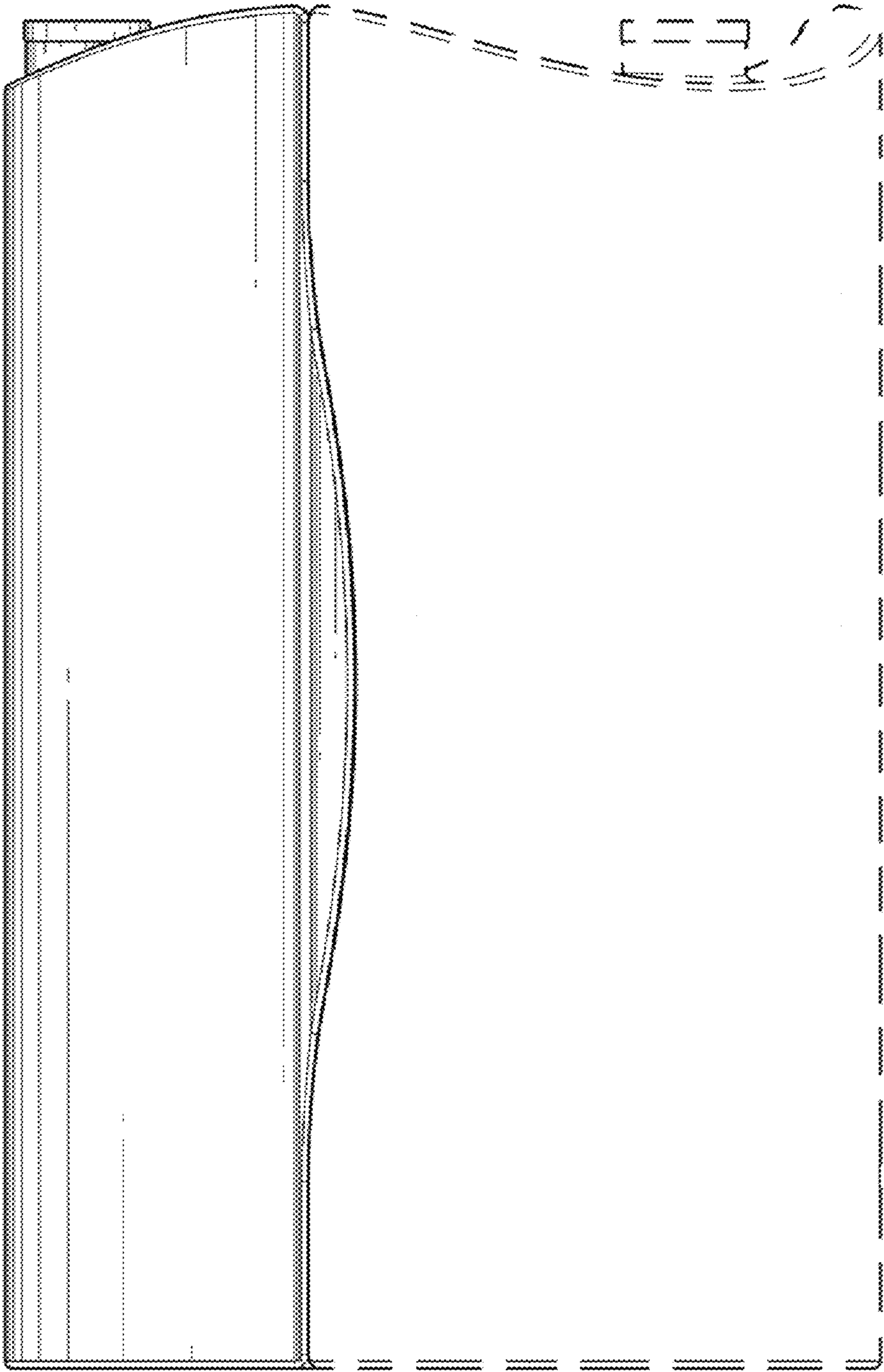


FIG. 11

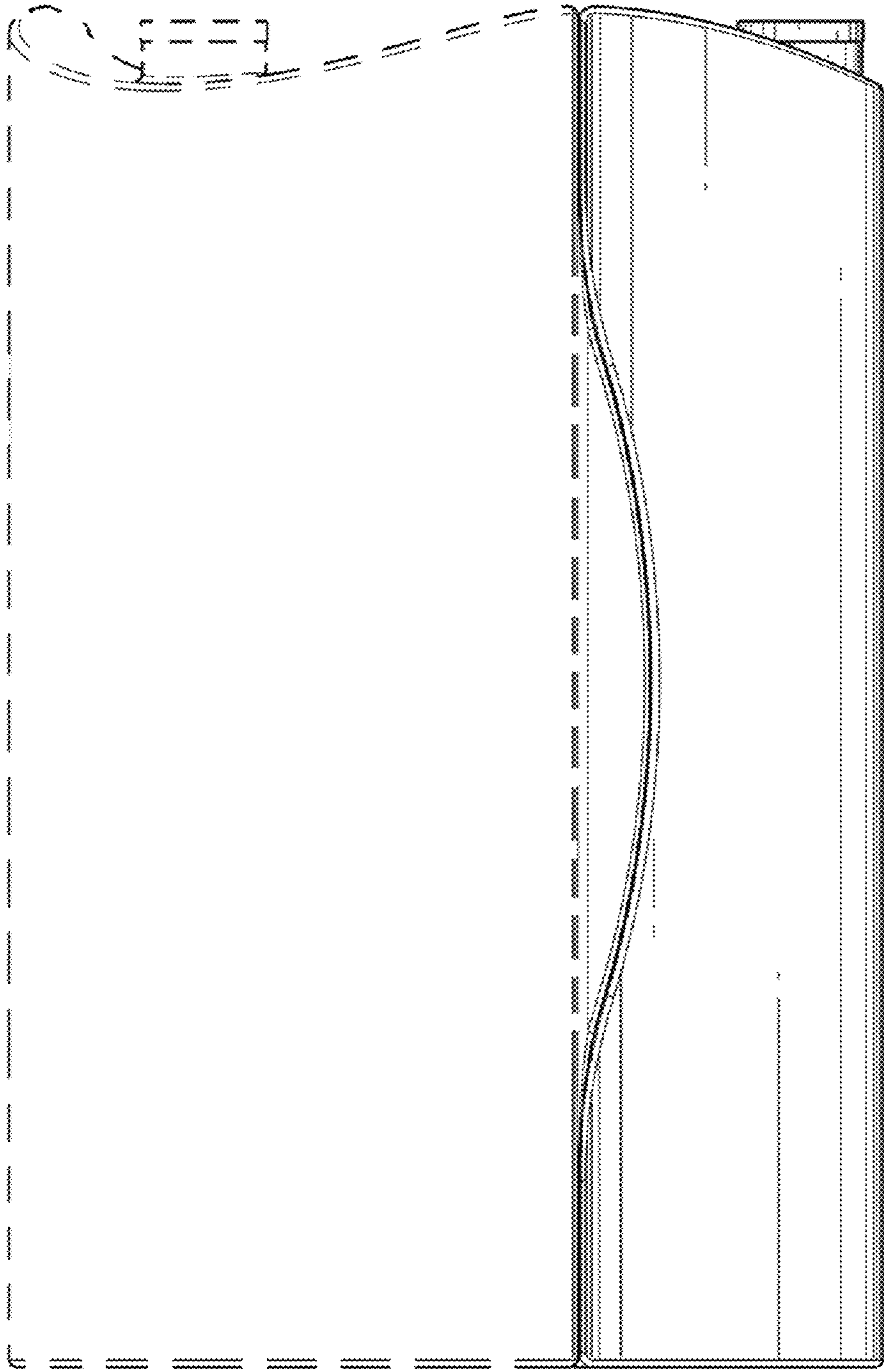


FIG. 12

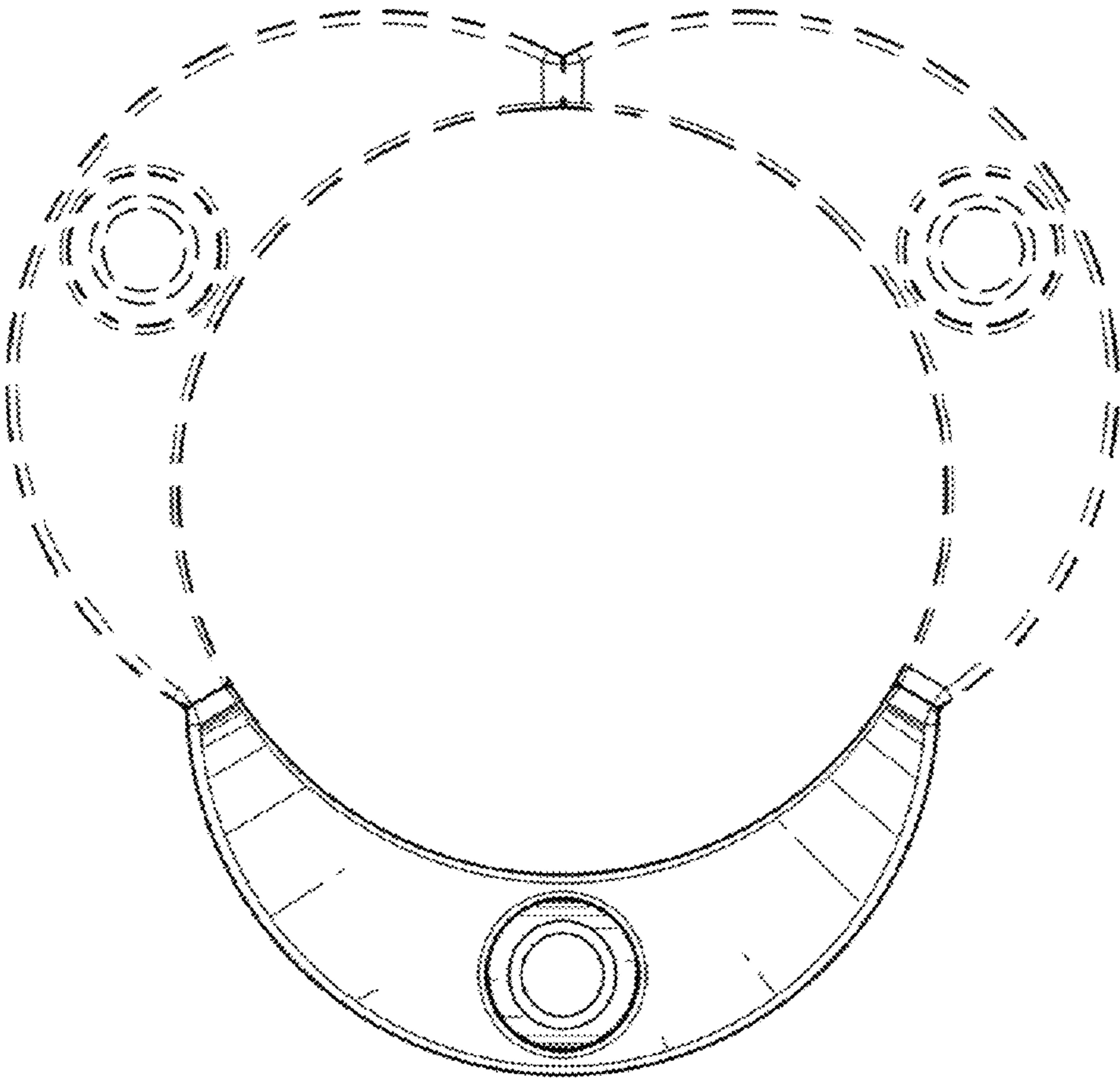


FIG. 13

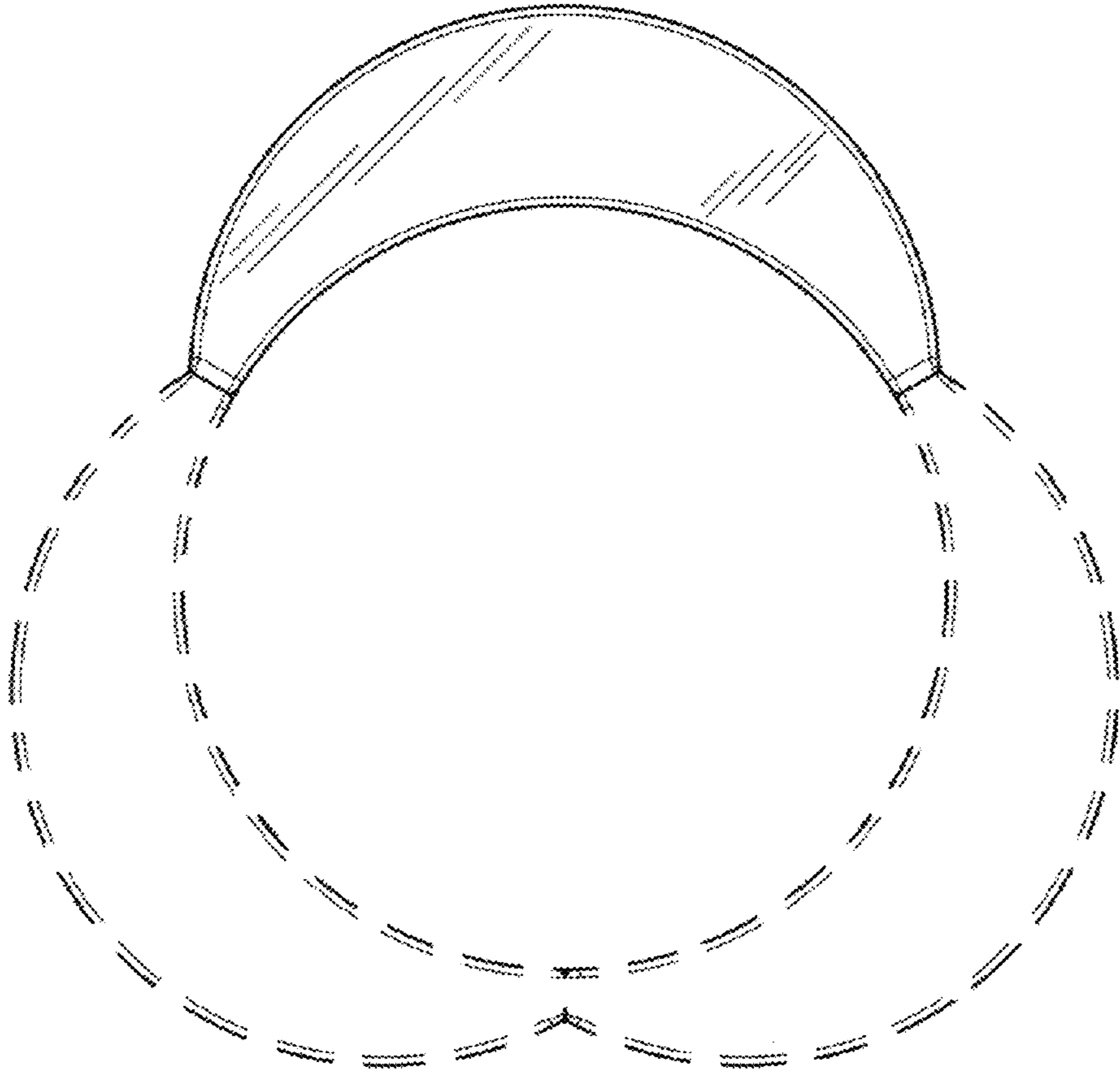


FIG. 14