



US00D706841S

(12) **United States Design Patent**
Shimomura et al.

(10) **Patent No.:** **US D706,841 S**
(45) **Date of Patent:** **** Jun. 10, 2014**

(54) **ENGINE HOOD FOR WORK MACHINE**

(71) Applicant: **Kubota Corporation**, Osaka (JP)

(72) Inventors: **Takashi Shimomura**, Sakai (JP); **Junta Kuwae**, Sakai (JP); **Takahiro Nakatsuka**, Sakai (JP)

(73) Assignee: **Kubota Corporation**, Osaka (JP)

(**) Term: **14 Years**

(21) Appl. No.: **29/444,381**

(22) Filed: **Jan. 30, 2013**

(30) **Foreign Application Priority Data**

Jul. 31, 2012 (JP) 2012-018241

(51) **LOC (10) Cl.** **15-03**

(52) **U.S. Cl.**
USPC **D15/31**

(58) **Field of Classification Search**

USPC D15/10, 11, 13-17, 28, 22-26, 31;
D12/173; 56/13.3, 13.4, 15.8, 15.9,
56/320.1; 180/89.1, 89.12, 900, 69.2,
180/68.1, 69.1

See application file for complete search history.

(56) **References Cited**

U.S. PATENT DOCUMENTS

D246,370 S * 11/1977 Lorenz D15/31
D297,330 S * 8/1988 Monehaie et al. D15/31

D371,372 S * 7/1996 Westimayer et al. D15/31
D381,025 S * 7/1997 Bataille D15/31
D383,470 S * 9/1997 Westimayer et al. D15/31
D389,492 S * 1/1998 Schmidt et al. D15/31
5,803,198 A * 9/1998 Baxter et al. 180/69.21
D413,905 S * 9/1999 Schmidt et al. D15/31
6,167,977 B1 * 1/2001 Adamson et al. 180/69.2
D448,037 S * 9/2001 Westimayer et al. D15/31
D483,383 S * 12/2003 Crookes et al. D15/31
D488,488 S * 4/2004 Montgomery et al. D15/31
D488,489 S * 4/2004 Montgomery et al. D15/31
D554,669 S * 11/2007 Crookes et al. D15/31
D560,693 S * 1/2008 Moen et al. D15/31
D570,382 S * 6/2008 Higashikawa D15/31
D591,777 S * 5/2009 Kokitkar et al. D15/31

* cited by examiner

Primary Examiner — Mark Goodwin

(74) *Attorney, Agent, or Firm* — The Webb Law Firm

(57) **CLAIM**

The ornamental design for an engine hood for work machine, as shown and described.

DESCRIPTION

FIG. 1 is a right side view of an engine hood for work machine showing our new design;

FIG. 2 is a left side view thereof;

FIG. 3 is a front view thereof;

FIG. 4 is a rear view thereof;

FIG. 5 is a top view thereof;

FIG. 6 is a bottom view thereof;

FIG. 7 is an upper right front perspective view thereof; and,

FIG. 8 is an upper left rear perspective view thereof.

1 Claim, 8 Drawing Sheets

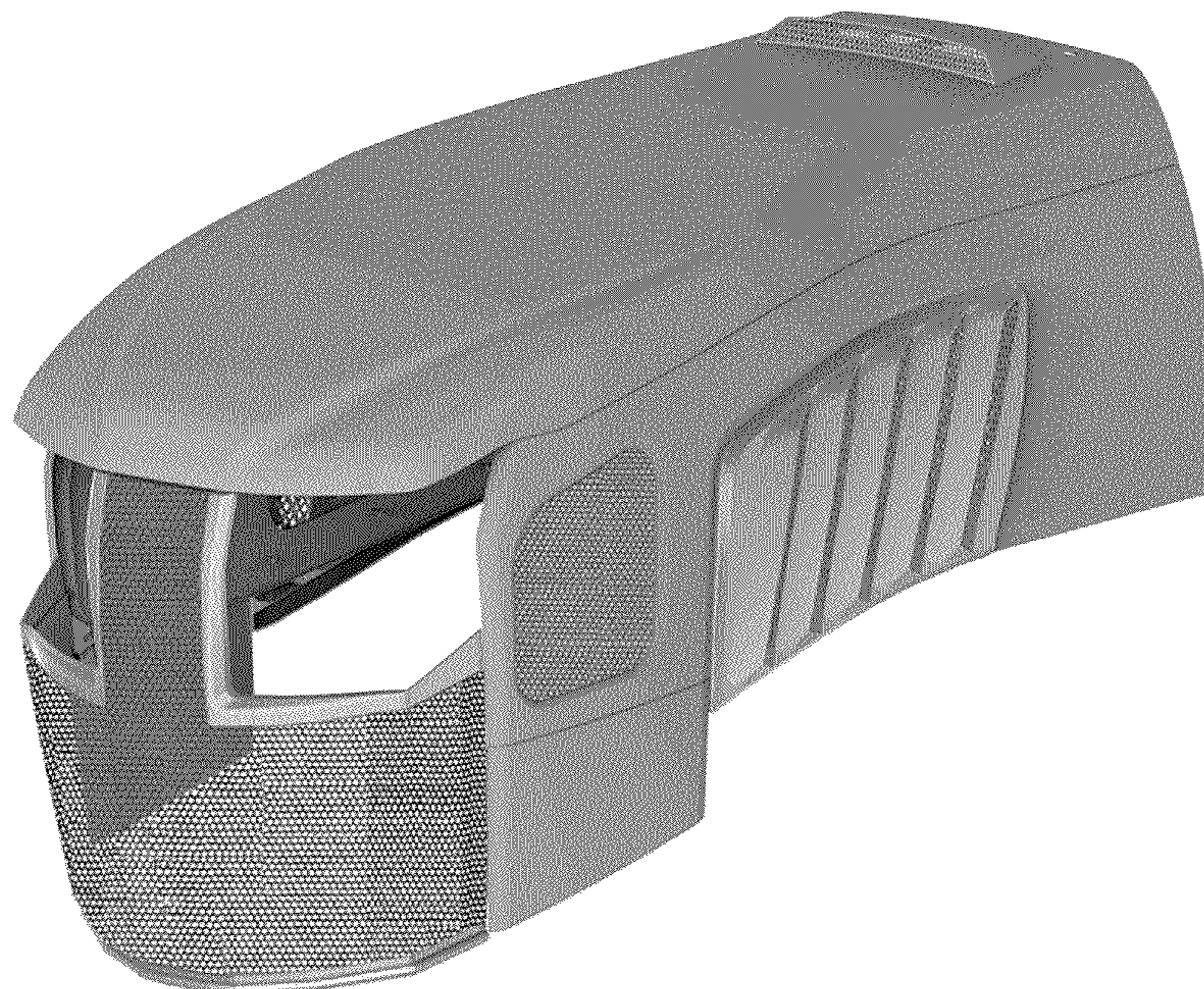


Fig. 1



Fig.2

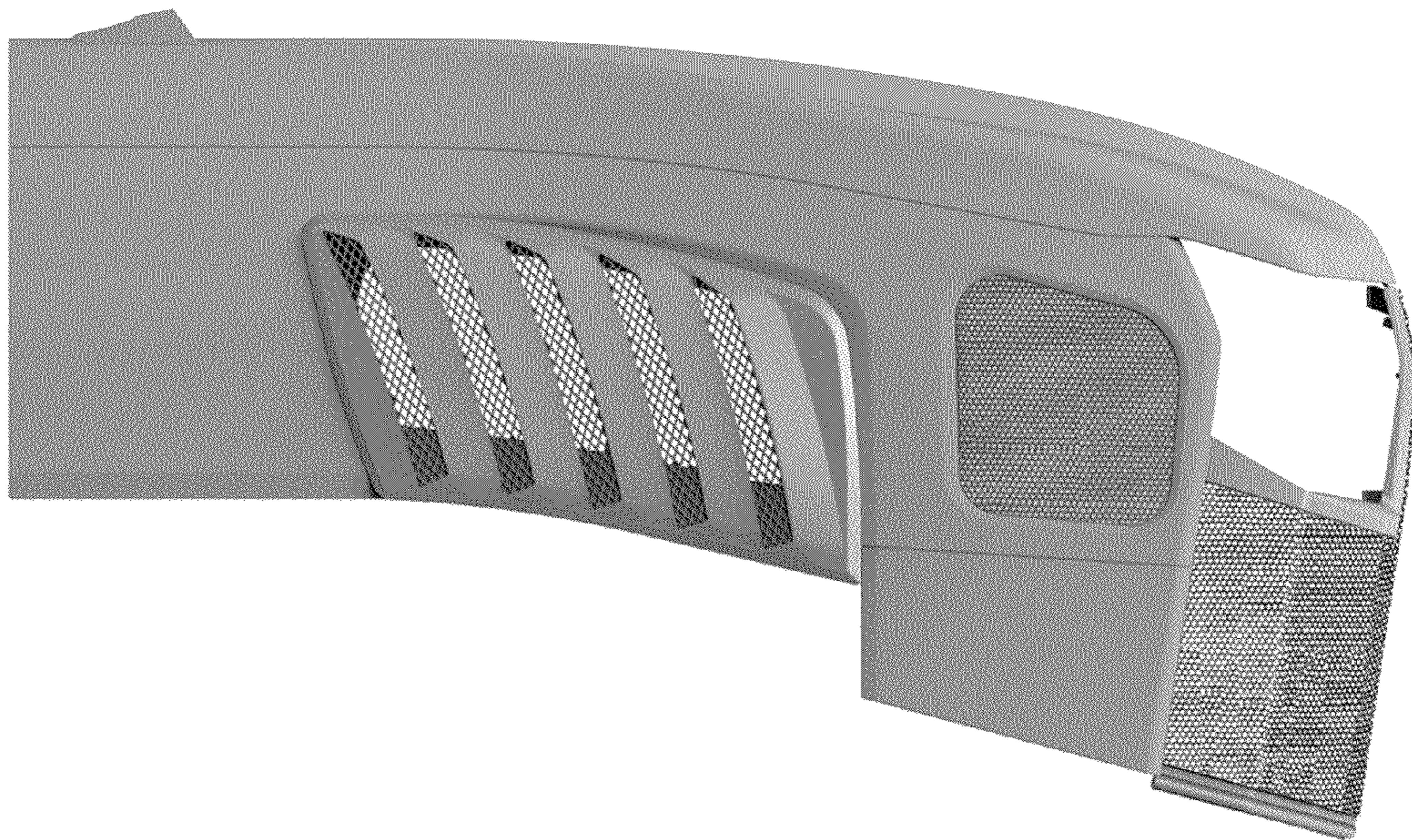


Fig.3



Fig.4



Fig.5

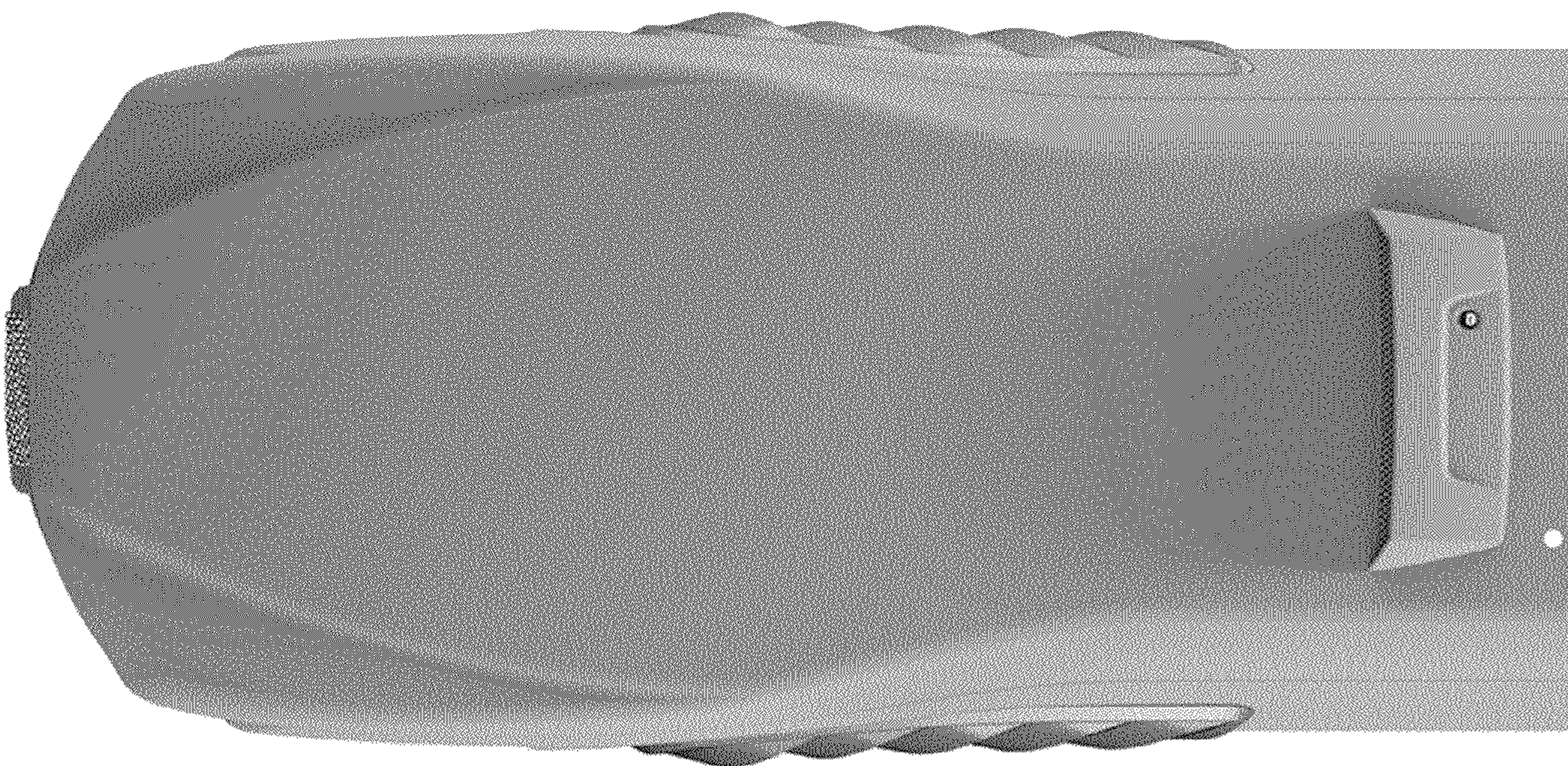


Fig.6



Fig.7



Fig.8

