



US00D706838S

(12) **United States Design Patent**
Higashikawa et al.

(10) **Patent No.:** **US D706,838 S**
(45) **Date of Patent:** **** Jun. 10, 2014**

(54) **PORTION OF A VEHICLE FOR WORK MACHINE**

(71) Applicant: **Kubota Corporation**, Osaka (JP)

(72) Inventors: **Yoshitaka Higashikawa**, Sakai (JP);
Akari Kakudate, Sakai (JP)

(73) Assignee: **Kubota Corporation**, Osaka (JP)

(**) Term: **14 Years**

(21) Appl. No.: **29/446,797**

(22) Filed: **Feb. 27, 2013**

(51) **LOC (10) Cl.** **15-03**

(52) **U.S. Cl.**
USPC **D15/28; D15/15**

(58) **Field of Classification Search**
USPC D15/14, 15, 17, 21-26, 28, 31, 33;
180/89.1, 89.12, 900; 56/15.8, 255,
56/294, 295, 13.3, 13.4, 16.6, 16.7, 17.1,
56/202, 320.1, 320.2

See application file for complete search history.

(56) **References Cited**

U.S. PATENT DOCUMENTS

D242,940 S *	1/1977	Ehrlin et al.	D15/15
D249,267 S *	9/1978	Brackin et al.	D15/15
D271,020 S *	10/1983	Malmberg et al.	D15/15
D326,662 S *	6/1992	Holm et al.	D15/17
D340,459 S *	10/1993	Kawakita et al.	D15/15
D340,936 S *	11/1993	Matsuda et al.	D15/15
D362,447 S *	9/1995	Lamb	D15/15
D363,495 S *	10/1995	Good et al.	D15/15
5,540,037 A *	7/1996	Lamb et al.	56/7
D380,761 S *	7/1997	Saylor	D15/15
D389,490 S *	1/1998	Shimamura et al.	D15/15
D392,981 S *	3/1998	Smith	D15/15
D397,121 S *	8/1998	Smith	D15/15
5,915,496 A *	6/1999	Bednar et al.	180/305
D442,972 S *	5/2001	Wolf	D15/15
D455,156 S *	4/2002	Rittfeldt	D15/10

D538,302 S *	3/2007	Higashikawa	D15/15
D560,690 S *	1/2008	Higashikawa	D15/10
D583,836 S *	12/2008	Matsumoto et al.	D15/28
D584,321 S *	1/2009	Matsumoto et al.	D15/28
D594,885 S *	6/2009	Kuwae et al.	D15/28
D626,572 S *	11/2010	Moriguchi et al.	D15/15
D636,001 S *	4/2011	Martin et al.	D15/33
D637,625 S *	5/2011	Thunstrom et al.	D15/15
D654,512 S *	2/2012	Naslund	D15/17
D656,965 S *	4/2012	Ortlund et al.	D15/17
D669,504 S *	10/2012	Higashikawa	D15/28
D681,685 S *	5/2013	Higashikawa	D15/15
D692,466 S *	10/2013	Takagi et al.	D15/28

* cited by examiner

Primary Examiner — Mark Goodwin

(74) *Attorney, Agent, or Firm* — The Webb Law Firm

(57) **CLAIM**

The ornamental design for a portion of a vehicle for work machine, as shown and described.

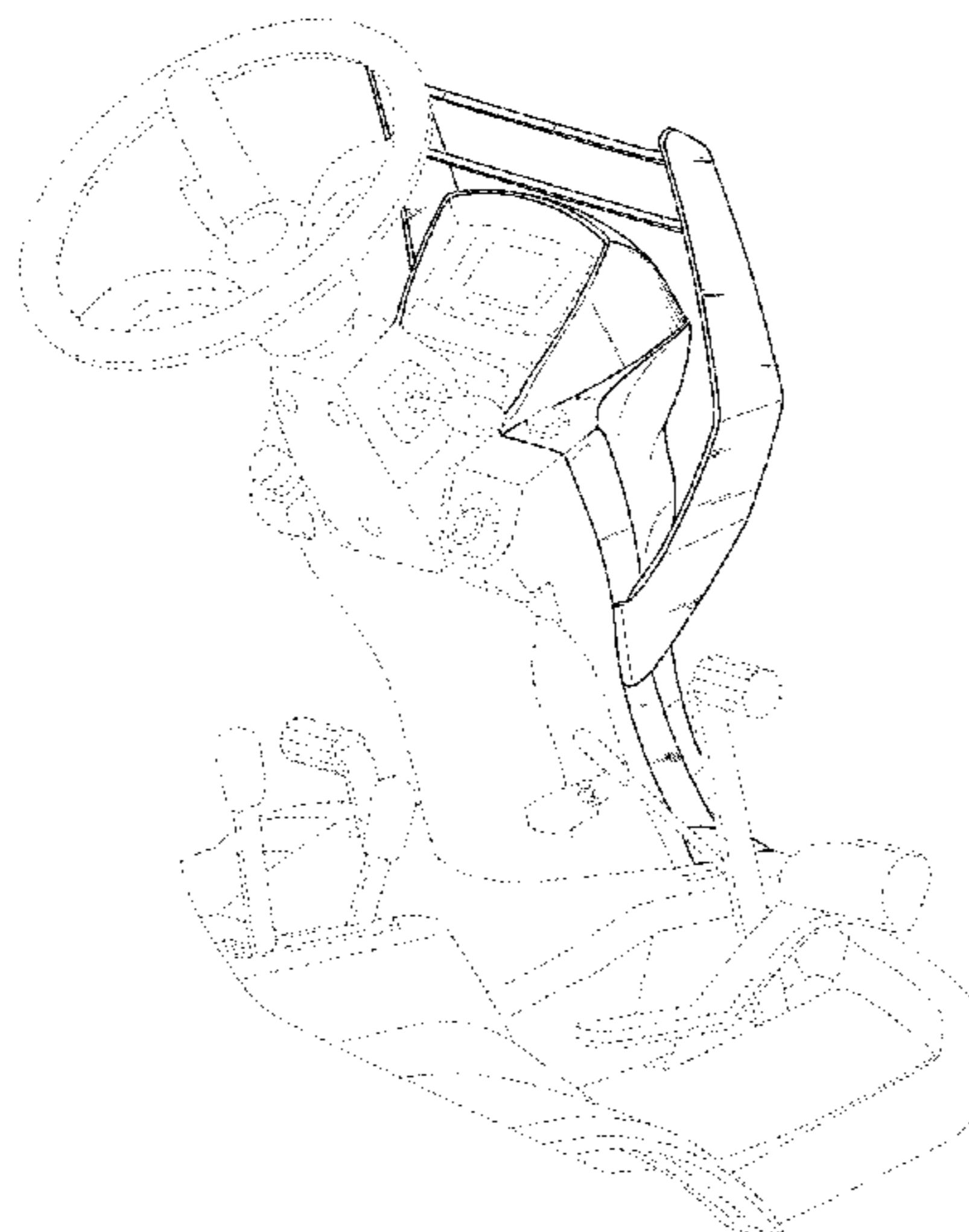
DESCRIPTION

FIG. 1 is a left side view of a portion of a vehicle for work machine showing our new design;
FIG. 2 is a right side view thereof;
FIG. 3 is a front view thereof;
FIG. 4 is a top view thereof;
FIG. 5 is an upper left front perspective view thereof;
FIG. 6 is an upper right rear perspective view thereof;
FIG. 7 is an enlarged top view thereof; and,
FIG. 8 is an enlarged upper left rear perspective view thereof.
A bottom view is omitted because it is plain and unornamental and forms no part of the subject matter of the claimed design.

The broken line showings of FIGS. 1-8 are environmental only and not part of the claimed design.

The dashed-dotted line showings of FIGS. 3-5, and 7 illustrate a boundary between the claimed design and environmental features.

1 Claim, 8 Drawing Sheets



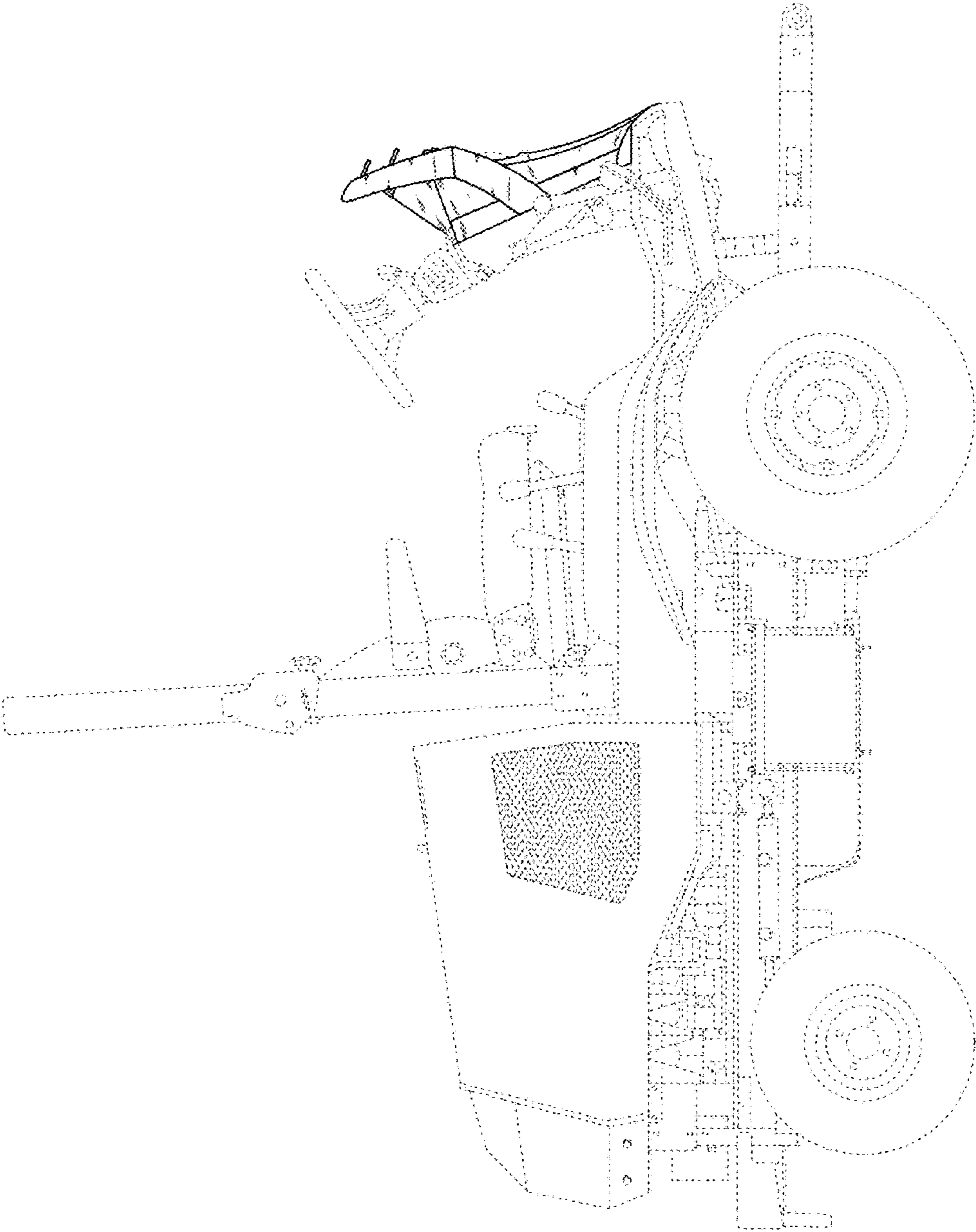


FIG. 1

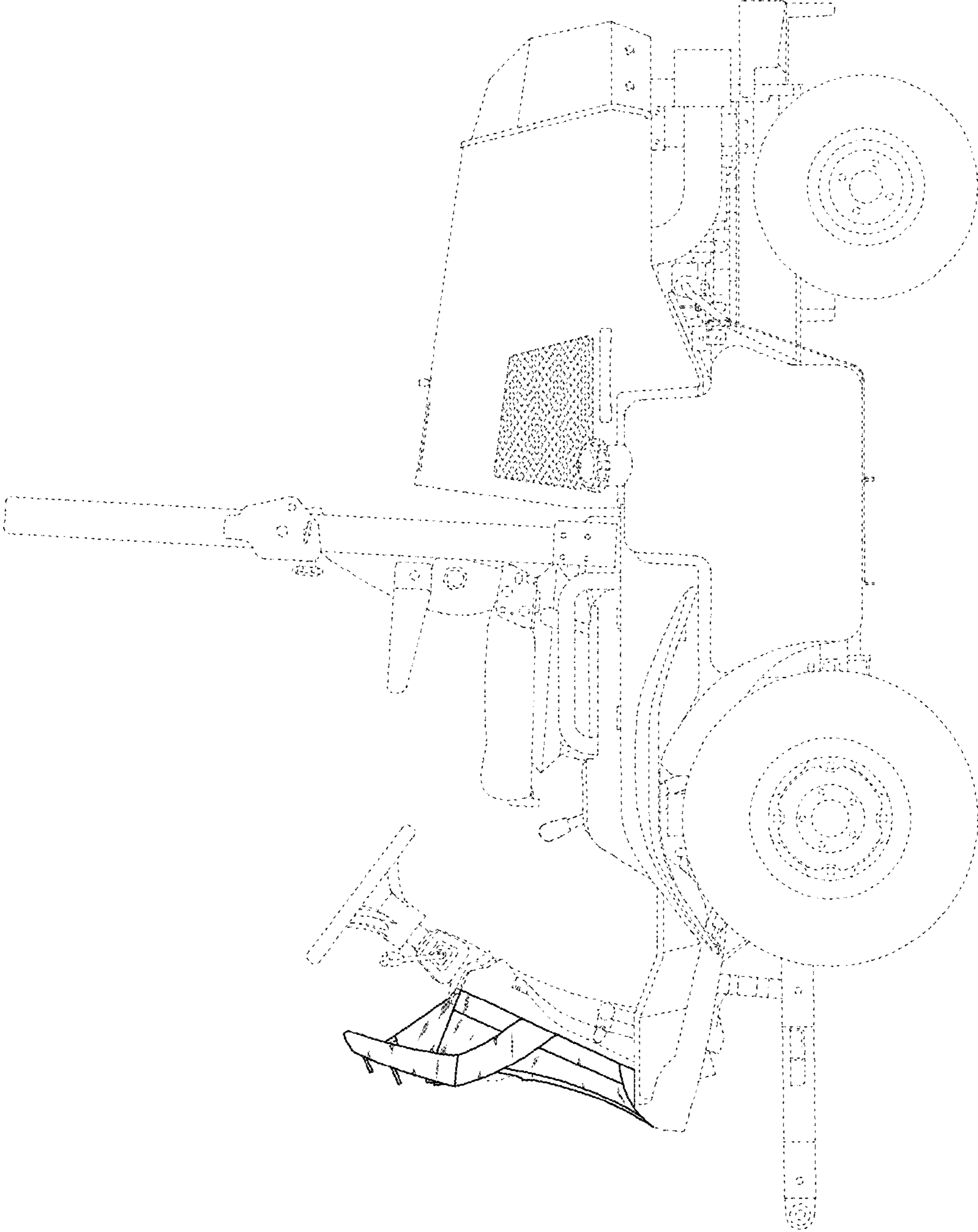


FIG. 2

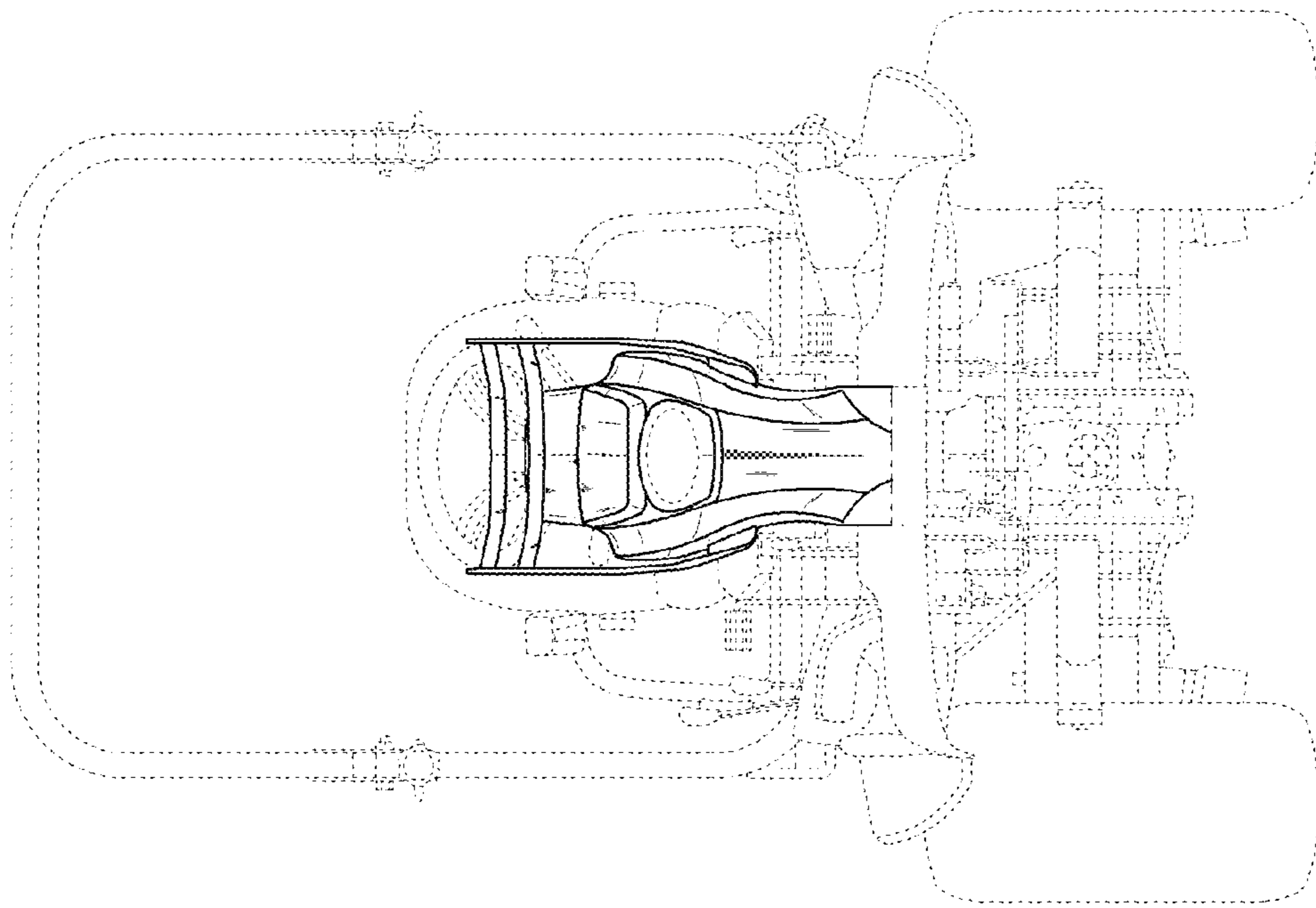


FIG. 3

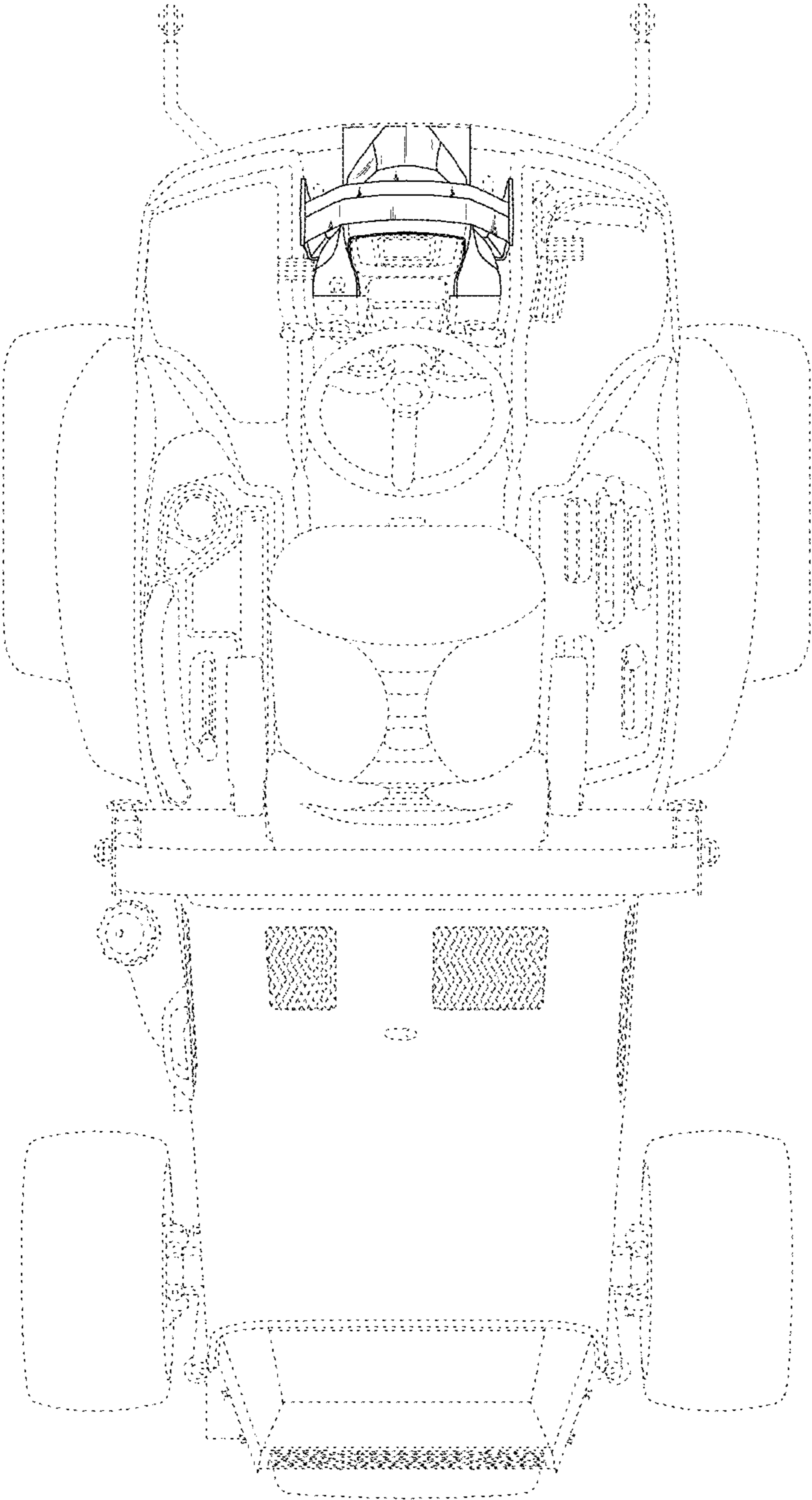


FIG. 4

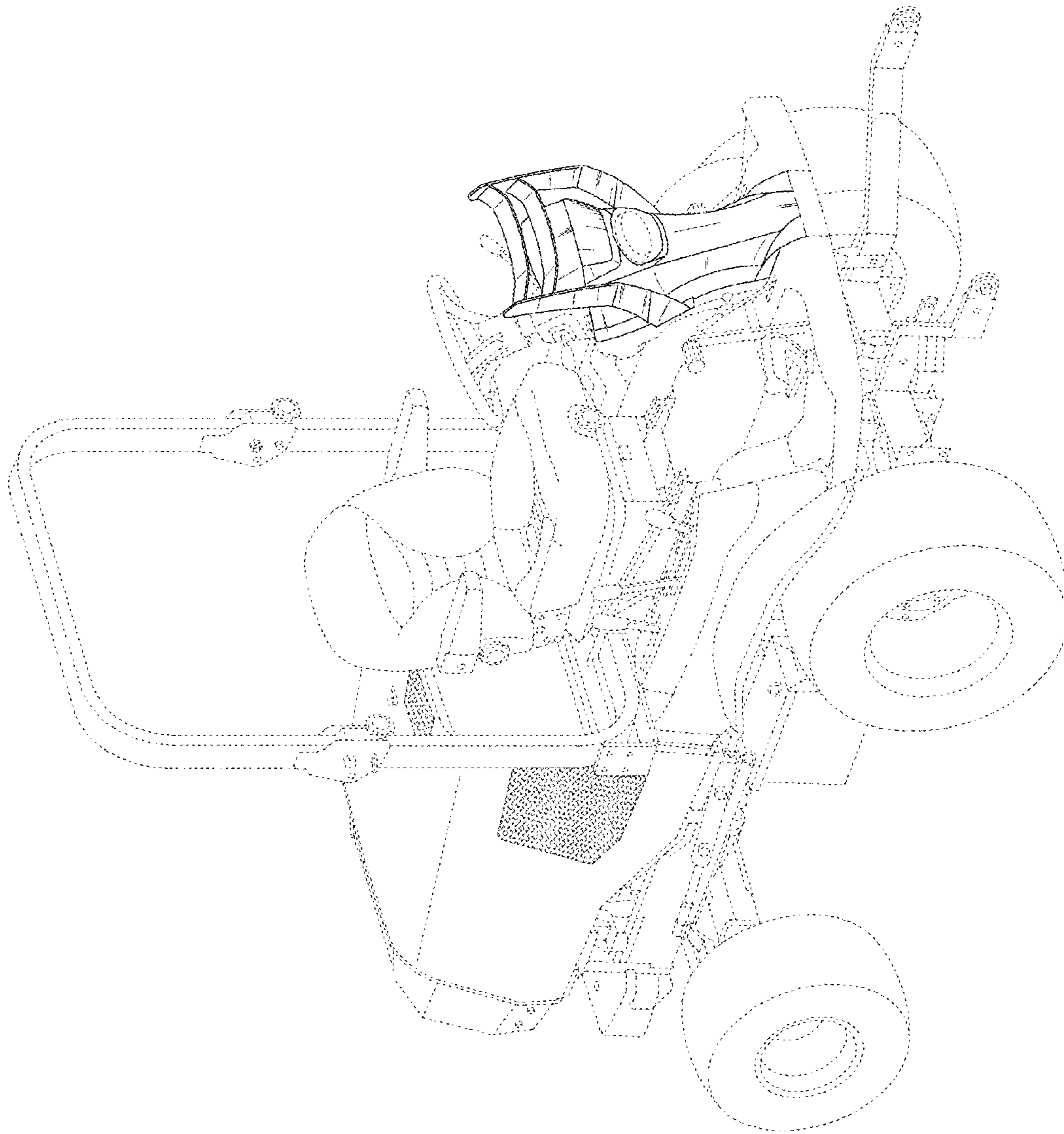


FIG. 5

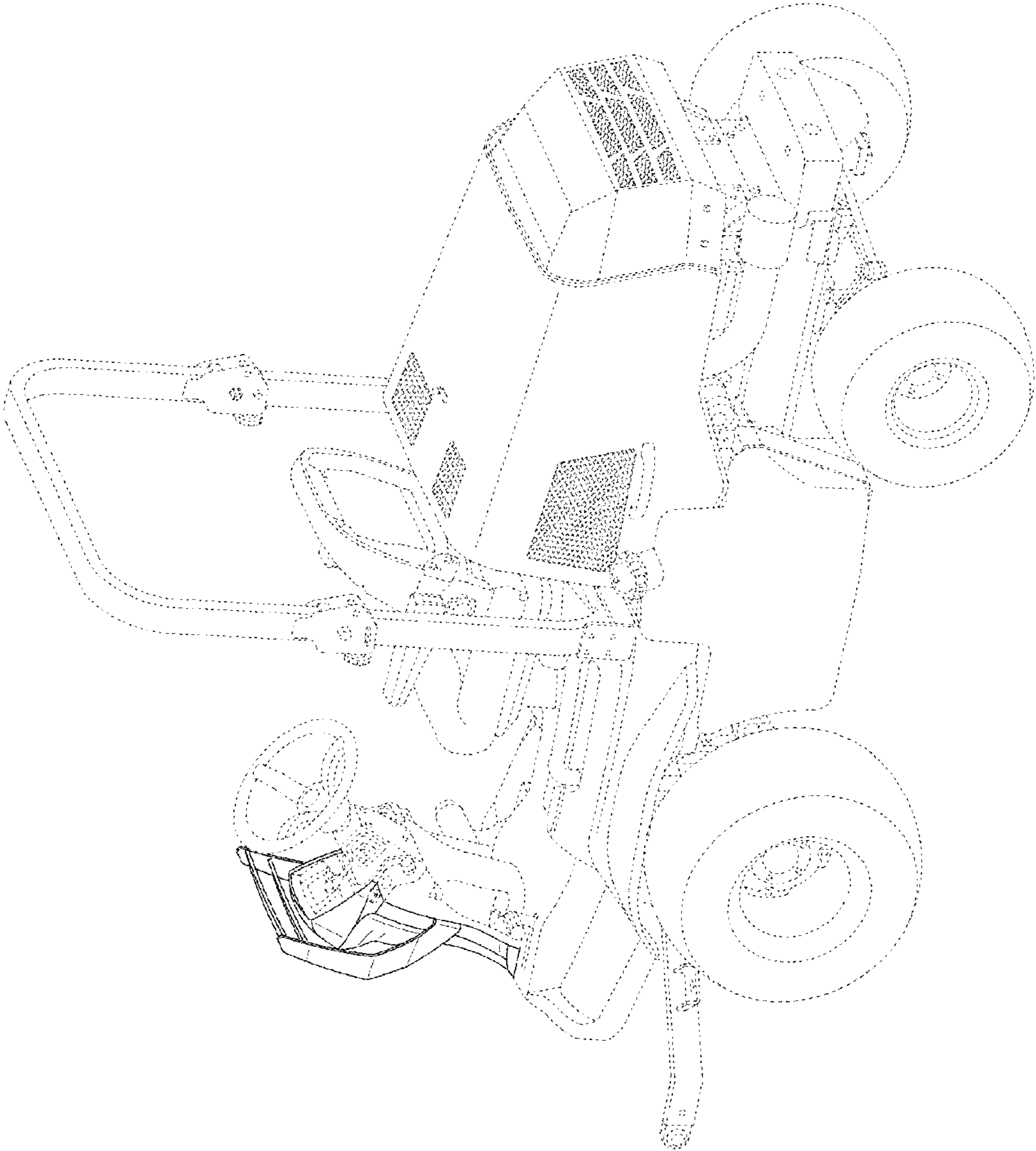


FIG. 6

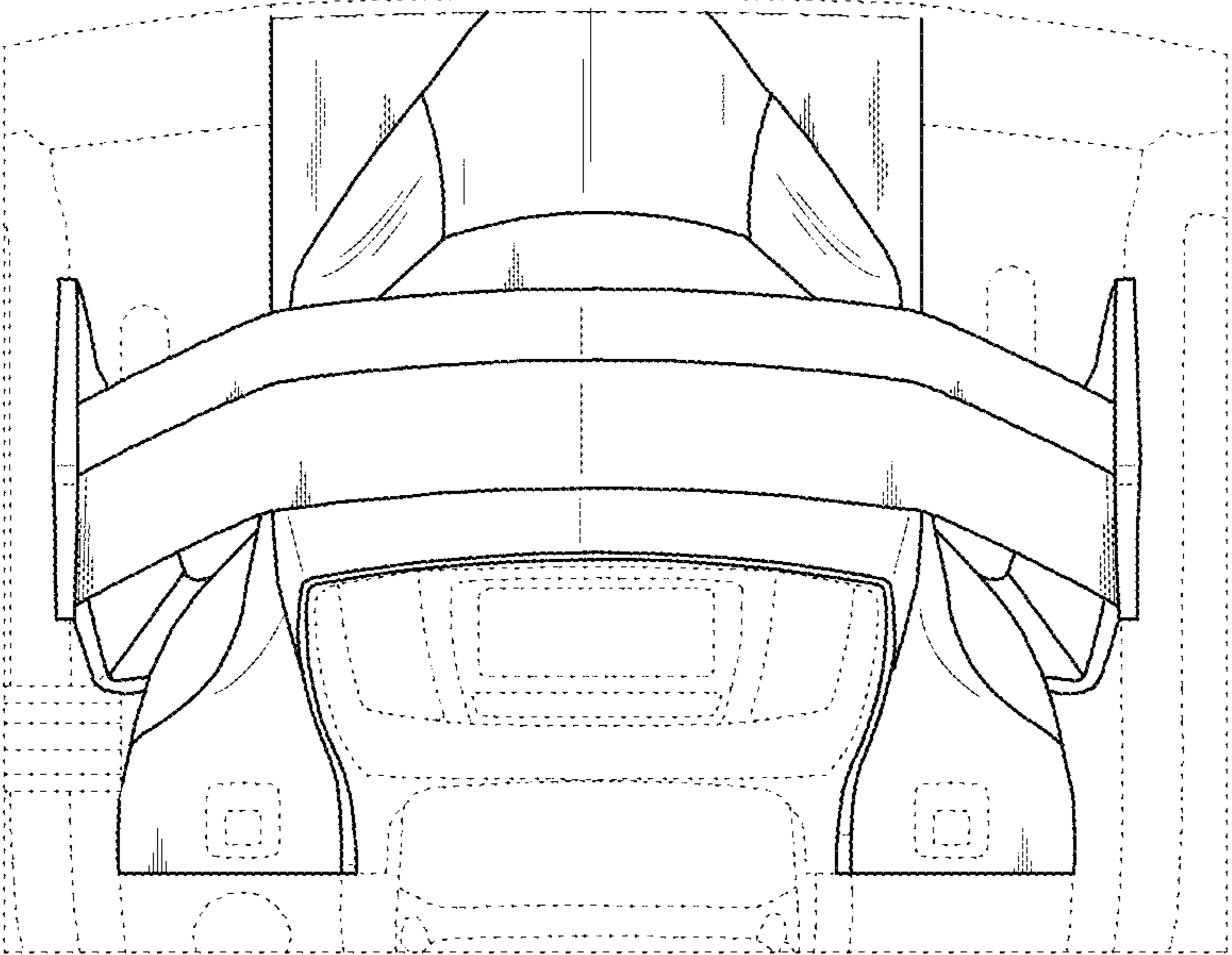


FIG. 7

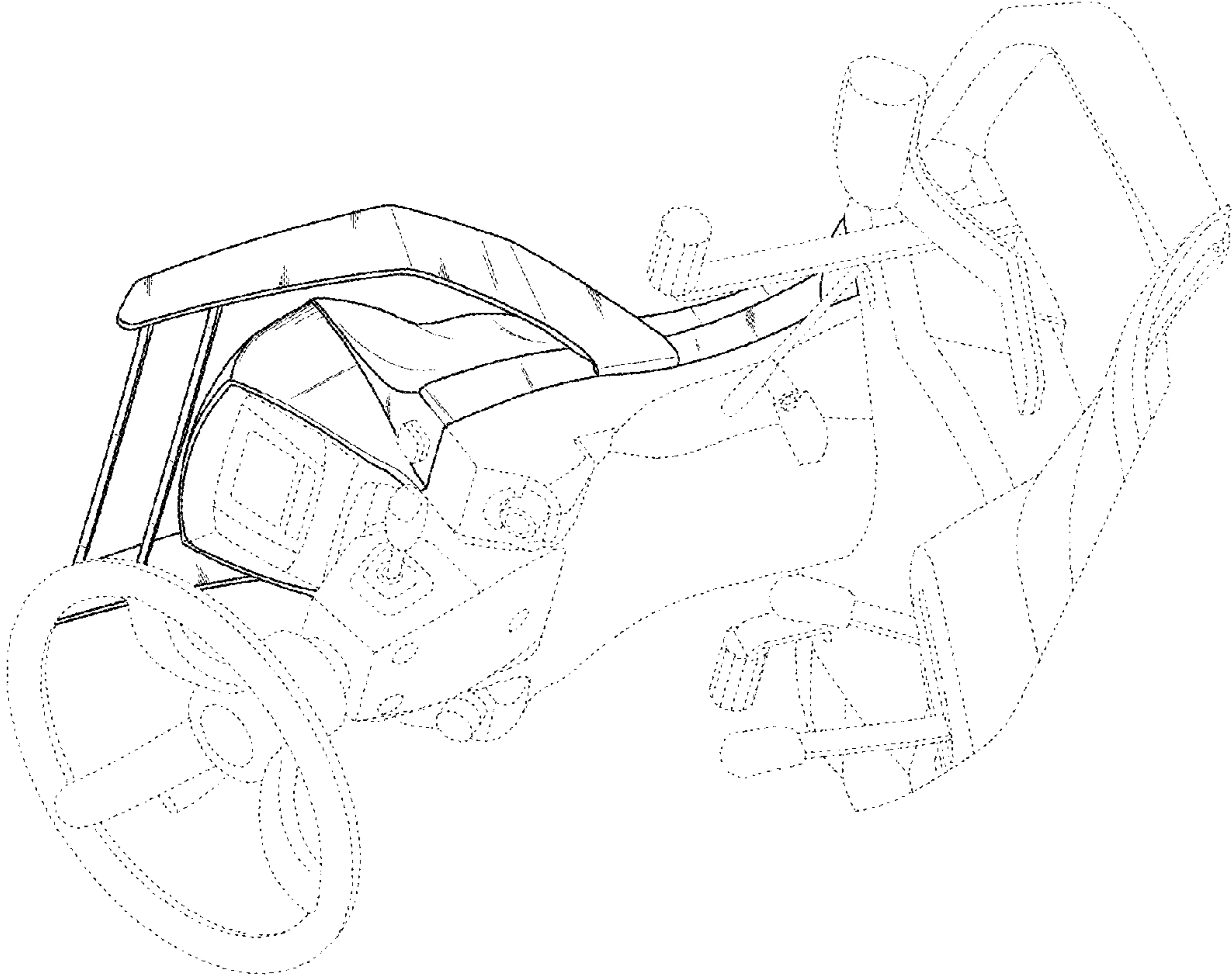


FIG. 8