



US00D706837S

(12) **United States Design Patent**  
**Takagi et al.**

(10) **Patent No.:** **US D706,837 S**  
(45) **Date of Patent:** **\*\* Jun. 10, 2014**

(54) **TRACTOR**

(71) Applicant: **Iseki & Co., Ltd.**, Matsuyama (JP)

(72) Inventors: **Makoto Takagi**, Iyo-gun (JP); **Kouji Joukou**, Iyo-gun (JP)

(73) Assignee: **Iseki & Co., Ltd.** (JP)

(\*\*) Term: **14 Years**

(21) Appl. No.: **29/470,766**

(22) Filed: **Oct. 24, 2013**

(30) **Foreign Application Priority Data**

Apr. 24, 2013 (JP) ..... 2013-009225

(51) **LOC (10) Cl.** ..... **12-09**

(52) **U.S. Cl.**  
USPC ..... **D15/23**

(58) **Field of Classification Search**  
USPC ..... D15/10, 14-17, 22-26, 28, 30, 31;  
D12/173; 56/13.4, 13.3, 15.8, 15.9,  
56/16.1, 16.7, 175, 202, 320.1; 180/89.1,  
180/89.12, 900, 69.2, 68.1, 69.1  
See application file for complete search history.

(56) **References Cited**

**U.S. PATENT DOCUMENTS**

D247,624 S \* 3/1978 Emundts et al. .... D15/23  
D256,017 S \* 7/1980 Emundts et al. .... D15/23  
D274,524 S \* 7/1984 Koval et al. .... D15/23  
D355,423 S \* 2/1995 Woods et al. .... D15/23  
D438,546 S \* 3/2001 Katoh et al. .... D15/23  
D498,245 S \* 11/2004 Kuwae et al. .... D15/23  
D501,487 S \* 2/2005 Katoh et al. .... D15/23

D519,130 S \* 4/2006 Higashikawa et al. .... D15/23  
D527,026 S \* 8/2006 Kuwae et al. .... D15/23  
D547,333 S \* 7/2007 Nishi et al. .... D15/23  
D553,159 S \* 10/2007 Higashikawa et al. .... D15/23  
D555,674 S \* 11/2007 Kuwae et al. .... D15/23  
D564,544 S \* 3/2008 Higashikawa et al. .... D15/23  
D581,953 S \* 12/2008 Matsumoto et al. .... D15/23  
D599,826 S \* 9/2009 Kuwae ..... D15/26  
D602,047 S \* 10/2009 Kushita et al. .... D15/23  
D605,668 S \* 12/2009 Matsumoto et al. .... D15/23  
D613,313 S \* 4/2010 Bhanuprakash ..... D15/23  
D613,776 S \* 4/2010 Bianco et al. .... D15/33  
D613,777 S \* 4/2010 Bianco et al. .... D15/33  
D641,027 S \* 7/2011 Kawashiri et al. .... D15/23

**FOREIGN PATENT DOCUMENTS**

JP D1352032 2/2009  
JP D1473420 6/2013

\* cited by examiner

*Primary Examiner* — Mark Goodwin

(74) *Attorney, Agent, or Firm* — Banner & Witcoff, Ltd.

(57) **CLAIM**

The ornamental design for a tractor, as shown and described.

**DESCRIPTION**

FIG. 1 is a perspective view of the front and left side of a tractor showing our new design;  
FIG. 2 is a front view thereof;  
FIG. 3 is a rear view thereof;  
FIG. 4 is a left side view thereof;  
FIG. 5 is a right side view thereof; and,  
FIG. 6 is a top view thereof.  
The bottom view of the tractor is omitted because it is unornamented and forms no part of the claimed design.

**1 Claim, 6 Drawing Sheets**





FIG. 1



FIG. 2

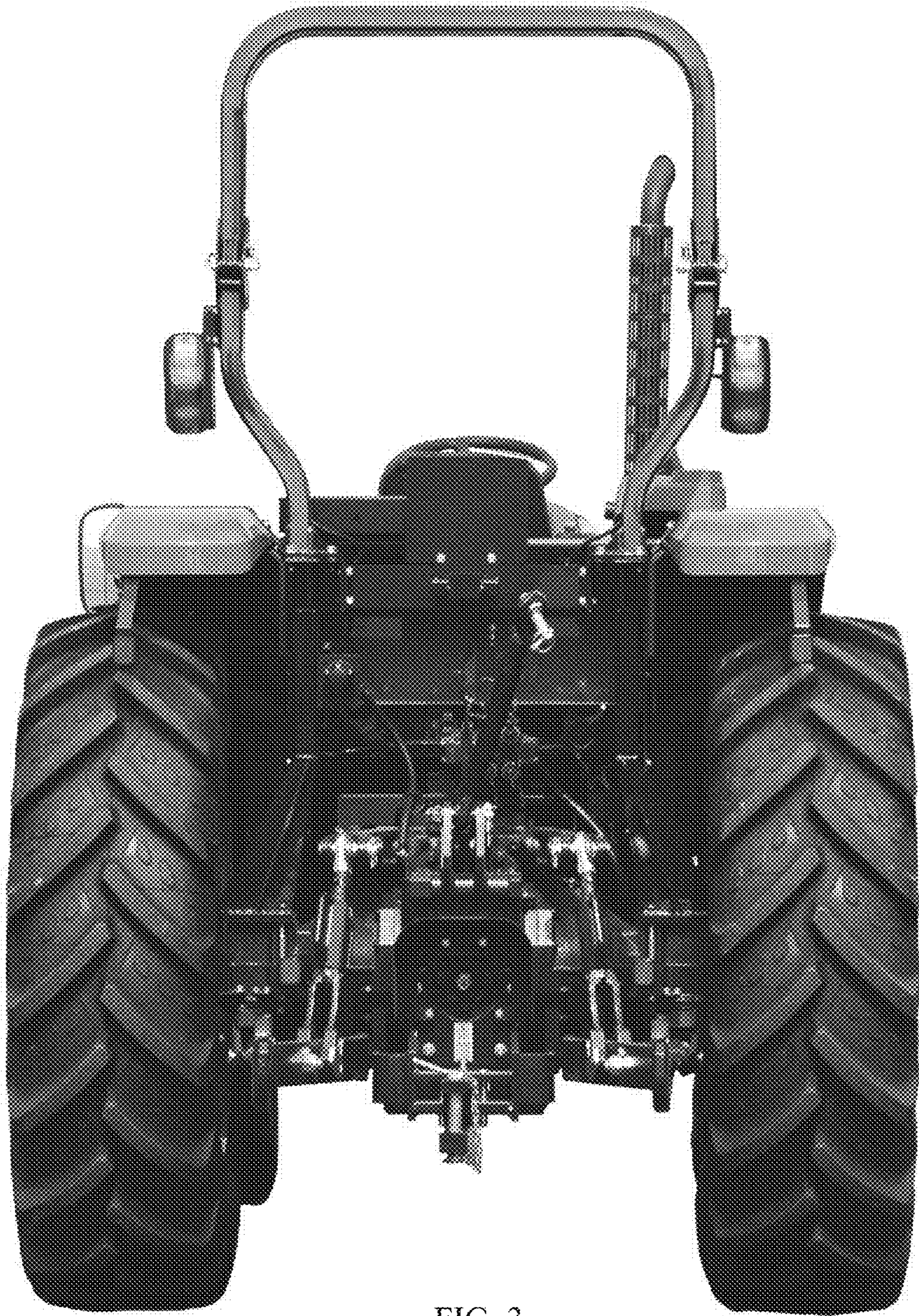


FIG. 3

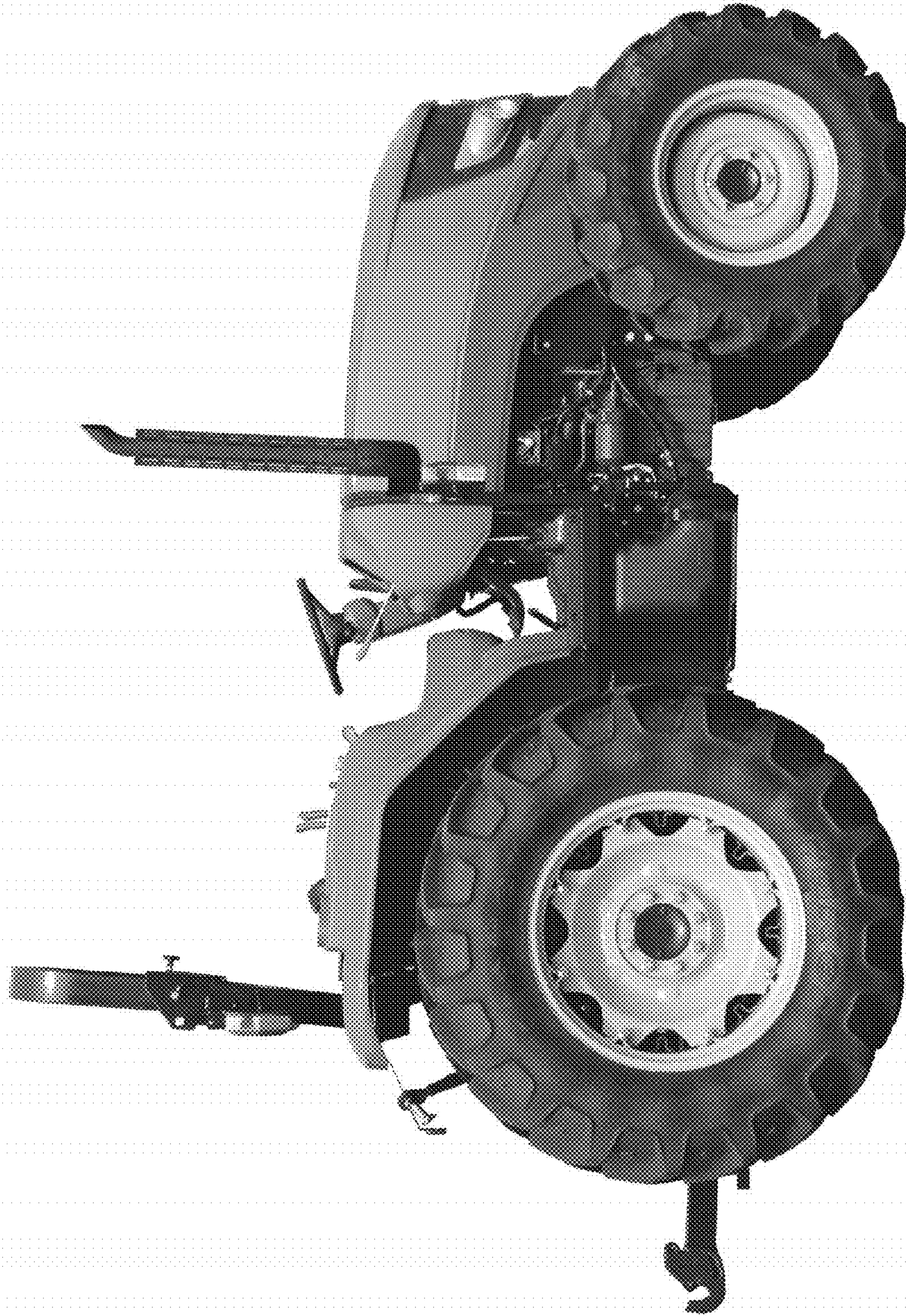


FIG. 4

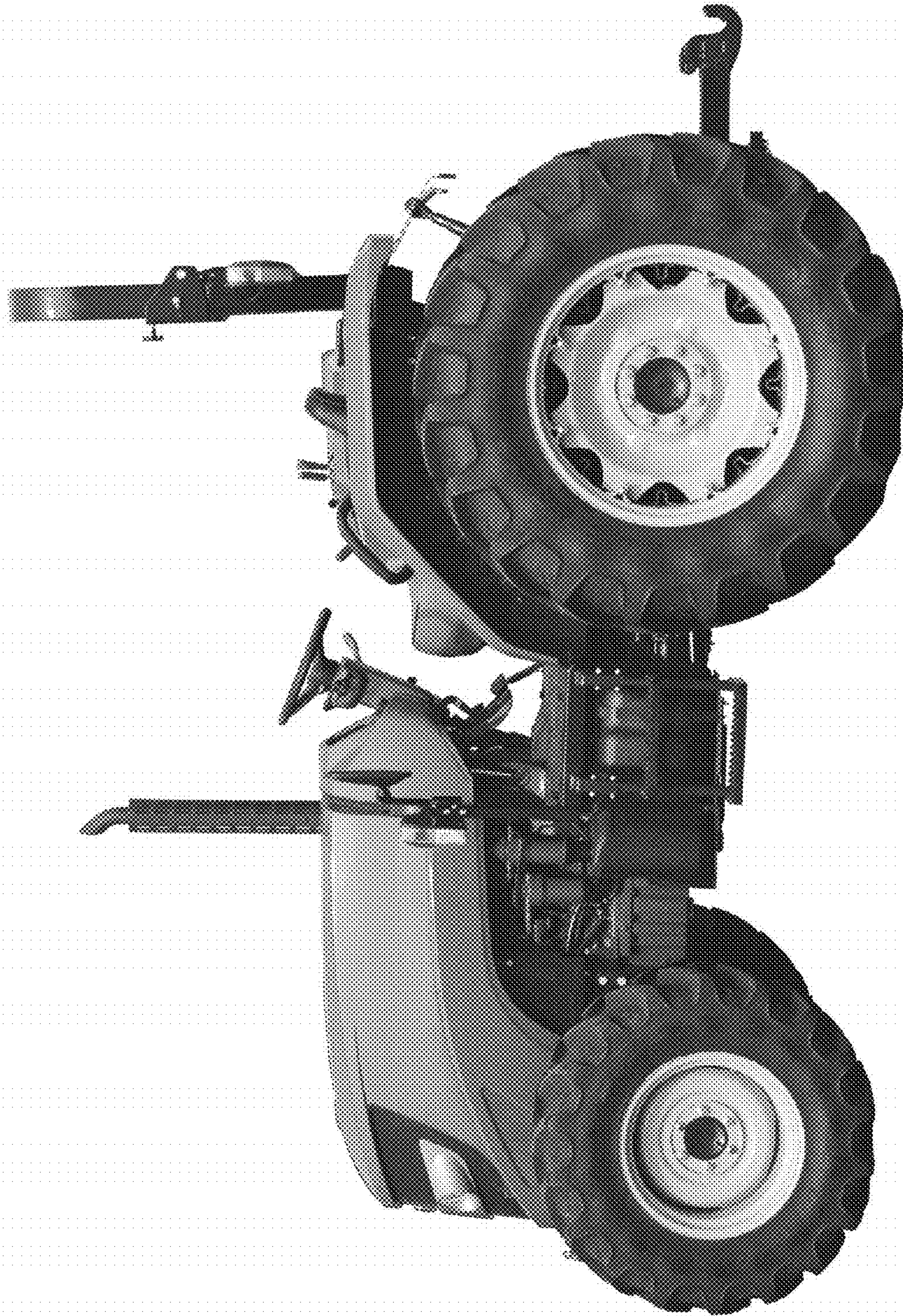


FIG. 5

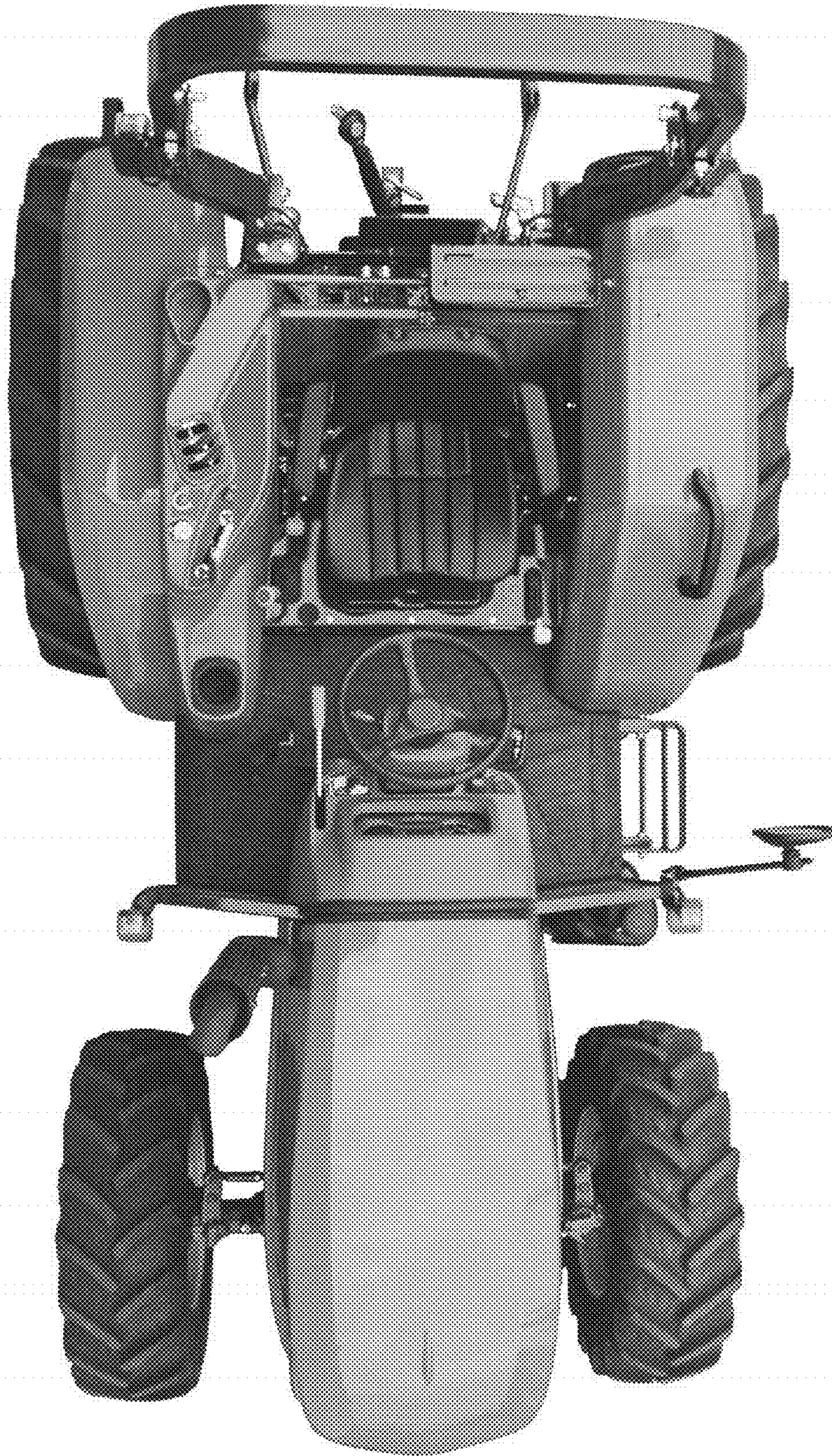


FIG. 6