



US00D706836S

(12) **United States Design Patent**  
**Giordano et al.**

(10) **Patent No.:** **US D706,836 S**  
(45) **Date of Patent:** **\*\* Jun. 10, 2014**

(54) **PUMP HEAD AND PUMP MOTOR HOUSING**

(71) Applicants: **Renato Giordano**, San Juan Capistrano, CA (US); **Hristo Georgiev Fiziev**, Laguna Niguel, CA (US)

(72) Inventors: **Renato Giordano**, San Juan Capistrano, CA (US); **Hristo Georgiev Fiziev**, Laguna Niguel, CA (US)

(\*\*) Term: **14 Years**

(21) Appl. No.: **29/471,734**

(22) Filed: **Nov. 4, 2013**

(51) **LOC (10) Cl.** ..... **15-02**

(52) **U.S. Cl.**  
USPC ..... **D15/15**

(58) **Field of Classification Search**  
USPC ..... D15/7-9; D23/231, 232; 417/410.1, 417/359, 415-416, 234, 321, 265, 405  
See application file for complete search history.

(56) **References Cited**

**U.S. PATENT DOCUMENTS**

- D252,685 S \* 8/1979 Johnston ..... D15/7
- D271,976 S \* 12/1983 Brown ..... D15/7
- D322,970 S \* 1/1992 Webb ..... D15/9.1
- D377,178 S \* 1/1997 Kotlarek et al. .... D15/9

- D442,607 S \* 5/2001 Bauck ..... D15/7
- D498,480 S \* 11/2004 Tsai ..... D15/7
- D644,666 S \* 9/2011 Fukano et al. .... D15/7
- D645,058 S \* 9/2011 Benoit ..... D15/9

\* cited by examiner

*Primary Examiner* — Ralf Seifert

(57) **CLAIM**

The ornamental design for a pump head and pump motor housing, as shown and described.

**DESCRIPTION**

FIG. 1 is a perspective front view of a pump head and pump motor housing;

FIG. 2 is a front elevation view of a pump head and pump motor housing;

FIG. 3 is a rear elevation view of a pump head and pump motor housing;

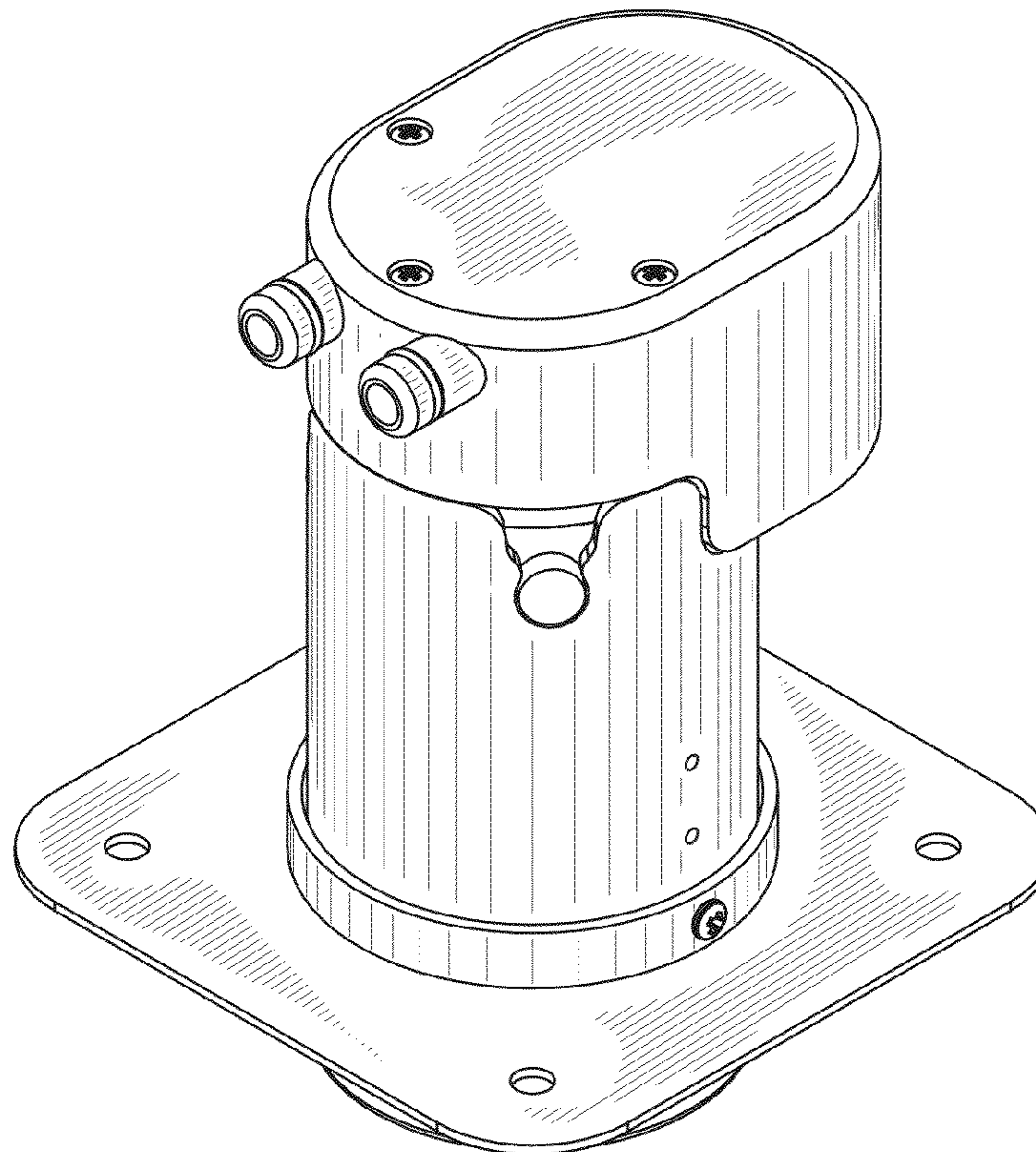
FIG. 4 is a right elevation view of a pump head and pump motor housing;

FIG. 5 is a left elevation view of a pump head and pump motor housing;

FIG. 6 is a top elevation view of a pump head and pump motor housing; and,

FIG. 7 is a bottom elevation view of a pump head and pump motor housing.

**1 Claim, 3 Drawing Sheets**



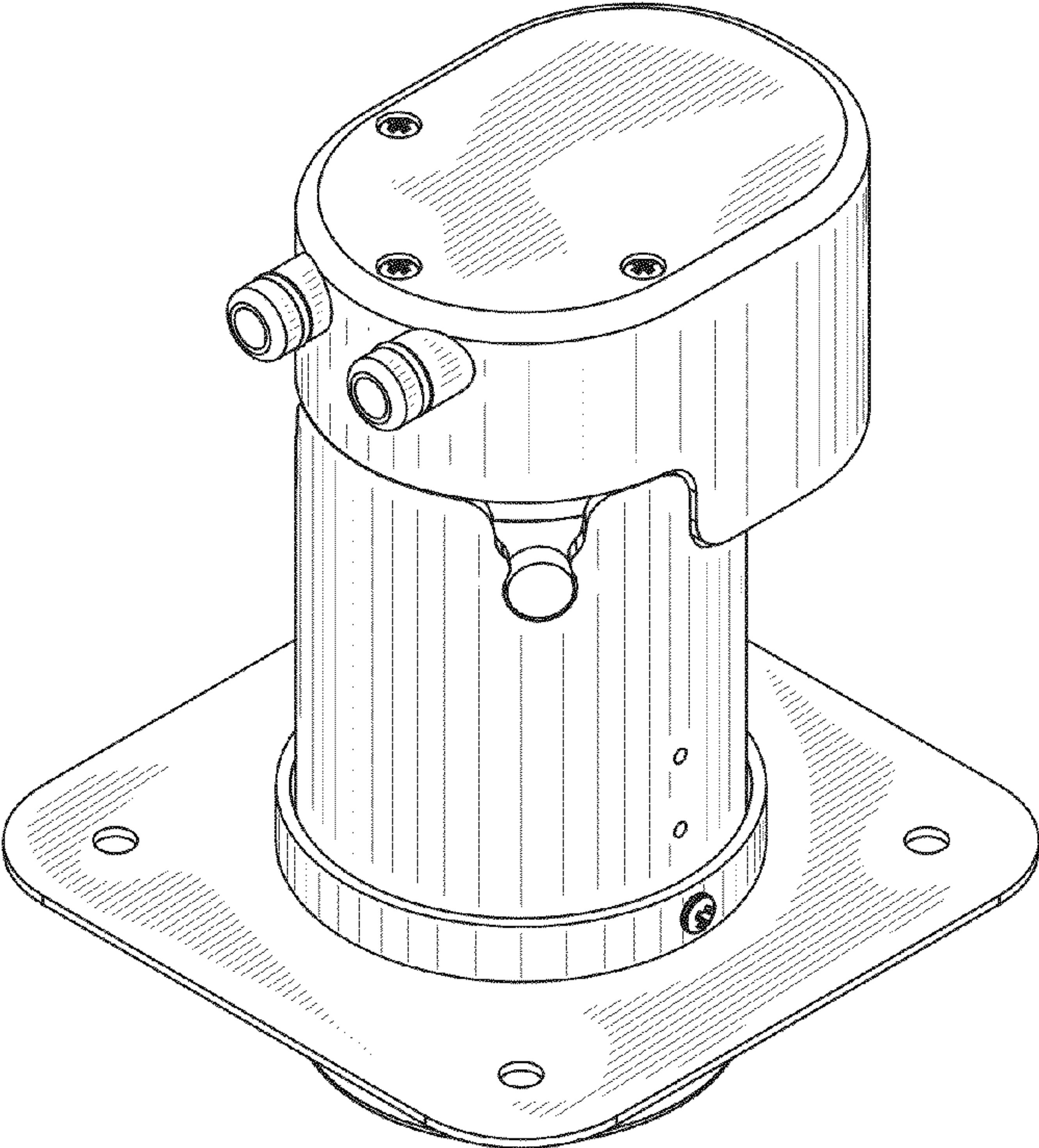


FIG. 1

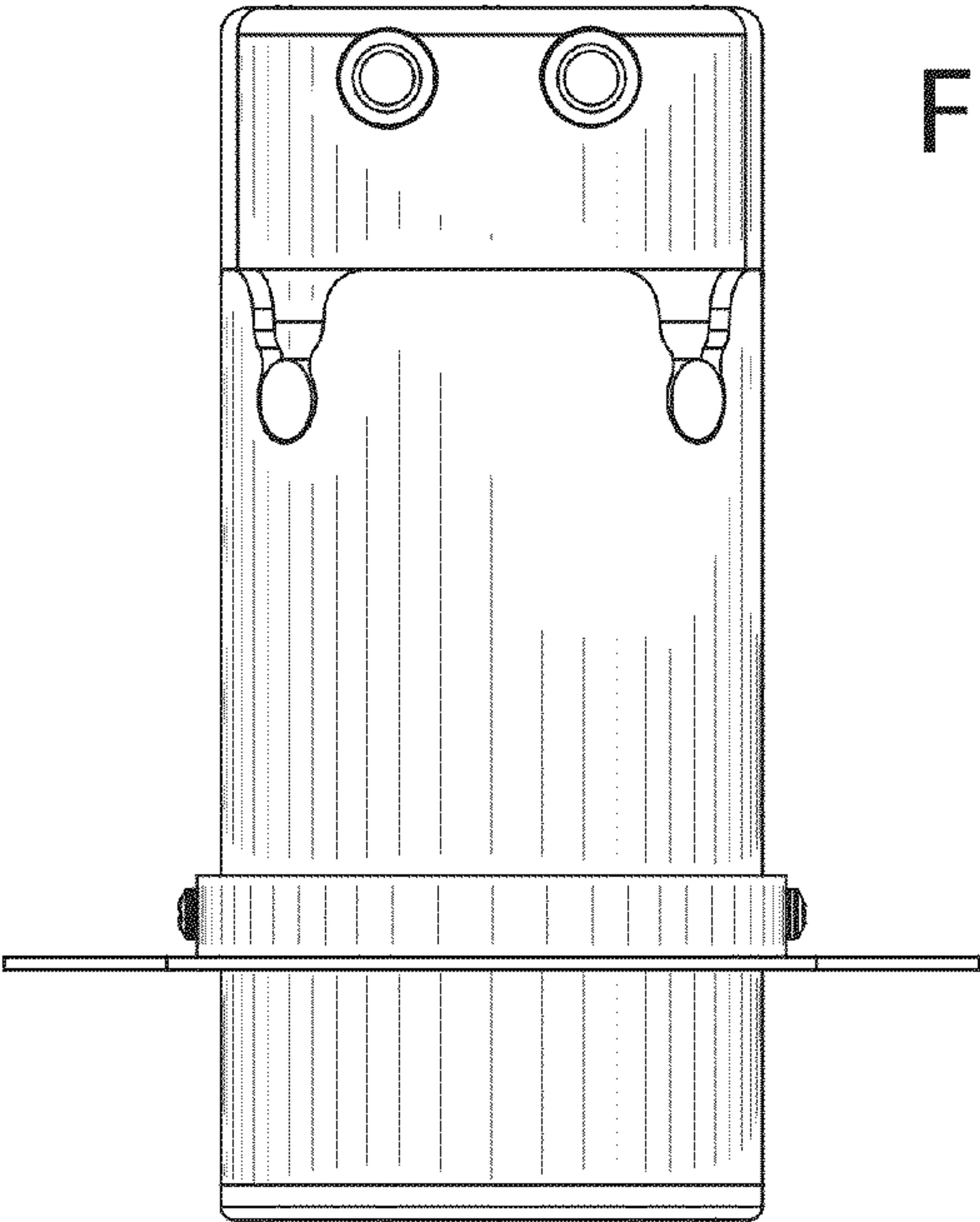


FIG. 2

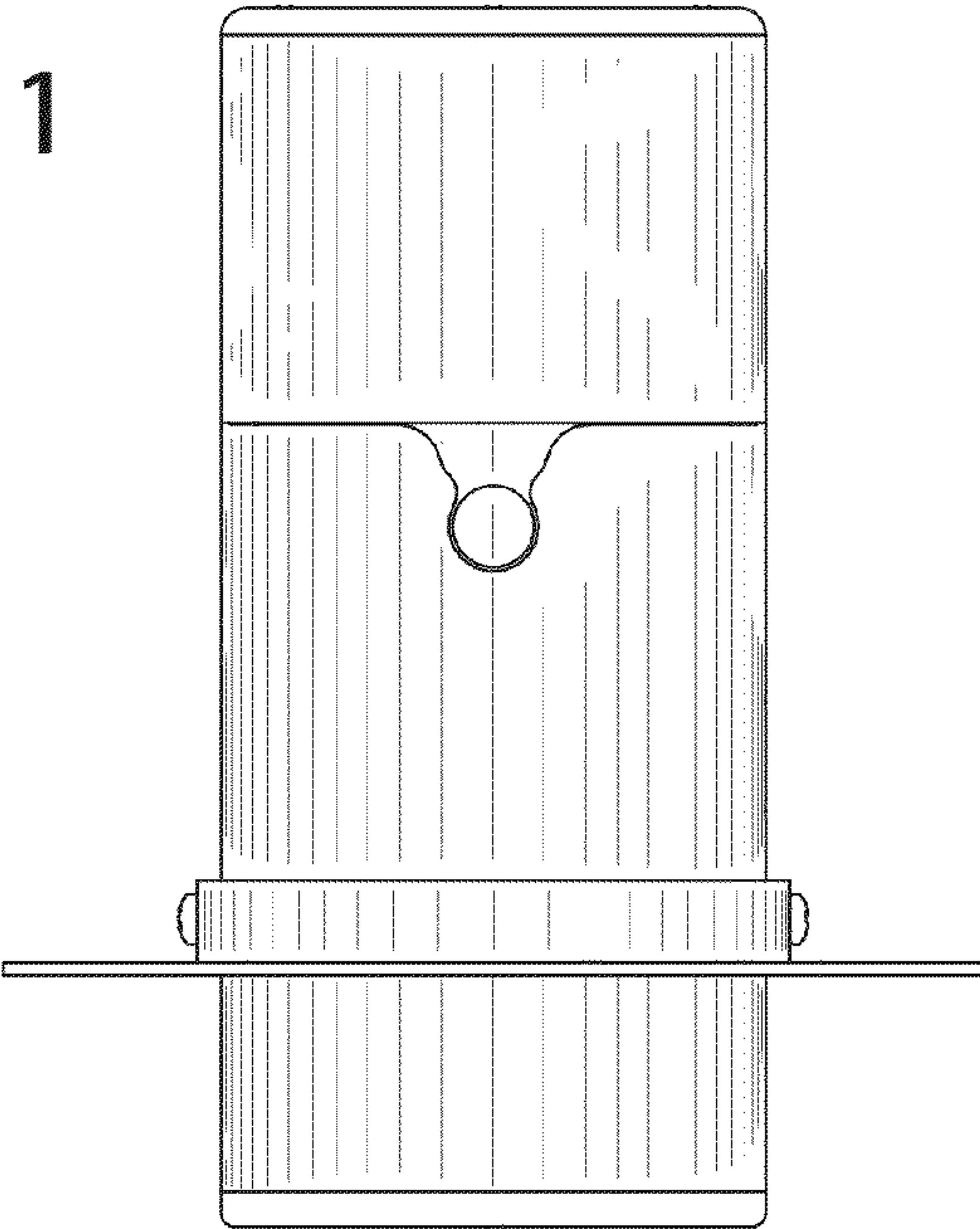


FIG. 3



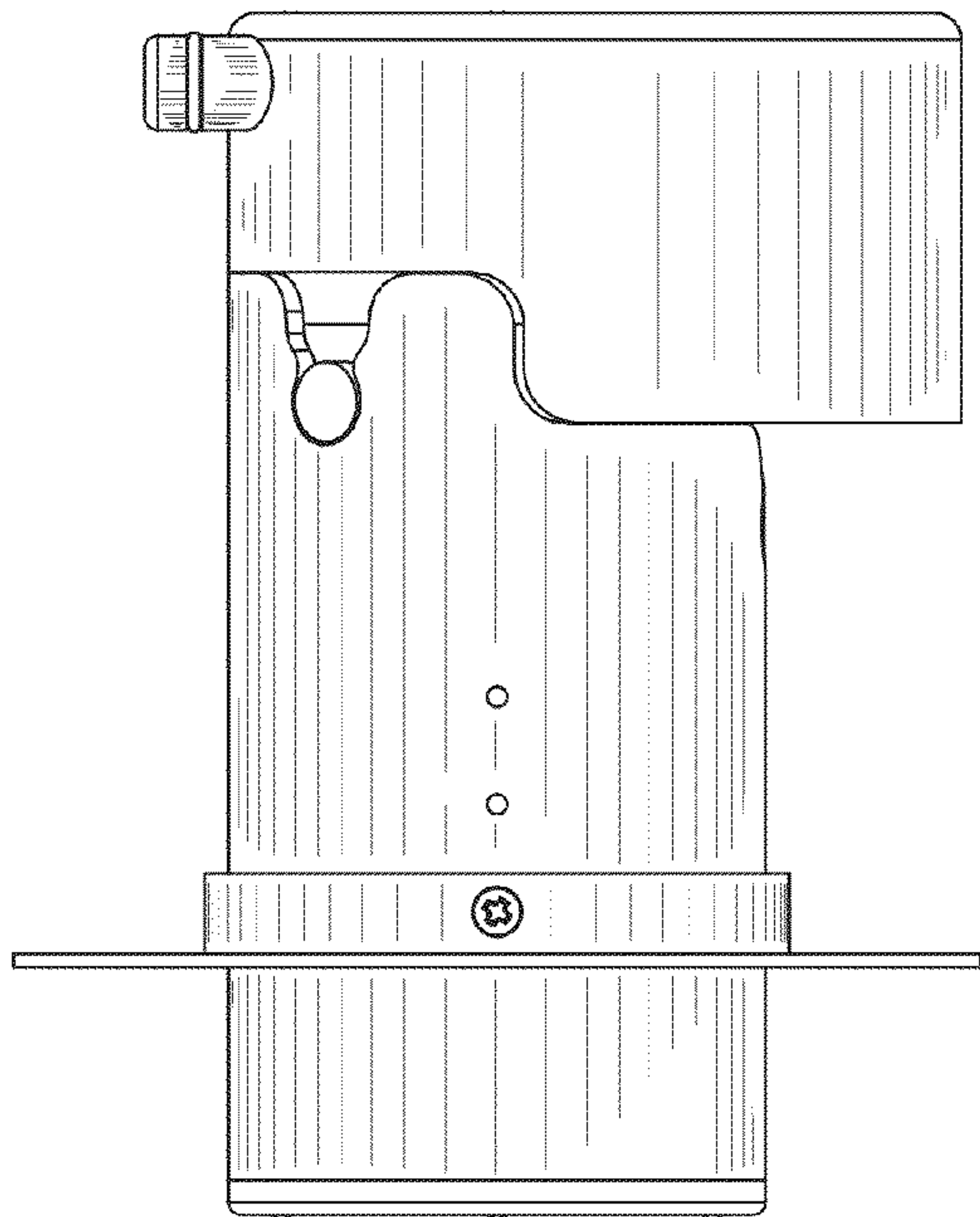


FIG. 4

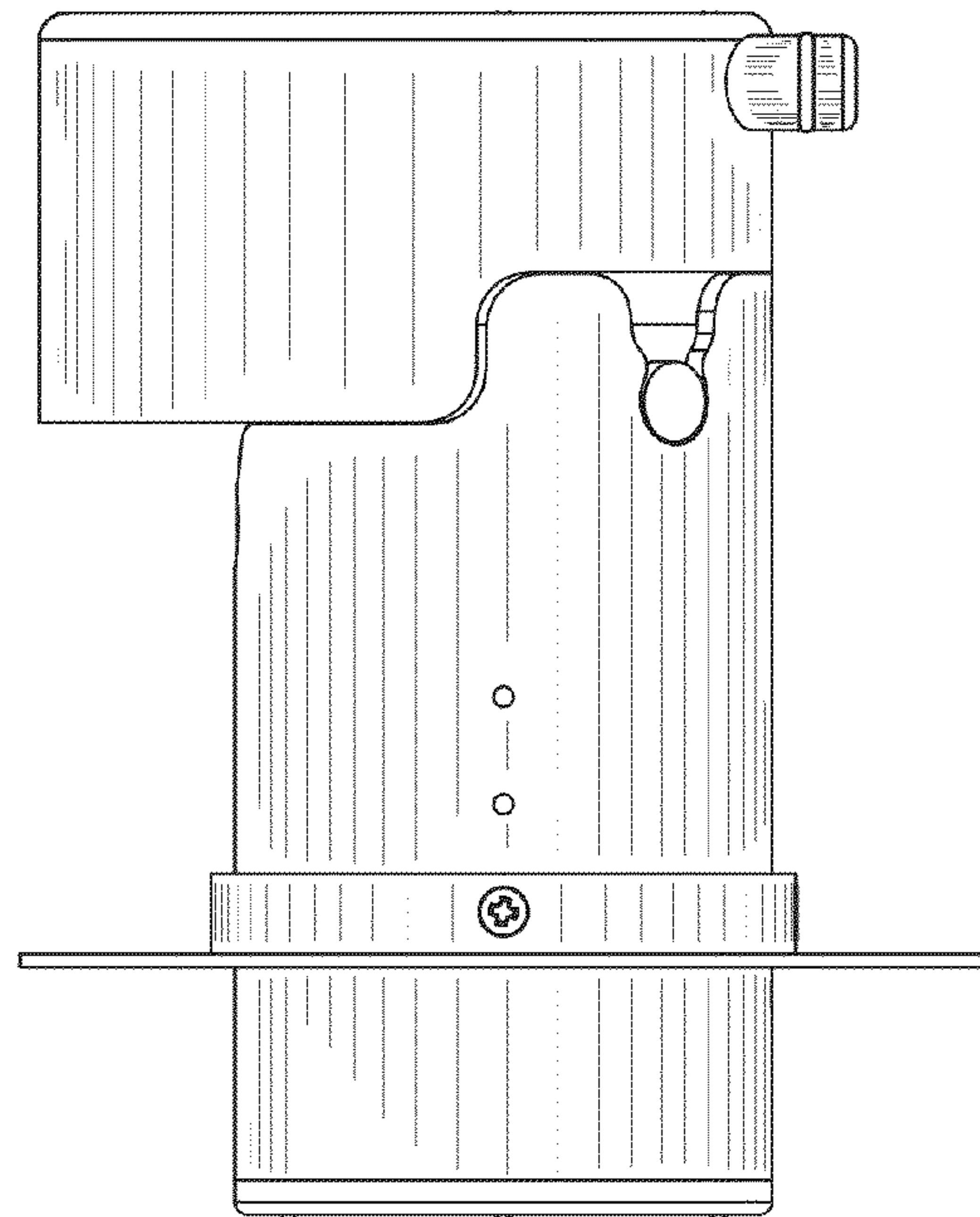


FIG. 5

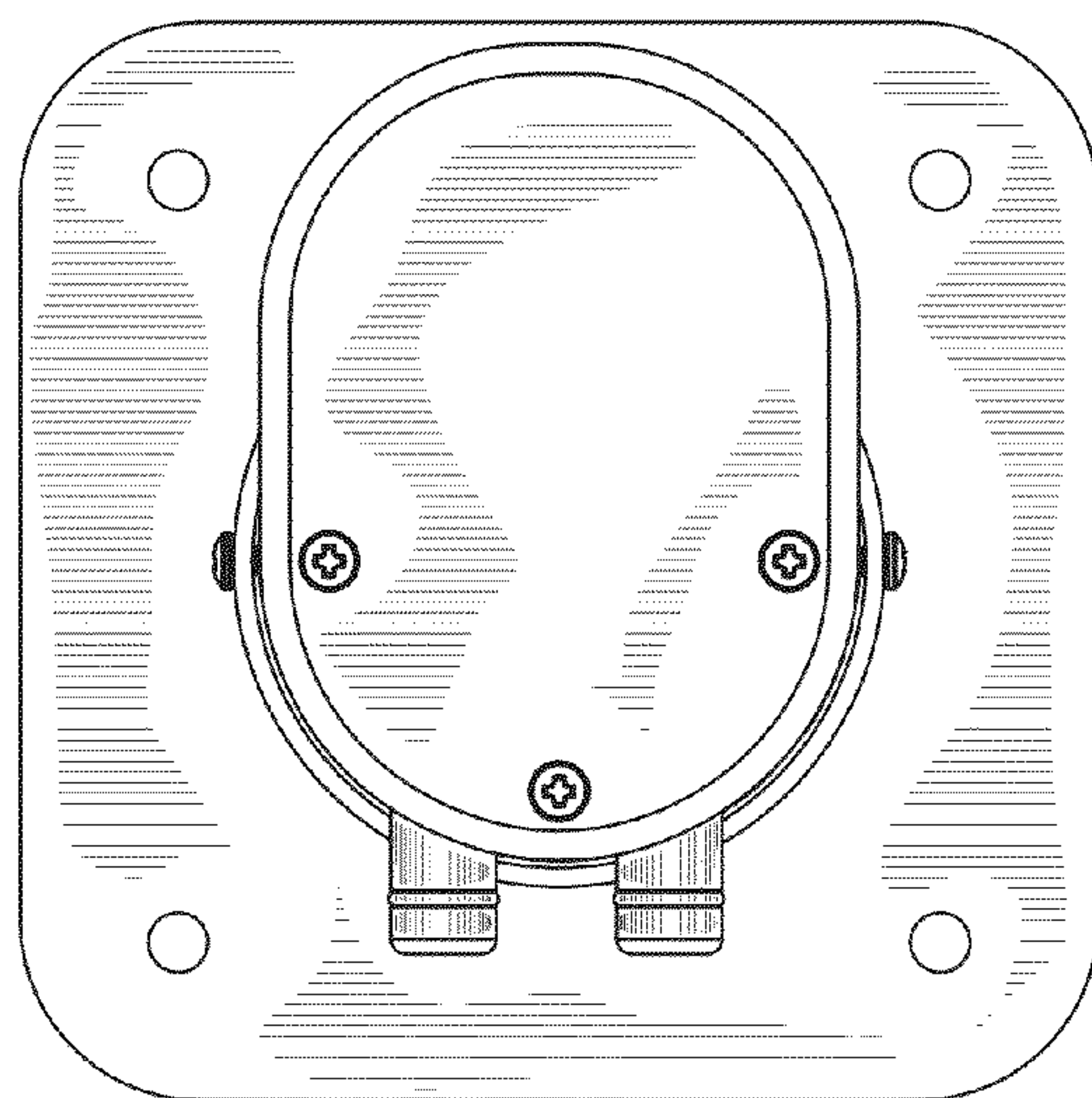


FIG. 6

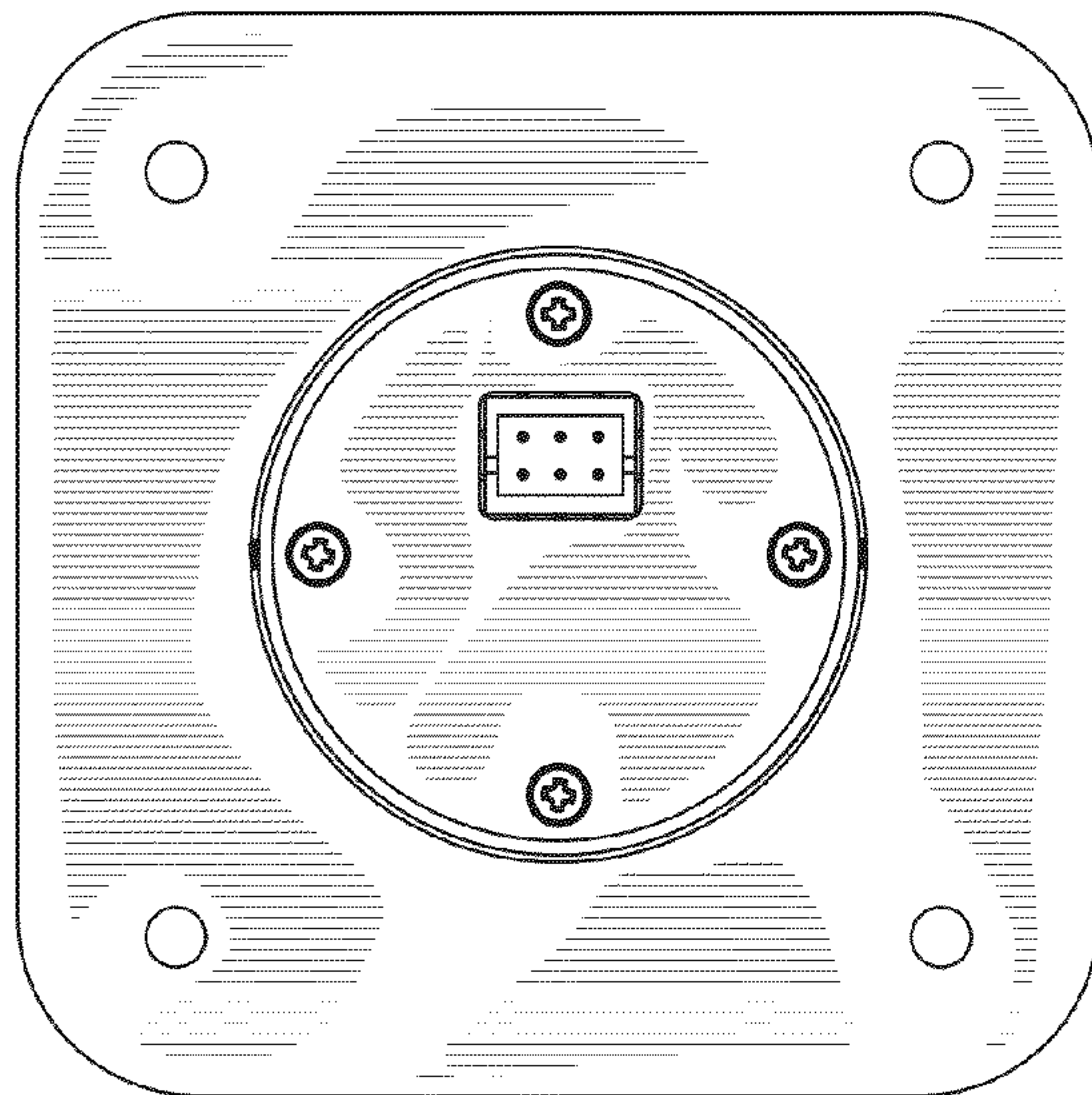


FIG. 7