



US00D706835S

(12) **United States Design Patent**
Degelman

(10) **Patent No.:** **US D706,835 S**
(45) **Date of Patent:** **** Jun. 10, 2014**

- (54) **CULTIVATOR**
- (71) Applicant: **Scott Degelman**, Regina (CA)
- (72) Inventor: **Scott Degelman**, Regina (CA)
- (**) Term: **14 Years**
- (21) Appl. No.: **29/471,155**
- (22) Filed: **Oct. 29, 2013**
- (51) **LOC (10) Cl.** **15-03**
- (52) **U.S. Cl.**
USPC **D15/11**
- (58) **Field of Classification Search**
USPC D15/10, 11, 27, 28, 29, 33; 172/579,
172/311, 568, 612, 468, 637, 662, 684.5,
172/689, 551, 576, 595, 455, 518, 527, 567,
172/586, 142, 152, 154, 178, 181, 196, 442,
172/440, 441, 314, 548, 454, 583, 140, 776,
172/22, 145-147, 175, 669, 452, 2-11
See application file for complete search history.

7,578,356 B2 *	8/2009	Newman	172/572
D625,339 S *	10/2010	Monk	D15/11
D635,590 S *	4/2011	Kovach et al.	D15/11
D646,699 S *	10/2011	Knobloch et al.	D15/27
D667,847 S *	9/2012	Kovach et al.	D15/11
D668,687 S *	10/2012	Kromminga	D15/11

* cited by examiner

Primary Examiner — Mark Goodwin

(74) *Attorney, Agent, or Firm* — Craig J. Lervick; Larkin Hoffman Daly & Lindgren Ltd.

(57) **CLAIM**

The ornamental design for a cultivator, as shown and described.

DESCRIPTION

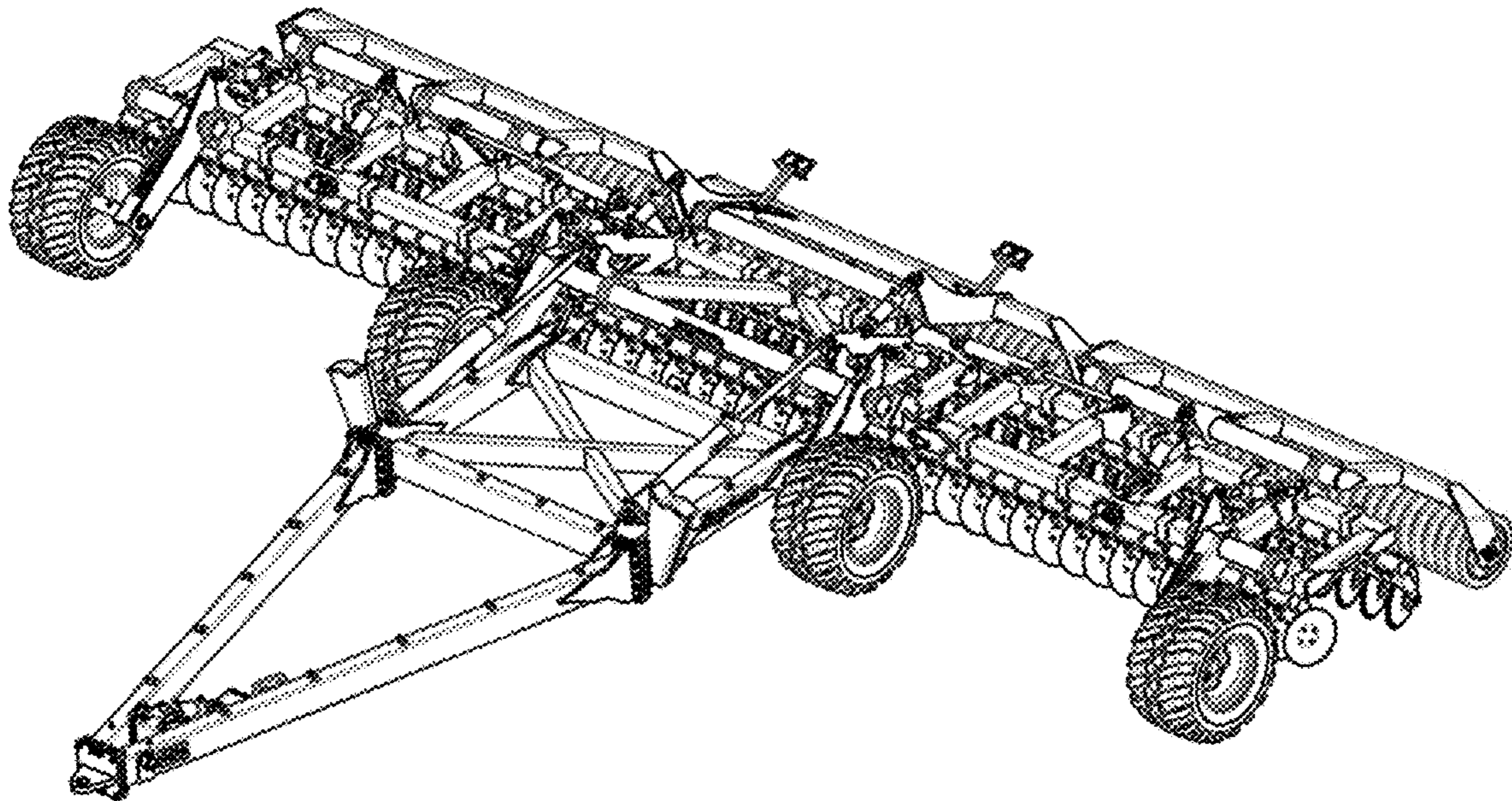
FIG. 1 is a top front right perspective view of a cultivator showing my new design in an unfolded position;
 FIG. 2 is a right side elevation view thereof, the left side elevation view being a mirror image thereof;
 FIG. 3 is a front elevation view thereof;
 FIG. 4 is a rear elevation view thereof;
 FIG. 5 is a top plan view thereof; and,
 FIG. 6 is a top front right perspective view thereof shown in a folded position.

1 Claim, 6 Drawing Sheets

(56) **References Cited**

U.S. PATENT DOCUMENTS

D234,619 S *	3/1975	Oelschlaeger	D15/27
D258,657 S *	3/1981	Stark	D15/27
5,161,622 A *	11/1992	Godbersen	172/140
5,232,054 A *	8/1993	Van Blaricon et al.	172/311



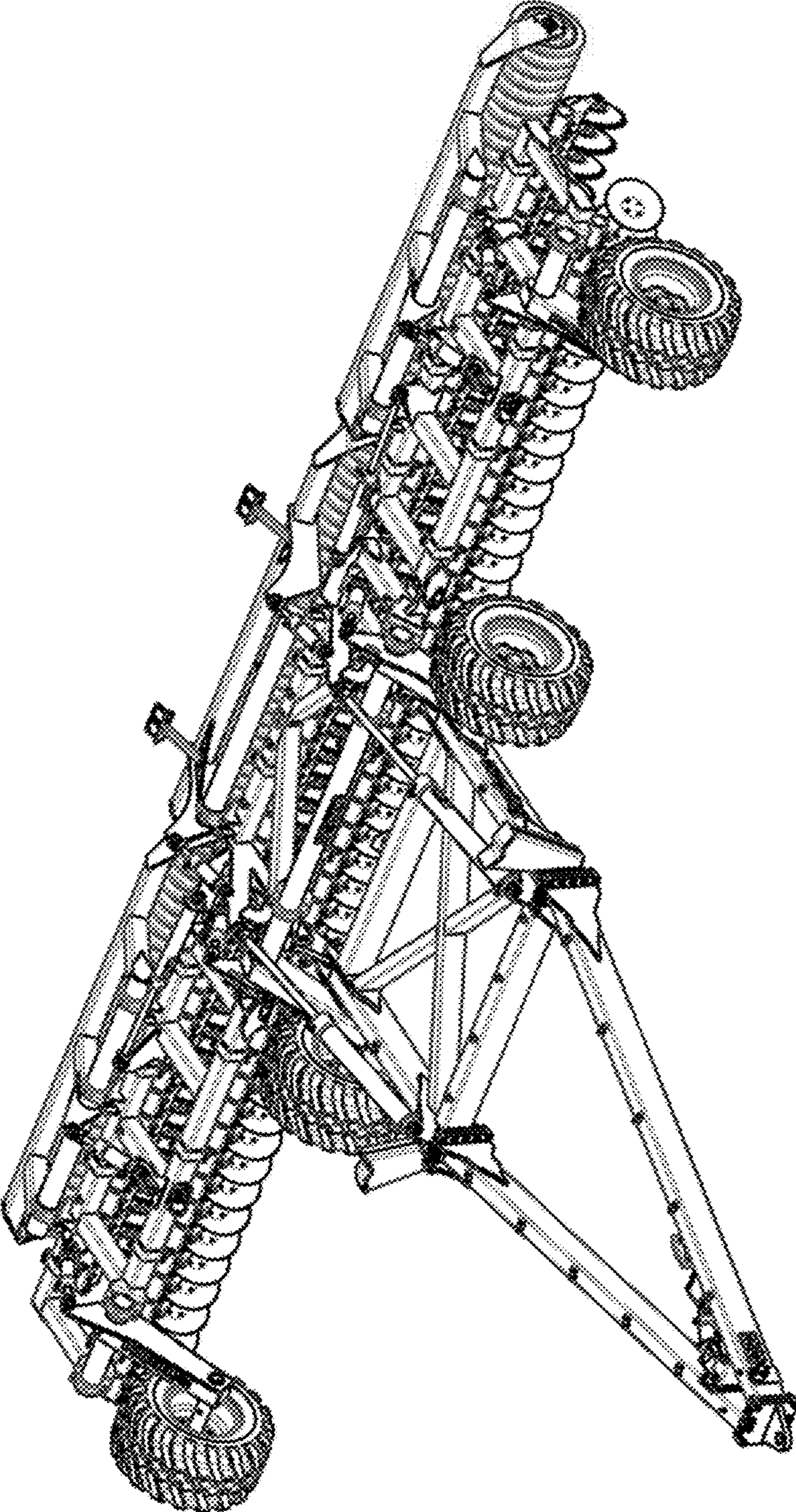


FIG. 1

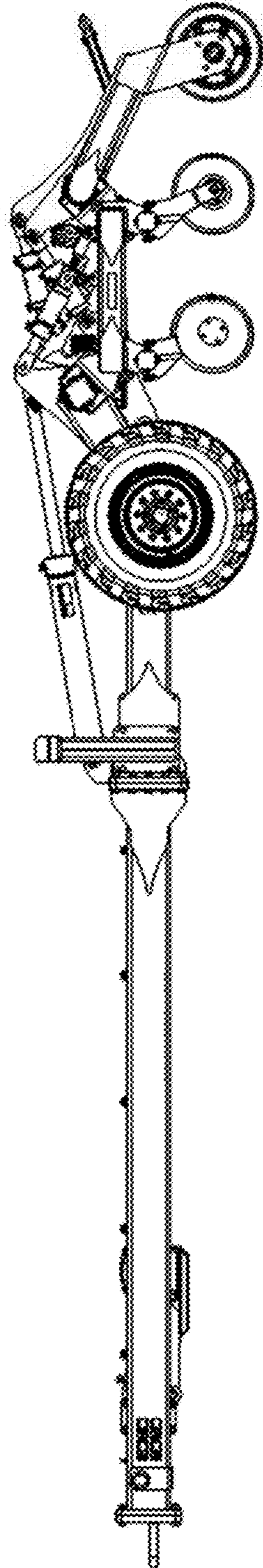


FIG. 2

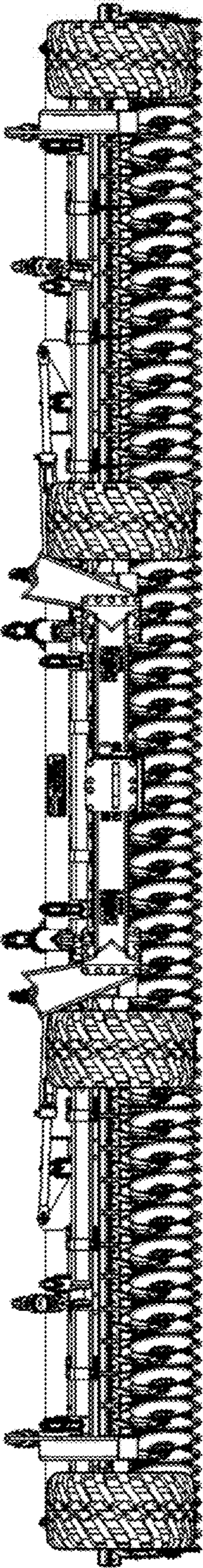


FIG. 3

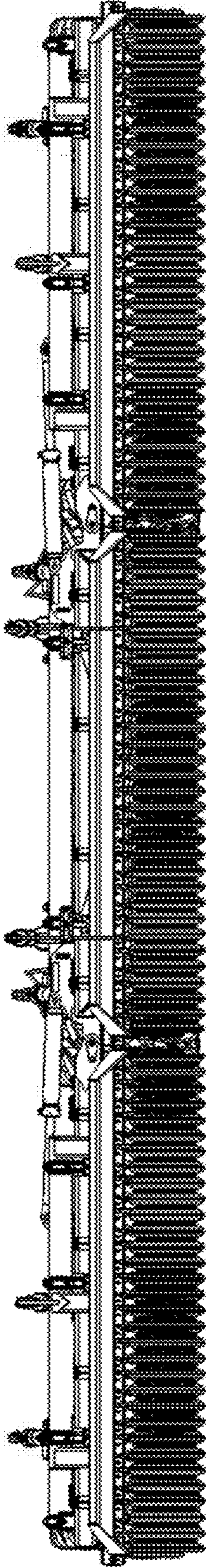
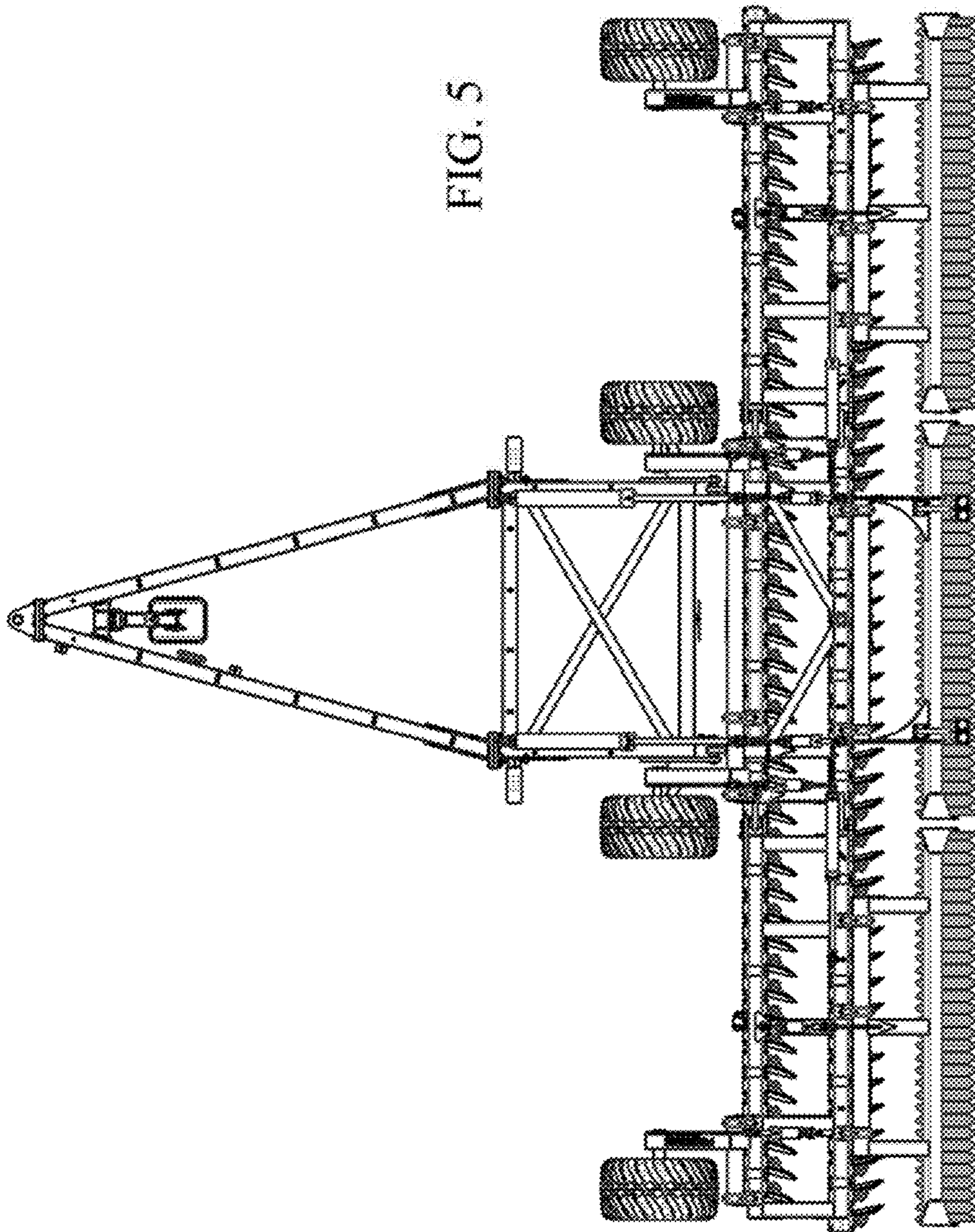


FIG. 4



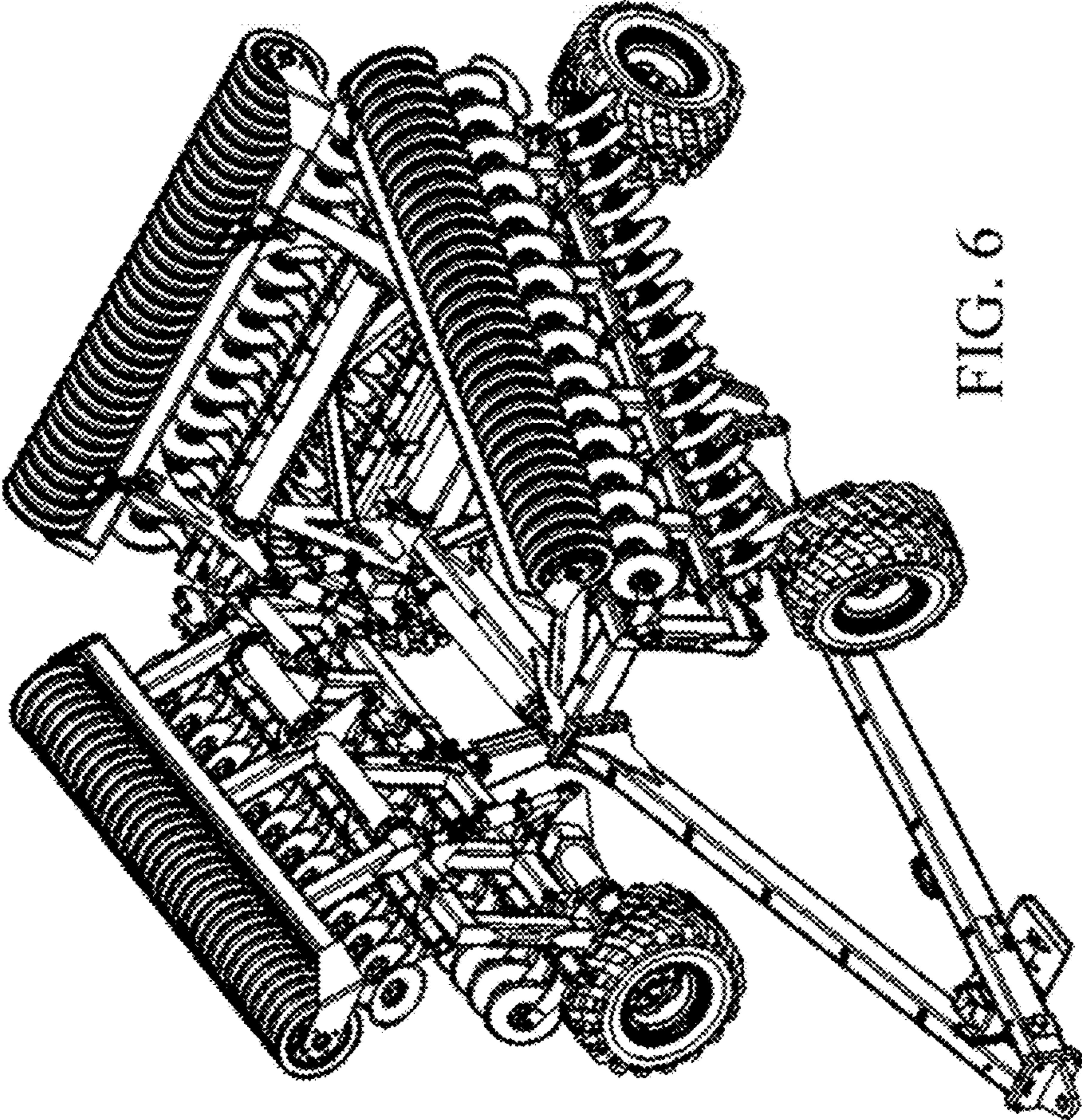


FIG. 6