



US00D706834S

(12) **United States Design Patent**
Nowicki et al.

(10) **Patent No.:** **US D706,834 S**

(45) **Date of Patent:** **** Jun. 10, 2014**

(54) **RADON/SUMP DOME**

(76) Inventors: **Craig M. Nowicki**, Mishawaka, IN
(US); **John Haslock**, Buchcanan, MI
(US)

(**) Term: **14 Years**

(21) Appl. No.: **29/395,018**

(22) Filed: **Nov. 10, 2011**

(51) **LOC (10) Cl.** **15-02**

(52) **U.S. Cl.**
USPC **D15/9**

(58) **Field of Classification Search**
USPC D15/7-9; D23/231, 232, 225; 417/60,
417/235, 265, 321, 355, 358, 363, 359,
417/410.1, 415-416, 405, 900, 43, 554;
60/408, 412; 184/26-37; 415/140-147;
123/495, 509; 166/105.1, 105.2, 311
See application file for complete search history.

(56) **References Cited**

U.S. PATENT DOCUMENTS

D322,970 S * 1/1992 Webb D15/9.1
D404,742 S * 1/1999 Versaw et al. D15/7
D429,735 S * 8/2000 Versaw et al. D15/7
D461,829 S * 8/2002 Sodergard D15/7

D589,060 S * 3/2009 Metcalfe D15/7
D602,501 S * 10/2009 Ton D15/7
D606,099 S * 12/2009 Lawyer et al. D15/7
D611,504 S * 3/2010 Ton D15/7
D648,747 S * 11/2011 McCombs et al. D15/9

* cited by examiner

Primary Examiner — Ralf Seifert

(74) *Attorney, Agent, or Firm* — Ryan M. Fountain

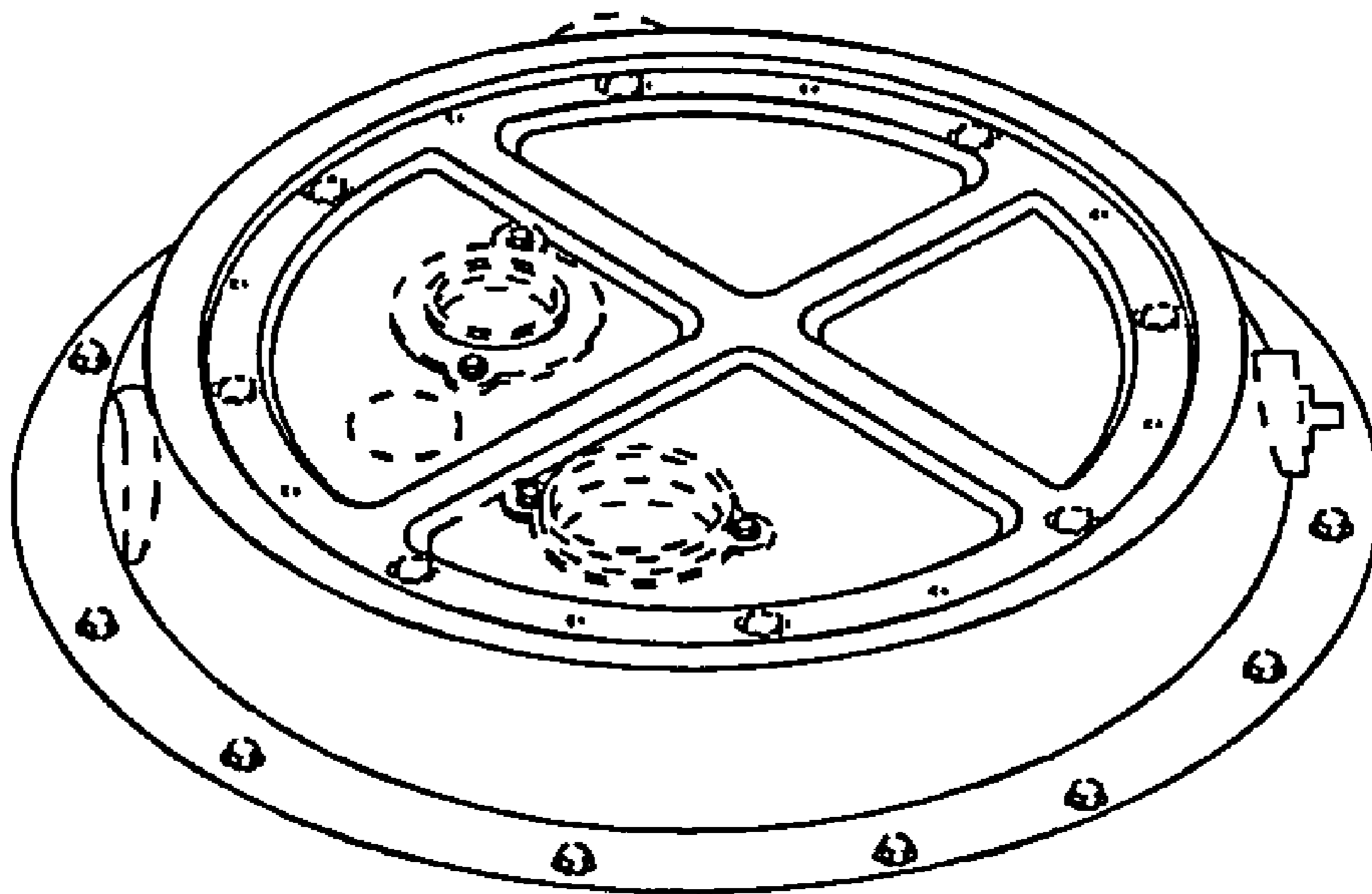
(57) **CLAIM**

The ornamental design for a radon/sump dome, substantially as shown and described.

DESCRIPTION

FIG. 1 shows a top view of a radon/sump dome showing my new design;
FIG. 2 shows a right side view of FIG. 1, the left side view being a mirror image thereof;
FIG. 3 shows a front, top, right perspective view of FIG. 1;
FIG. 4 shows a top view of the radon/sump dome;
FIG. 5 shows a right side view of FIG. 4, the left side view being a mirror image thereof; and,
FIG. 6 shows a front, top, right perspective view of FIG. 4.
The environmental and functional features shown in the drawings form no portion of the claimed design and are shown in the drawings by broken lines.

1 Claim, 1 Drawing Sheet



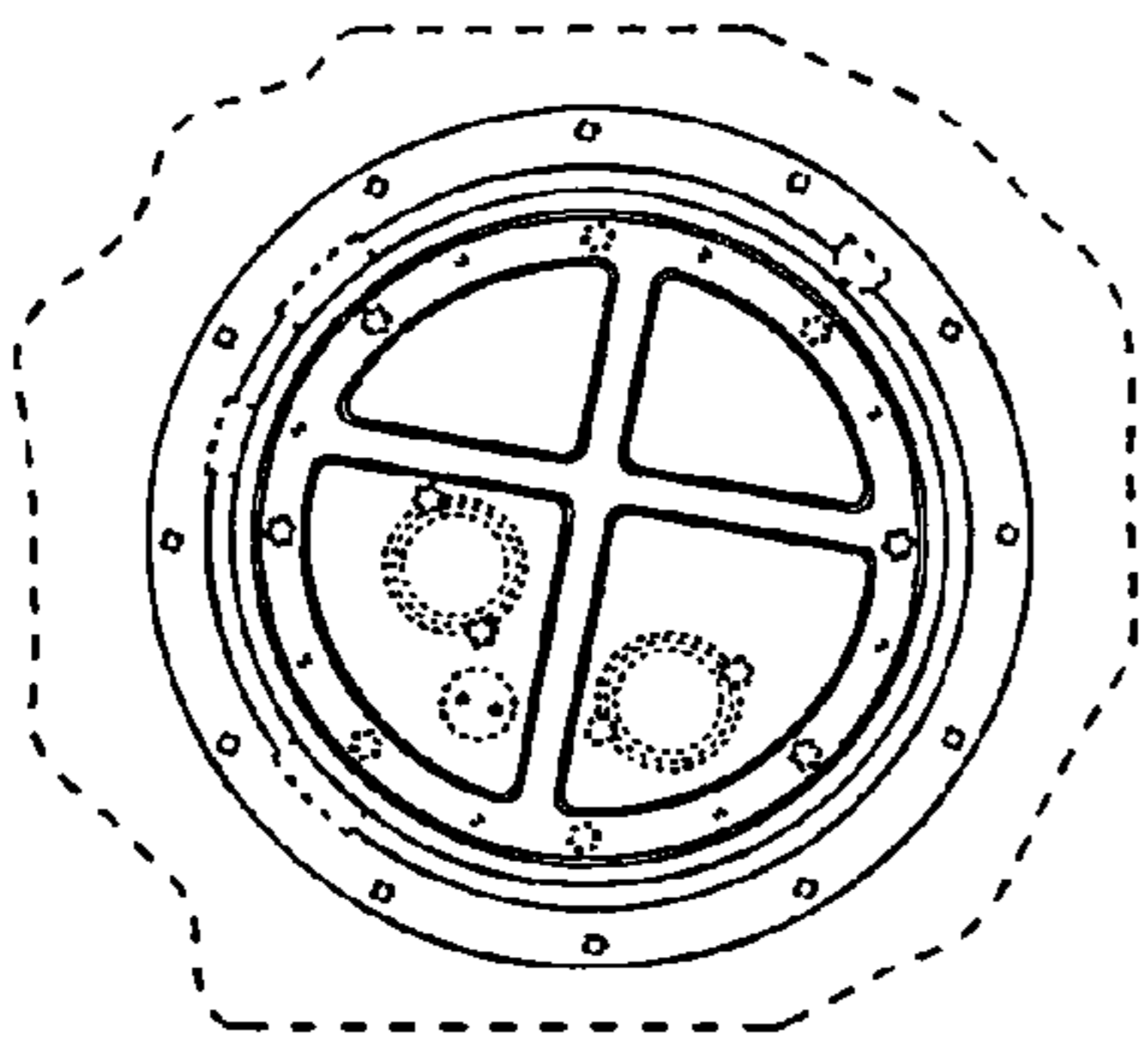


FIG. 1

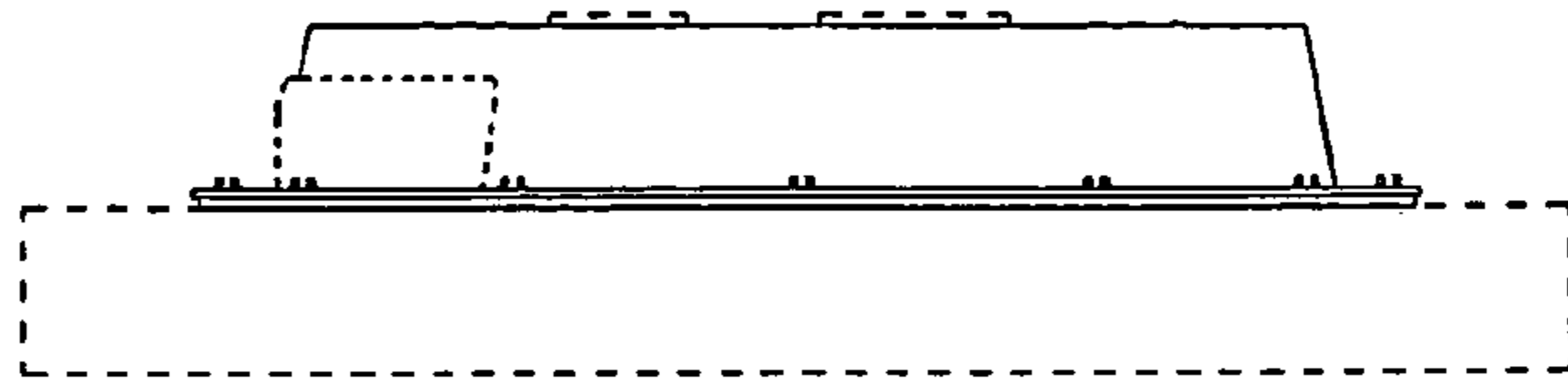


FIG. 2

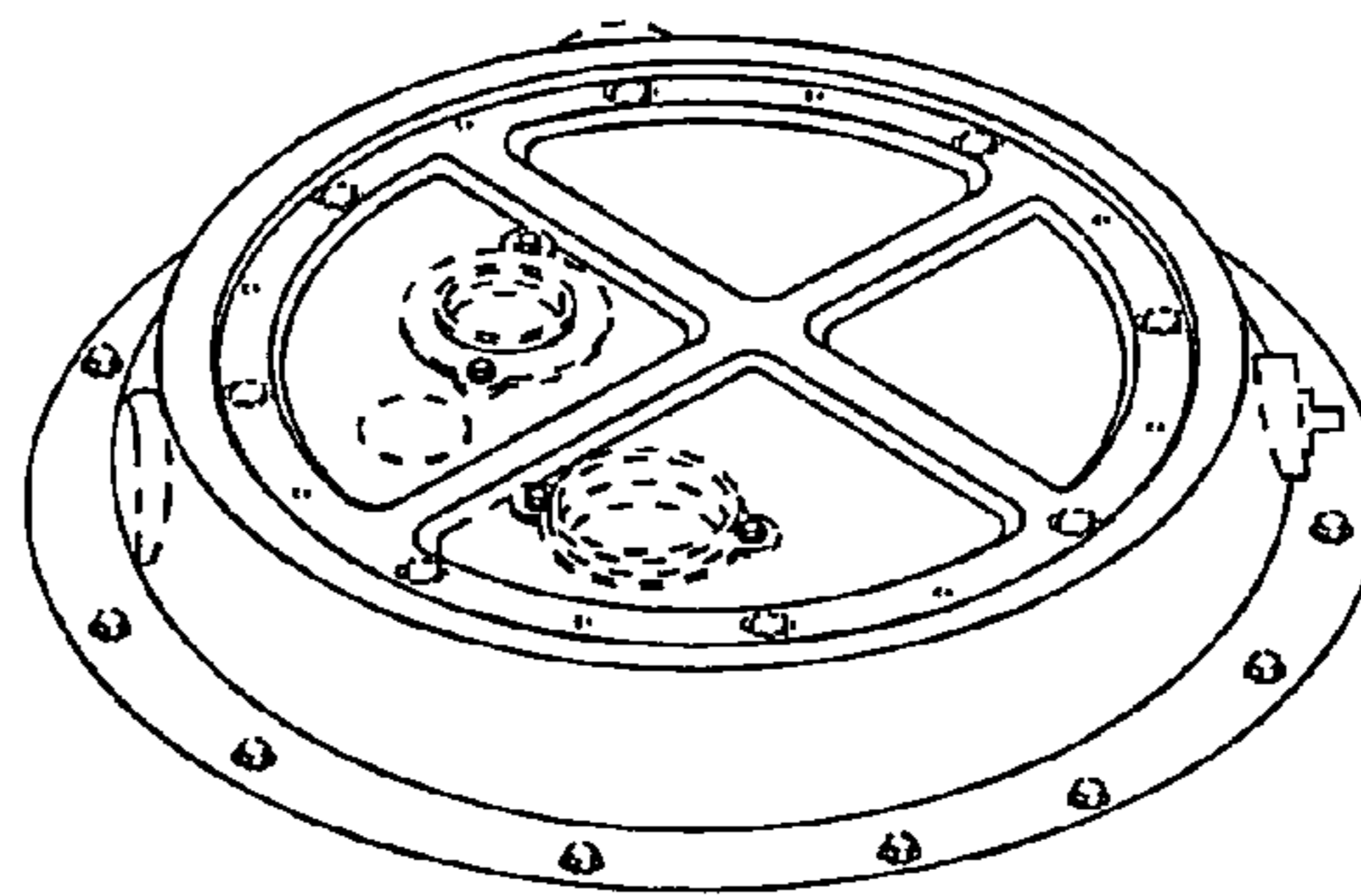


FIG. 3

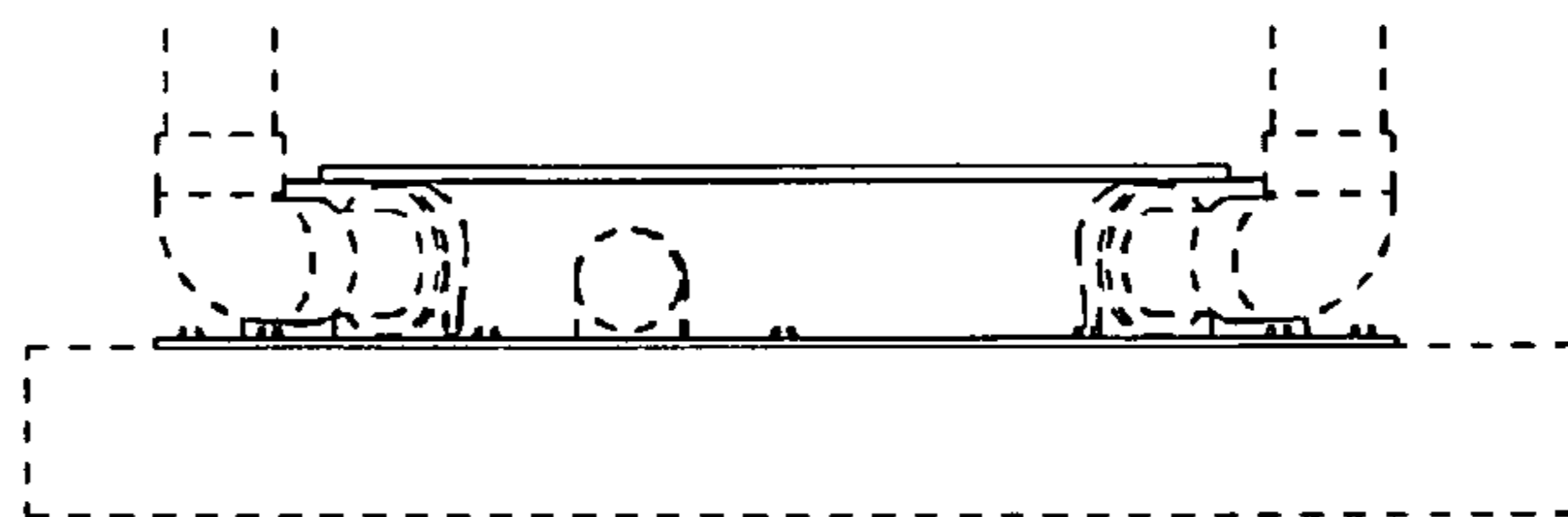


FIG. 5

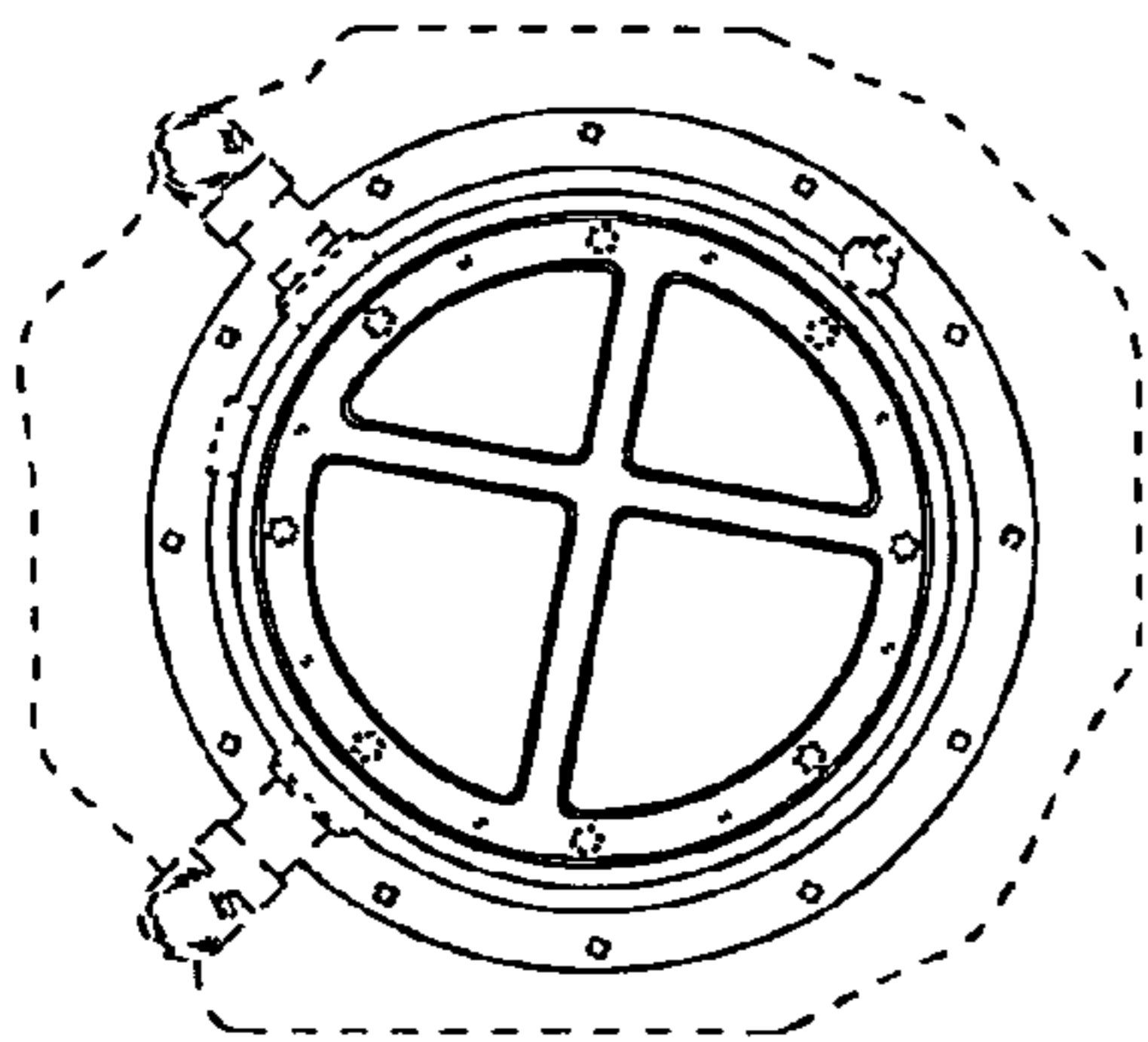


FIG. 4

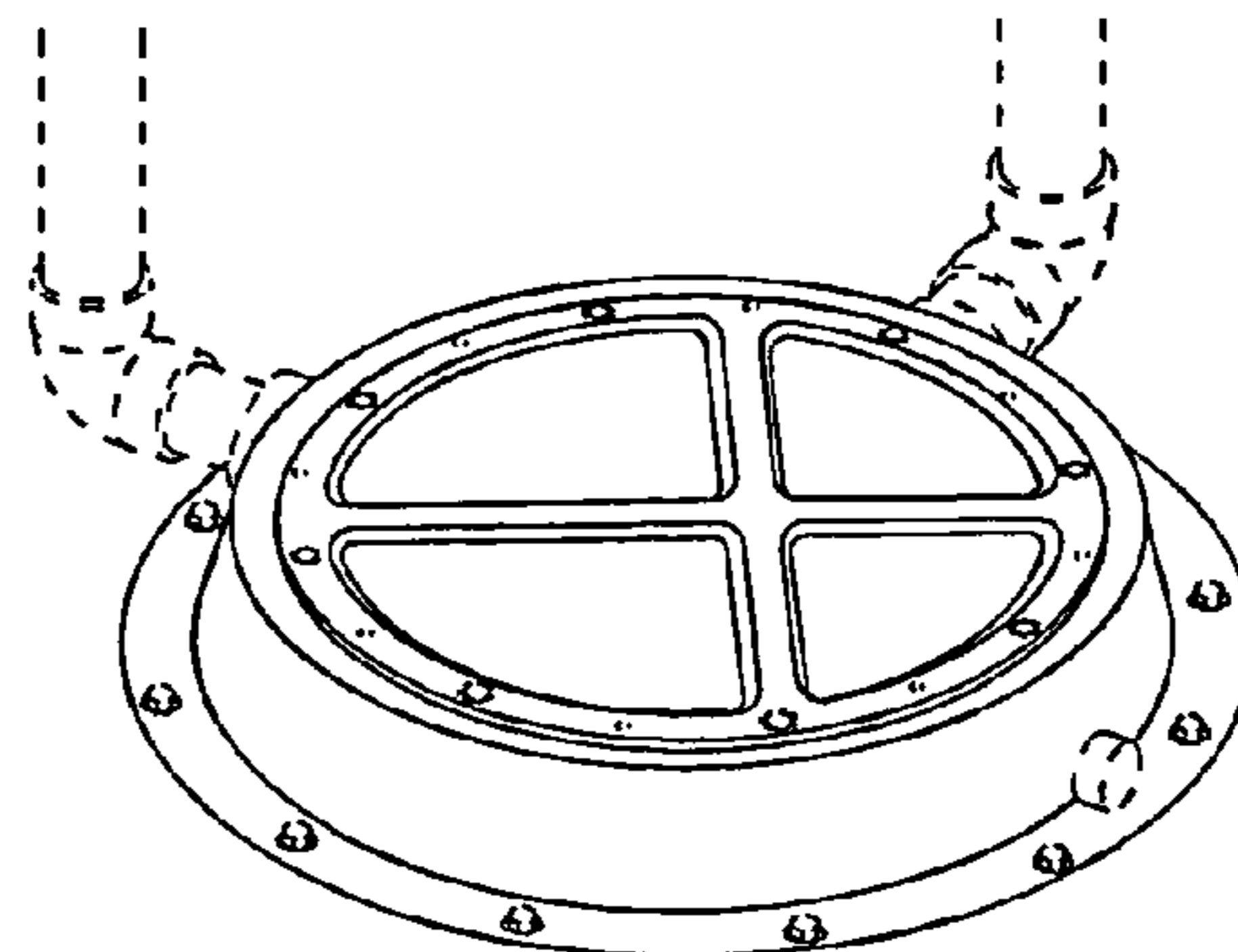


FIG. 6