



US00D706830S

(12) **United States Design Patent**
Diaz et al.

(10) **Patent No.:** **US D706,830 S**
(45) **Date of Patent:** **** Jun. 10, 2014**

(54) **DISC MEDIA PLAYER**

(71) Applicant: **BBY Solutions, Inc.**, Richfield, MN
(US)

(72) Inventors: **Jorge Diaz**, Eden Prairie, MN (US);
Nancy Gezella, St. Michael, MN (US)

(73) Assignee: **BBY Solutions, Inc.**, Richfield, MN
(US)

(**) Term: **14 Years**

(21) Appl. No.: **29/434,375**

(22) Filed: **Oct. 12, 2012**

(51) **LOC (10) Cl.** **14-03**

(52) **U.S. Cl.**
USPC **D14/500**

(58) **Field of Classification Search**
USPC D13/103, 108; D14/135, 155, 157,
D14/160–162, 167, 168, 188–198, 250, 257,
D14/258, 265, 348, 356, 363, 365, 367, 368,
D14/496, 498–505, 511; D16/219, 221;
360/99.02, 99.07; 369/75.11, 75.21,
369/77.11, 77.21; 720/601, 612, 619, 649,
720/655

See application file for complete search history.

(56) **References Cited**

U.S. PATENT DOCUMENTS

D390,220 S * 2/1998 Matsuoka D14/502
D441,375 S * 5/2001 Hisatsune et al. D14/496
D548,764 S * 8/2007 Ogino et al. D16/230
D624,559 S * 9/2010 Chung D14/502
D632,302 S * 2/2011 Kim D14/500

D632,303 S * 2/2011 Kim D14/500
D639,307 S * 6/2011 Lee et al. D14/500
D645,474 S * 9/2011 Cho et al. D14/502
D680,553 S * 4/2013 Wang et al. D14/505

OTHER PUBLICATIONS

Samsung BD-E6500 3D Blu-ray player, announced Jan. 2012,
[online], [site visited Dec. 5, 2013]. Available from Internet, <URL:
<http://www.crutchfield.com>>.*

* cited by examiner

Primary Examiner — Thomas Johannes

Assistant Examiner — Janice Lim

(74) *Attorney, Agent, or Firm* — Beck & Tysver PLLC

(57) **CLAIM**

The ornamental design for a disc media player, as shown and
described.

DESCRIPTION

FIG. 1 is a front, top, and right side perspective view of a disc
media player, with media stick mounted, showing our new
design;

FIG. 2 is a front, top, and right side perspective view of a disc
media player, with media stick unmounted;

FIG. 3 is a front elevation view thereof;

FIG. 4 is a rear elevation view thereof;

FIG. 5 is a left elevation view thereof;

FIG. 6 is a right elevation view thereof;

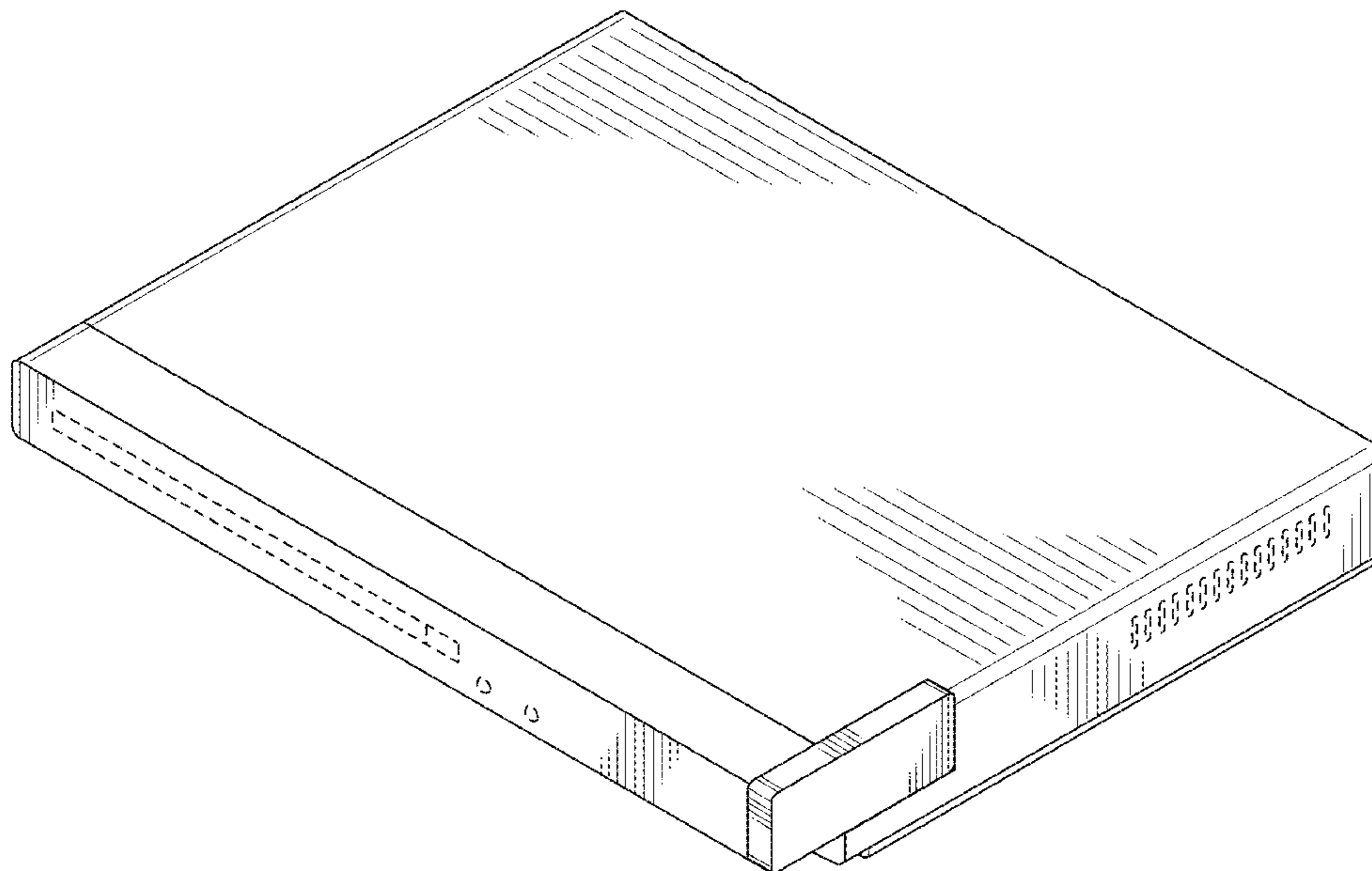
FIG. 7 is a top plan view thereof; and,

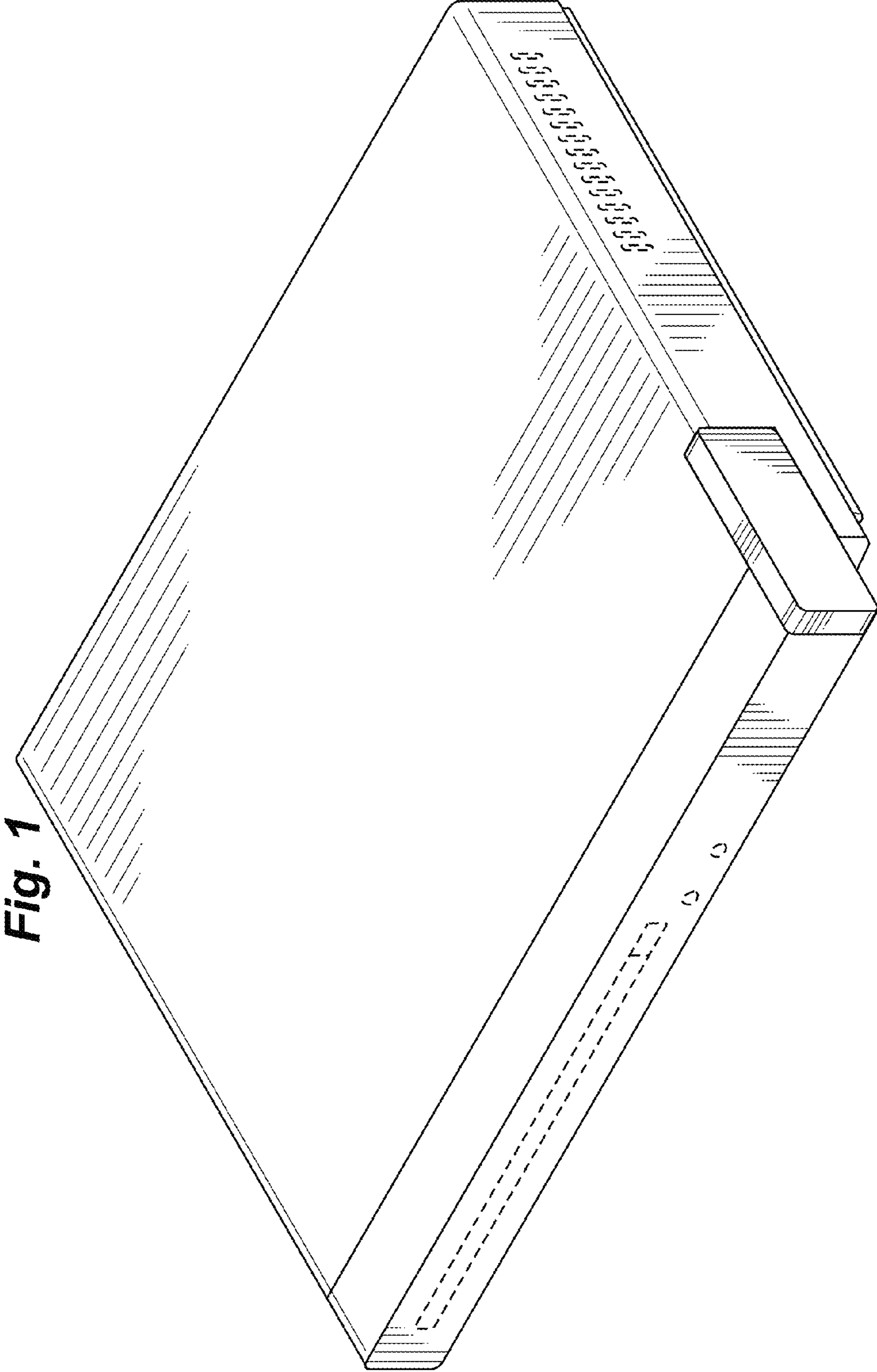
FIG. 8 is a bottom plan view thereof.

The simple dashed broken line portions of FIGS. 1-8 are
included to show unclaimed subject matter only and form no
part of the claimed design.

The special dot-dash broken line portion of FIG. 2 is included
to show relationship of media stick to disc media player only
and forms no part of the claimed design.

1 Claim, 4 Drawing Sheets





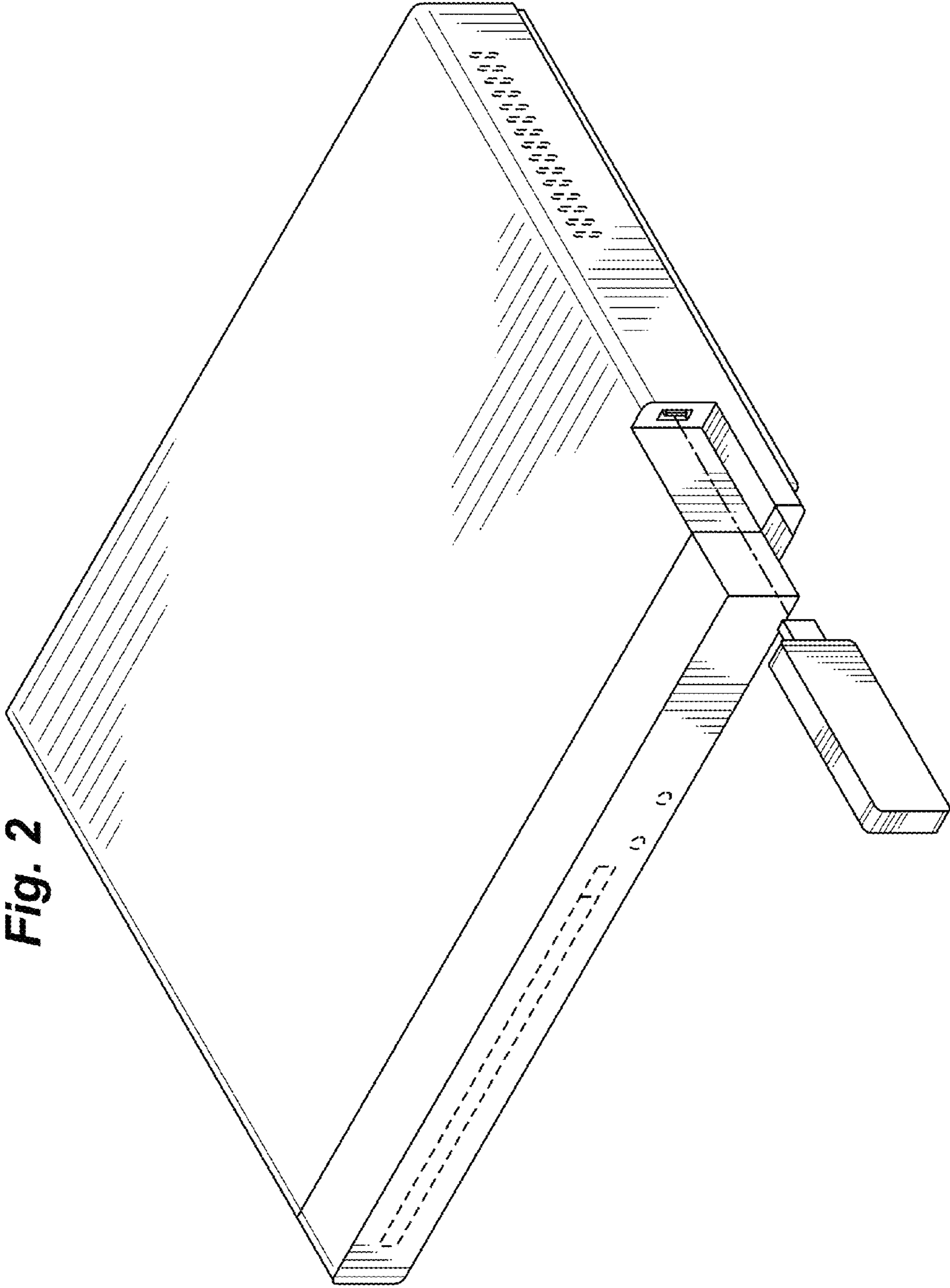


Fig. 2

Fig. 3



Fig. 4

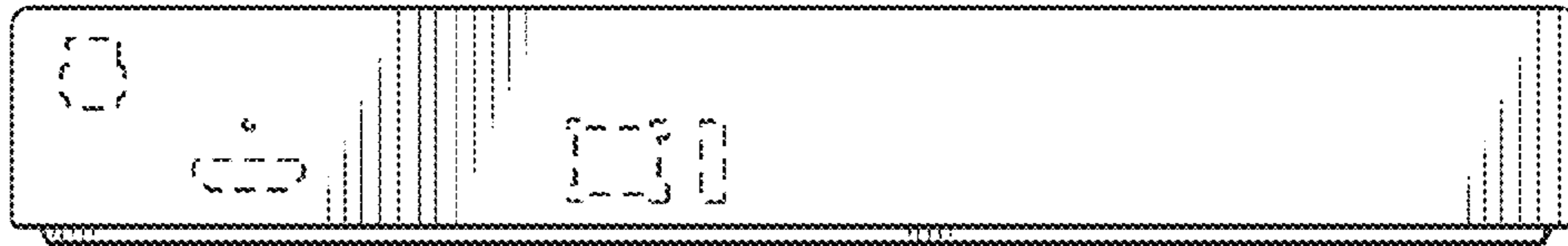


Fig. 5

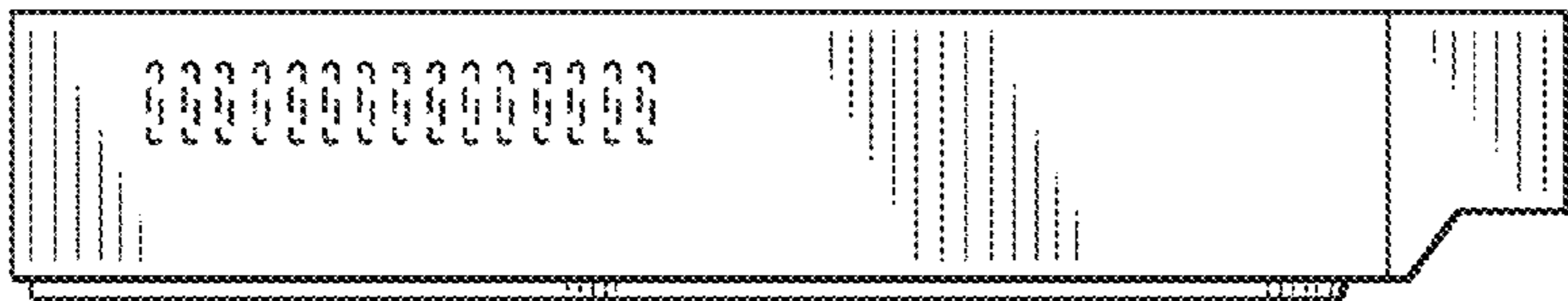


Fig. 6

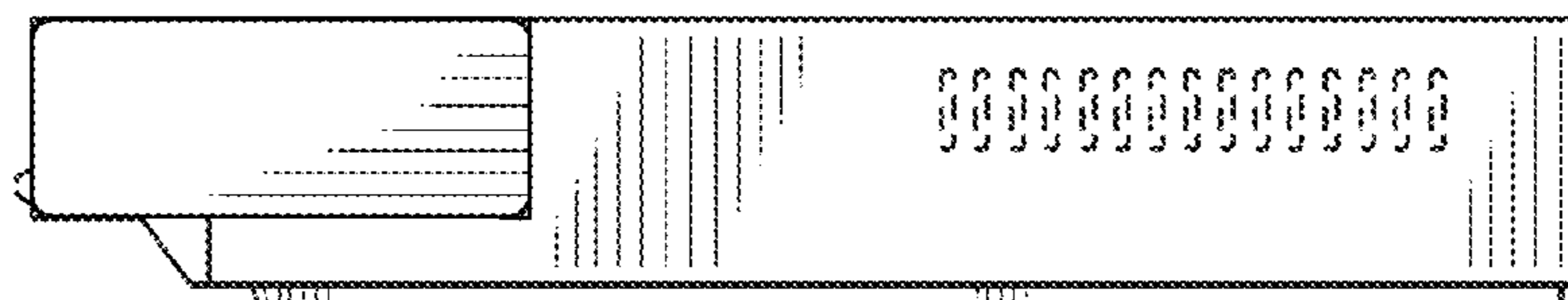


Fig. 7

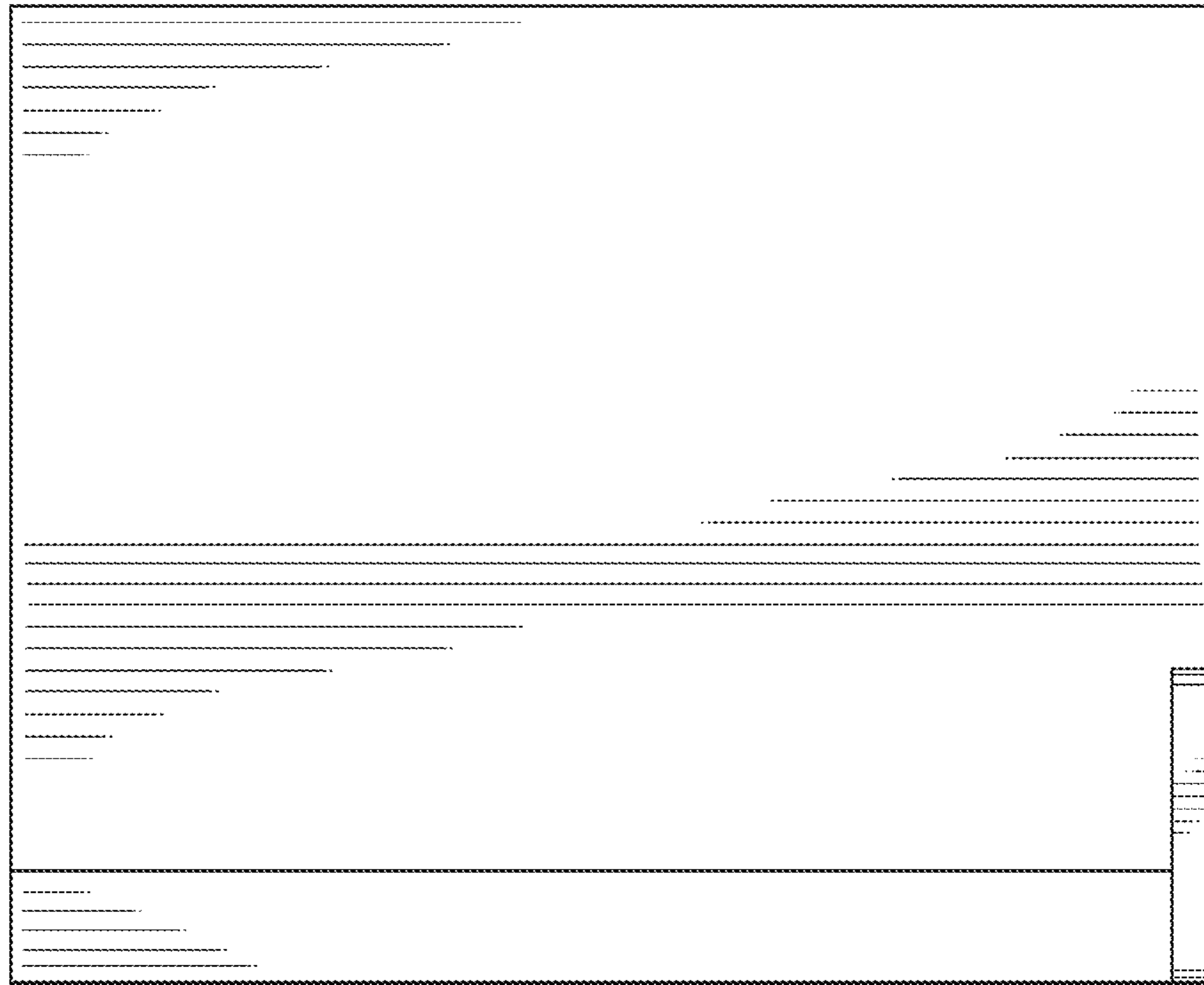


Fig. 8

