



US00D706787S

(12) **United States Design Patent**  
**Emami et al.**

(10) **Patent No.:** **US D706,787 S**

(45) **Date of Patent:** **\*\* Jun. 10, 2014**

(54) **DATA ACCESSING DEVICE**

(71) Applicant: **Kingston Digital, Inc.**, Fountain Valley, CA (US)

(72) Inventors: **Arman Emami**, Fountain Valley, CA (US); **Feng-Sheng Lin**, Hsinchu (TW); **Hsi-Ming Tsai**, Hsinchu (TW); **Peter Leekuo Chou**, Fountain Valley, CA (US)

(73) Assignee: **Kingston Digital, Inc.**, Fountain Valley, CA (US)

(\*\*) Term: **14 Years**

(21) Appl. No.: **29/448,042**

(22) Filed: **Mar. 8, 2013**

(51) **LOC (10) Cl.** ..... **14-02**

(52) **U.S. Cl.**  
USPC ..... **D14/480.7**

(58) **Field of Classification Search**  
CPC . H05K 5/0278; H01R 24/62; G06K 19/07732  
USPC ..... D14/411, 433, 435.1, 436, 480.1–480.7,  
D14/484.1, 137, 155, 203.1–203.8, 240;  
D13/133, 154; 710/300–301; 439/131,  
439/135–147

See application file for complete search history.

(56) **References Cited**

**U.S. PATENT DOCUMENTS**

D253,409 S *	11/1979	Voelkert	.....	D13/133
D576,619 S *	9/2008	Udagawa et al.	.....	D14/435.1
D581,413 S *	11/2008	Kim	.....	D14/480.7
D587,266 S *	2/2009	Deguchi	.....	D14/480.7
7,686,629 B1 *	3/2010	Yu et al.	.....	439/136
D620,017 S *	7/2010	Lo	.....	D14/480.7
D629,409 S *	12/2010	Lo	.....	D14/480.7

D631,057 S *	1/2011	Kuo	.....	D14/480.7
D631,885 S *	2/2011	Maier	.....	D14/435.1
7,990,698 B2 *	8/2011	Lo	.....	361/679.4
D660,859 S *	5/2012	Lin et al.	.....	D14/480.7
D673,576 S *	1/2013	Lin et al.	.....	D14/480.7
D692,903 S *	11/2013	Lin et al.	.....	D14/480.7

**OTHER PUBLICATIONS**

DataTraveler Ultimate 3.0 G3, [online], [retrieved on Jan. 6, 2014]. Retrieved from the Internet <URL: [http://www.kingston.com/us/usb/personal\\_business#DTU30G3](http://www.kingston.com/us/usb/personal_business#DTU30G3)>.\*

DataTraveler 100 G3, [online], [retrieved on Jan. 14, 2014]. Retrieved from the Internet <URL: [http://www.kingston.com/us/usb/personal\\_business#dt100g3](http://www.kingston.com/us/usb/personal_business#dt100g3)>.\*

\* cited by examiner

*Primary Examiner* — Karen E Kearney

(74) *Attorney, Agent, or Firm* — Skaar Ulbrich Macari, P.A.

(57) **CLAIM**

The ornamental design for a data accessing device, as shown and described.

**DESCRIPTION**

FIG. 1 is a perspective view of a data accessing device showing the claimed design;

FIG. 2 is a front elevational view thereof;

FIG. 3 is a rear elevational view thereof;

FIG. 4 is a left side elevational thereof;

FIG. 5 is a right side elevational thereof;

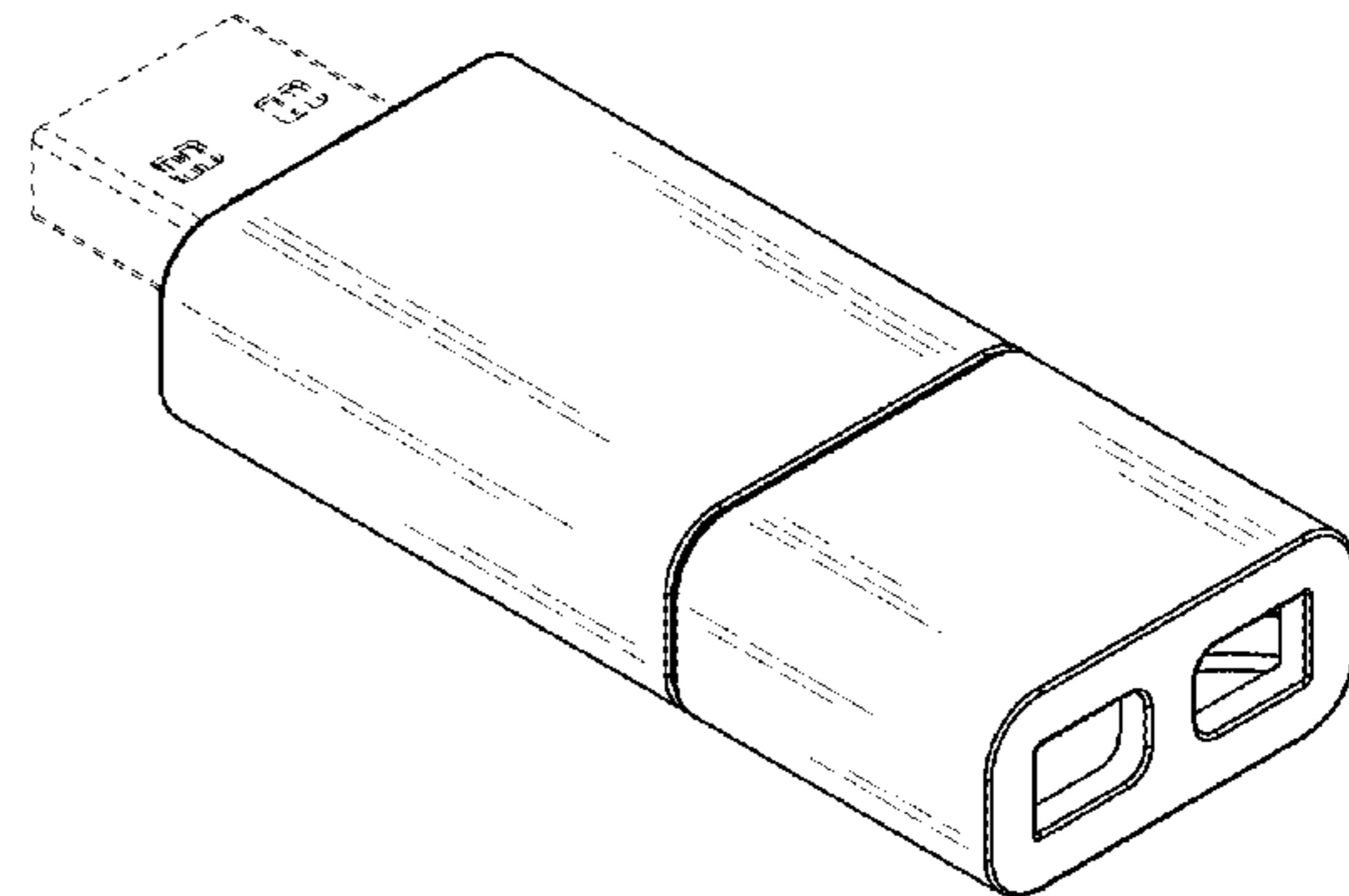
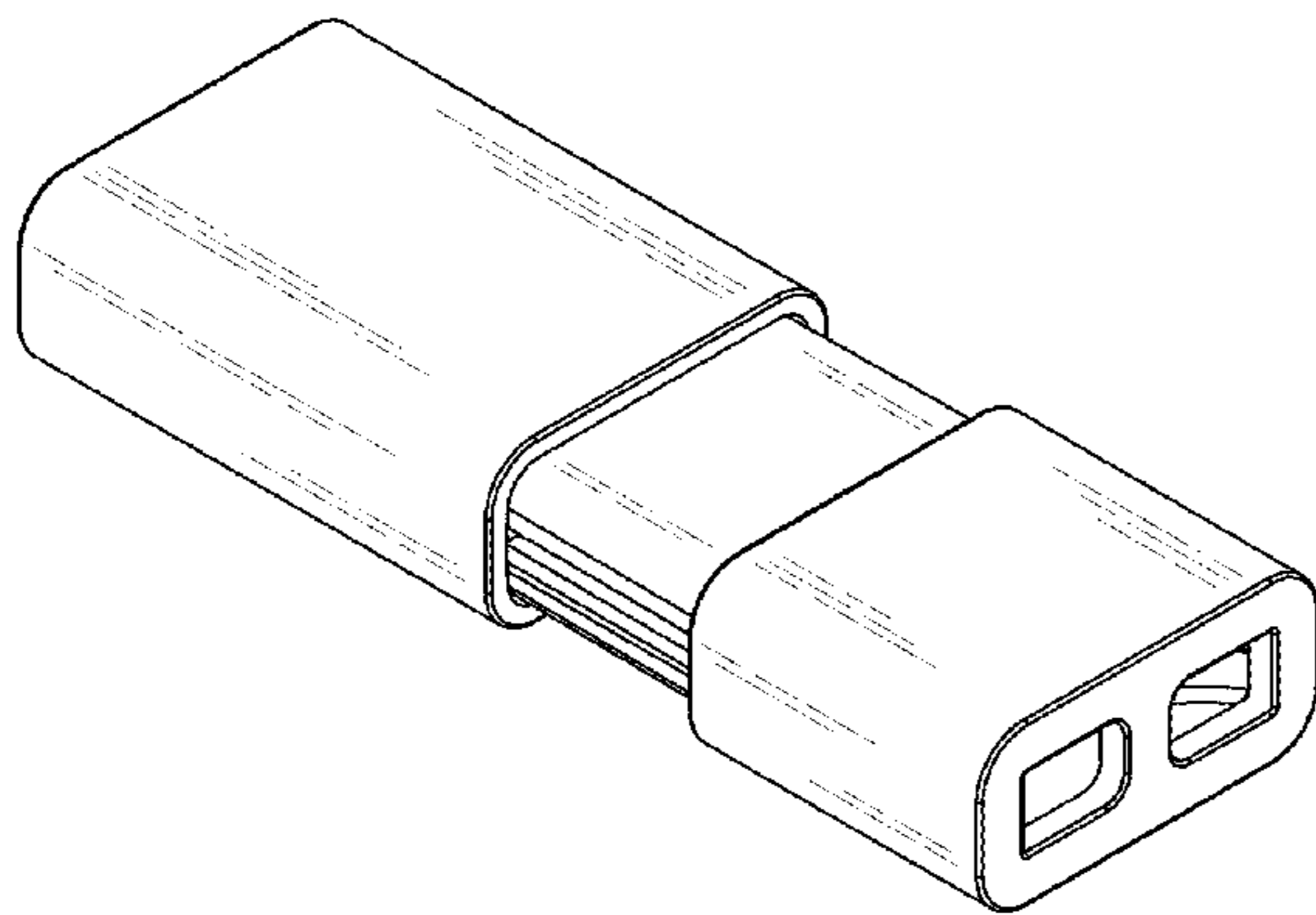
FIG. 6 is a top plan view thereof;

FIG. 7 is a bottom plan view thereof; and,

FIG. 8 is another perspective view of FIG. 1 showing that the data accessing device is in an extended position.

The broken line showing of the connector is for the purpose of illustrating a portion of the data accessing device and forms no part of the claimed design.

**1 Claim, 5 Drawing Sheets**



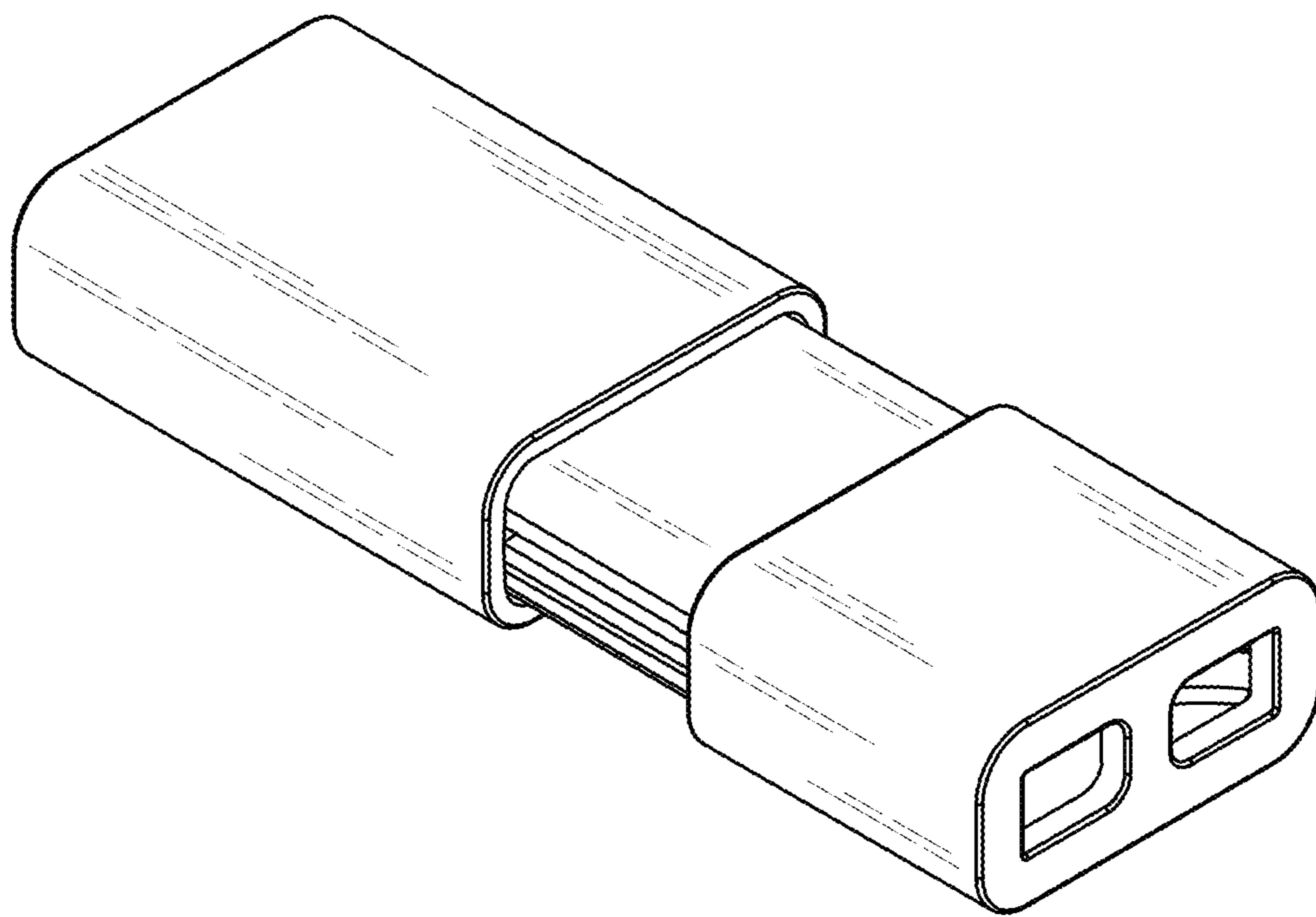


FIG. 1

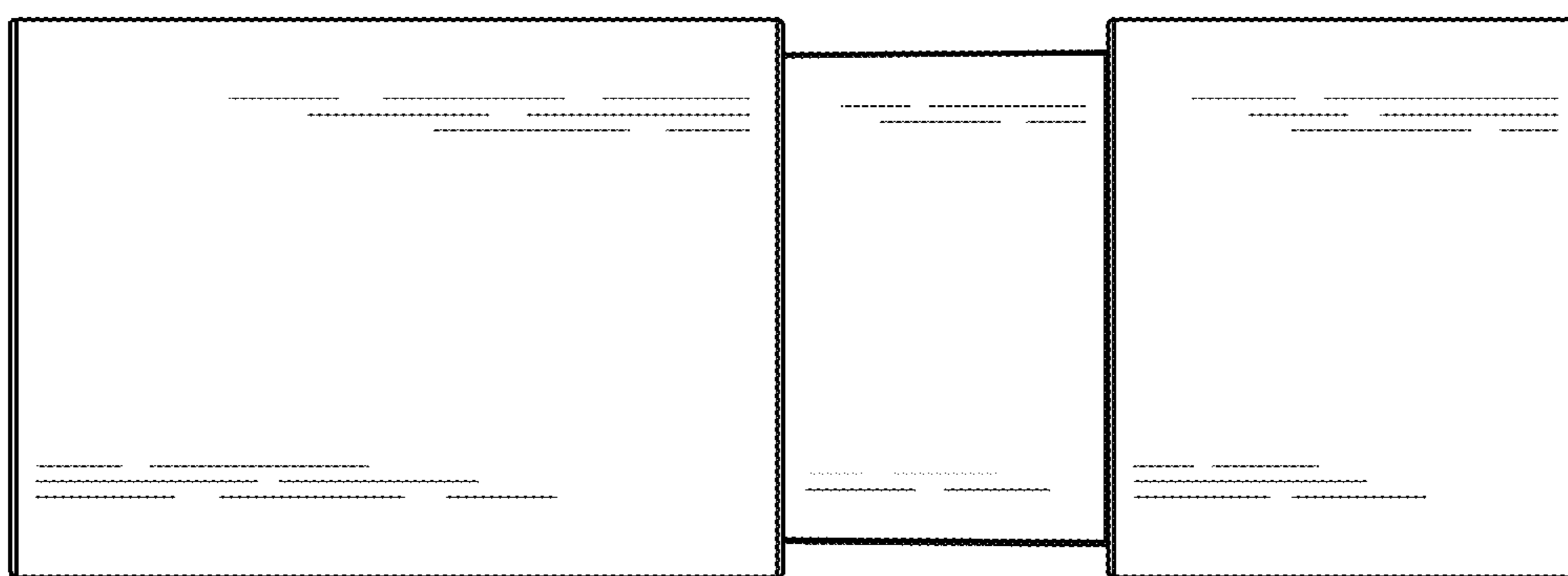


FIG. 2

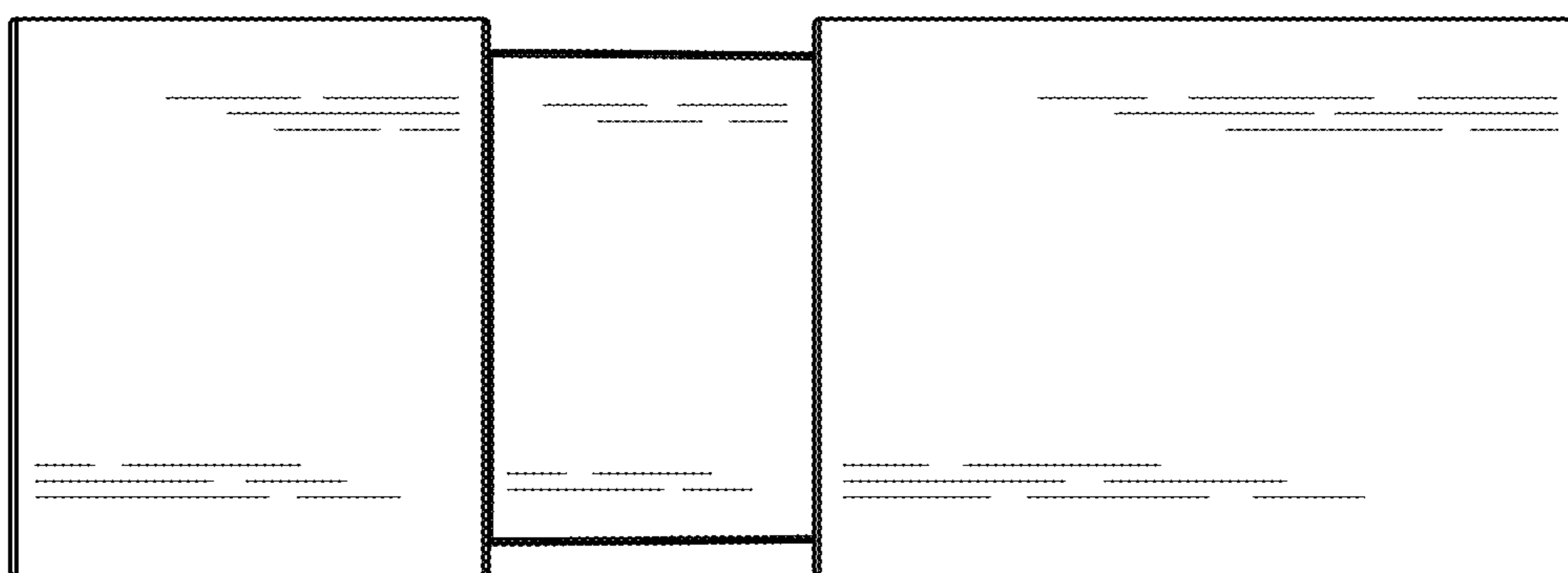


FIG. 3

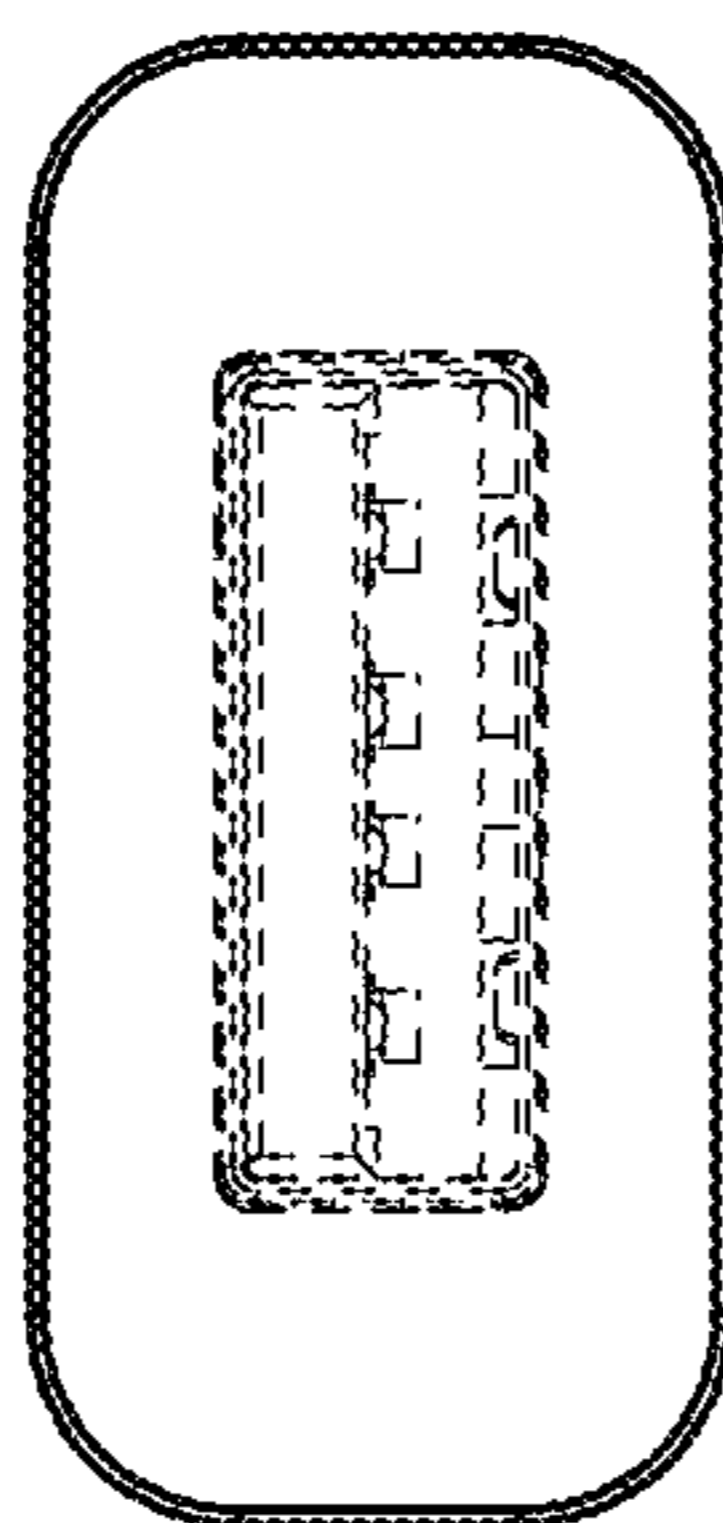


FIG. 4

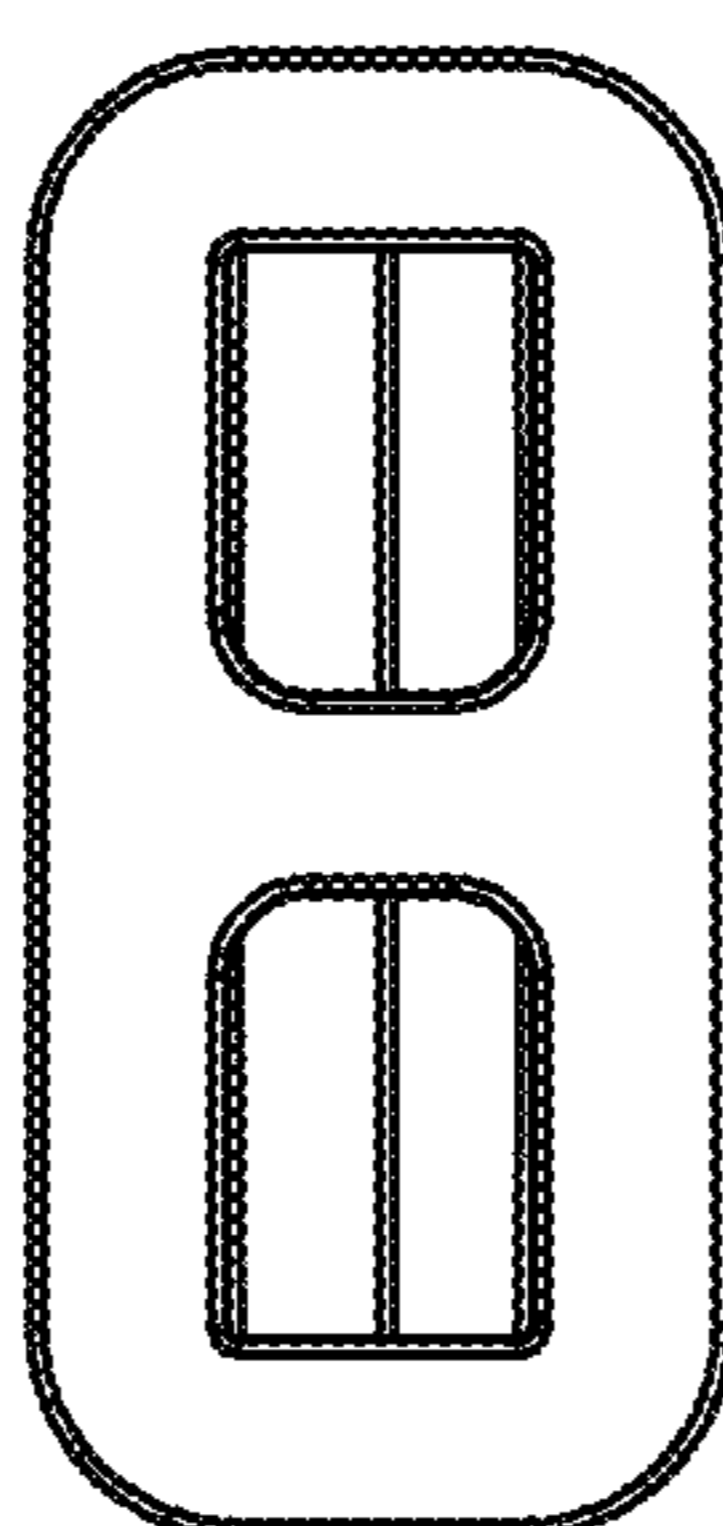


FIG. 5

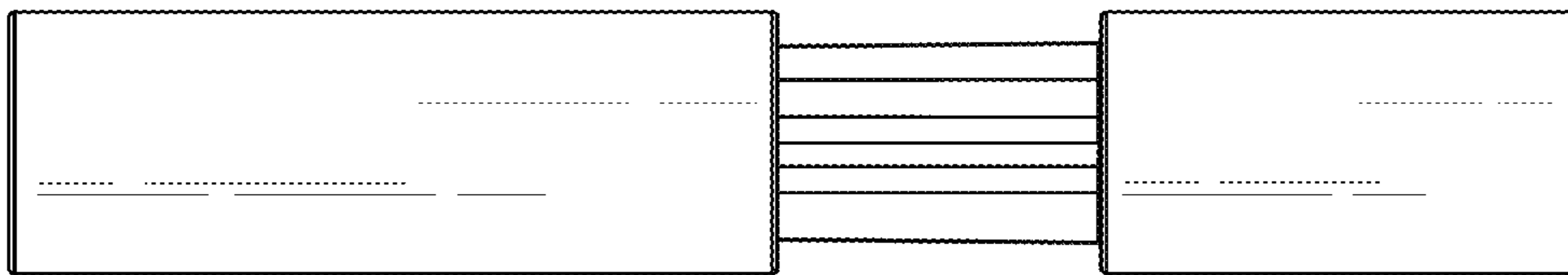


FIG. 6

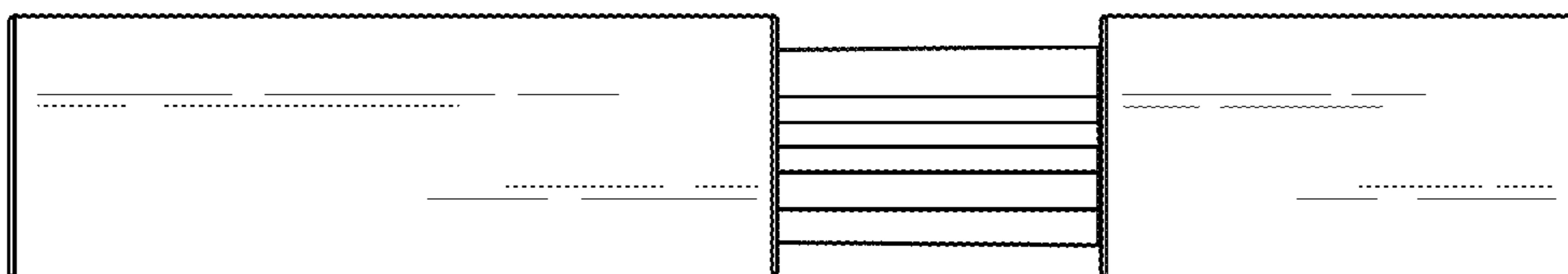


FIG. 7

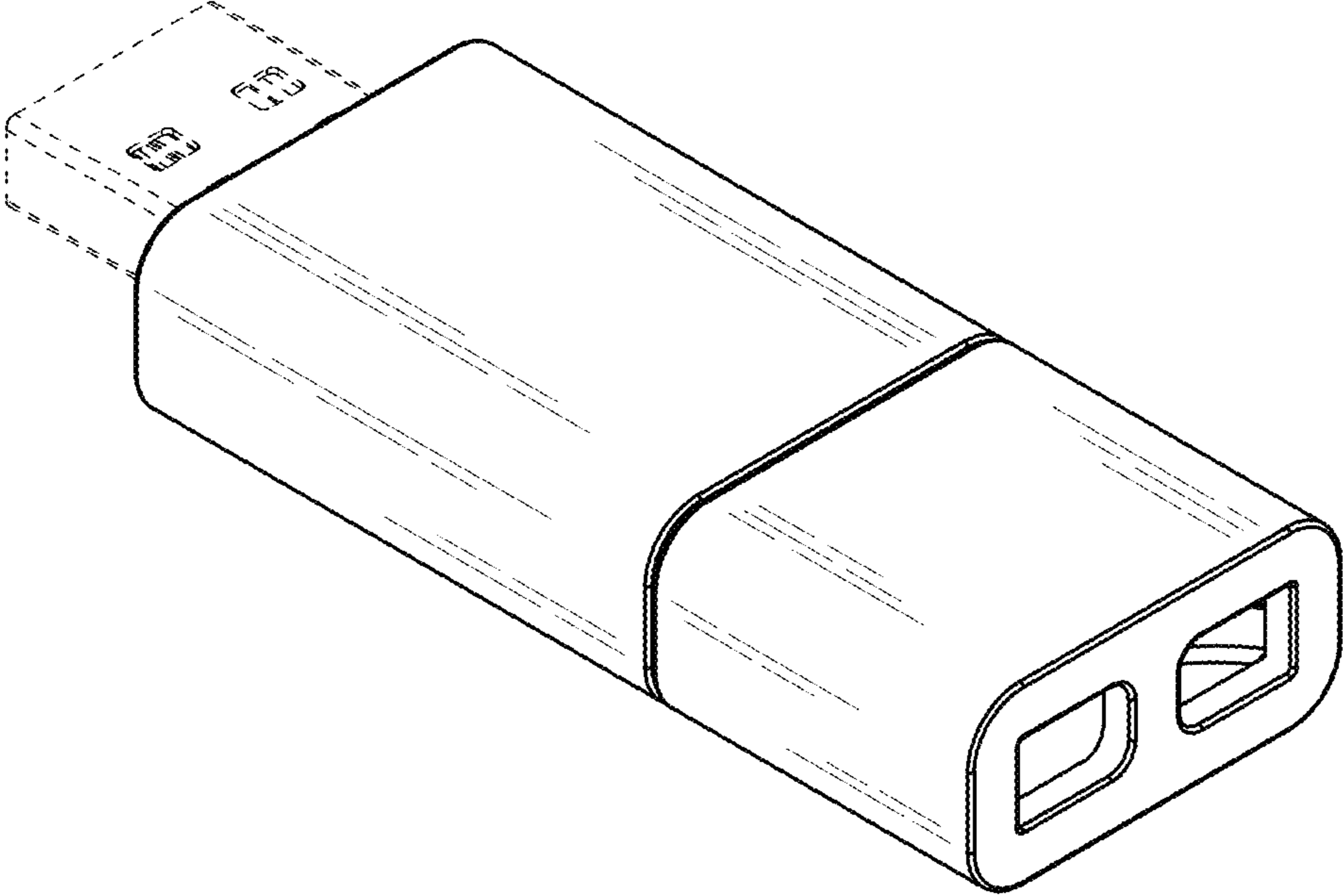


FIG. 8