



US00D706786S

(12) **United States Design Patent**
Pollex

(10) **Patent No.:** **US D706,786 S**
(45) **Date of Patent:** **** Jun. 10, 2014**

(54) **HANDLE FOR AN ELECTRONIC DEVICE**

(75) Inventor: **James Pollex**, Appleton, WI (US)

(73) Assignee: **TecDriven, LLC**, Hortonville, WI (US)

(**) Term: **14 Years**

(21) Appl. No.: **29/394,035**

(22) Filed: **Jun. 13, 2011**

(51) **LOC (10) Cl.** **14-02**

(52) **U.S. Cl.**
USPC **D14/453**

(58) **Field of Classification Search**
USPC D14/420, 426-430, 453, 346, 341, 347,
D14/412; D13/107, 184; 358/473;
235/462.43, 462.45, 462.47, 462.48,
235/462.44, 462.46, 487, 472.01, 472.02;
16/110.1, 430, 431; 439/133, 135;
709/219, 201; 710/73; 320/114, 115,
320/123; 361/679; 382/313, 321;
455/575.1, 561, 572
See application file for complete search history.

4,826,340	A	*	5/1989	Rothweiler et al.	401/279
D309,984	S	*	8/1990	Gingras	D4/138
D315,251	S	*	3/1991	Clivio	D4/115
5,033,897	A	*	7/1991	Chen	401/281
D324,914	S	*	3/1992	Bucher	D24/206
D330,788	S	*	11/1992	Berti	D32/45
D331,288	S	*	11/1992	Yuen	D24/214
5,240,339	A	*	8/1993	DeForest et al.	401/207
D341,445	S	*	11/1993	Morrison et al.	D28/7
5,322,382	A	*	6/1994	Hull et al.	401/131
D361,404	S	*	8/1995	Haas	D28/7
5,454,659	A	*	10/1995	Vosbikian et al.	401/207
D367,176	S	*	2/1996	Berti	D4/138
D368,343	S	*	3/1996	Gebhard et al.	D32/35
D369,882	S	*	5/1996	McCarthy	D28/7
D376,357	S	*	12/1996	Ferland et al.	D14/428
D381,771	S	*	7/1997	Chern	D28/63
5,673,455	A	*	10/1997	Per-Lee et al.	15/210.1
D387,704	S	*	12/1997	Berti	D4/114

(Continued)

Primary Examiner — Susan Moon Lee

(74) *Attorney, Agent, or Firm* — Alan R. Stewart; Stewart IP Law

(57) **CLAIM**

I claim the ornamental design for a handle for an electronic device, as shown and described.

DESCRIPTION

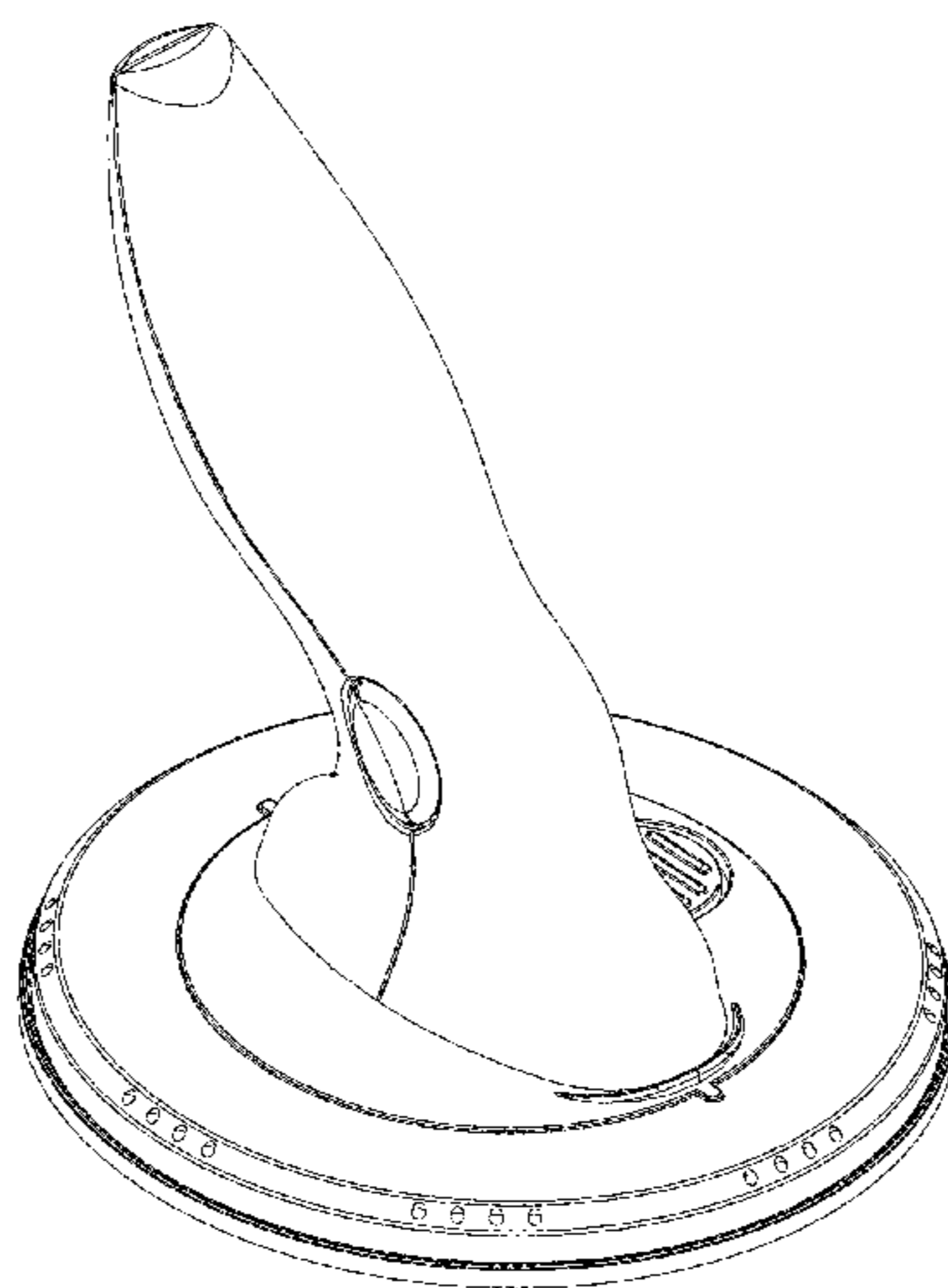
FIG. 1 is a perspective view of a handle for an electronic device showing my new design;
FIG. 2 is a front elevational view thereof;
FIG. 3 is a rear elevational view thereof;
FIG. 4 is a left side elevational view thereof, the right side being a mirror image;
FIG. 5 is a top plan view thereof;
FIG. 6 is a bottom plan view thereof; and,
FIG. 7 is a bottom plan view of the main handle alone, shown detached from the round base portion.
Broken lines and portions contained within broken lines are not claimed.

1 Claim, 4 Drawing Sheets

(56) **References Cited**

U.S. PATENT DOCUMENTS

D100,481	S	*	7/1936	Straszky	D24/214
2,780,829	A	*	2/1957	Cohen	15/365
2,879,532	A	*	3/1959	Szabo et al.	401/24
D193,171	S	*	7/1962	Hulsh	D4/114
D193,496	S	*	8/1962	Jacoff	D8/83
D197,637	S	*	3/1964	Vallis	D4/118
D222,792	S	*	12/1971	Krusche et al.	D4/137
3,910,265	A	*	10/1975	Coleman	601/160
4,148,318	A	*	4/1979	Meyer	604/3
4,244,075	A	*	1/1981	Silver	15/145
D267,282	S	*	12/1982	Gross	D32/51
4,399,578	A	*	8/1983	Bordeaux	15/97.1
D285,749	S	*	9/1986	Mariol	D4/115
4,720,883	A	*	1/1988	Sanchez	15/4
D294,202	S	*	2/1988	Adair	D4/114



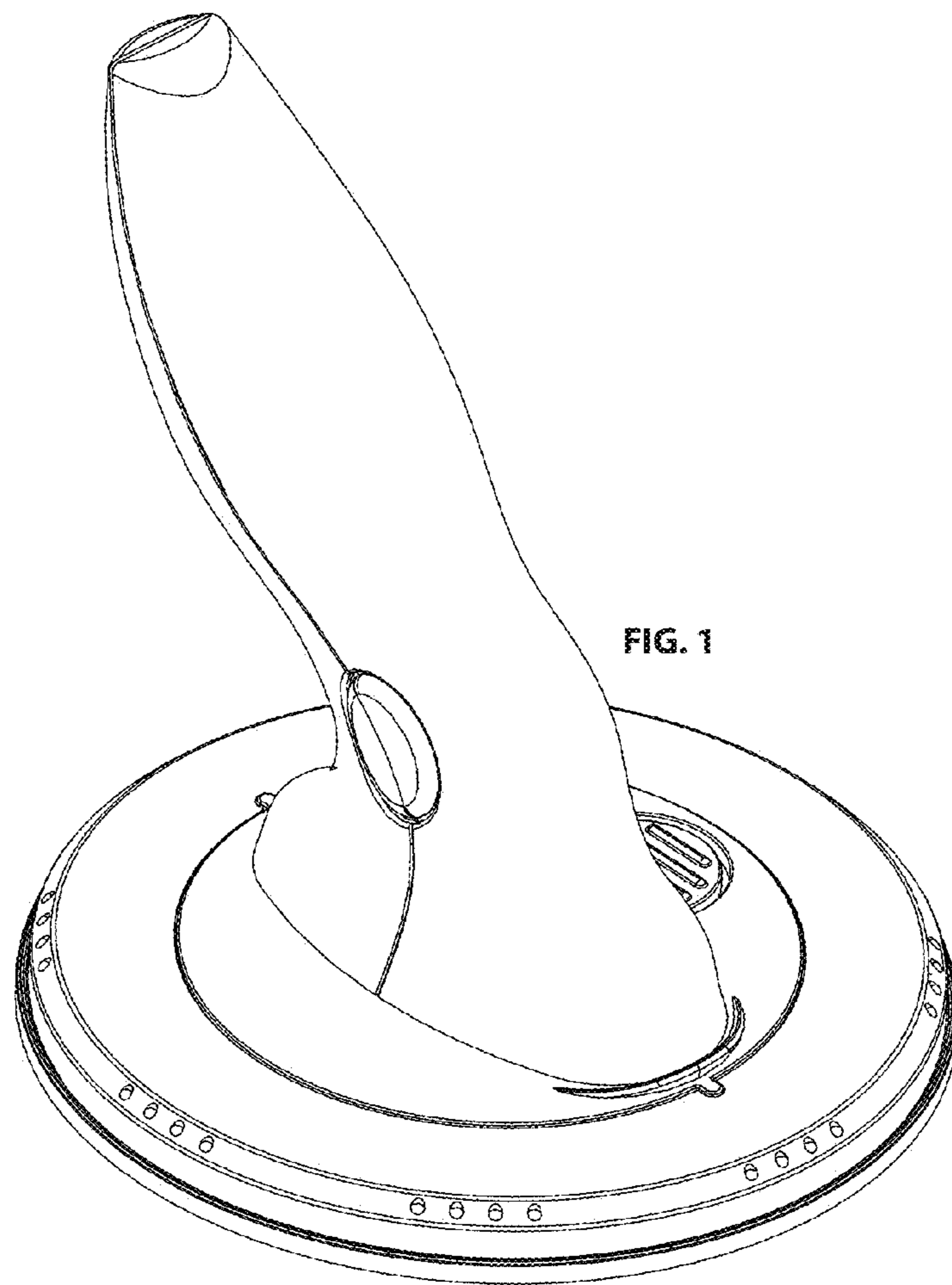
(56)

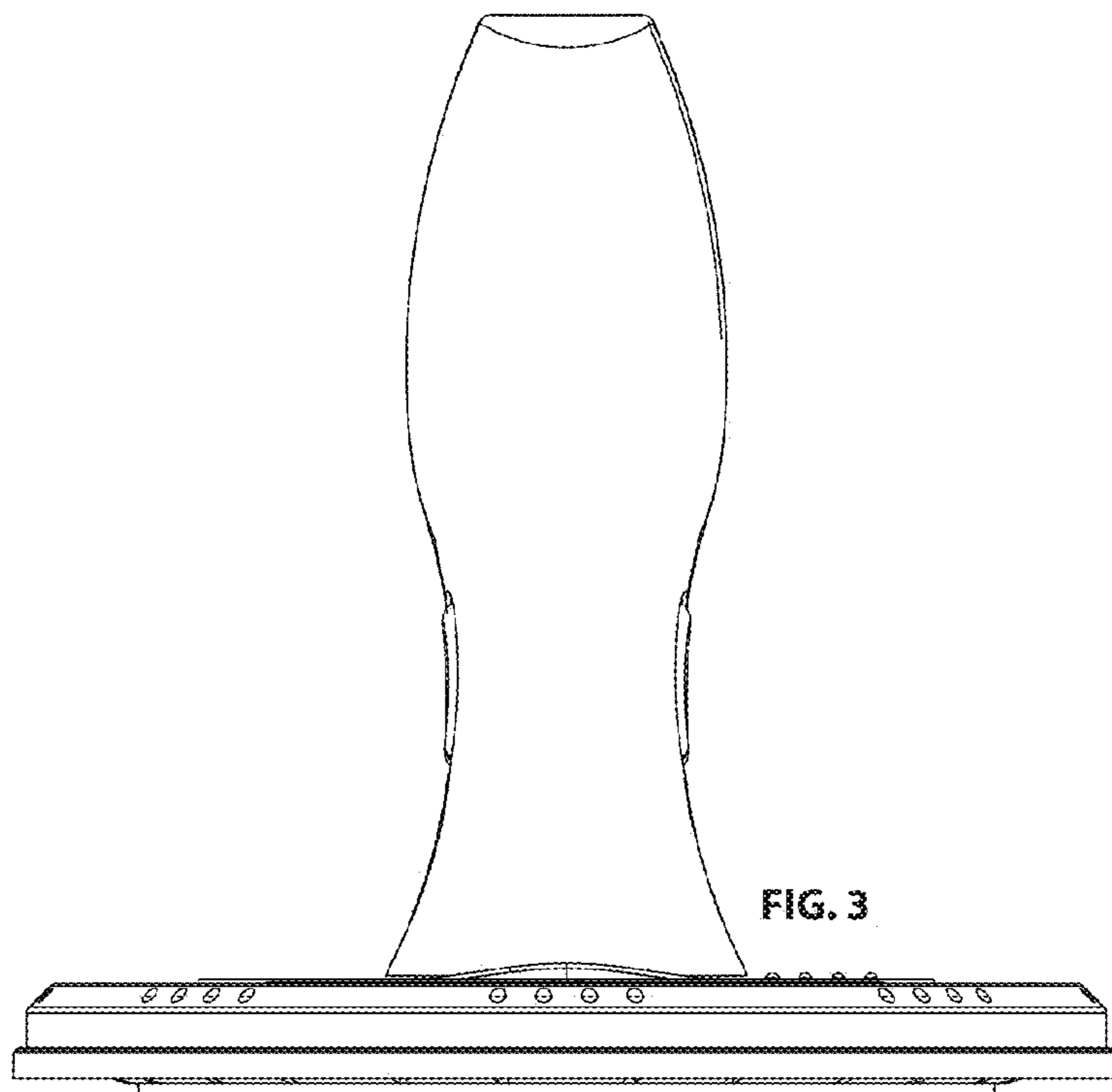
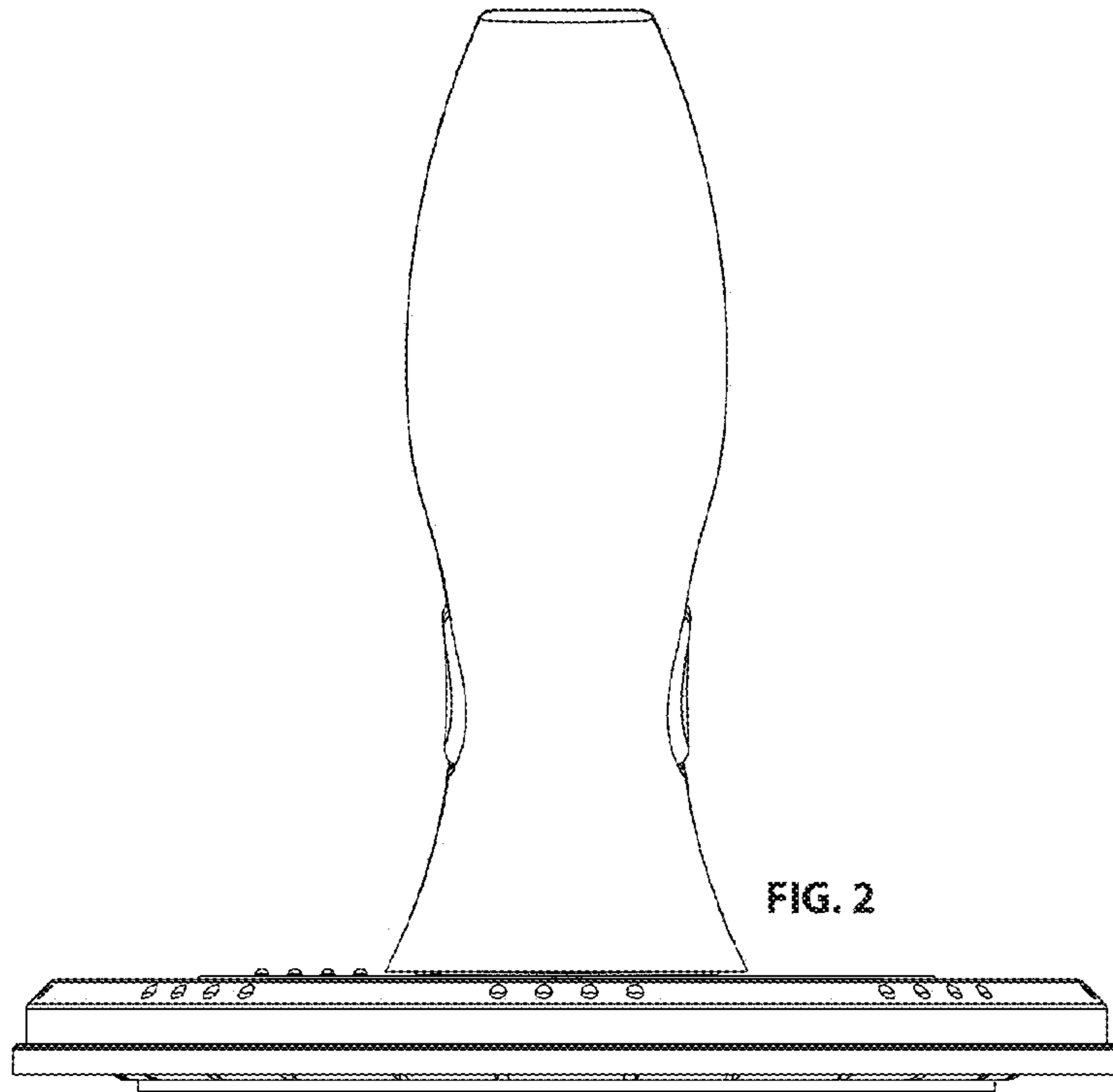
References Cited

U.S. PATENT DOCUMENTS

- D388,535 S * 12/1997 Per-Lee D28/7
D388,961 S * 1/1998 Berti D4/138
D389,625 S * 1/1998 Feldman et al. D32/49
D403,946 S * 1/1999 Shih D8/107
D408,532 S * 4/1999 Schmidt et al. D14/428
D410,110 S * 5/1999 Roland D28/7
D411,368 S * 6/1999 Liu D4/118
5,934,296 A * 8/1999 Clay 132/320
5,946,760 A * 9/1999 Eames, Jr. 15/230
5,950,268 A * 9/1999 Murphy et al. 15/28
5,956,792 A * 9/1999 Gutelius et al. 15/22.2
D416,883 S * 11/1999 Wagner et al. D14/426
D417,551 S * 12/1999 Pinchuk D4/136
6,022,163 A * 2/2000 Asfur 401/175
D426,916 S * 6/2000 Ebert D28/7
6,116,122 A * 9/2000 Lien-Sheng 81/177.1
6,139,553 A * 10/2000 Dotan 606/131
D435,557 S * 12/2000 Eisenberg et al. D14/428
6,178,970 B1 * 1/2001 Purifoy et al. 132/76.4
6,250,833 B1 * 6/2001 Perry et al. 401/278
D445,786 S * 7/2001 Skelton D14/341
D446,898 S * 8/2001 Brewer et al. D32/45
D453,420 S * 2/2002 Offer et al. D4/132
D455,430 S * 4/2002 Krantz D14/426
D455,750 S * 4/2002 Krantz D14/426
6,378,157 B1 * 4/2002 Kosla et al. 15/230
D456,808 S * 5/2002 Fitch et al. D14/428
6,394,355 B1 * 5/2002 Schlieffers et al. 235/472.01
D458,760 S * 6/2002 Rowe et al. D4/127
D460,075 S * 7/2002 Destefano et al.
D460,272 S * 7/2002 Fong D4/138
6,425,701 B1 * 7/2002 Jacobs 401/6
D465,309 S * 11/2002 Foersterling D32/35
D465,930 S * 11/2002 Offer et al. D4/134
D467,434 S * 12/2002 Choi et al. D4/127
D468,109 S * 1/2003 Plante et al. D4/138
6,506,006 B2 * 1/2003 Lui et al. 409/182
D470,497 S * 2/2003 Byun et al. D14/426
D473,682 S * 4/2003 Plante et al. D30/158
D473,987 S * 4/2003 Foersterling D32/35
D476,160 S * 6/2003 Choi D4/121
D478,385 S * 8/2003 Dirks et al. D24/215
6,637,441 B2 * 10/2003 Kennedy et al. 132/212
6,662,808 B2 * 12/2003 Leason et al. 132/212
D484,705 S * 1/2004 Dotterman et al. D4/138
6,679,857 B1 * 1/2004 Bastia et al. 601/72
6,700,489 B1 * 3/2004 Easter et al. 340/572.3
6,708,887 B1 * 3/2004 Garrett et al.
6,733,466 B2 * 5/2004 Huang 601/108
D491,310 S * 6/2004 Glucksman et al. D28/35
D492,119 S * 6/2004 Hay D4/127
D493,569 S * 7/2004 Angeletta D28/7
D493,962 S * 8/2004 Dotterman et al. D4/138
D495,494 S * 9/2004 Berti D4/127
D498,022 S * 11/2004 Hanefeld D28/7
D499,510 S * 12/2004 Angeletta D28/7
D501,607 S * 2/2005 Hay et al. D4/114
D502,301 S * 2/2005 Hay D32/52
D502,568 S * 3/2005 Longoria D28/7
D509,829 S * 9/2005 MacGregor D14/453
6,945,722 B2 * 9/2005 Colburn et al. 401/11
D511,626 S * 11/2005 Hay et al. D4/138
D512,794 S * 12/2005 Angeletta D28/7
D513,366 S * 1/2006 Hay et al. D4/115
D518,916 S * 4/2006 Angeletta D28/7
7,040,830 B2 * 5/2006 Kliegman et al. 401/290
D524,546 S * 7/2006 Ajluni et al. D4/114
D524,547 S * 7/2006 Hay D4/127
7,179,152 B1 * 2/2007 Rhoades 451/41
D539,544 S * 4/2007 Rosa et al. D4/102
D547,003 S * 7/2007 Angeletta D28/7
D549,411 S * 8/2007 McNeeley et al. D32/45
D549,412 S * 8/2007 McNeeley et al. D32/45
D550,416 S * 9/2007 Berti D32/45
D552,809 S * 10/2007 Linsbichler D32/14.1
D554,314 S * 10/2007 Kubes et al. D32/45
7,281,663 B2 * 10/2007 Schmidt et al. 235/462.46
D558,417 S * 12/2007 Libman et al. D32/45
D559,488 S * 1/2008 Libman et al. D32/45
D565,846 S * 4/2008 Holcomb et al. D4/114
D568,609 S * 5/2008 Evans D4/102
D569,378 S * 5/2008 Wanamaker D14/426
D574,838 S * 8/2008 Palmer D14/453
D575,517 S * 8/2008 Libman et al. D4/127
7,414,337 B2 * 8/2008 Wilkinson et al. 310/50
D581,931 S * 12/2008 Pine D14/426
D584,060 S * 1/2009 Hay et al. D4/138
D590,111 S * 4/2009 Wiljanen et al. D32/32
D591,953 S * 5/2009 Krus et al. D4/127
D592,857 S * 5/2009 Bohannon et al. D4/118
D595,964 S * 7/2009 Choi D4/114
D597,317 S * 8/2009 McNeil et al. D4/138
D600,025 S * 9/2009 Hill et al. D4/114
D601,806 S * 10/2009 Choi D4/114
D601,807 S * 10/2009 Choi D4/114
D604,303 S * 11/2009 Boyd D14/453
D605,821 S * 12/2009 Shaanan D32/35
D606,269 S * 12/2009 Treeby et al. D32/40
7,658,565 B2 * 2/2010 Colburn et al. 401/11
D612,612 S * 3/2010 Harris et al. D4/102
D613,003 S * 3/2010 Miller et al. D30/158
7,682,097 B2 * 3/2010 Knopow et al. 401/136
D613,912 S * 4/2010 Benacquisto D30/158
D615,714 S * 5/2010 Matz et al. D30/158
7,717,635 B1 * 5/2010 Schmidig 401/6
D619,583 S * 7/2010 Wintour D14/426
D619,811 S * 7/2010 Gringer D4/138
D622,510 S * 8/2010 Wales D4/114
D624,254 S * 9/2010 Ediger et al. D32/17
D625,473 S * 10/2010 Matz et al. D30/159
D625,521 S * 10/2010 Barnes et al. D4/118
D629,985 S * 12/2010 Lee D32/51
D630,021 S * 1/2011 Libman et al. D4/138
D630,857 S * 1/2011 Cox et al. D4/138
D633,095 S * 2/2011 Cullen et al.
D637,928 S * 5/2011 Nguyen et al. D10/80
D640,874 S * 7/2011 Huang D4/138
8,152,400 B2 * 4/2012 LaFlamme et al. 401/188 R
D660,006 S * 5/2012 Li D4/121
D669,083 S * 10/2012 Brain D14/426
D671,121 S * 11/2012 Schickling et al. D14/426
D672,562 S * 12/2012 Chang D4/138
D673,372 S * 1/2013 Wales D4/114
D681,959 S * 5/2013 Myoung D4/127
D685,549 S * 7/2013 Wong D32/40
D690,481 S * 9/2013 Roehm et al. D32/45
D692,431 S * 10/2013 Arceta D14/427
D696,456 S * 12/2013 Julemont D28/35
2001/0034920 A1 * 11/2001 Brown 15/244.1
2002/0096125 A1 * 7/2002 Fong 119/664
2002/0104887 A1 * 8/2002 Schlieffers et al. 235/472.02
2002/0156402 A1 * 10/2002 Woog et al. 601/46
2004/0105715 A1 * 6/2004 Spelman et al. 401/6
2004/0265042 A1 * 12/2004 Chan et al. 401/270
2005/0241594 A1 * 11/2005 Willinger et al. 119/625
2006/0010625 A1 * 1/2006 Tapper et al. 15/97.1
2009/0193626 A1 * 8/2009 Boes 16/425
2010/0117885 A1 * 5/2010 Holbrook et al. 342/22
2010/0186504 A1 * 7/2010 Cipriano et al. 73/504.12
2010/0225299 A1 * 9/2010 Nguyen et al. 324/67

* cited by examiner





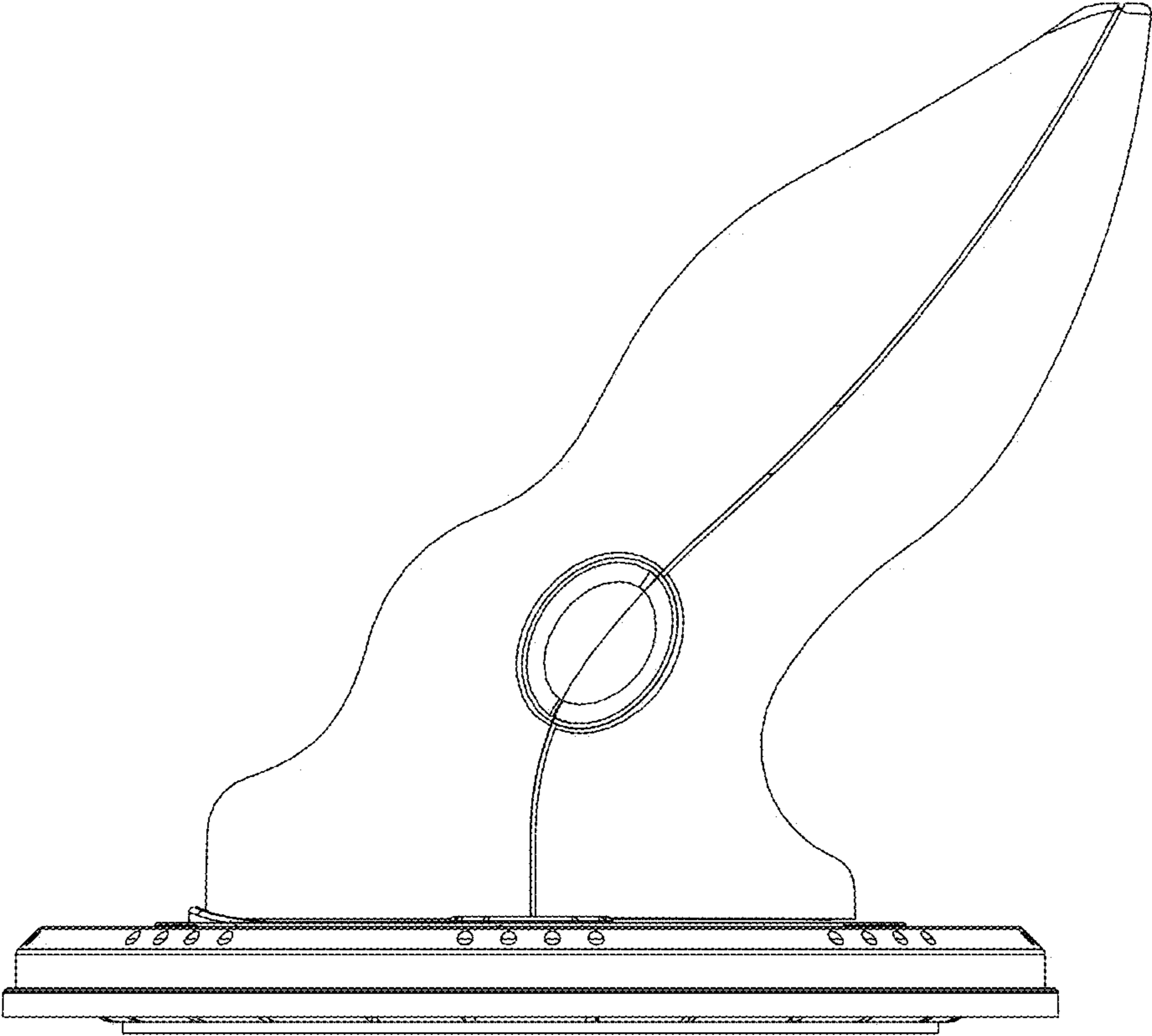


FIG. 4

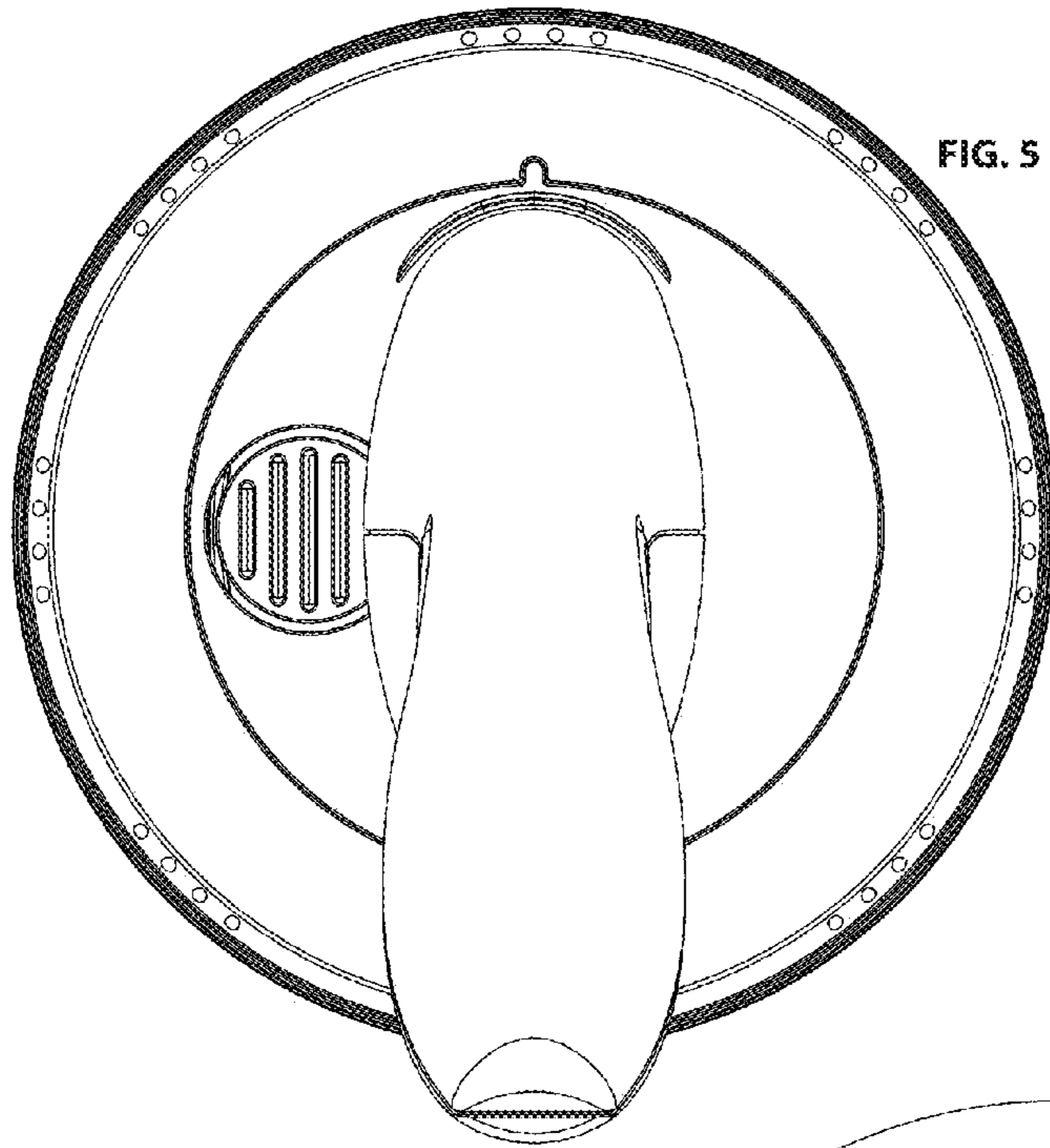


FIG. 5

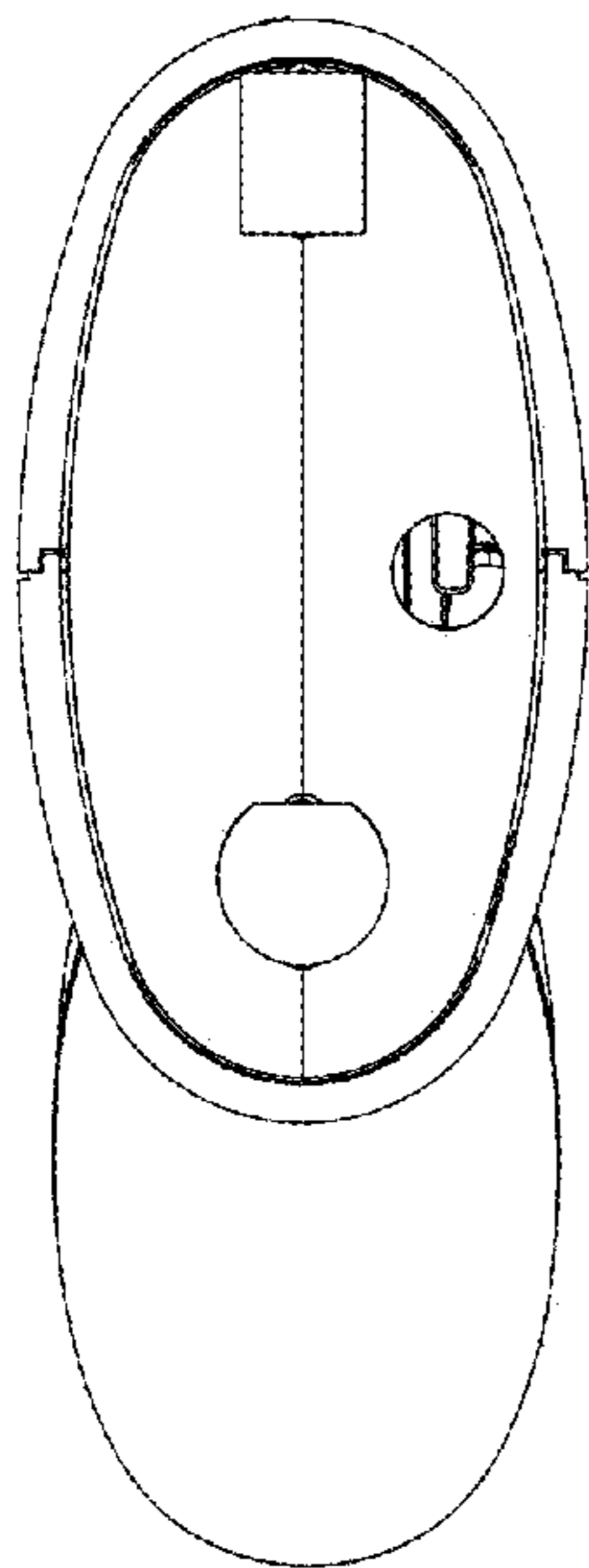


FIG. 7

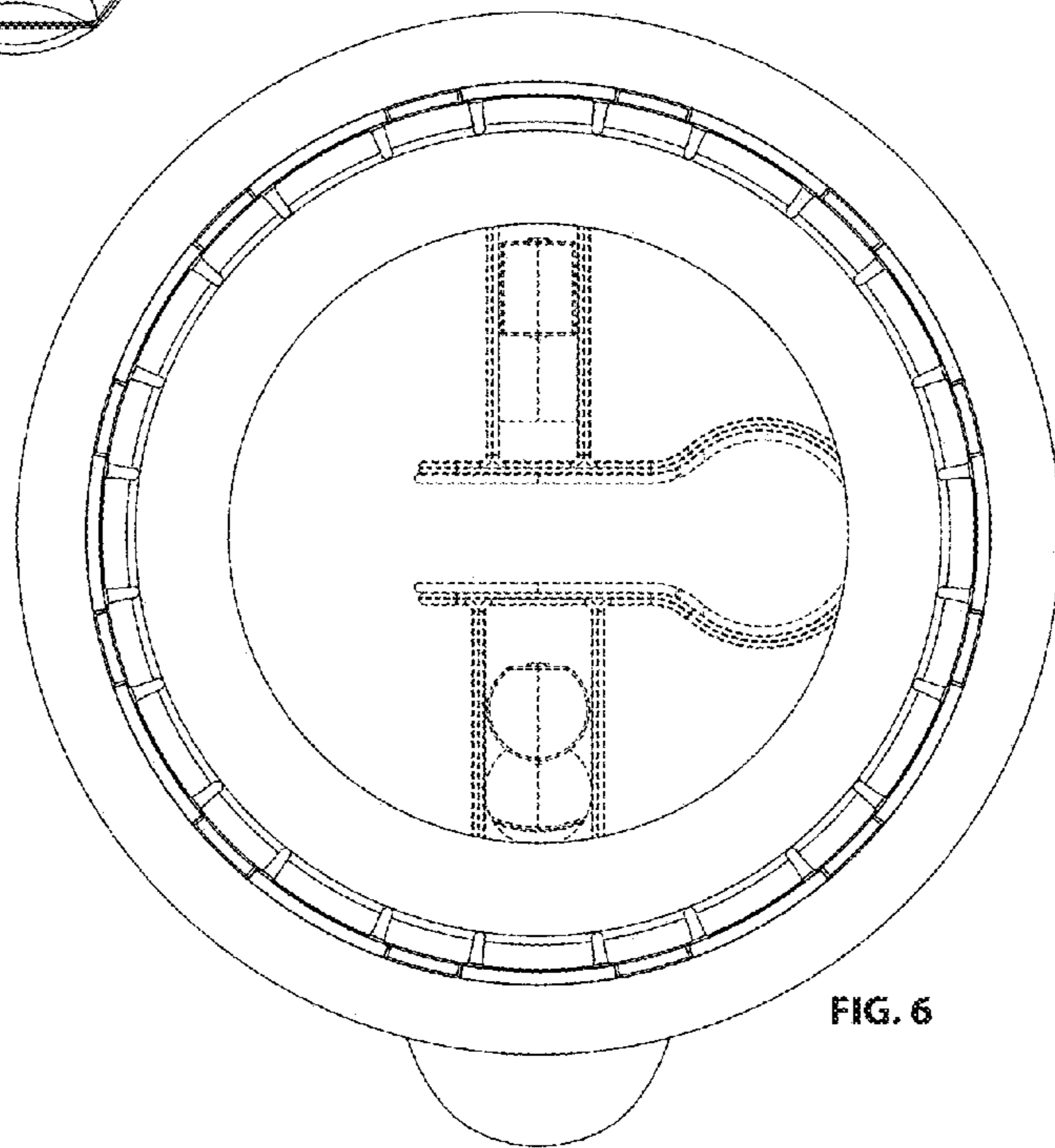


FIG. 6