



US00D706785S

(12) **United States Design Patent**  
**Brittain et al.**

(10) **Patent No.:** **US D706,785 S**  
(45) **Date of Patent:** **\*\* Jun. 10, 2014**

(54) **PERSONAL ELECTRONIC DEVICE CRADLE**

(56) **References Cited**

(71) Applicants: **Daniel Kirk Brittain**, Hickory, NC (US); **John Preston Anthony**, Charlotte, NC (US); **Sidney Gaines Cash**, Winter Park, FL (US)

(72) Inventors: **Daniel Kirk Brittain**, Hickory, NC (US); **John Preston Anthony**, Charlotte, NC (US); **Sidney Gaines Cash**, Winter Park, FL (US)

(\*\*) Term: **14 Years**

(21) Appl. No.: **29/472,211**

(22) Filed: **Nov. 10, 2013**

(51) **LOC (10) Cl.** ..... **08-07**

(52) **U.S. Cl.**  
USPC ..... **D14/447**

(58) **Field of Classification Search**  
CPC ..... A47B 97/005; A47B 2097/006; A47B 21/04; A47B 2021/00; A47B 23/00; A47B 23/043; A47B 2021/0314; A47B 2021/0307; A47B 2023/005; A47B 2023/049; F16M 13/00; F16M 2200/00; H04B 1/3888; H04M 1/04; H04M 1/185; A45C 13/002; A45C 2011/002; A45C 2011/003; A45C 2013/025; A45F 2200/0516; A45F 2200/0525; G06F 1/163  
USPC ..... D14/447, 432, 434, 439, 440, 451, 452, D14/457, 460, 461, 238.1, 250, 251, 253; D3/218; D6/406.3, 406.4, 406.5, D6/406.6; 248/444, 441.1, 188.6, 248/917-924; 361/679.02, 679.03, 679.04, 361/679.09, 679.21, 679.26, 679.27, 679.3, 361/679.55, 679.56

See application file for complete search history.

U.S. PATENT DOCUMENTS

D328,302 S *	7/1992	Murzanski et al. ....	D14/253
D454,136 S *	3/2002	Deuschle .....	D14/447
D614,613 S *	4/2010	Kim et al. ....	D14/253
D654,054 S *	2/2012	Kohte et al. ....	D14/217
D663,735 S *	7/2012	Musselman .....	D14/447
D689,502 S *	9/2013	Belitz et al. ....	D14/447
D693,352 S *	11/2013	Gelsomini et al. ....	D14/447
D693,824 S *	11/2013	Erdfarb .....	D14/447
D693,892 S *	11/2013	Bentley et al. ....	D21/796
D696,672 S *	12/2013	Brittain et al. ....	D14/447
D697,514 S *	1/2014	Davis et al. ....	D14/447
D697,515 S *	1/2014	Adelman et al. ....	D14/447
D697,919 S *	1/2014	Gelsomini et al. ....	D14/447

\* cited by examiner

*Primary Examiner* — Angela J Lee

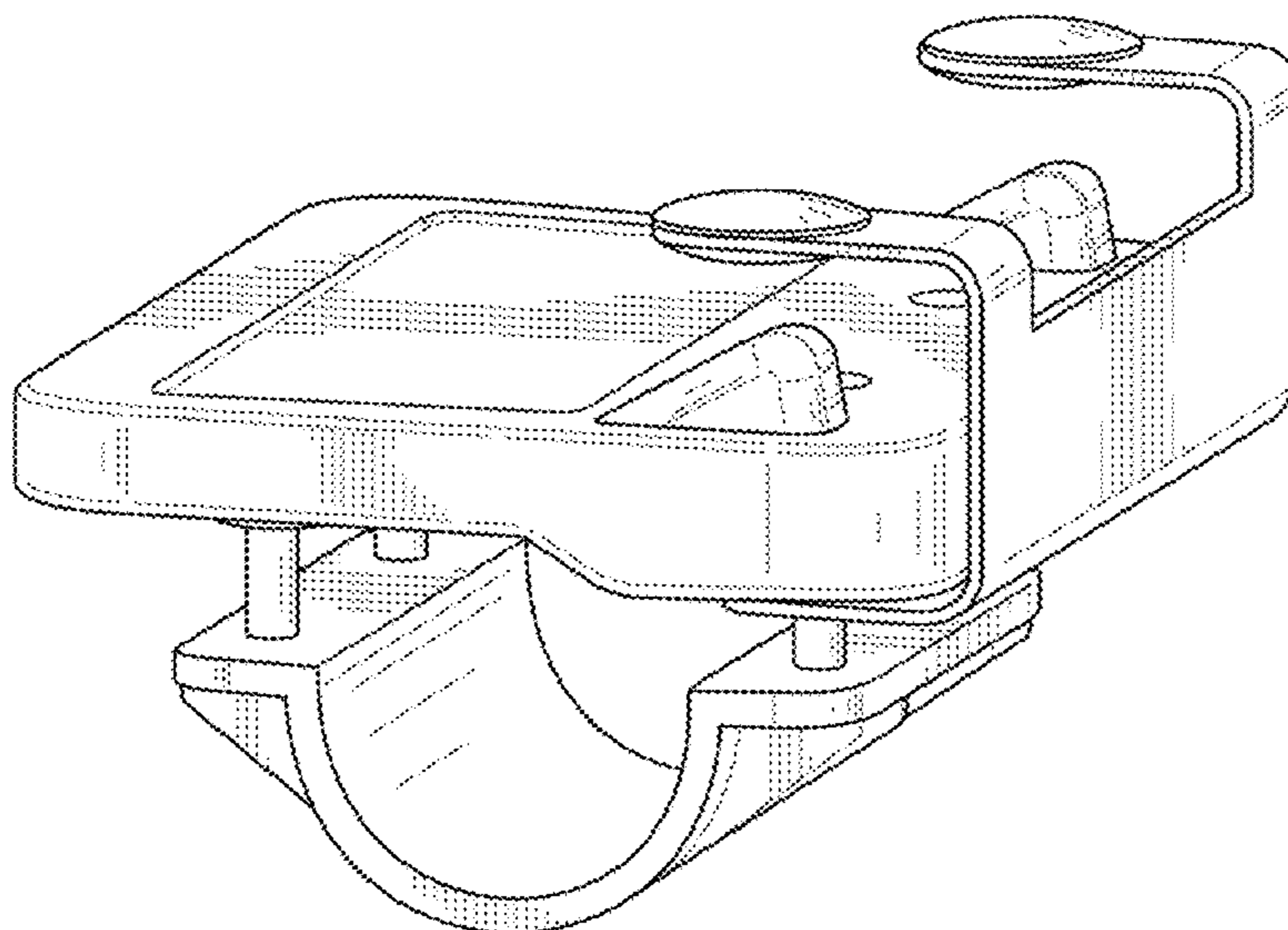
(57) **CLAIM**

The ornamental design for a personal electronic device cradle, as shown and described.

**DESCRIPTION**

FIG. 1 is a left side perspective view of the personal electronic device cradle;  
FIG. 2 is another left side perspective view thereof, but without the environment shown in broken lines;  
FIG. 3 is a rear view thereof;  
FIG. 4 is a front view thereof;  
FIG. 5 is a left side view thereof;  
FIG. 6 is a right side view thereof;  
FIG. 7 is a top plan view thereof; and,  
FIG. 8 is a bottom plan view thereof.  
The broken lines shown in the drawings represent environment that form no part of the claimed design.

**1 Claim, 6 Drawing Sheets**



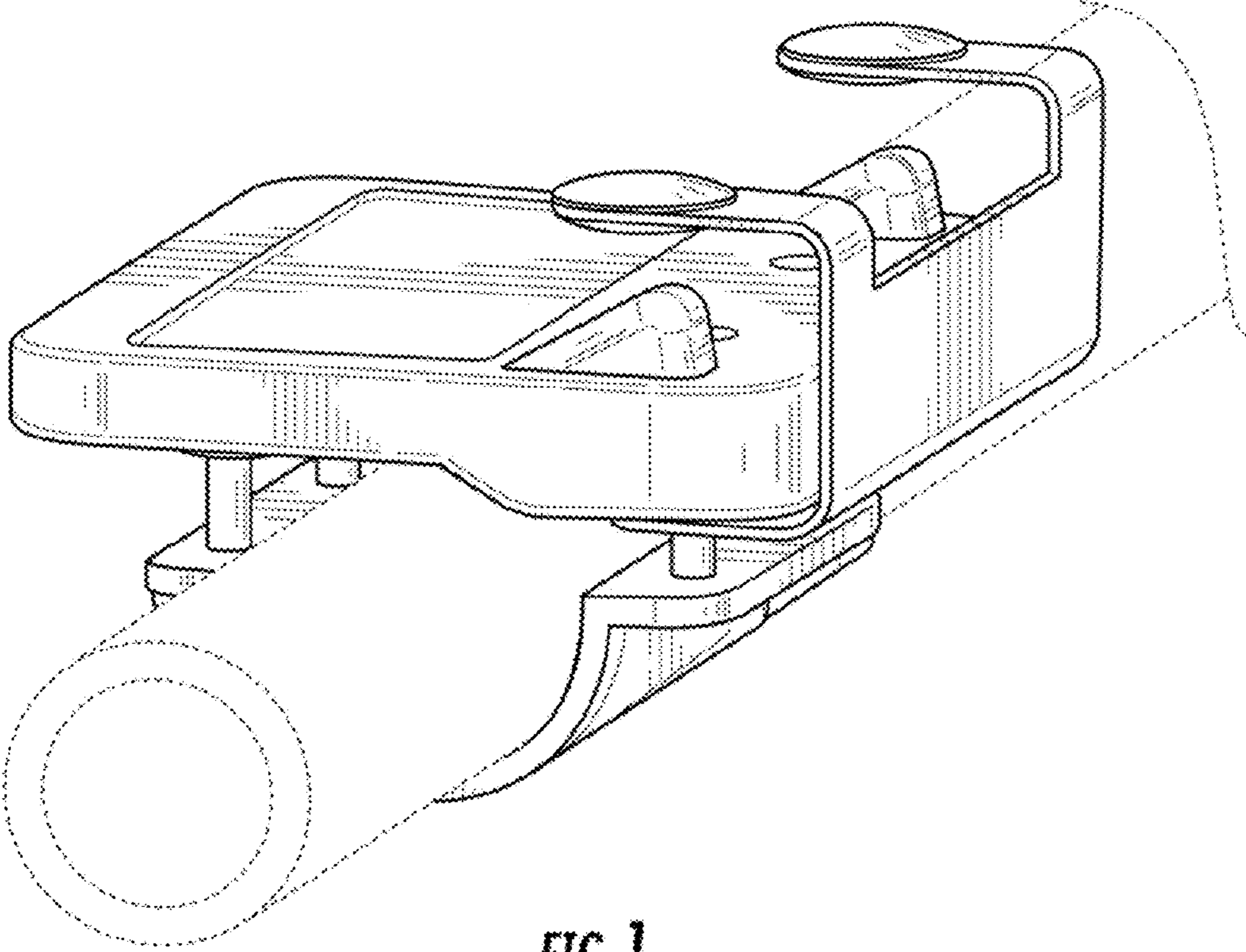


FIG. 1

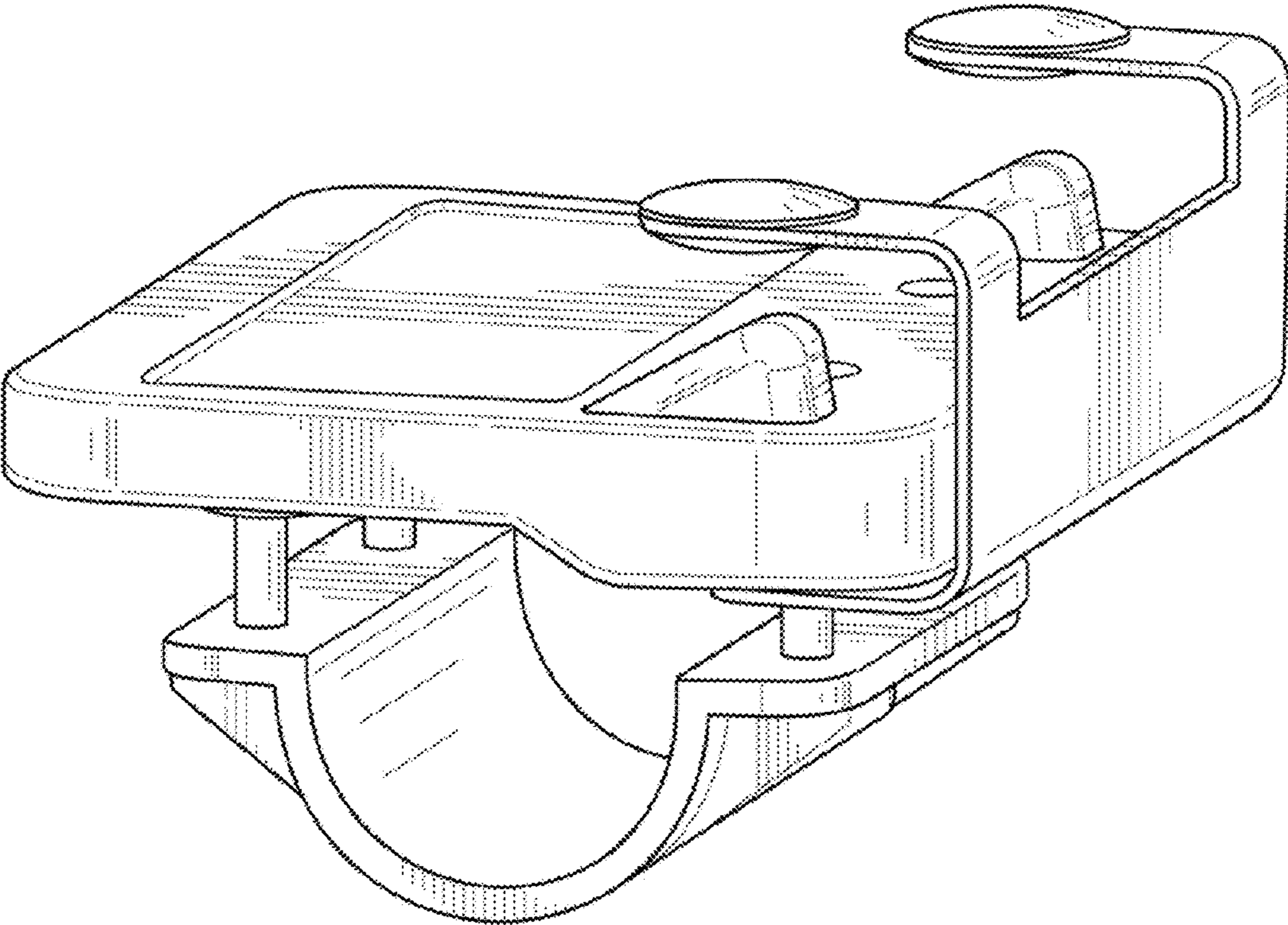


FIG. 2

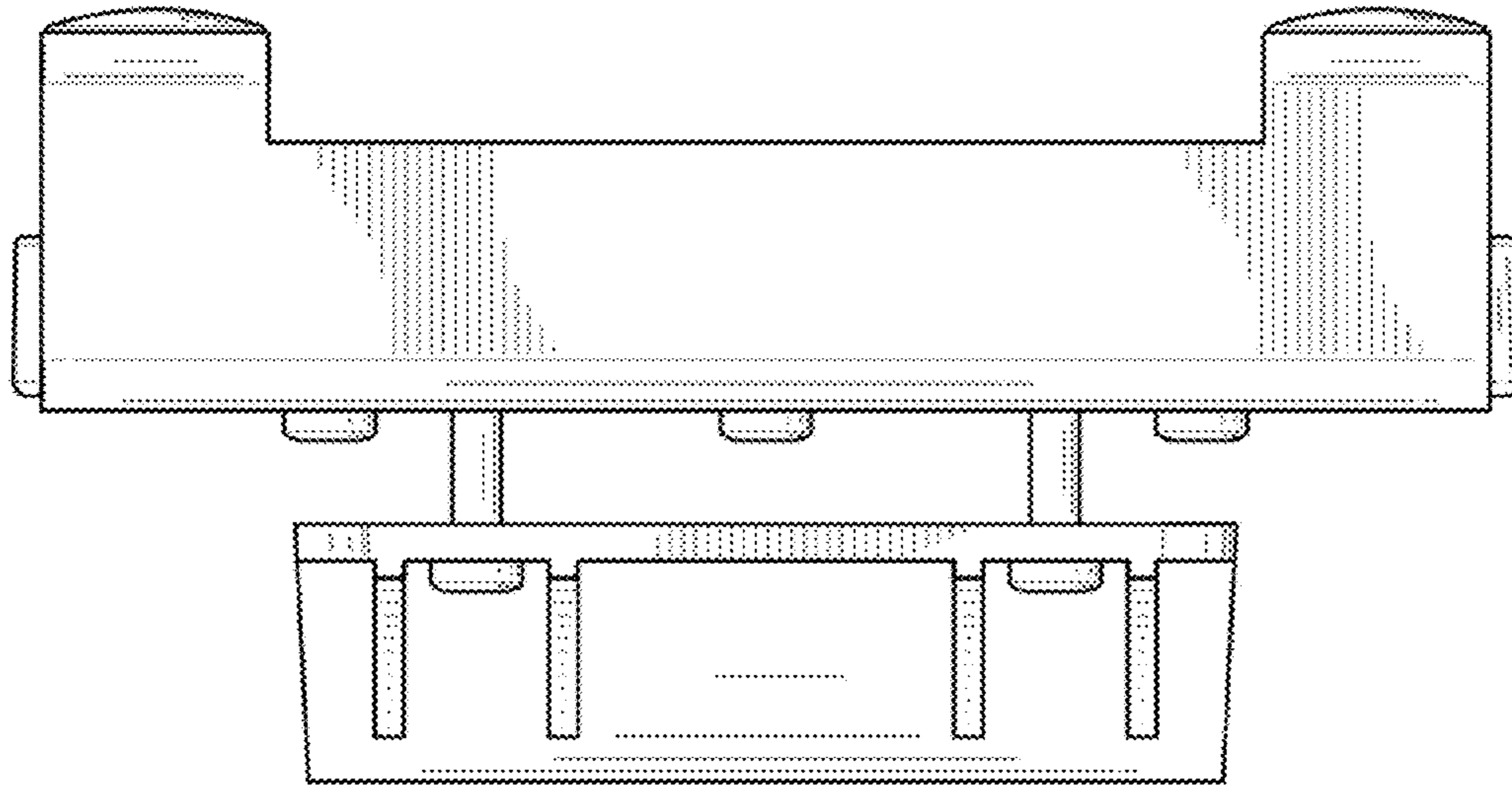


FIG. 3

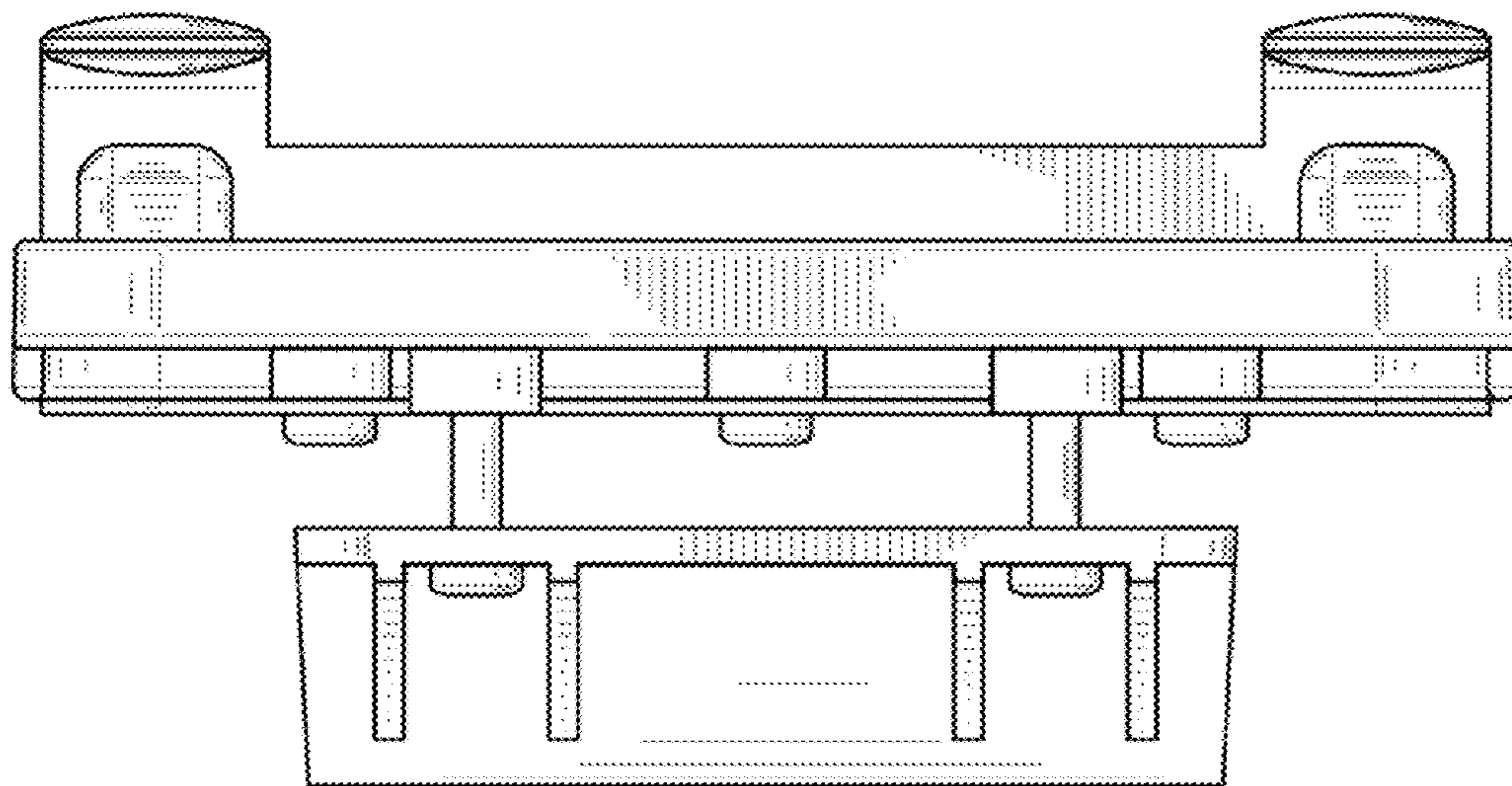


FIG. 4

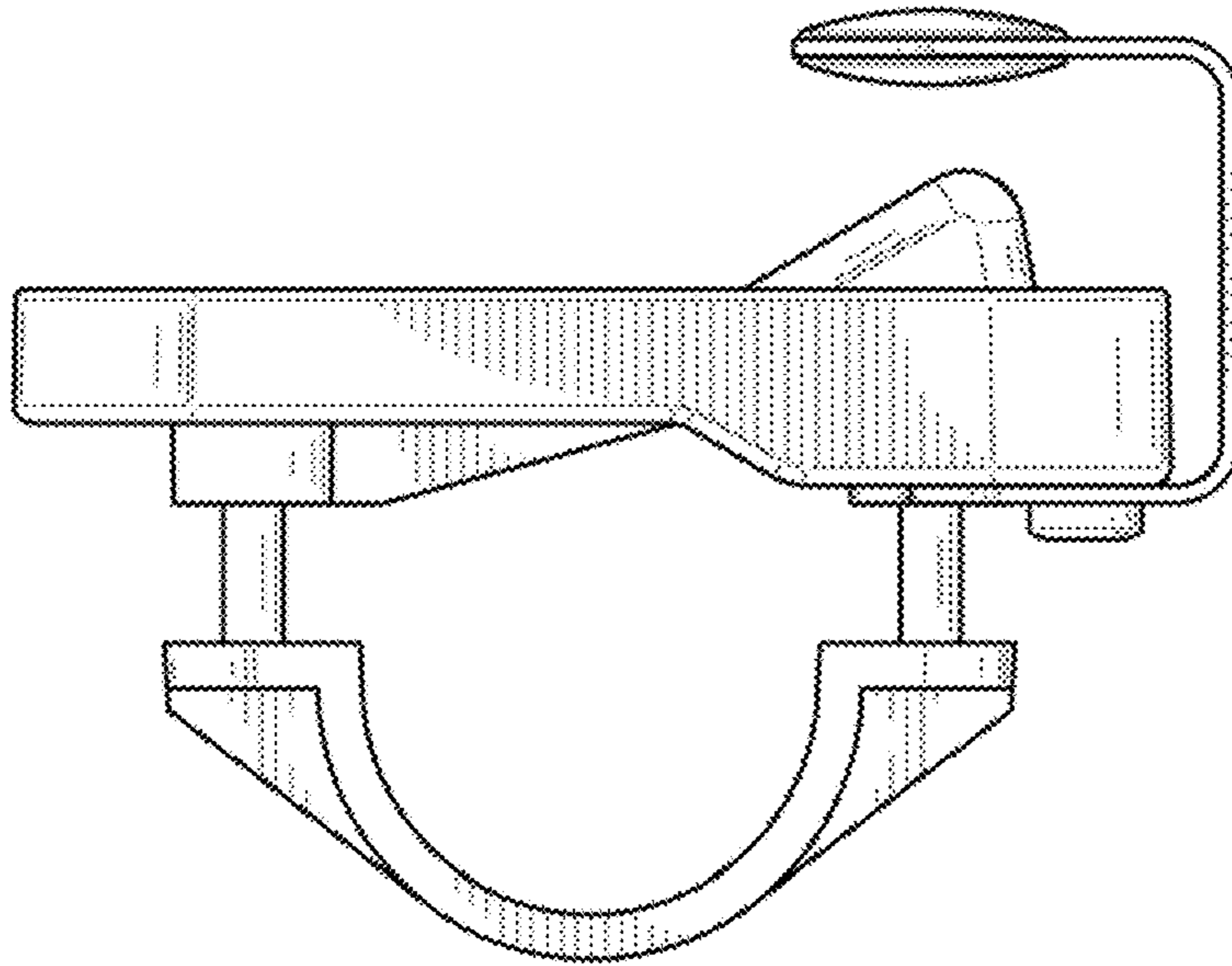


FIG. 5

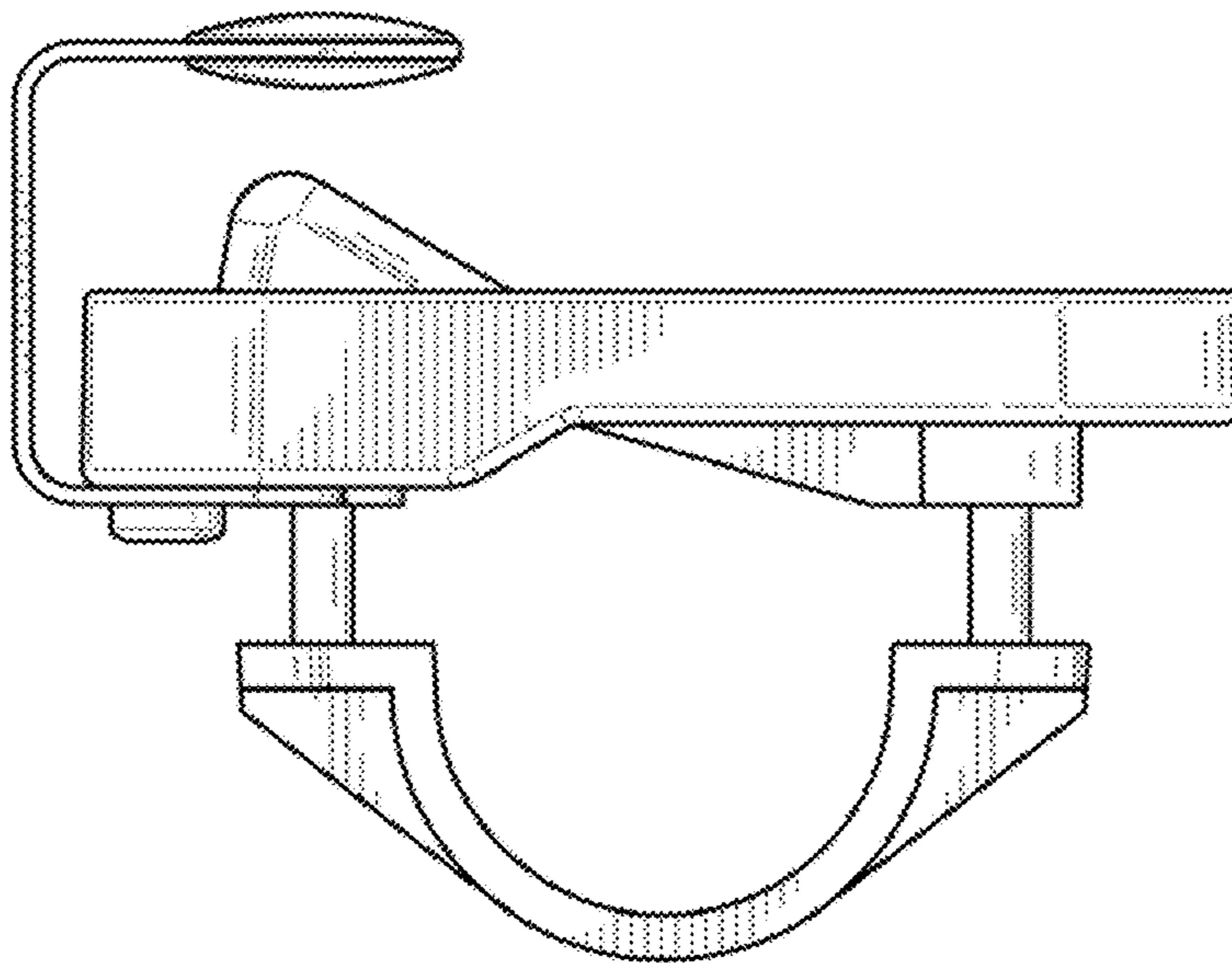


FIG. 6

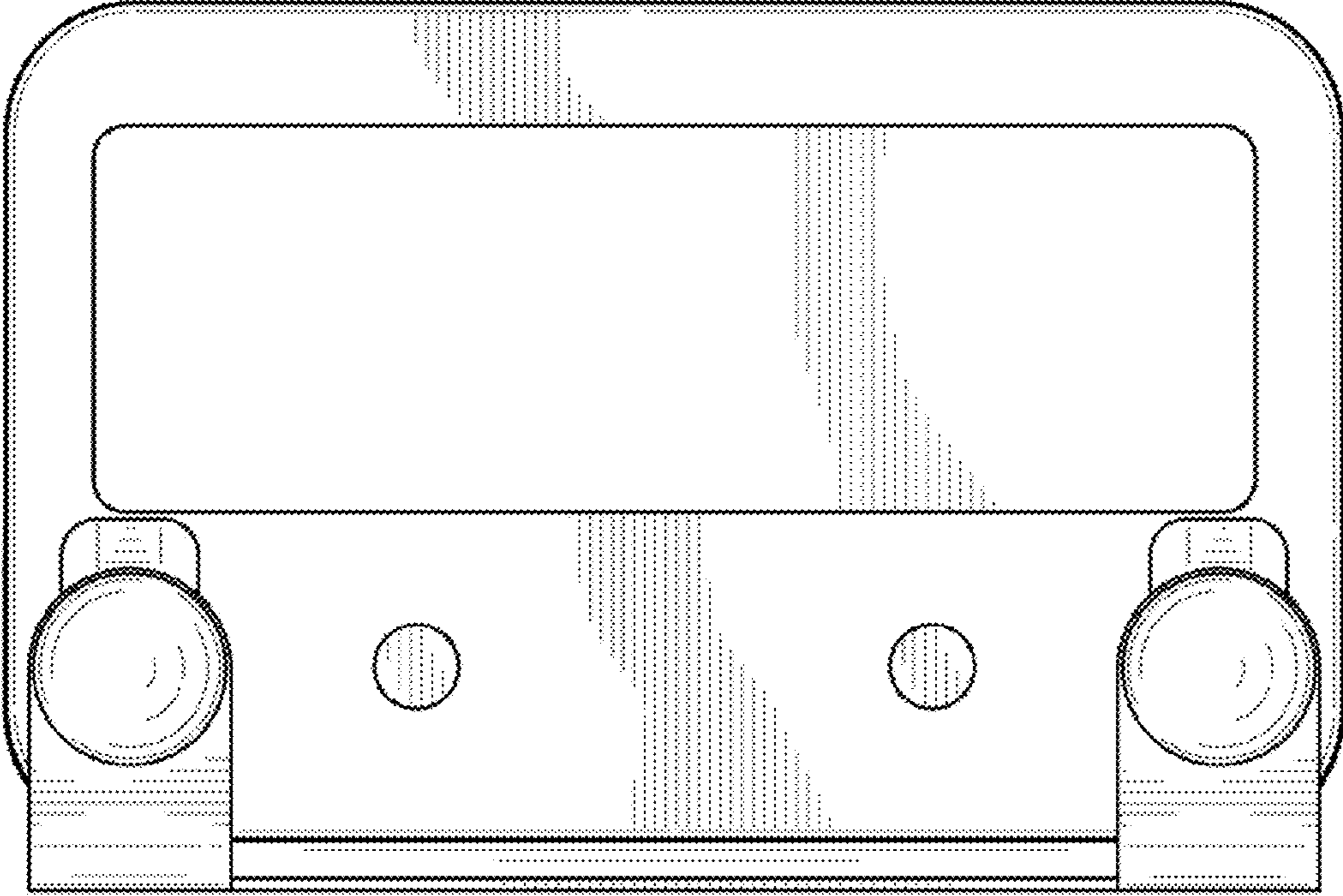


FIG. 7

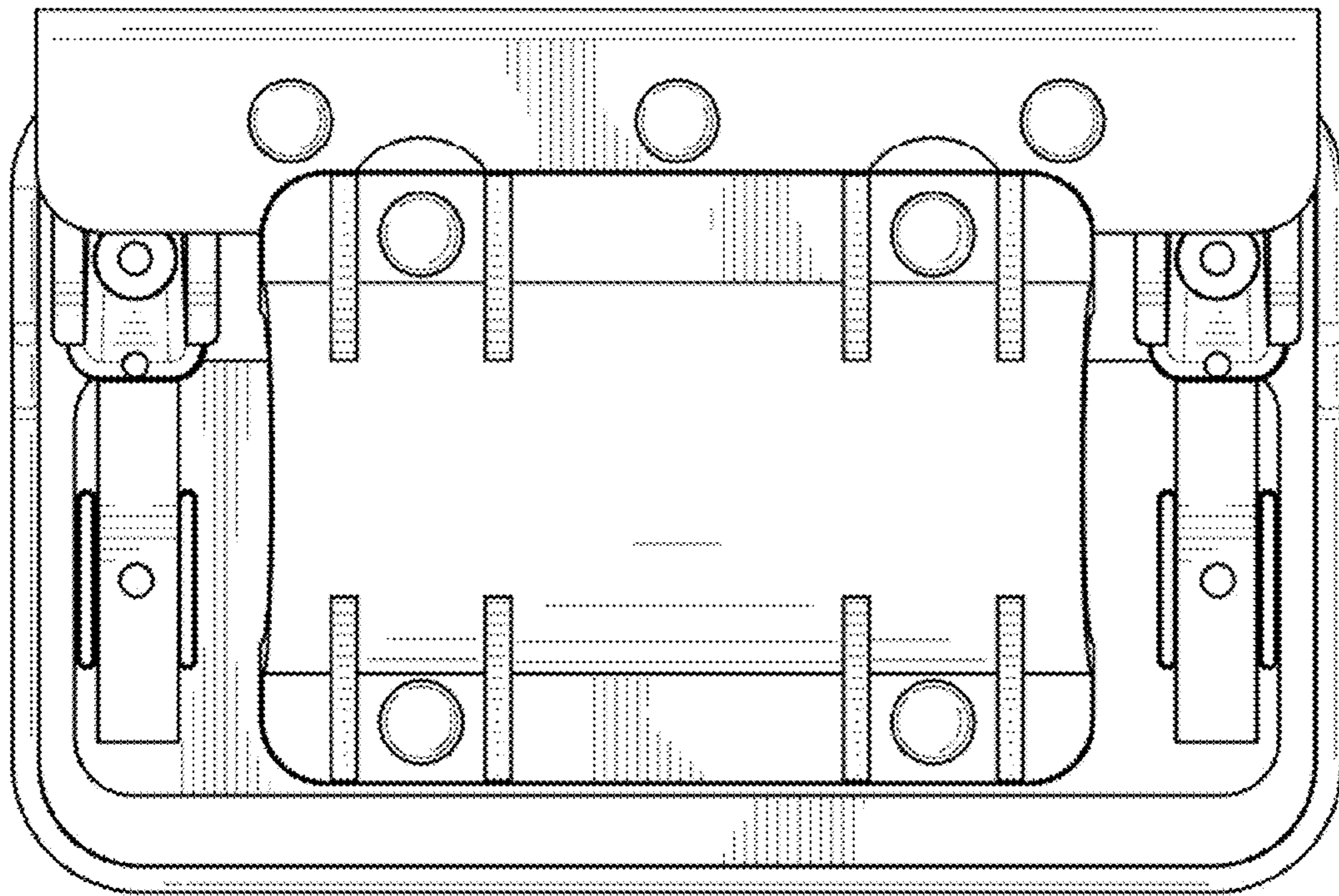


FIG. 8