



US00D706782S

(12) **United States Design Patent**  
**Dresser, III**

(10) **Patent No.:** **US D706,782 S**  
(45) **Date of Patent:** **\*\* Jun. 10, 2014**

- (54) **CASE**
- (75) **Inventor:** **Walter James Dresser, III**, Sycamore, IL (US)
- (73) **Assignee:** **New Concepts Development Corp.**, Woodstock, IL (US)
- (\*\*) **Term:** **14 Years**
- (21) **Appl. No.:** **29/389,153**
- (22) **Filed:** **Apr. 7, 2011**
- (51) **LOC (10) Cl.** ..... **14-02**
- (52) **U.S. Cl.**  
USPC ..... **D14/440**
- (58) **Field of Classification Search**  
USPC ..... D14/250, 251, 253, 240, 217, 496, 440, D14/203.3, 203.4, 203.5, 203.8, 432, 439, D14/300; D3/218, 215, 201; 220/4.02; 248/309.1; 361/679.56; 379/426, 379/433.11, 455; 455/575.1, 575.8; 190/100; 206/305, 320  
See application file for complete search history.

D646,266	S	*	10/2011	Kim et al.	.....	D14/250
D654,069	S	*	2/2012	Kwon et al.	.....	D14/250
8,132,670	B1	*	3/2012	Chen	.....	206/320
D659,139	S	*	5/2012	Gengler	.....	D14/392
D662,503	S	*	6/2012	Akana et al.	.....	D14/439
D665,809	S	*	8/2012	Wang et al.	.....	D14/439
8,245,843	B1	*	8/2012	Wu	.....	206/320
D673,958	S	*	1/2013	Fathollahi	.....	D14/440
D675,210	S	*	1/2013	Kim	.....	D14/440
D675,624	S	*	2/2013	Wibby et al.	.....	D14/440
D679,714	S	*	4/2013	Smith et al.	.....	D14/440
2010/0289390	A1	*	11/2010	Kenney	.....	312/223.1

\* cited by examiner

*Primary Examiner* — Cynthia Underwood  
(74) *Attorney, Agent, or Firm* — Scherrer Patent & Trademark Law, P.C.; Stephen T. Scherrer

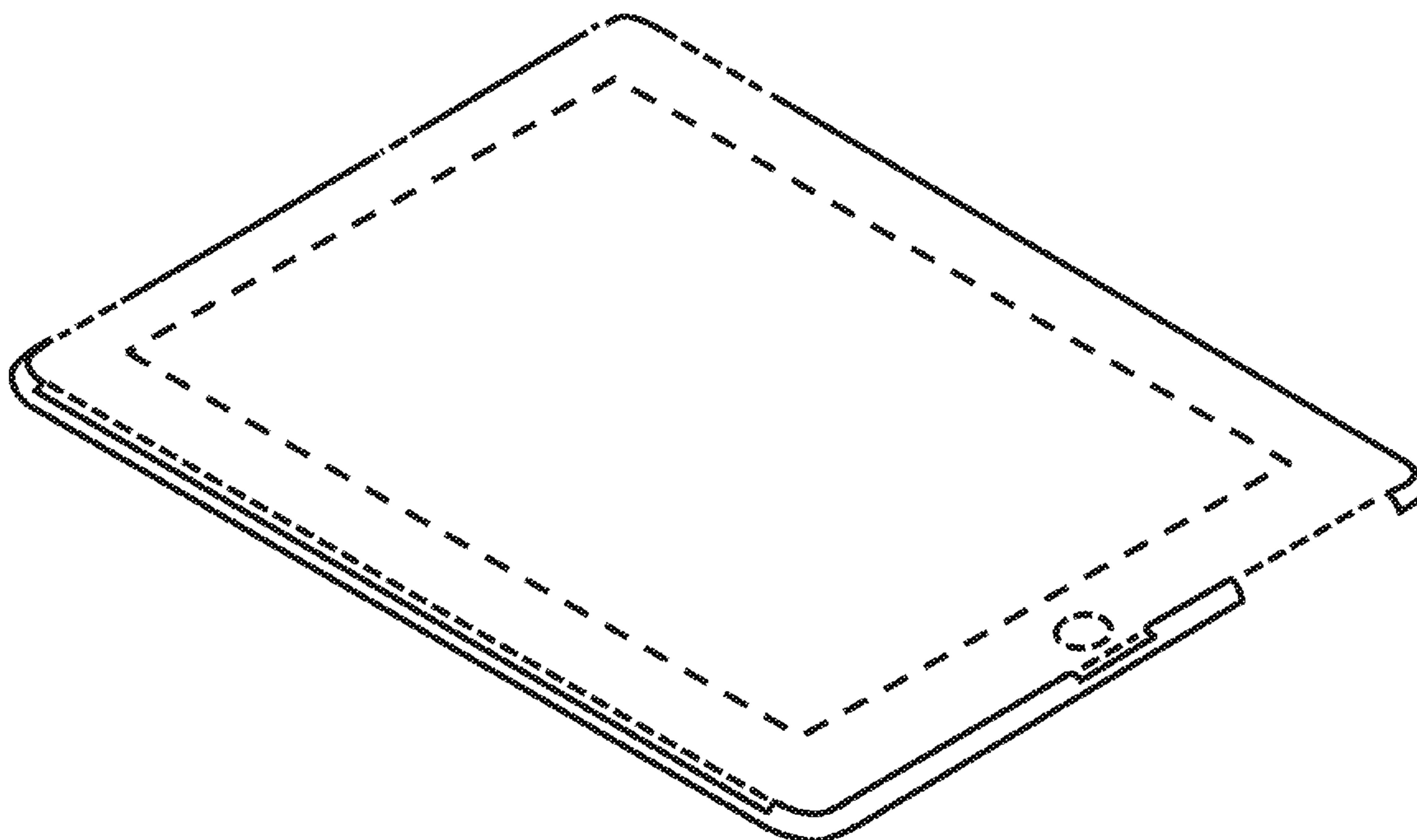
(57) **CLAIM**  
The ornamental design for a case, as shown and described.

**DESCRIPTION**

FIG. 1 is a front isometric view of a case showing my new design;  
FIG. 2 is a rear isometric view thereof;  
FIG. 3 is a front view thereof;  
FIG. 4 is a rear view thereof;  
FIG. 5 is a top view thereof;  
FIG. 6 is a bottom view thereof;  
FIG. 7 is a right view thereof; and,  
FIG. 8 is a left view thereof.  
The broken lines depict unclaimed environmental subject matter.

**1 Claim, 6 Drawing Sheets**

- (56) **References Cited**  
U.S. PATENT DOCUMENTS  
D469,438 S \* 1/2003 Corrales ..... D14/432  
D593,750 S \* 6/2009 Song ..... D3/269  
7,542,052 B2 \* 6/2009 Solomon et al. .... 345/659  
D609,226 S \* 2/2010 Hofer et al. .... D14/248  
D623,638 S 9/2010 Richardson  
8,016,107 B2 \* 9/2011 Emsky ..... 206/320



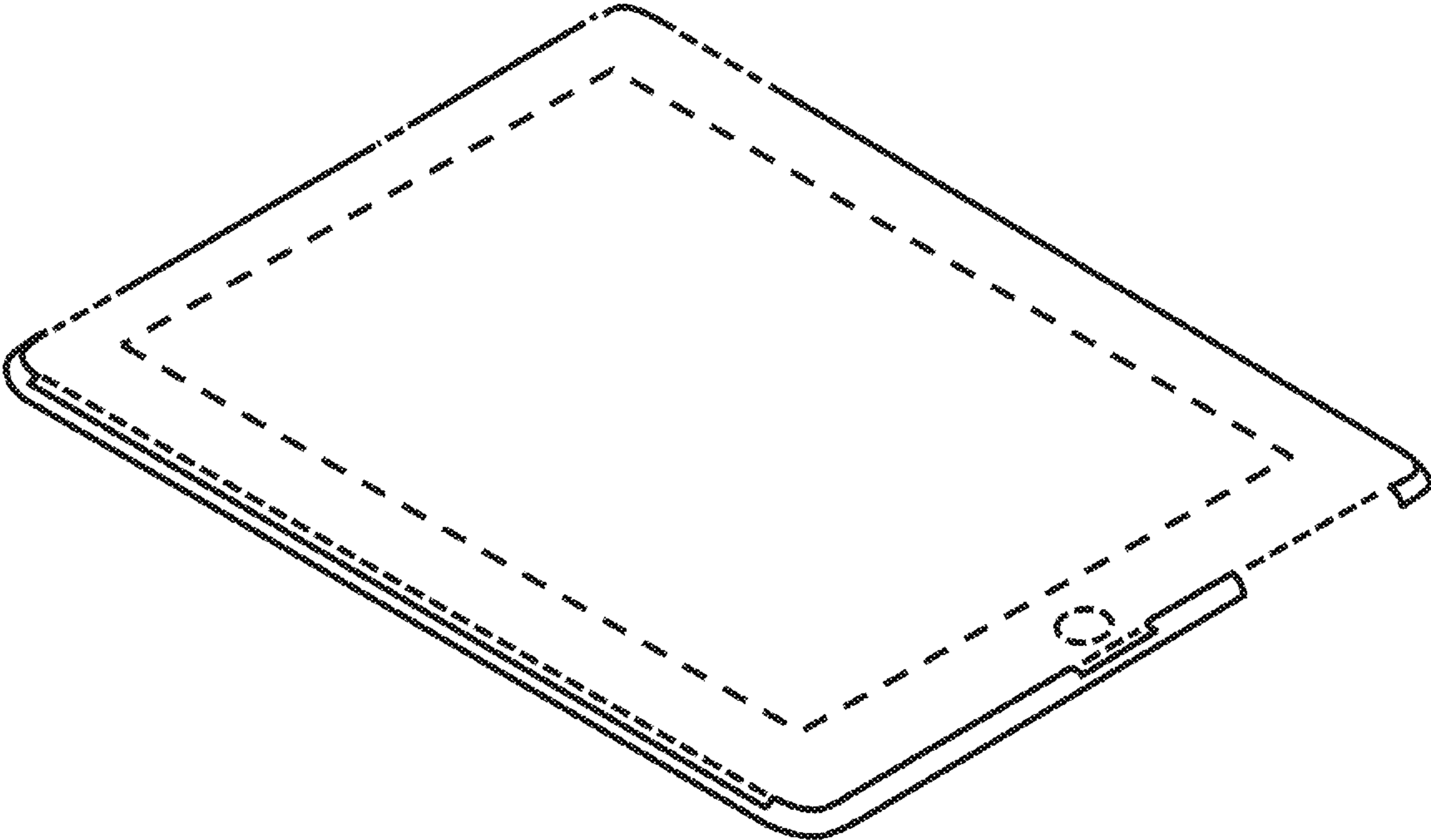


FIG. 1

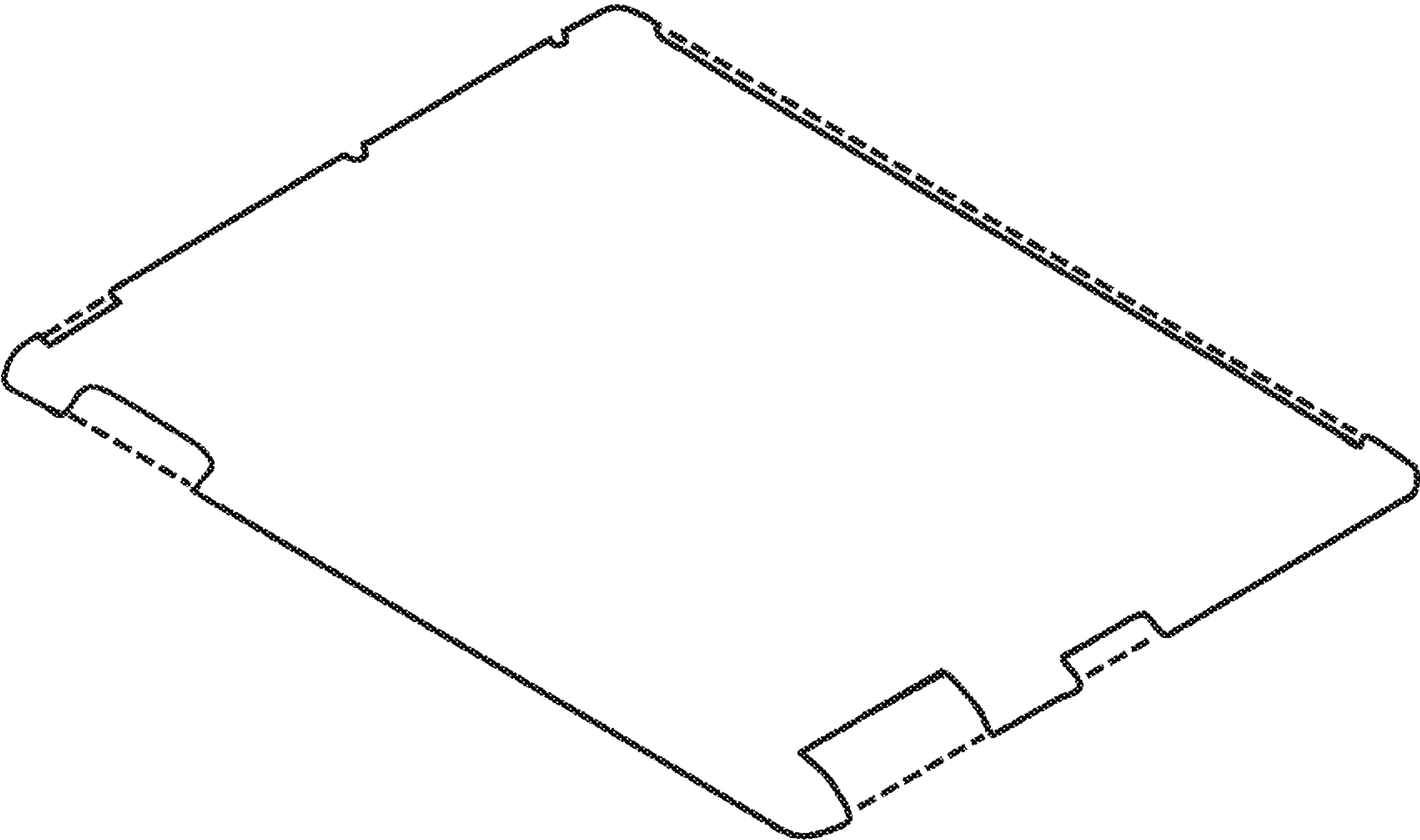


FIG. 2

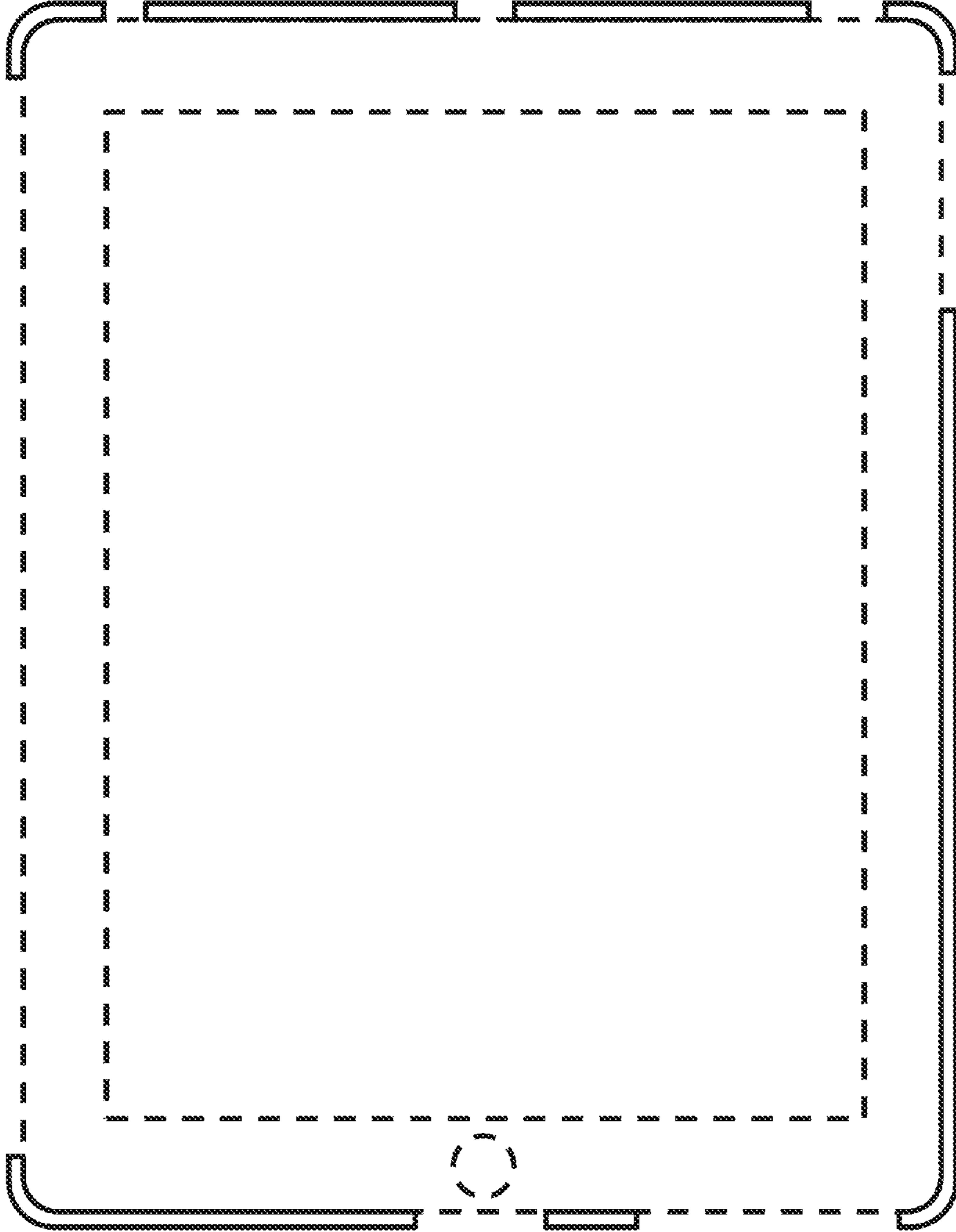


FIG. 3

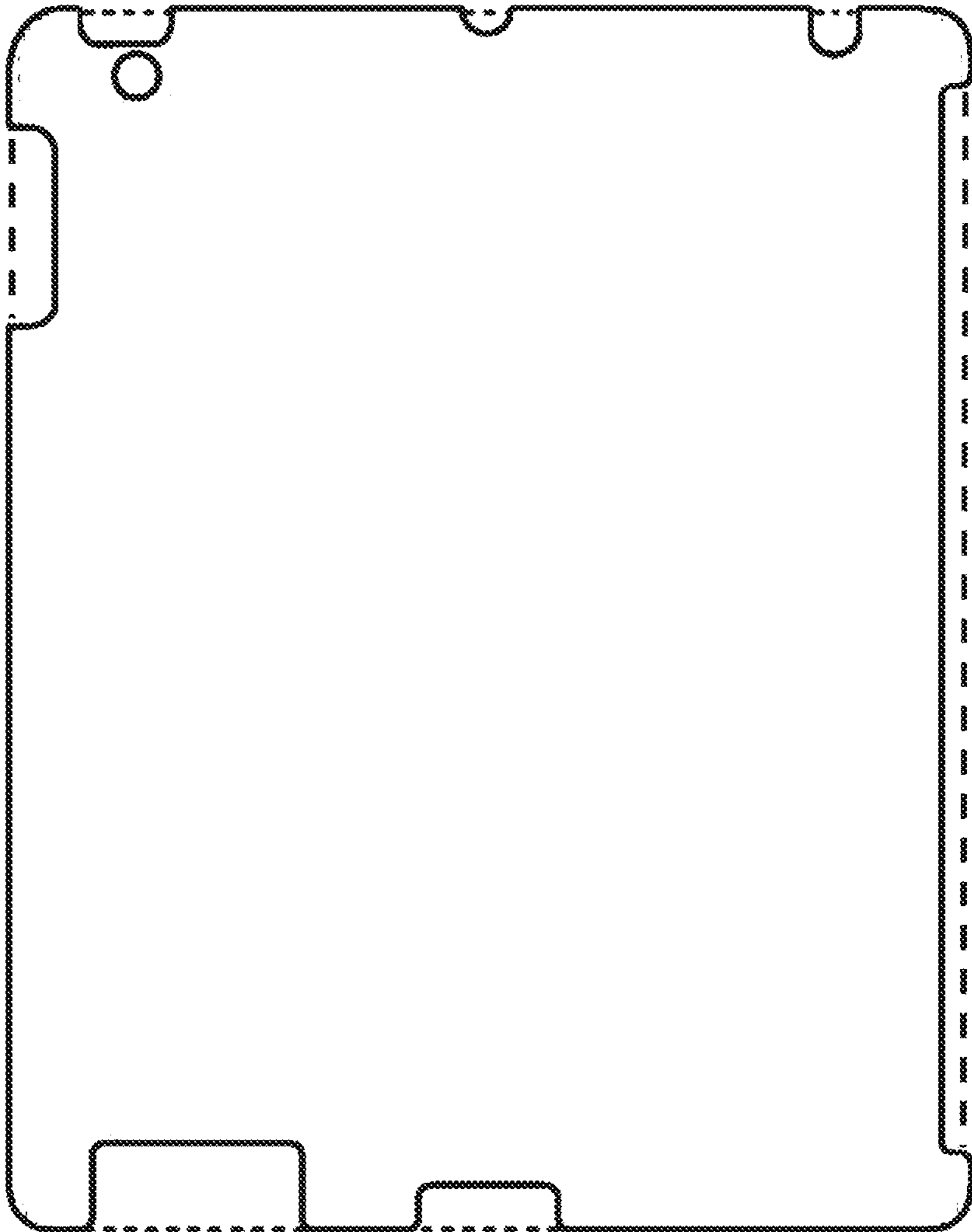


FIG. 4



FIG. 5

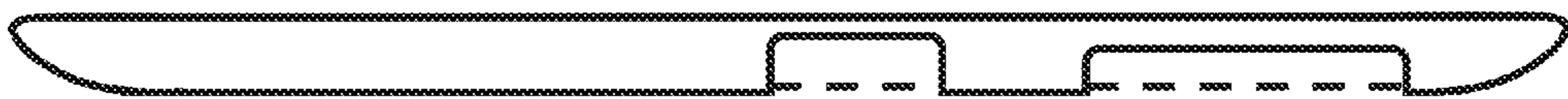


FIG. 6



FIG. 7



FIG. 8