



US00D706776S

(12) **United States Design Patent**  
**Akana et al.**

(10) **Patent No.:** **US D706,776 S**  
(45) **Date of Patent:** **\*\* Jun. 10, 2014**

(54) **ELECTRONIC DEVICE**  
(71) Applicant: **Apple Inc.**, Cupertino, CA (US)  
(72) Inventors: **Jody Akana**, San Francisco, CA (US);  
**Bartley K. Andre**, Palo Alto, CA (US);  
**Jeremy Bataillou**, San Francisco, CA  
(US); **Daniel J. Coster**, San Francisco,  
CA (US); **Daniele De Iuliis**, San  
Francisco, CA (US); **M. Evans Hankey**,  
San Francisco, CA (US); **Richard P.**  
**Howarth**, San Francisco, CA (US);  
**Jonathan P. Ive**, San Francisco, CA  
(US); **Steve Jobs**, Palo Alto, CA (US);  
**Duncan Robert Kerr**, San Francisco,  
CA (US); **Shin Nishibori**, Kailua, HI  
(US); **Matthew Dean Rohrbach**, San  
Francisco, CA (US); **Peter**  
**Russell-Clarke**, San Francisco, CA  
(US); **Christopher J. Stringer**,  
Woodside, CA (US); **Eugene Antony**  
**Whang**, San Francisco, CA (US); **Rico**  
**Zörkendörfer**, San Francisco, CA (US)

(73) Assignee: **Apple Inc.**, Cupertino, CA (US)  
(\*\*) Term: **14 Years**  
(21) Appl. No.: **29/468,427**  
(22) Filed: **Sep. 30, 2013**

**Related U.S. Application Data**

(63) Continuation of application No. 29/432,245, filed on  
Sep. 14, 2012, now Pat. No. Des. 691,133, which is a

(Continued)

(51) **LOC (10) Cl.** ..... **14-02**

(52) **U.S. Cl.**  
USPC ..... **D14/341**

(58) **Field of Classification Search**  
USPC ..... D14/341-347, 137, 138 AA, 138 R,  
D14/138 C, 138 G, 496, 203.1, 203.3, 203.4,  
D14/203.7, 129, 130, 420, 426, 147, 218,  
D14/247-248, 389, 388, 315-318; D10/65,  
D10/104.1; D18/6-7; D21/324, 329, 330;  
455/556.1, 556.2, 566, 575.1, 90.3;  
379/433.04, 433.01, 433.06, 916;  
345/173, 901, 905; 361/679.26,  
361/679.27, 679.3, 679.55, 679.56,

361/680-686; 248/917-924; 348/373, 376;  
D19/60

See application file for complete search history.

(56) **References Cited**

U.S. PATENT DOCUMENTS

D262,151 S 12/1981 Sussman

(Continued)

FOREIGN PATENT DOCUMENTS

CA 72548 5/1993  
CA 101263 1/2004

(Continued)

OTHER PUBLICATIONS

Amazon, "Developing Tablet PC Applications—(Charles River  
Media Programming)," (<http://www.amazon.co.uk/Developing-Tablet-Applications-Charles-Programming/dp/1584502525>), retrieved  
Jul. 20, 2011, 4 pages.

(Continued)

*Primary Examiner* — Barbara Fox

(74) *Attorney, Agent, or Firm* — Sterne, Kessler, Goldstein  
& Fox P.L.L.C.

(57) **CLAIM**

The ornamental design for an electronic device, as shown and  
described.

**DESCRIPTION**

FIG. 1 is a bottom front perspective view of an electronic  
device showing our new design;

FIG. 2 is a top front perspective view thereof;

FIG. 3 is a top rear perspective view thereof;

FIG. 4 is a bottom rear perspective view thereof;

FIG. 5 is a front view thereof;

FIG. 6 is a rear view thereof;

FIG. 7 is a top view thereof;

FIG. 8 is a bottom view thereof;

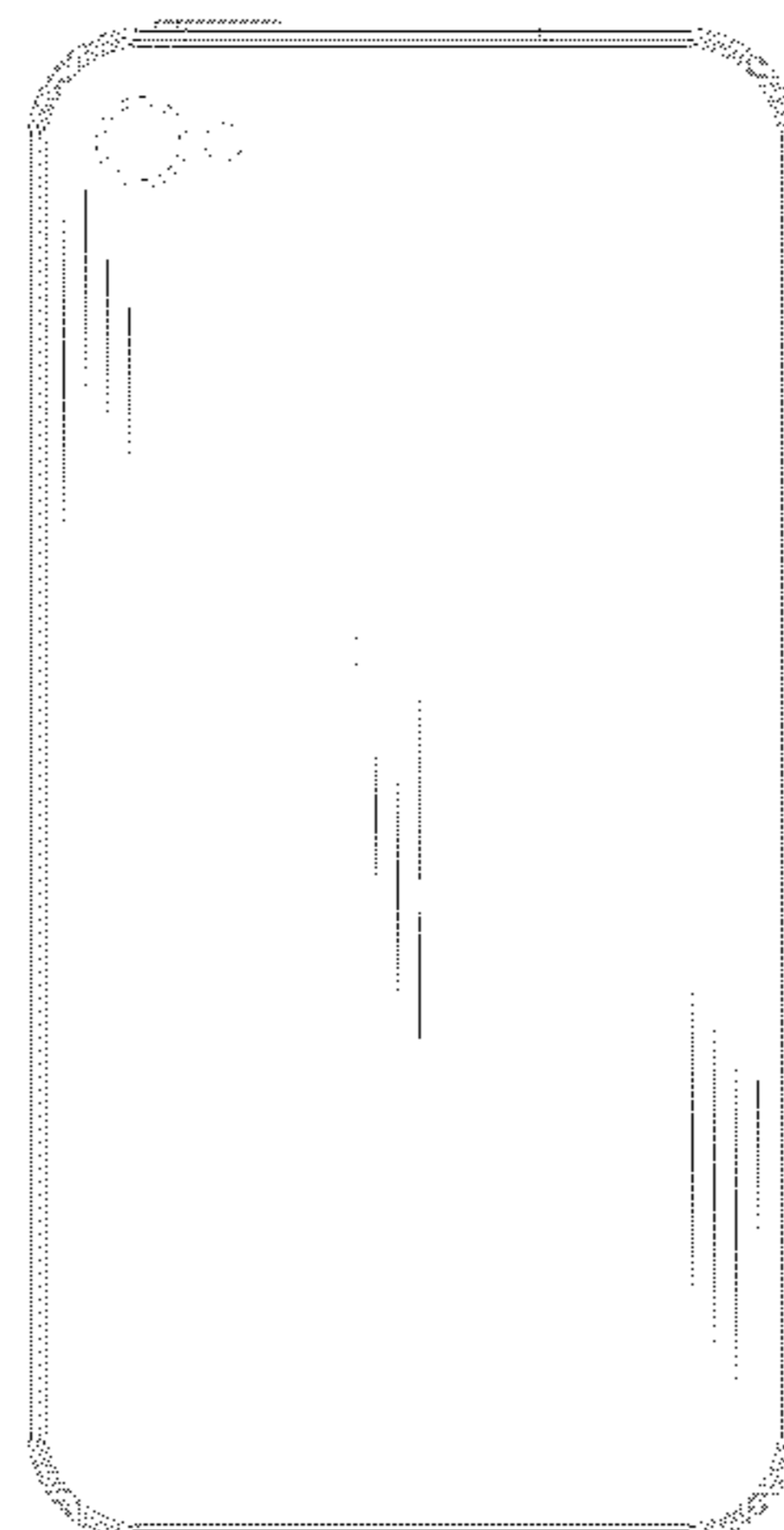
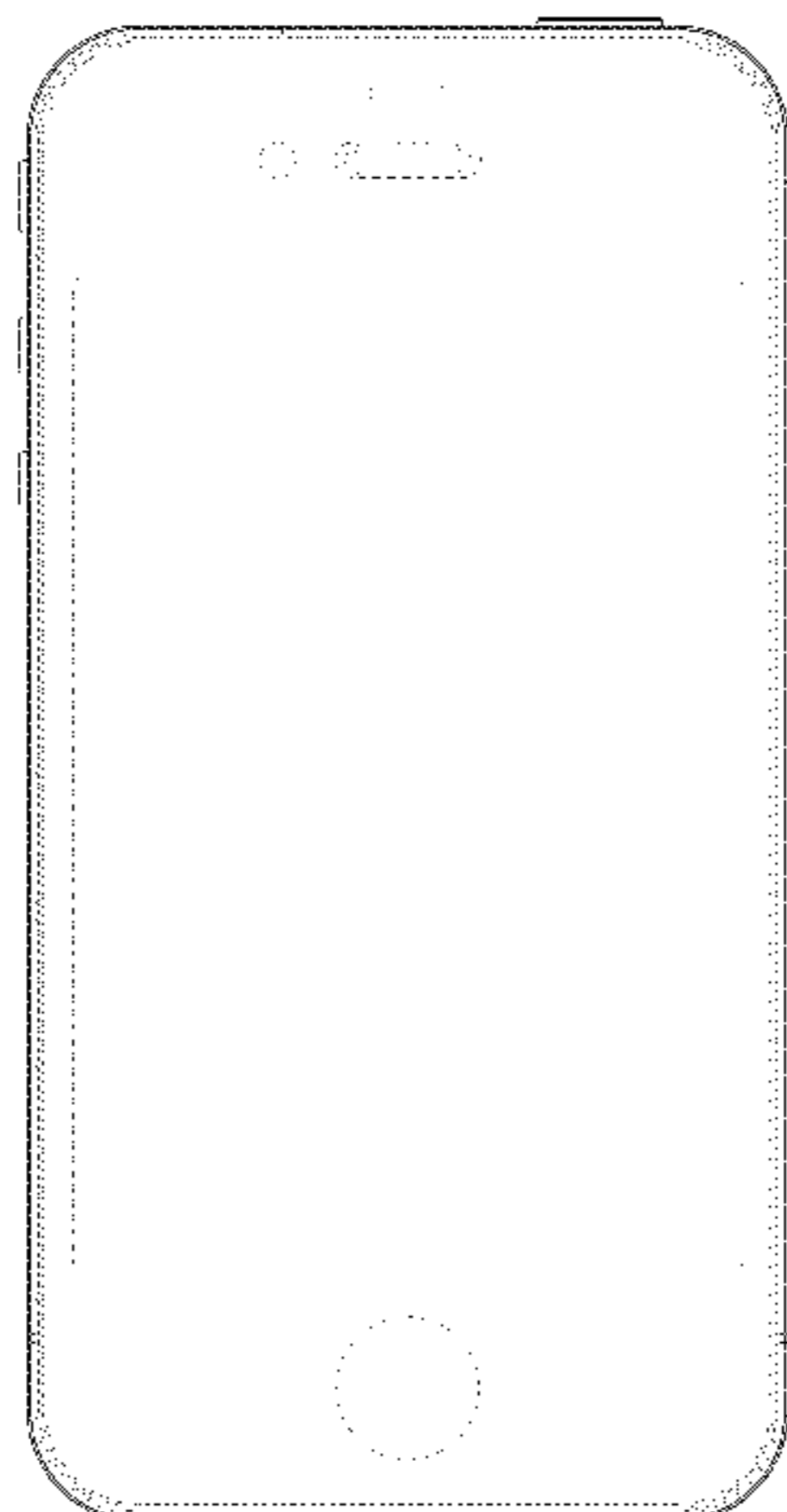
FIG. 9 is a left side view thereof; and,

FIG. 10 is a right side view thereof.

The broken lines shown in the Figures show portions of the  
electronic device which form no part of the claimed design.

The shade lines in the Figures show contour and not surface  
ornamentation.

**1 Claim, 8 Drawing Sheets**



**Related U.S. Application Data**

continuation of application No. 29/385,079, filed on Feb. 8, 2011, now Pat. No. Des. 671,937, which is a continuation of application No. 29/360,110, filed on Apr. 20, 2010, now Pat. No. Des. 633,908, which is a continuation-in-part of application No. 29/360,036, filed on Apr. 19, 2010, now Pat. No. Des. 627,778.

(56)

**References Cited**

U.S. PATENT DOCUMENTS

D270,061 S 8/1983 Ackeret  
 D289,873 S 5/1987 Gemmell et al.  
 D300,831 S 4/1989 Jenkins et al.  
 D306,583 S 3/1990 Krolopp et al.  
 D321,215 S 10/1991 Shamis  
 D321,855 S 11/1991 Ross, Jr.  
 D332,328 S 1/1993 Lombardi, Jr.  
 D333,574 S 3/1993 Ackeret  
 D337,569 S 7/1993 Kando  
 D340,917 S 11/1993 Sakaguchi et al.  
 D345,346 S 3/1994 Alfonso et al.  
 D346,589 S 5/1994 Andros  
 D361,552 S 8/1995 Iino  
 D377,169 S 1/1997 Chida  
 D396,452 S 7/1998 Naruki  
 D408,372 S 4/1999 Ota et al.  
 D410,440 S 6/1999 Carnell  
 D424,245 S 5/2000 Stoecker  
 D444,465 S 7/2001 Do  
 D448,764 S 10/2001 Marsalka et al.  
 D455,433 S 4/2002 Alviar et al.  
 D461,715 S 8/2002 Yokota  
 D461,802 S 8/2002 Tu  
 D467,890 S 12/2002 Lai et al.  
 D469,413 S 1/2003 To et al.  
 D483,037 S 12/2003 Whitehorn et al.  
 D484,471 S 12/2003 Lin et al.  
 D485,265 S 1/2004 Sato et al.  
 D488,468 S 4/2004 Hu  
 D488,469 S 4/2004 Batsikas  
 D490,420 S 5/2004 Solomon et al.  
 D492,684 S 7/2004 Ozolins et al.  
 D497,364 S 10/2004 Ozolins et al.  
 D500,037 S 12/2004 Ozolins et al.  
 D502,173 S 2/2005 Jung et al.  
 D504,889 S 5/2005 Andre et al.  
 D506,937 S 7/2005 Lee et al.  
 D507,003 S 7/2005 Pai et al.  
 D509,833 S 9/2005 Yang  
 D511,342 S 11/2005 Chien  
 D511,347 S 11/2005 Naruki  
 D513,617 S 1/2006 Tierney  
 D515,541 S 2/2006 Jensfelt  
 D524,809 S 7/2006 Alcouloumre et al.  
 D527,015 S 8/2006 Yang  
 D528,561 S 9/2006 Ka-Wei et al.  
 D529,045 S 9/2006 Shin  
 D534,516 S 1/2007 Lheem  
 D534,890 S 1/2007 Kim  
 D535,281 S 1/2007 Yang  
 D536,329 S 2/2007 Lee  
 D557,239 S 12/2007 Lee  
 D557,259 S 12/2007 Hirsch  
 D558,460 S 1/2008 Yu et al.  
 D558,716 S 1/2008 Bae et al.  
 D558,726 S 1/2008 Wang et al.  
 D558,756 S 1/2008 Andre et al.  
 D558,792 S 1/2008 Chigira  
 D560,227 S 1/2008 Bennett et al.  
 D560,231 S 1/2008 Lee  
 D560,683 S 1/2008 Lee  
 D562,285 S 2/2008 Lim  
 D563,432 S 3/2008 Kim  
 D567,819 S 4/2008 Devericks et al.  
 D568,285 S 5/2008 Lee et al.

D569,629 S 5/2008 Yu et al.  
 D569,837 S 5/2008 Baik et al.  
 D570,346 S 6/2008 Suk et al.  
 D570,839 S 6/2008 Hofer et al.  
 D572,694 S 7/2008 Park  
 D573,143 S 7/2008 Park et al.  
 D577,371 S 9/2008 Hu et al.  
 D579,898 S 11/2008 Lee et al.  
 D579,902 S 11/2008 Kim et al.  
 D579,905 S 11/2008 Kim et al.  
 D581,384 S 11/2008 Kim et al.  
 D581,922 S 12/2008 Andre et al.  
 D583,346 S 12/2008 Jung et al.  
 D583,796 S 12/2008 Tanaka  
 D584,272 S 1/2009 Chung et al.  
 D584,738 S 1/2009 Kim et al.  
 D587,267 S 2/2009 Wang  
 D591,252 S 4/2009 Kim et al.  
 D597,067 S 7/2009 Oh et al.  
 D598,887 S 8/2009 Xiao et al.  
 D599,342 S 9/2009 Andre et al.  
 D600,241 S 9/2009 Andre et al.  
 D600,690 S 9/2009 Miyaji  
 D601,353 S 10/2009 Sadler et al.  
 D601,530 S 10/2009 Park et al.  
 D601,583 S 10/2009 Andre et al.  
 D602,486 S 10/2009 Andre et al.  
 D602,488 S 10/2009 Jiang et al.  
 D603,834 S 11/2009 Lyman et al.  
 D604,293 S 11/2009 Andre et al.  
 D604,716 S 11/2009 Oh et al.  
 D604,729 S 11/2009 Andre et al.  
 D605,157 S 12/2009 Kim et al.  
 D606,129 S \* 12/2009 Ben-Moshe ..... D21/517  
 D606,988 S 12/2009 Andre et al.  
 D606,989 S 12/2009 Andre et al.  
 D609,705 S 2/2010 Andre et al.  
 7,660,560 B2 2/2010 Zuo et al.  
 D613,283 S 4/2010 Andre et al.  
 D621,397 S 8/2010 Andre et al.  
 D624,519 S 9/2010 Shen et al.  
 D625,307 S 10/2010 Cheng  
 D626,437 S 11/2010 Lee et al.  
 D627,778 S 11/2010 Akana et al.  
 D633,493 S \* 3/2011 Akana et al. .... D14/341  
 D633,908 S 3/2011 Akana et al.  
 D636,392 S 4/2011 Akana et al.  
 D636,769 S 4/2011 Wood et al.  
 D638,835 S 5/2011 Akana et al.  
 D640,658 S 6/2011 Knoppert et al.  
 D672,343 S \* 12/2012 Akana et al. .... D14/341  
 D684,571 S \* 6/2013 Akana et al. .... D14/341  
 D688,661 S \* 8/2013 Ho et al. .... D14/341  
 D691,133 S \* 10/2013 Akana et al. .... D14/341  
 2003/0125079 A1 7/2003 Park et al.  
 2003/0125959 A1 7/2003 Palmquist et al.  
 2003/0206202 A1 11/2003 Moriya  
 2005/0009556 A1 1/2005 Hickey et al.  
 2005/0059438 A1 3/2005 Jellicoe  
 2006/0094464 A1 5/2006 Kyou et al.  
 2006/0281501 A1 12/2006 Zuo et al.  
 2009/0247244 A1 10/2009 Mittleman et al.  
 2009/0315690 A1 12/2009 Hwang et al.  
 2010/0060563 A1 3/2010 Hayton et al.  
 2010/0105452 A1 4/2010 Shin et al.

FOREIGN PATENT DOCUMENTS

EM 000048061-0001 8/2003  
 EM 000046198-0001 11/2003  
 EM 000317490-0001 5/2005  
 EM 000257621-0004 7/2005  
 EM 000375191-0001 9/2005  
 EM 000493721-0002 5/2006  
 EM 000569157-0005 9/2006  
 EM 000569157-0007 9/2006  
 EM 000590831-0001 10/2006  
 EM 000590831-0003 10/2006  
 EM 000614565-0001 12/2006

(56)

## References Cited

FOREIGN PATENT DOCUMENTS		
EM	000632070-0007	1/2007
EM	000718770-0007	6/2007
EM	000748256-0003	8/2007
EM	000748280-0001	8/2007
EM	000748280-0004	8/2007
EM	000748280-0006	8/2007
EM	000748322-0001	8/2007
EM	000767959-0001	8/2007
EM	000784780-0001	10/2007
EM	000874466-0012	3/2008
EM	000910591-0001	4/2008
EM	000888920-0001	5/2008
EM	000888920-0018	5/2008
EM	000938071-0001	6/2008
EM	000939731-0001	6/2008
EM	000977822-0006	8/2008
EM	001016802-0001	1/2009
EM	001098149-0001	4/2009
EM	001098149-0007	4/2009
EM	001183461-0002	1/2010
EM	001668781-0001	2/2010
EM	001694712-0001	4/2010
ES	D0505712-01	4/2008
FI	4897	7/1980
FR	990052-001	5/1999
GB	2062780	5/1981
GB	1042780	12/1986
GB	2030050	10/1992
GB	2033245	8/1993
JP	000921403	3/1995
JP	001009317	5/1998
JP	001104685	3/2001
JP	D1124750	10/2001
JP	001142127	5/2002
JP	D1159881	12/2002
JP	D1178470	7/2003
JP	001188041	10/2003
JP	D1204221	5/2004
JP	001235888	4/2005
JP	001241638	6/2005
JP	D1241383	6/2005
JP	D1250487	9/2005
JP	001280315	9/2006
KR	30-0304213	8/2002
KR	30-0327126	6/2003
KR	30-0360712	9/2004
KR	30-0364845	10/2004
KR	30-0367347	11/2004
KR	30-0387059-3	7/2005
KR	30-0387130	7/2005
KR	30-0396917	11/2005
KR	30-0398307	11/2005
KR	30-0394921-1	12/2005
KR	30-0418422-1	7/2006
KR	30-0418547	7/2006
KR	30-0420200	7/2006
KR	30-0422221	8/2006
KR	30-0424148	9/2006
KR	30-0441230-1	2/2007
KR	30-0454592	7/2007
KR	30-0441230-2	8/2007
KR	30-0441230-3	8/2007
KR	30-0452985-2	8/2007
KR	30-0474260	12/2007
KR	30-0529167	5/2009
KR	30-0533504	7/2009
KR	30-0546031	11/2009
KR	30-0550428	1/2010
KR	30-0553546	2/2010
SE	55044	10/1993
TW	D106137	8/2005
TW	D123283	6/2008
TW	D126454	12/2008
TW	D126838	1/2009
TW	D126996	4/2009

TW	D126997	4/2009
TW	D129176	6/2009
TW	D131556	10/2009
TW	D132490	12/2009
TW	D139493	3/2011
WO	WO 01/88679 A2	11/2001
WO	WO 2004/023272	3/2004

## OTHER PUBLICATIONS

Amazon, "Sharp Zaurus S1-6000L Handheld," (<http://www.amazon.com/Sharp-SL-6000L-Zaurus-Handheld/dp/B0001W17H2>), product available Mar. 12, 2004, 5 pages.

Association for Computing Machinery, The Open Video Project, "ACM CHI 1995—The Tablet Newspaper: A vision for the Future," (<http://www.open-video.org/details.php?videoid=8315&surrogate=storyboard>), 3 pages (1994).

Aumente, J., American Journalism Review, "Panel Vision," (<http://www.ajr.org/Article.asp?id=1257>), published Oct. 1994, 7 pages.

Blickenstorfer, C., PenComputing Magazine, "Tablet PCs: HP Compaq Tablet PC TC1000," ([http://pencomputing.com/frames/tpc\\_compaq.html](http://pencomputing.com/frames/tpc_compaq.html)), 3 pages (Dec. 2002).

Blickenstorfer, C., PenComputing Magazine, "Tablet PCs: Motion Computing M1200," ([http://pencomputing.com/frames/tpc\\_motion1200.html](http://pencomputing.com/frames/tpc_motion1200.html)), 3 pages (Dec. 2002).

Blickenstorfer, C., PenComputing Magazine, "Tablet PCs: ViewSonic V1100," ([http://pencomputing.com/frames/tpc\\_viewsonic.html](http://pencomputing.com/frames/tpc_viewsonic.html)), 3 pages (Dec. 2002).

Chi-atheneum, "Good Design 2003, An International Industrial and Graphic Design Competition," (<http://www.chi-atheneum.org/gdesign/winners03.htm>), retrieved Sep. 23, 2011, 7 pages.

Coby Communications Ltd., Consumer Electronics 2009 Fall, received by the JPO Industrial Property Library on Oct. 23, 2009; 1 page.

Computing History, "GRidPad 1910," (<http://computinghistory.org.uk/det/6565/GRidPad-1910>), retrieved Sep. 12, 2011, 2 pages.

DigiBarn Systems, "GRiDpad Pen Computer," (<http://www.digibarn.com/collections/systems/gridpad/index.html>), retrieved Sep. 23, 2011, 2 pages.

Edible Apple, "The first Apple Tablet . . . from 1979," (<http://www.edibleapple.com/the-first-apple-tablet-from-1979/>), published Nov. 23, 2009, 8 pages.

Electronista, "LG/Prada phone revealed?," (<http://www.electronista.com/articles/06/12/20/lg.prada.phone.revealed/>), updated Dec. 20, 2006, 9 pages.

EngineerBoy, CleverDonkey.com, "2001: A Space Odyssey and the iPad (or is it tamPod?)," (<http://www.cleverdonkey.com/1499-2001a-space-odyssey-and-the-ipad-or-is-it-tampod/>), published Feb. 2, 2010, 5 pages.

GSMarena.com, "LG KE850 Prada," ([http://www.gsmarena.com/lg\\_ke850\\_prada-1828.php](http://www.gsmarena.com/lg_ke850_prada-1828.php)), accessed Feb. 20, 2007, 4 pages.

GSMarena.com, "Phillips S900," ([http://www.gsmarena.com/philips\\_s900-1598.php](http://www.gsmarena.com/philips_s900-1598.php)), accessed Feb. 20, 2007, 2 pages.

Hagen, R., GadgetZone, "iHolic portable mediaspeler," (<http://www.gadgetzone.nl/nieuws.php?id=3191>), published Jan. 4, 2007, 3 pages.

Hamamatsu Toa Electric Co. Ltd., Smartphone BM-170, received by the JPO Industrial Property Library on Mar. 26, 2010; 1 page.

iF Design, "iF product design award 2007," ([http://www.ifdesign.de/beitragsdetails\\_e.html?offset=87&sprache=2&award\\_id=121&beit . . .](http://www.ifdesign.de/beitragsdetails_e.html?offset=87&sprache=2&award_id=121&beit...)), accessed on Sep. 21, 2011, 1 page.

Martin, T., "The Tablet Newspaper: A Vision for the Future," Human Factors in Computing Systems, Chi '95 Conference Companion, pp. 425, Colorado, United States (May 1995).

Mobiface, "The Black Box," (<http://www.mobiface.com/view.php?id=53>), published Sep. 28, 2006, 5 pages.

NewLaunches, "LG Prada cell phones are truly iconic," ([http://www.newlaunches.com/archives/lg\\_prada\\_cell\\_phones\\_are\\_truly\\_iconic.php](http://www.newlaunches.com/archives/lg_prada_cell_phones_are_truly_iconic.php)), retrieved Sep. 12, 2011, 3 pages.

NewLaunches, "LG Wears Prada," ([http://www.newlaunches.com/archives/lg\\_wears\\_prada.php](http://www.newlaunches.com/archives/lg_wears_prada.php)), retrieved Sep. 23, 2011, 2 pages.

Newlaunches.com, "Pidion BM-200 sleek Windows CE PDA phone from Bluebird," ([http://www.newlaunches.com/archives/pidion\\_](http://www.newlaunches.com/archives/pidion_)

(56)

## References Cited

## OTHER PUBLICATIONS

bm200\_sleek\_windows\_ce\_pda\_phone\_from\_bluebird.php), published Dec. 15, 2005, 3 pages.

Patel, "The HP Slate" (<http://www.engadget.com/2010/01/06/the-hp-slate/>), Engadget.com, published Jan. 6, 2010, 4 pages.

PC Magazine, "HP Compaq Tablet PC TC1000," (<http://www.pcmag.com/article2/0,2817%20,939500,00.asp>), published Apr. 8, 2003, 3 pages.

PDADB.net, "Bluebird Pidion BM-200 Specs," ([http://pdadb.net/index.php?m=specs&id=1804&c=bluebird\\_pidion\\_bm-200](http://pdadb.net/index.php?m=specs&id=1804&c=bluebird_pidion_bm-200)), published Mar. 24, 2008, 3 pages.

PDADB.net, "Sony Clie PEG-SL10 / PEG-SL10U / PEG-SL10E Specs," ([http://pdadb.net/index.php?m=specs&id=1198&c=sony\\_clie\\_peg-sl10\\_peg-sl10u\\_peg-sl10e](http://pdadb.net/index.php?m=specs&id=1198&c=sony_clie_peg-sl10_peg-sl10u_peg-sl10e)), published Mar. 4, 2008 3 pages.

Ricker, "LG's KE850 Prada official: iPhone says, wha?" Engadget.com, (<http://www.engadget.com/2007/01/18/lgs-ke850-prada-official-iphone-says-wha/>), published Jan. 18, 2007, 4 pages.

Ricker, "Meizu's M8? Apple lawyers, start your engines," Engadget.com, (<http://www.engadget.com/2007/01/29/meizus-m8-apple-lawyers-start-your-engines/>), published Jan. 29, 2007, 1 page.

Ricker, "The Pidion BM-200: it's time to move to Seoul," (<http://www.engadget.com/2005/10/04/the-pidion-bm-200-its-time-to-move-to-seoul/>), Engadget.com, published Oct. 4, 2005, 4 pages.

S. Dimitris, "Pidion BM200 Smartphone," PDASNews, ([www.pdasnews.com/articles/pidion-bm200-smartphone.html](http://www.pdasnews.com/articles/pidion-bm200-smartphone.html)), accessed Mar. 7, 2012, 2 pages.

Samsung, "Samsung F700 is razendsnelle alleskunner voor mobiel breedband van Vodafone," ([http://www.samsung.com/nl/mobile/pressView.do?ptype=press&page=13&news\\_seq=22544](http://www.samsung.com/nl/mobile/pressView.do?ptype=press&page=13&news_seq=22544)), published May 25, 2008, 2 pages.

Samsung, "Samsung Unveils Revolutionary Ultra Smart F700," ([http://www.samsung.com/us/news/newsRead.do?news\\_seq=3516](http://www.samsung.com/us/news/newsRead.do?news_seq=3516)), published Nov. 23, 2009, 2 pages.

U.S. Appl. No. 29/363,167, Akana et al., "Electronic Device", filed Jun. 5, 2010. (unpublished).

U.S. Appl. No. 29/379,707, Akana et al., "Electronic Device", filed Nov. 23, 2010. (unpublished).

U.S. Appl. No. 29/385,079, Akana et al., "Electronic Device", filed Feb. 8, 2011. (unpublished).

U.S. Appl. No. 29/432,290, Akana et al., "Electronic Device", filed Sep. 14, 2012. (unpublished).

U.S. Appl. No. 29/432,436, Akana et al., "Electronic Device", filed Sep. 14, 2012. (unpublished).

Van Reeth, J., "Vantage is showing its colours!," Home automation journal 11:1-8, Vantage Emea, Belgium (Jun. 2003).

Vasile, C., Softpedia, "MobilePen: An Expensive but Helpful Touchscreen," (<http://news.softpedia.com/news/MobilePen-An-Expensive-But-Helpful-Touchscreen-16192.shtml>), published Jan. 12, 2006, 2 pages.

Vilas-Boas, "Industrial Design Portfolio," published 2004, 6 pages.

Wikipedia, "Etch A Sketch," ([http://en.wikipedia.org/wiki/Etch\\_a\\_sketch](http://en.wikipedia.org/wiki/Etch_a_sketch)), last modified Aug. 24, 2011, 4 pages.

Wikipedia, "MessagePad," (<http://en.wikipedia.org/wiki/Messagepad>), retrieved Sep. 12, 2011, 10 pages.

Wikipedia.org, "File:LG KE850 Prada Hauptmenü.jpg," ([http://en.wikipedia.org/wiki/File:LG\\_KE850\\_Prada\\_Hauptmen%C3%BC.jpg](http://en.wikipedia.org/wiki/File:LG_KE850_Prada_Hauptmen%C3%BC.jpg)), accessed Feb. 12, 2012, 4 pages.

ZDNet, "Viewsonic V1100," (<http://www.zdnet.nl/reviews/24712/viewsonic-v1100/>), published Feb. 17, 2003, 9 pages.

Ziegler, C., Engadget, "The LG KE850: touchable chocolate," (<http://mobile.engadget.com/2006/12/15/the-lg-ke850-touchable-chocolate/>), published Dec. 15, 2006, 5 pages.

Schwichtenbert, V., "Test: Sony Ericsson W950i," [http://www.chip.de/artikel/Sony-Ericsson-W950i-Test\\_18777095.html](http://www.chip.de/artikel/Sony-Ericsson-W950i-Test_18777095.html), published Nov. 30, 2006, 11 pages.

Apple.com, "Apple—iPhone—Gallery," (<http://web.archive.org/web/20070705201012/http://www.apple.com/iphone/gallery/index8.html>), dated Jul. 5, 2007, accessed Mar. 28, 2013, 1 page.

Blogitech.co.uk, "Sharp WX-T825 (Softbank 825SH) arrives Taiwan," (<http://blogitechnews.blogspot.co.uk/2008/10/sharp-wx-t825-softbank-825sh-arrives.html>), published Oct. 3, 2008, 2 pages.

Chan, Meng, "LG BL40 New Chocolate," MassOrder Mobile Tech Blog, (<http://massordermobile.blogspot.co.uk/2009/11/lg-b140-new-chocolate.html>), published Nov. 17, 2009, 7 pages.

Har-Even, Benny, "iRiver U10 media player," The Register, ([http://www.theregister.co.uk/2006/01/19/review\\_iriver\\_u10/print.html](http://www.theregister.co.uk/2006/01/19/review_iriver_u10/print.html)), published Jan. 19, 2006, 5 pages.

Justia, "*Apple v. Samsung Electronics Co. Ltd. et al.*, Filing: 943 Attachment: 5," (<http://docs.justia.com/cases/federal/district-courts/california/candce/5:2011cv01846/239768/943/5.html>), dated May 18, 2012, 3 pages.

Lee, Tommy, "Cookie phone pink, LG Electronics Cyon LG-LU9100," (<http://diner.tistory.com/m/post/view/id/211>), published Jul. 14, 2009, 8 pages.

Mobilegazette.com, "Acer DX900 / E-TEN Glofiish DX900," (<http://www.mobilegazette.com/acer-dx900-09x02x04.htm>), published Feb. 4, 2009, 3 pages.

Mobilegazette.com, Apple iPhone 3G, (<http://www.mobilegazette.com/apple-iphone-3g-08x06x09.htm>), published Jun. 9, 2008, 5 pages.

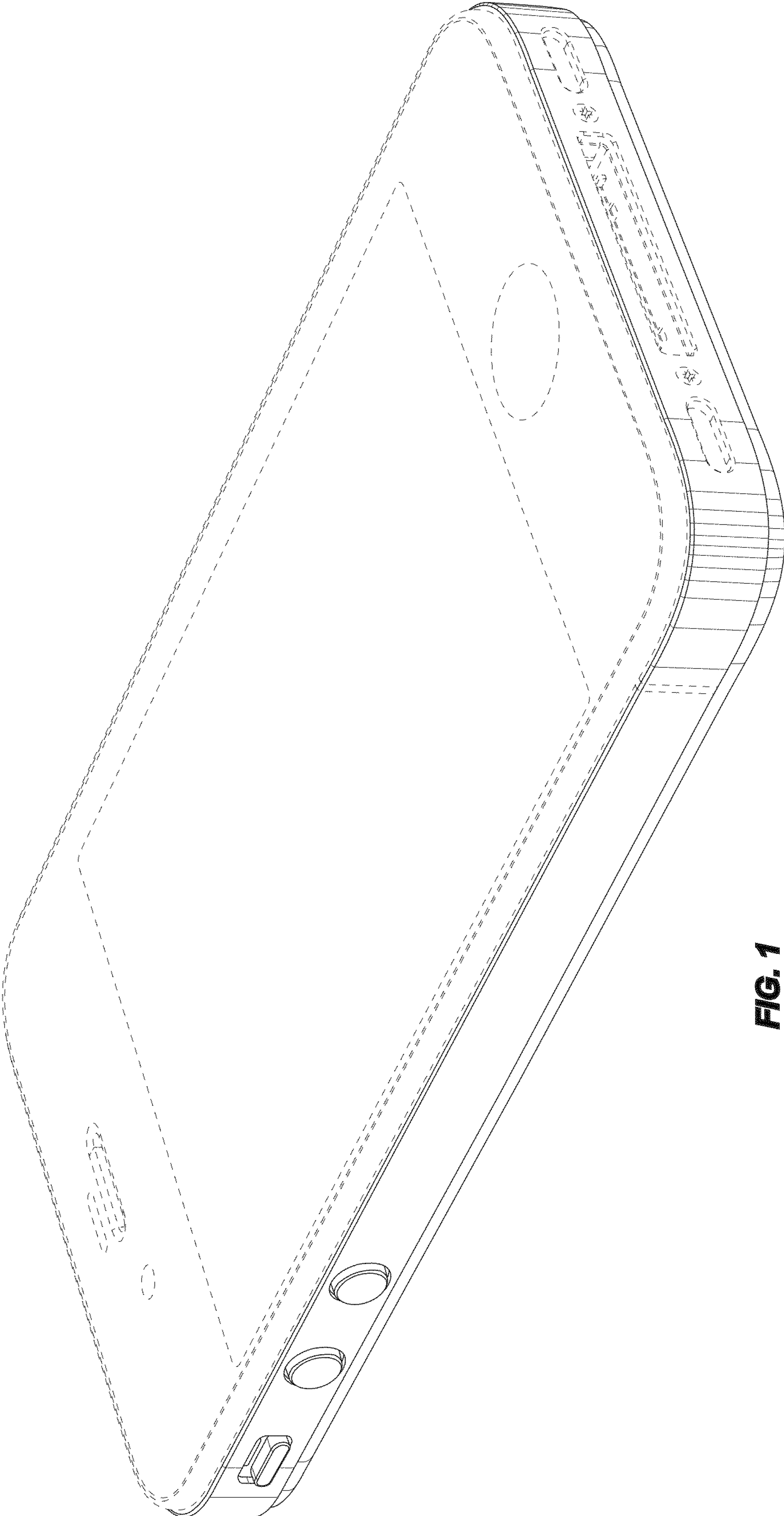
Mobilegazette.com, "E-TEN Glofiish X650," (<http://www.mobilegazette.com/eten-glofiish-x650-08x01x12.htm>), published Jan. 12, 2008, 2 pages.

Mohindru, Ravin, "New iPod touch 4G (4th gen) First Impressions," TouchReviews.net, (<http://touchreviews.net/ipod-touch-4g-4-impressions/>), published Sep. 7, 2010, 10 pages.

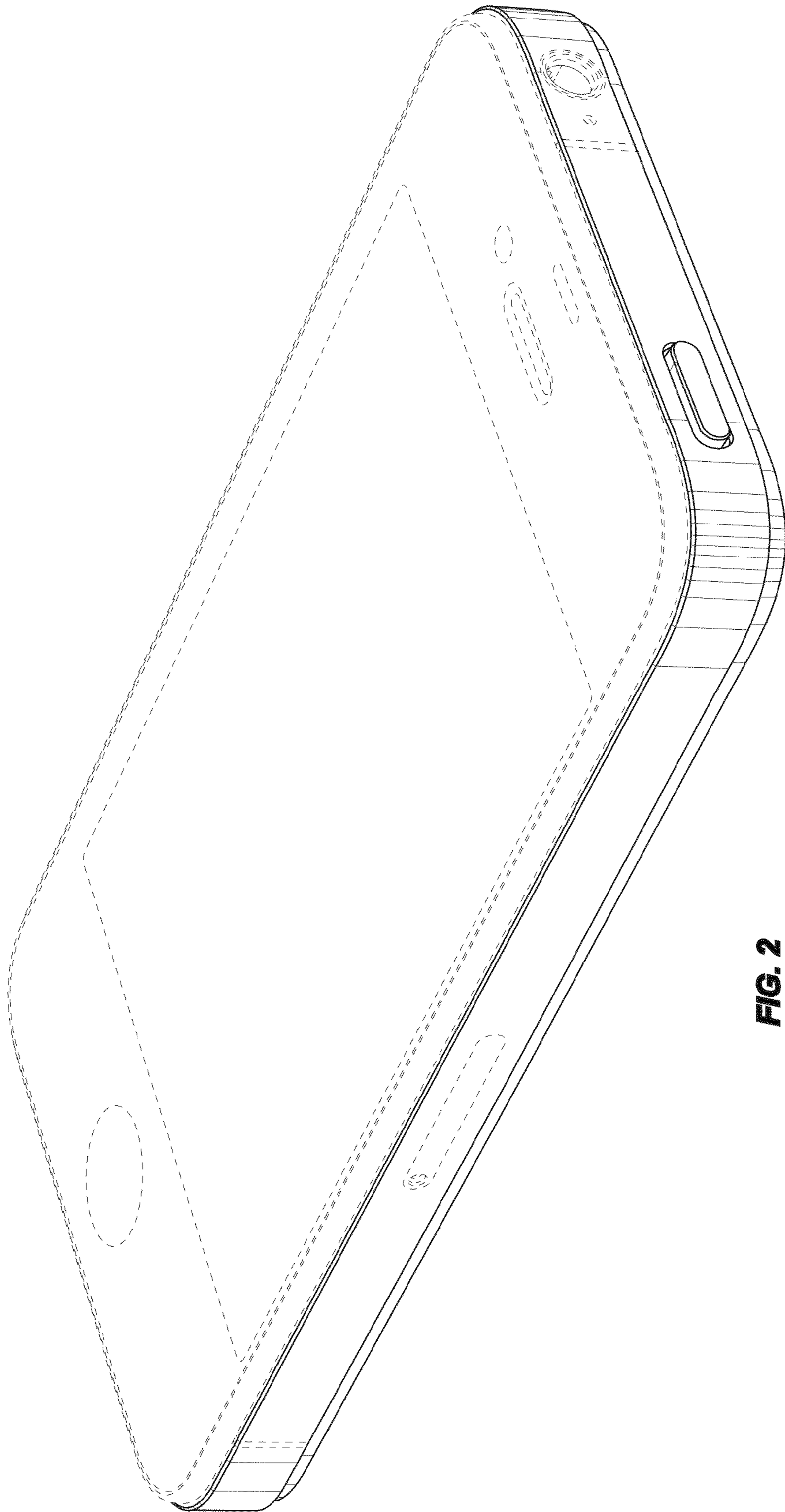
Support.Apple.com, "Identifying iPhone Models," (<http://web.archive.org/web/20121211214303/http://support.apple.com/kb/HT3939>), last modified Oct. 30, 2012, 5 pages.

Support.Apple.com, "Identifying iPod Models," (<http://web.archive.org/web/20121024182303/http://support.apple.com/kb/HT1353>), last modified Apr. 6, 2012, 16 pages.

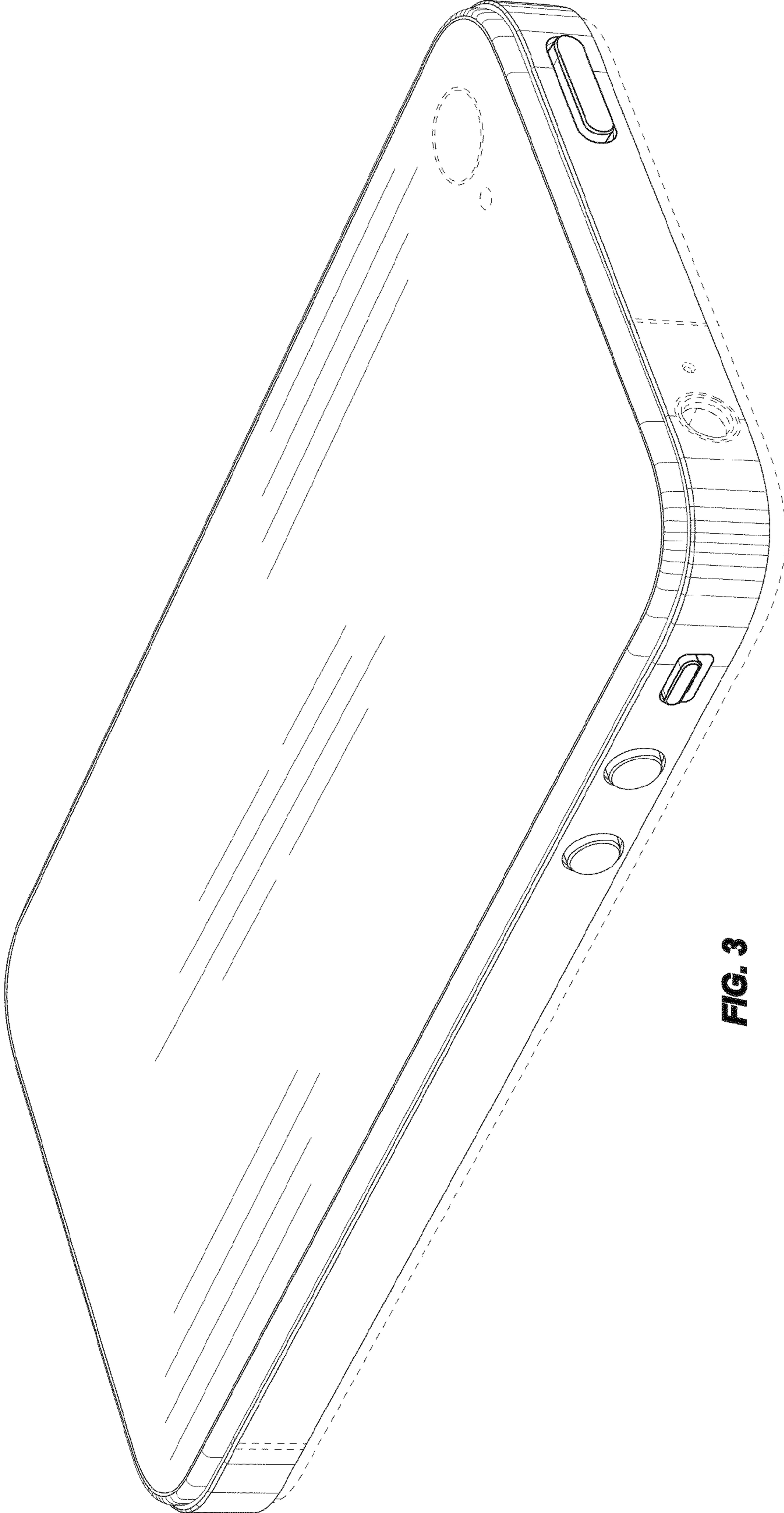
\* cited by examiner



**FIG. 1**



**FIG. 2**



**FIG. 3**

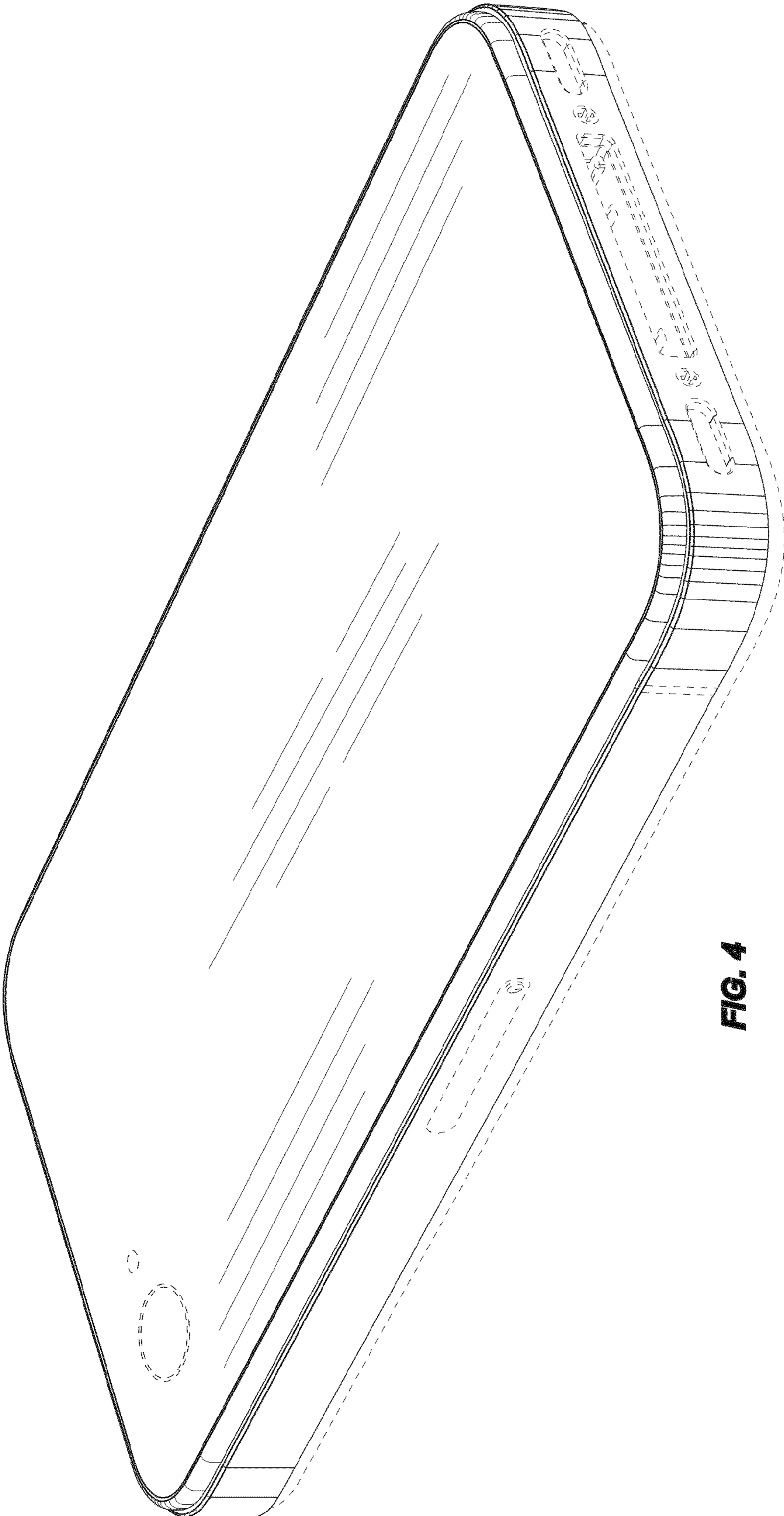
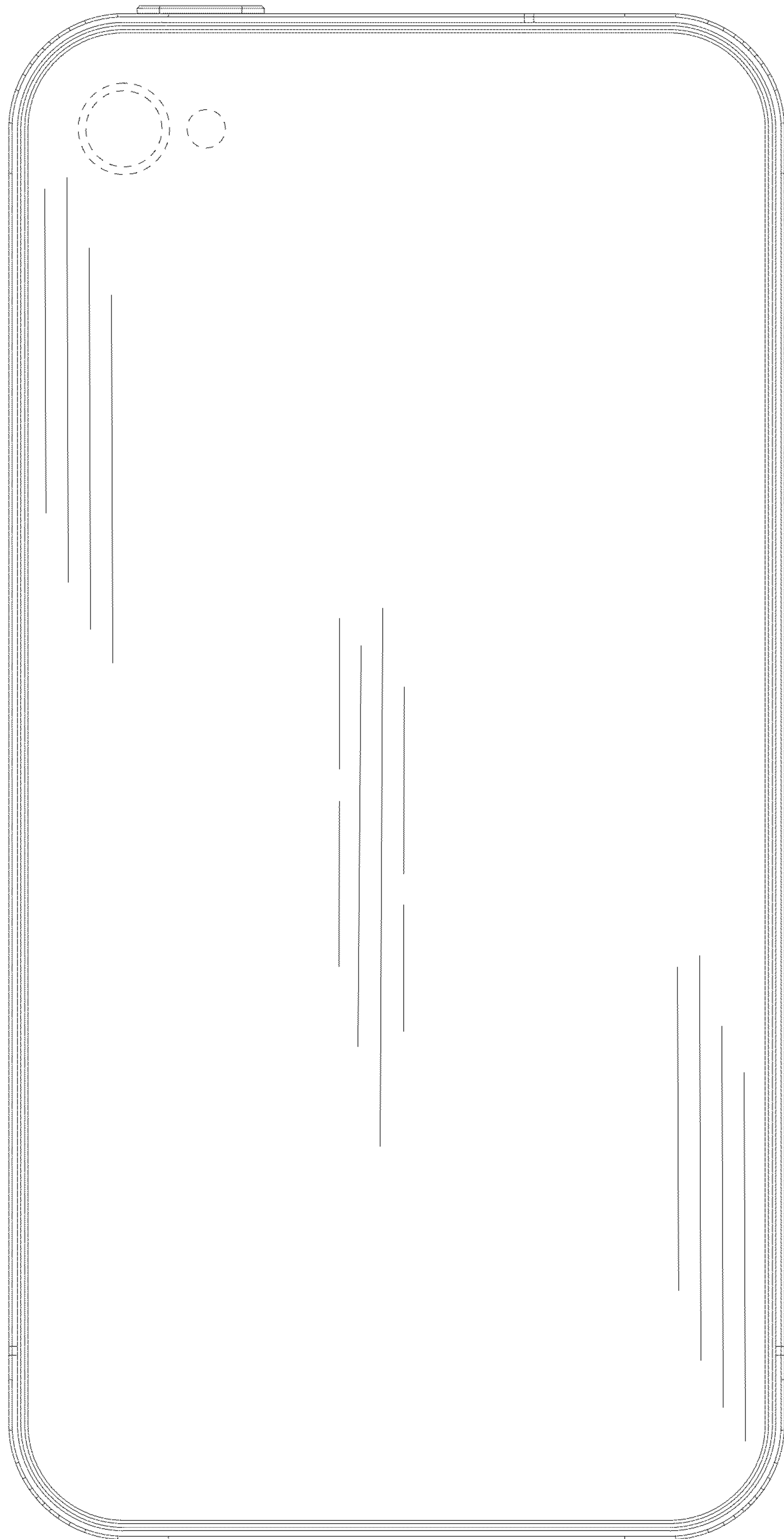


FIG. 4

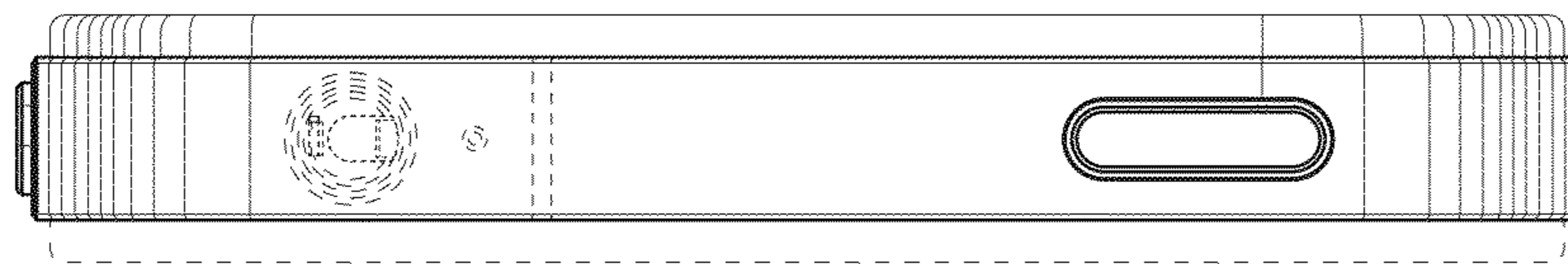




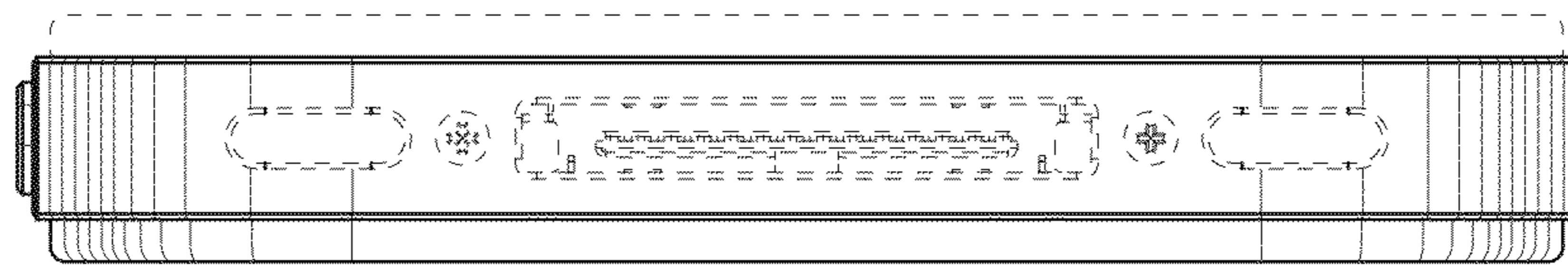
**FIG. 5**



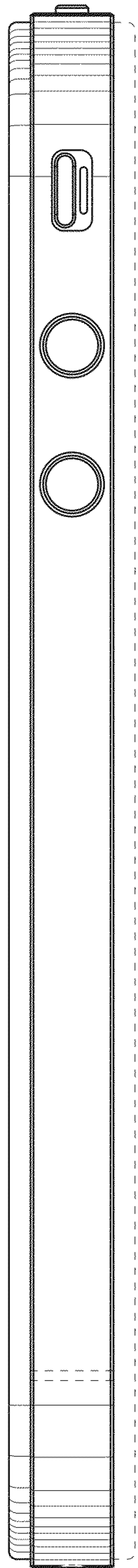
**FIG. 6**



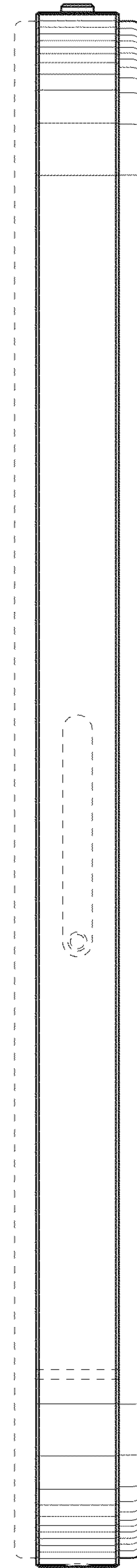
**FIG. 7**



**FIG. 8**



**FIG. 9**



**FIG. 10**