



US00D706772S

(12) **United States Design Patent**
Koyama et al.

(10) **Patent No.:** **US D706,772 S**
(45) **Date of Patent:** **** Jun. 10, 2014**

(54) **ELECTRONIC COMPUTER**

FOREIGN PATENT DOCUMENTS

(71) Applicant: **Kabushiki Kaisha Toshiba**, Tokyo (JP)

JP D1367852 8/2009
JP D1437823 4/2012

(72) Inventors: **Takashi Koyama**, Tokyo (JP); **Toshio Takada**, Tokyo (JP)

OTHER PUBLICATIONS

(73) Assignee: **Kabushiki Kaisha Toshiba**, Minato-Ku, Tokyo (JP)

Print out of website showing the product Aspire S3-951-F34C (3 pages); Date of Publication unknown.

Print out of website showing the product Dell XPS13 (3 pages); Date of Publication unknown.

(**) Term: **14 Years**

* cited by examiner

(21) Appl. No.: **29/443,924**

Primary Examiner — Freda S Nunn

(22) Filed: **Jan. 24, 2013**

(74) *Attorney, Agent, or Firm* — Banner & Witcoff, Ltd.

(30) **Foreign Application Priority Data**

(57) **CLAIM**

The ornamental design for electronic computer, as shown and describe.

Aug. 29, 2012 (JP) 2012-020682

(51) **LOC (10) Cl.** **14-02**

DESCRIPTION

(52) **U.S. Cl.**
USPC **D14/327**

(58) **Field of Classification Search**
USPC D14/315-327; D18/1, 2, 7, 11;
235/145 A, 145 R; 341/22, 23; 345/104,
345/156, 168, 169, 173; 361/679.08,
361/679.09, 679.11, 679.26, 679.27
See application file for complete search history.

FIG. 1 is a reduced top, front and right side perspective view of an electronic computer showing our new design, FIG. 2 is a reduced bottom, front and right side perspective view thereof, FIG. 3 is a front elevational view thereof, FIG. 4 is a rear elevational view thereof, FIG. 5 is a left side elevational view thereof, FIG. 6 is a right side elevational view thereof, FIG. 7 is a top plan view thereof, FIG. 8 is a bottom plan view thereof, FIG. 9 is a front elevational view showing the article in a closed position thereof, FIG. 10 is a right side elevational view showing the article in the closed position thereof; and, FIG. 11 is a top plan view showing the article in the closed position thereof. The broken lines are shown in the views for illustrative purposes only and form no part of the claimed design.

(56) **References Cited**

U.S. PATENT DOCUMENTS

D463,797 S * 10/2002 Andre et al. D14/327
D501,472 S 2/2005 Kumano
D556,192 S * 11/2007 Jeong et al. D14/327
D598,442 S 8/2009 Wang
D604,294 S 11/2009 Andre et al.
D611,044 S * 3/2010 Andre et al. D14/327
D616,881 S 6/2010 Andre et al.
D642,172 S 7/2011 Akana et al.
D642,560 S 8/2011 Akana et al.

1 Claim, 7 Drawing Sheets

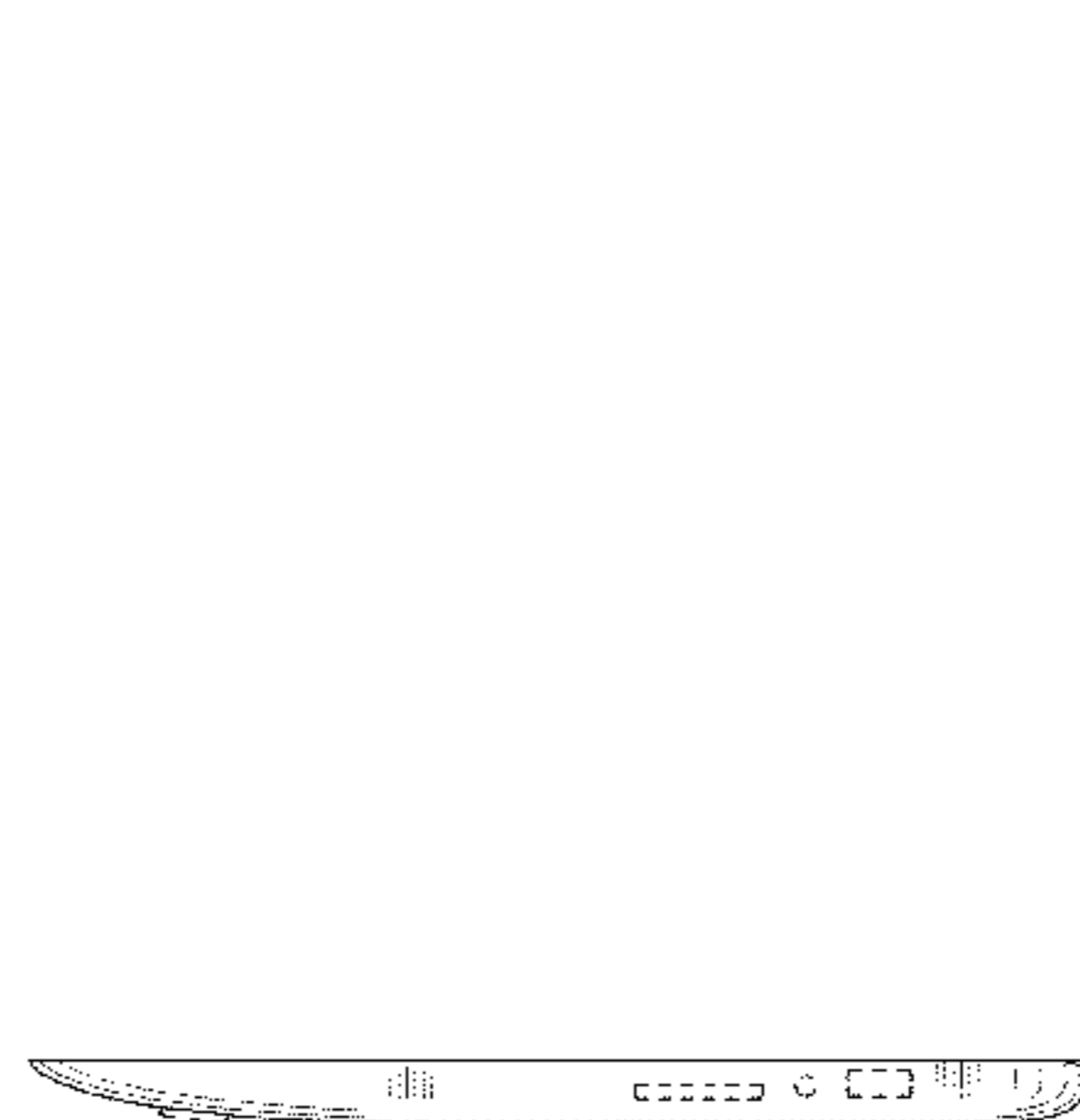
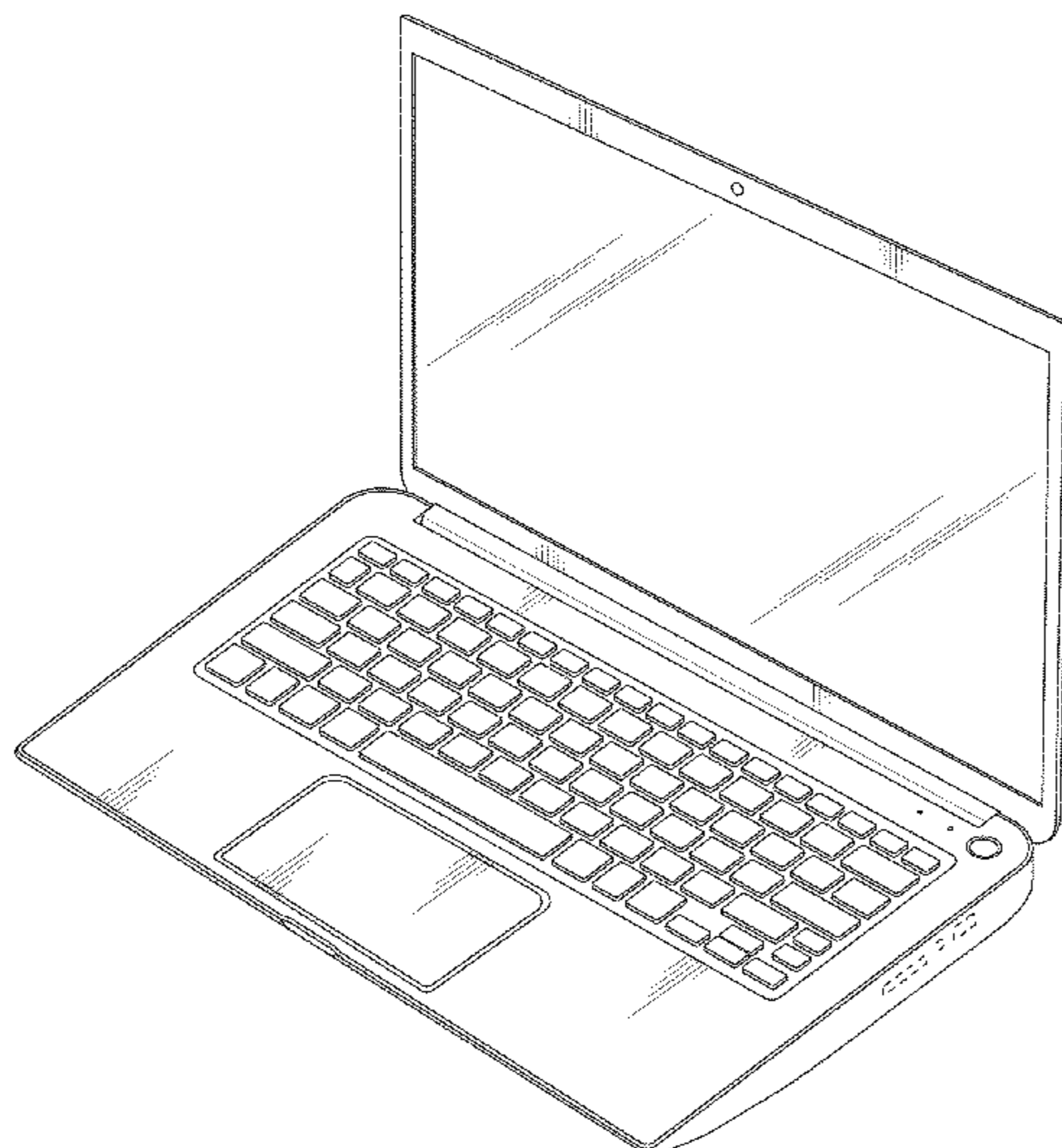


Fig. 1

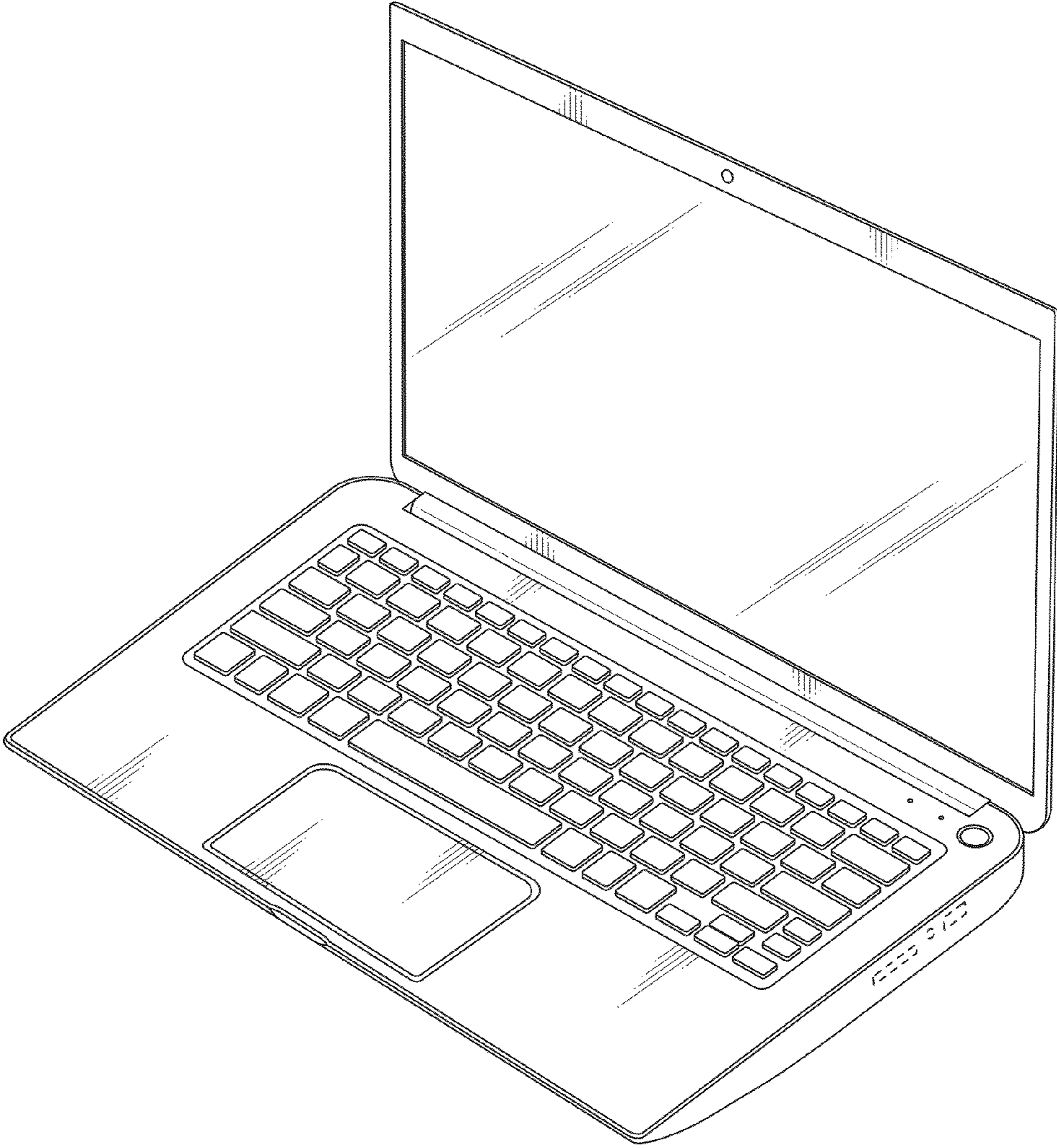


Fig. 2

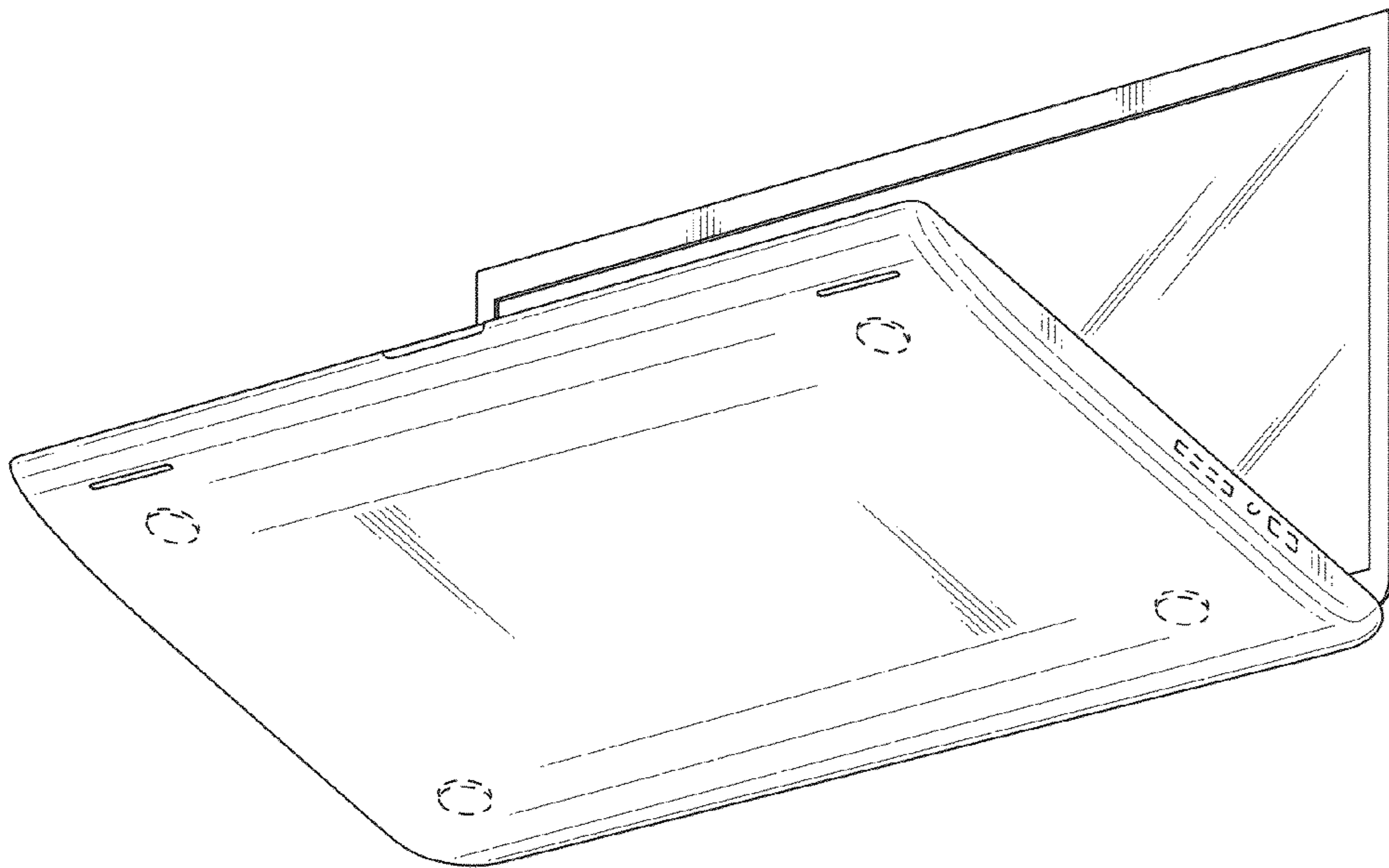


Fig. 3

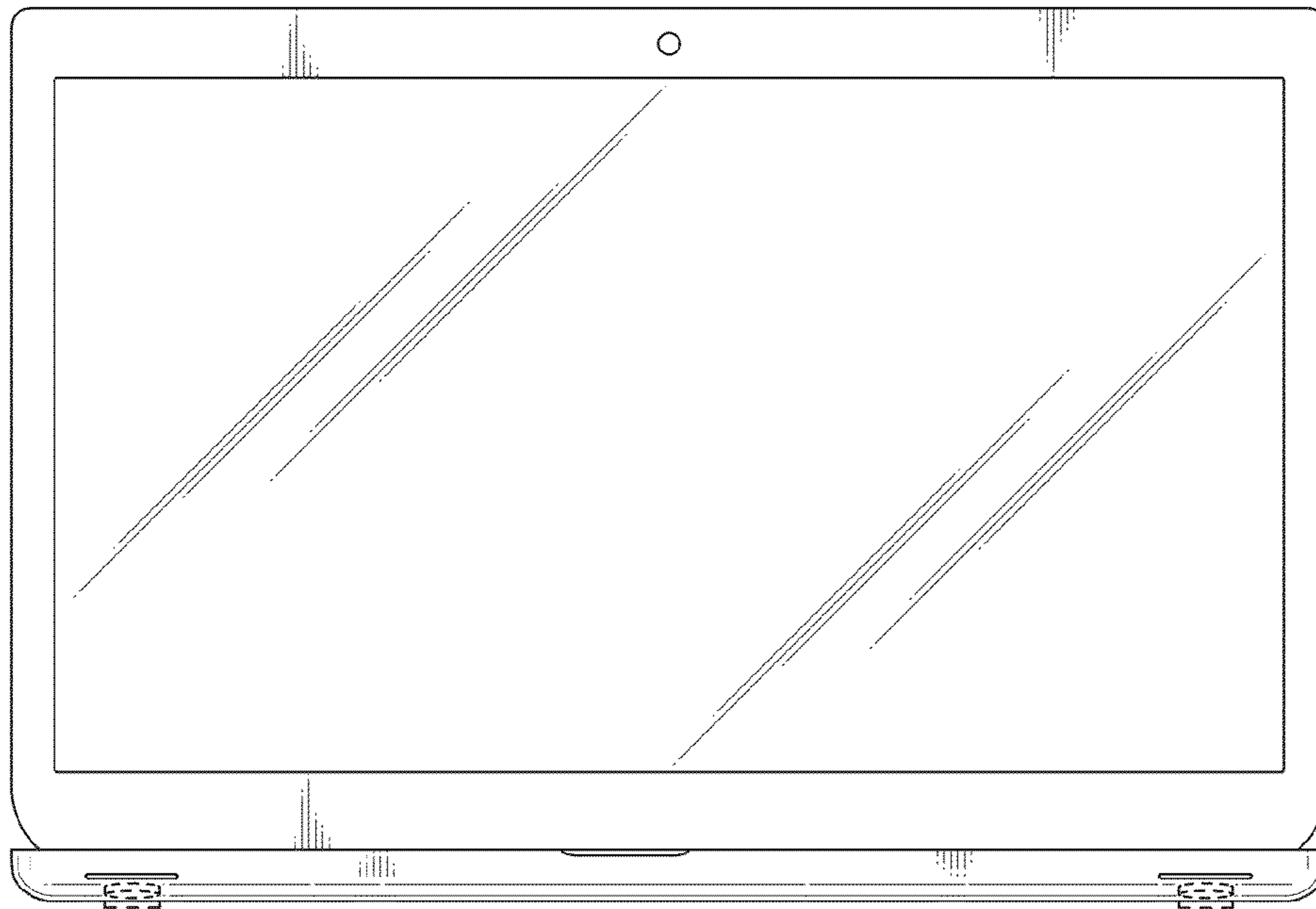


Fig. 4



Fig. 5

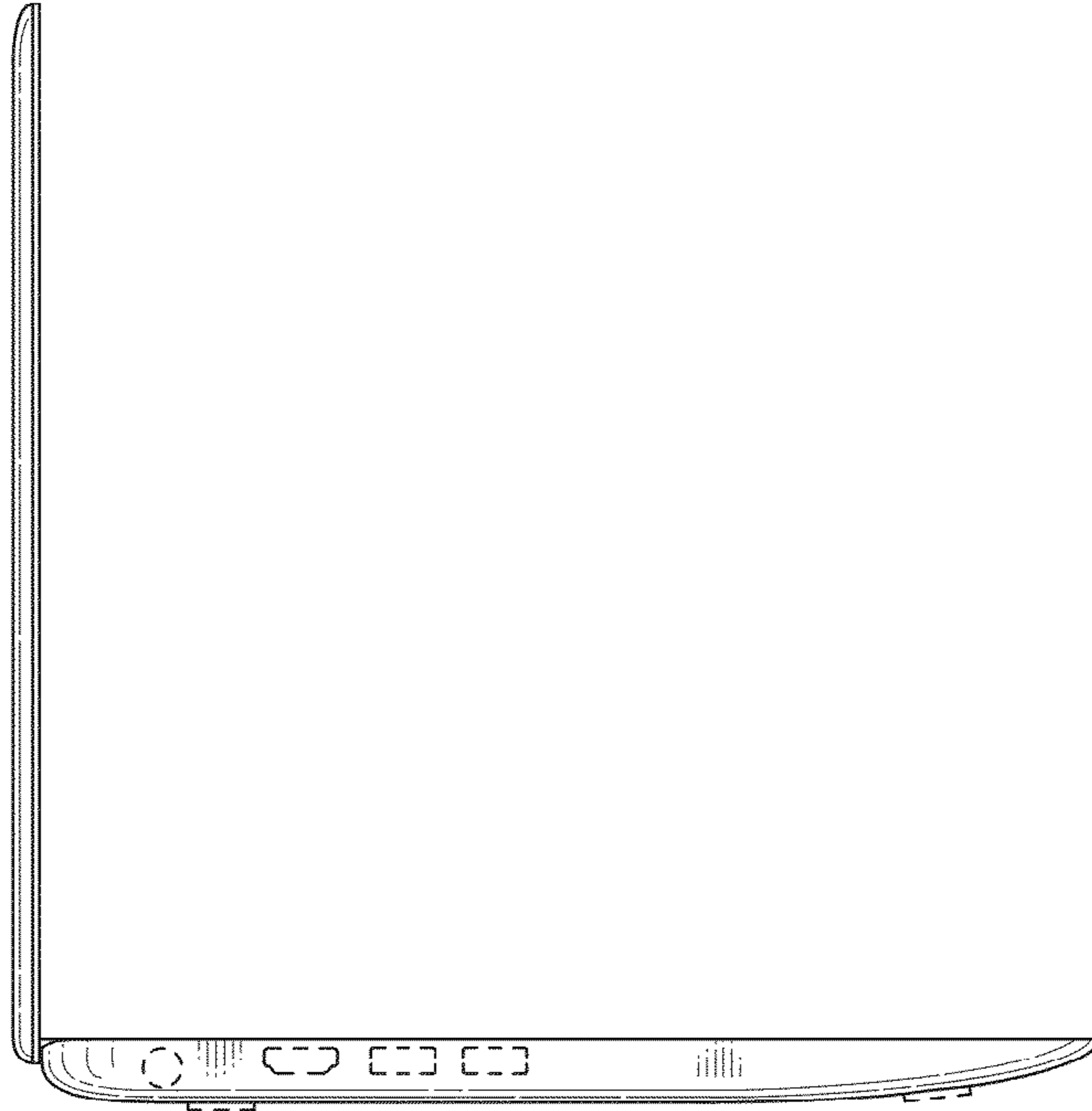


Fig. 6

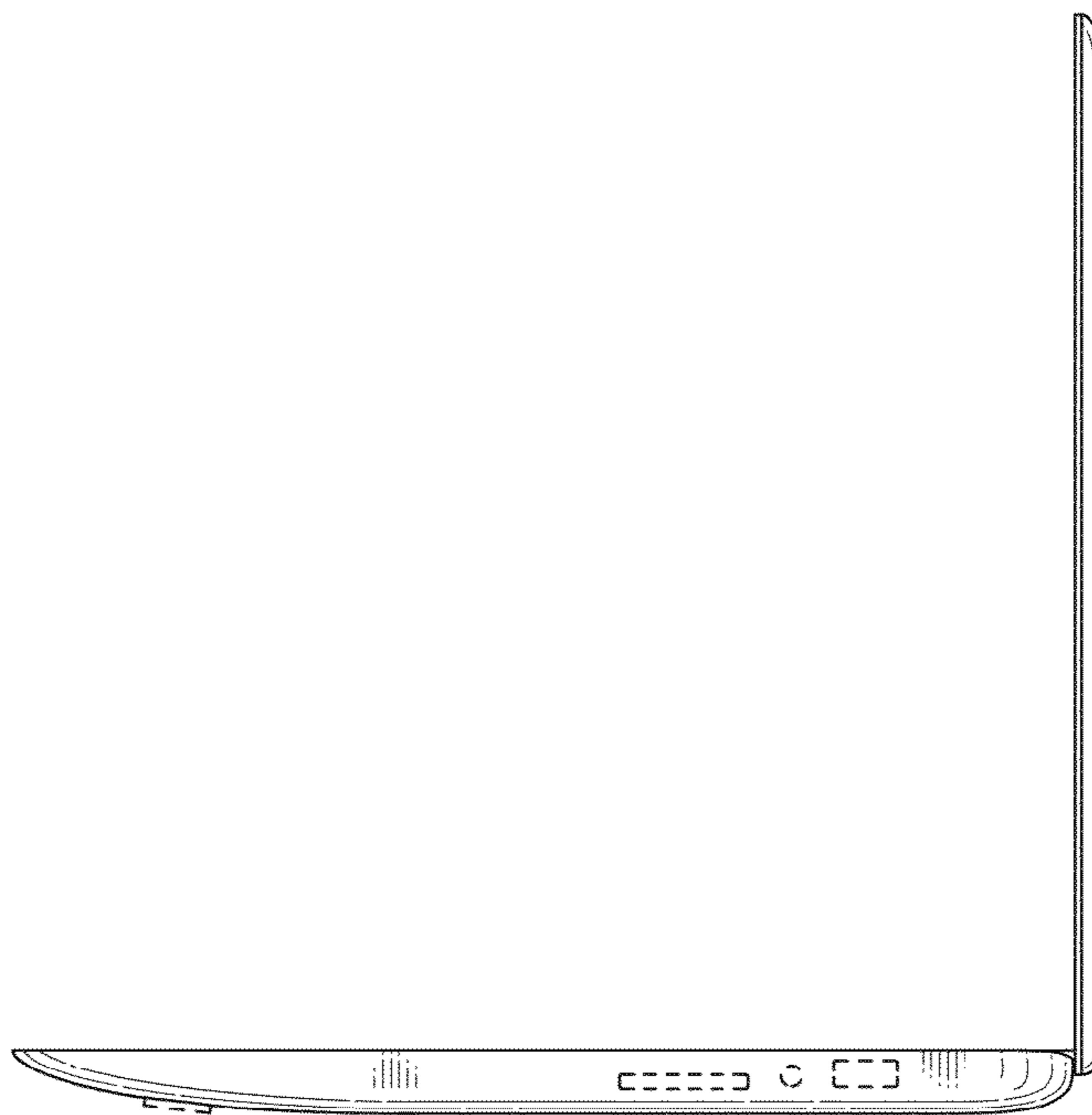


Fig. 7

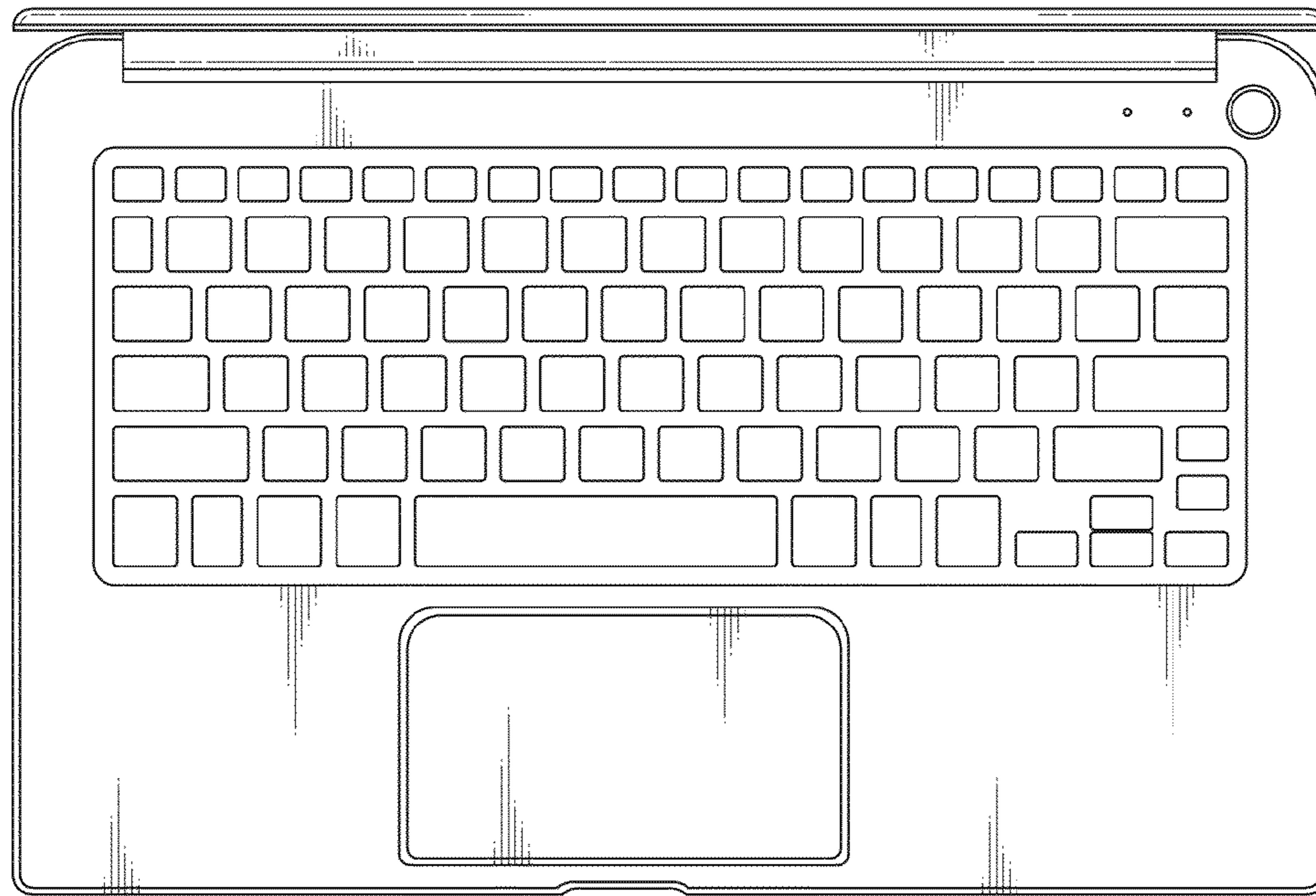


Fig. 8

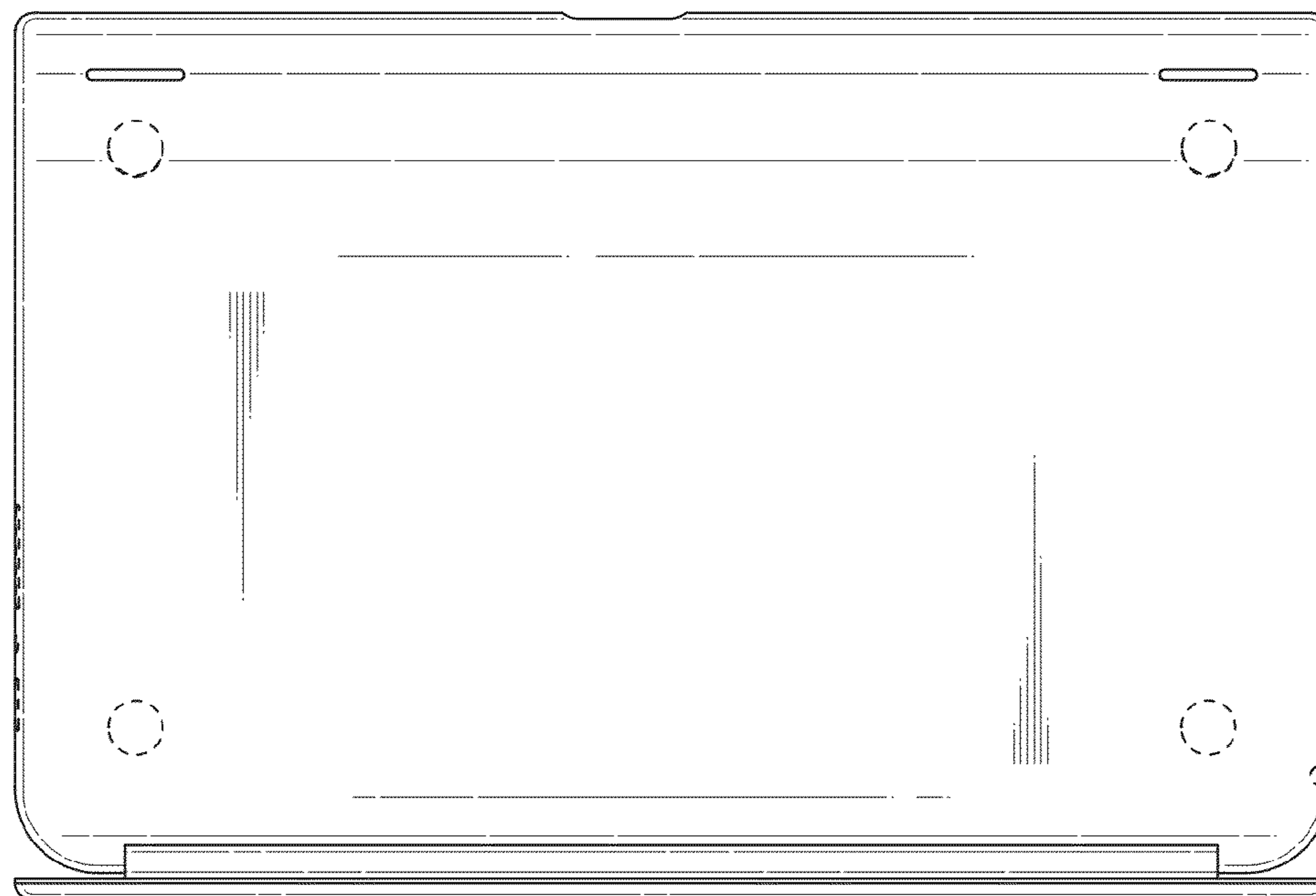


Fig. 9

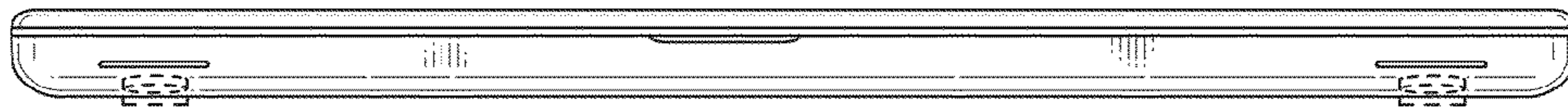


Fig. 10



Fig. 11

