



US00D706766S

(12) **United States Design Patent**
Lee et al.

(10) **Patent No.:** **US D706,766 S**
(45) **Date of Patent:** **** Jun. 10, 2014**

(54) **PORTABLE COMPUTER**

(71) Applicant: **Samsung Electronics Co., Ltd.**,
Suwon-Si (KR)

(72) Inventors: **Chang-Ho Lee**, Seoul (KR); **Zi-On Kwon**, Gyeongsangnam-do (KR);
Jochen Backs, San Francisco, CA (US);
Won-Suk Chung, Seoul (KR);
Han-Kyung Ji, Kyunggi-do (KR)

(73) Assignee: **Samsung Electronics Co., Ltd.**,
Suwon-Si (KR)

(**) Term: **14 Years**

(21) Appl. No.: **29/441,093**

(22) Filed: **Dec. 31, 2012**

(51) **LOC (10) Cl.** **14-02**

(52) **U.S. Cl.**
USPC **D14/316**

(58) **Field of Classification Search**
USPC D14/315-327, 331; D18/1, 2, 7, 11;
235/145 A, 145 R; 341/22, 23; 345/104,
345/156, 168, 169, 173; 361/679.08,
361/679.09, 679.11, 679.26, 679.27;
379/433.12; 16/341, 367
See application file for complete search history.

(56) **References Cited**

U.S. PATENT DOCUMENTS

D284,084 S	6/1986	Ferrara, Jr.
D306,583 S	3/1990	Krolopp et al.
D332,944 S	2/1993	Kim
D333,574 S	3/1993	Ackeret
D334,738 S	4/1993	Kim
D335,870 S	5/1993	Yun
D336,465 S	6/1993	Kim
D337,569 S	7/1993	Kando
D338,457 S	8/1993	Kim

D348,442 S	7/1994	Yoon
6,067,224 A	5/2000	Nobuchi
6,519,139 B2	2/2003	Kambayashi
D492,678 S	7/2004	Kim et al.
6,775,129 B1	8/2004	Ghosh et al.

(Continued)

FOREIGN PATENT DOCUMENTS

KR	3004230930000	8/2006
KR	3005506890000	1/2010

(Continued)

OTHER PUBLICATIONS

U.S. Appl. No. 29/419,063, Applicant: Kim, et al., filed May 2, 2012
entitled Notebook Computer.

(Continued)

Primary Examiner — Freda S Nunn

(74) *Attorney, Agent, or Firm* — Wood, Herron & Evan, LLP

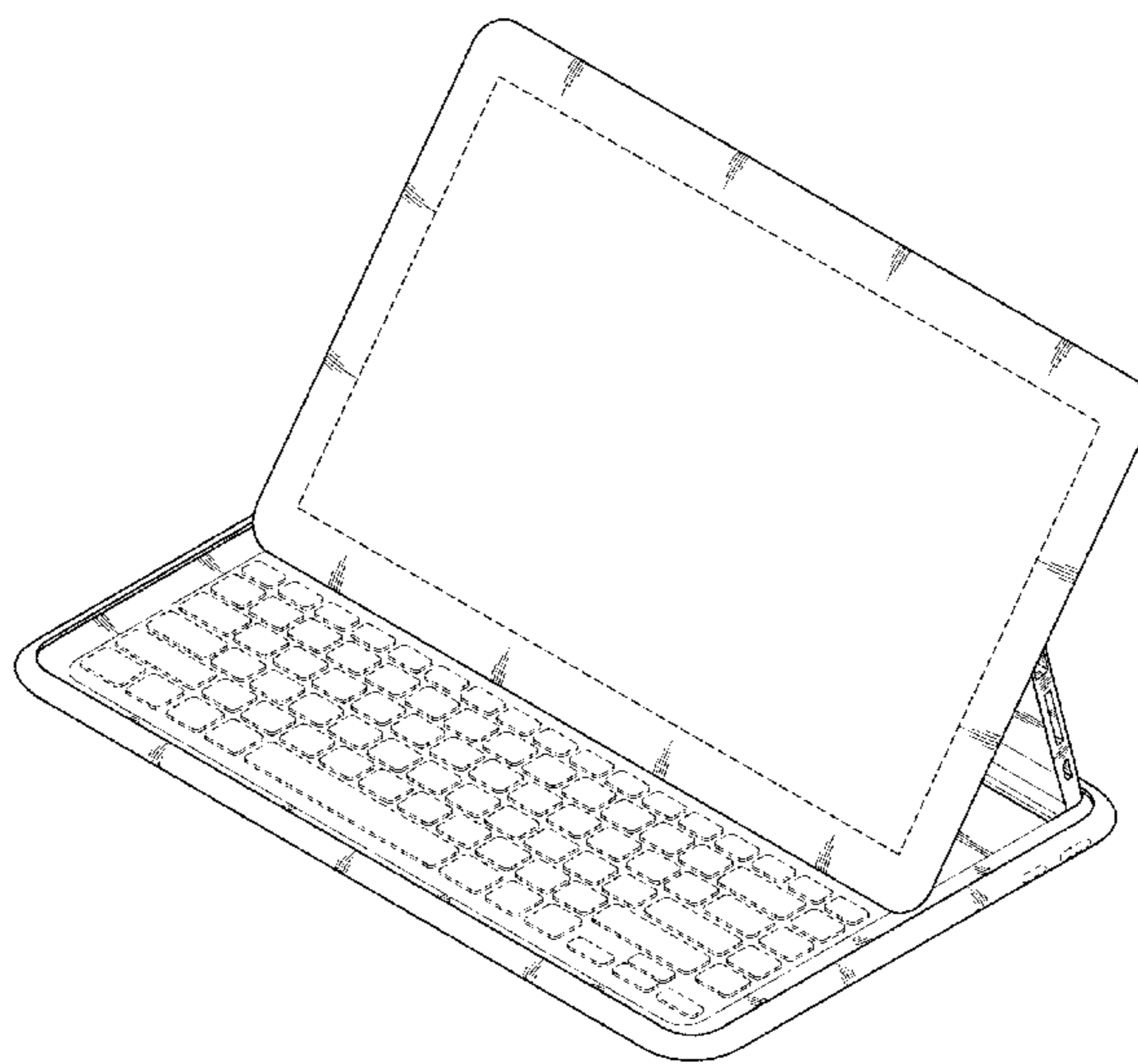
(57) **CLAIM**

The ornamental design for a portable computer, as shown and
described.

DESCRIPTION

FIG. 1 is a top front perspective view of a portable computer
showing our new design;
FIG. 2 is a front elevational view thereof;
FIG. 3 is a rear elevational view thereof;
FIG. 4 is a left side elevational view thereof;
FIG. 5 is a right side elevational view thereof;
FIG. 6 is a top plan view thereof;
FIG. 7 is a bottom plan view thereof; and,
FIG. 8 is a top front perspective view thereof when the upper
screen board is closed onto the lower keyboard body.
The broken lines depict environmental subject matter only
and form no part of the claimed design.

1 Claim, 7 Drawing Sheets



(56)

References Cited

U.S. PATENT DOCUMENTS

6,781,819 B2 8/2004 Yang et al.
 6,785,128 B1 8/2004 Yun
 D499,704 S 12/2004 Song
 D500,991 S 1/2005 Niitsu
 D504,889 S 5/2005 Andre et al.
 6,972,946 B2 12/2005 Hamada et al.
 D517,545 S 3/2006 Buckel et al.
 7,012,802 B2 3/2006 Nakajima et al.
 D523,010 S 6/2006 Paek et al.
 D523,431 S 6/2006 Yoon
 D523,851 S 6/2006 Jeong et al.
 D523,852 S 6/2006 Kim et al.
 D524,306 S 7/2006 Yun et al.
 D524,307 S 7/2006 Kim et al.
 D528,541 S * 9/2006 Maskatia D14/315
 D532,791 S 11/2006 Kim
 D535,292 S * 1/2007 Shi et al. D14/315
 D535,652 S 1/2007 Lee et al.
 7,158,634 B2 * 1/2007 Eromaki 379/433.13
 D540,790 S 4/2007 Kim et al.
 D547,309 S 7/2007 Yoon
 D547,310 S 7/2007 Yoon
 D556,192 S 11/2007 Jeong et al.
 D563,804 S 3/2008 Kimura et al.
 D567,236 S 4/2008 Yoon
 D578,523 S 10/2008 Yoon
 D578,524 S 10/2008 Yoon
 D578,525 S 10/2008 Yoon
 D579,930 S 11/2008 Maskatia
 D580,432 S 11/2008 Yun et al.
 D584,738 S 1/2009 Kim et al.
 D586,343 S 2/2009 Lee et al.
 D586,796 S 2/2009 Lee et al.
 D586,797 S 2/2009 Kawase et al.
 D587,701 S 3/2009 Yoon
 D587,710 S 3/2009 Han
 D588,126 S 3/2009 Chiang et al.
 D589,511 S 3/2009 Han
 D589,958 S 4/2009 Han
 D590,374 S 4/2009 Madonna et al.
 D592,214 S 5/2009 Bradford
 D596,633 S 7/2009 Kawase et al.
 D602,014 S 10/2009 Andre et al.
 D602,487 S 10/2009 Maskatia
 7,599,487 B2 * 10/2009 Lim 379/433.12
 D603,391 S 11/2009 Song et al.
 D603,392 S 11/2009 Jeong et al.
 D603,393 S 11/2009 Paek
 D603,394 S 11/2009 Lee
 D603,395 S 11/2009 Hong et al.
 D603,692 S 11/2009 Boyd
 D603,861 S 11/2009 Hong et al.
 D605,626 S 12/2009 Park
 D606,067 S 12/2009 Yoon
 D606,068 S 12/2009 Hong et al.
 D606,069 S 12/2009 Heck et al.
 D606,070 S 12/2009 Heck et al.
 D606,534 S 12/2009 Hong et al.
 D608,777 S 1/2010 Yoon
 D610,582 S 2/2010 Sugitani et al.
 D611,364 S 3/2010 Lenz et al.
 D611,468 S 3/2010 Yun et al.
 D613,510 S 4/2010 Tzeng et al.
 D613,951 S 4/2010 Tang et al.
 D613,961 S 4/2010 Lin
 D614,614 S 4/2010 Yoon
 D614,615 S 4/2010 Yoon
 7,690,576 B2 * 4/2010 Ladouceur et al. 235/486
 D617,793 S 6/2010 Chiang et al.
 D622,268 S 8/2010 Hong et al.
 D622,270 S 8/2010 Andre et al.
 D626,124 S 10/2010 Chyan et al.
 D626,543 S 11/2010 Hagen
 D626,546 S 11/2010 Paek
 D626,547 S * 11/2010 Li et al. D14/316

D627,341 S 11/2010 Yoon
 D627,667 S 11/2010 Lenz et al.
 D627,773 S 11/2010 Paek
 D628,195 S 11/2010 Yoon
 D628,913 S 12/2010 Cheng
 D629,799 S 12/2010 Andre et al.
 D631,040 S 1/2011 Yoon et al.
 D631,455 S 1/2011 Kim et al.
 D631,471 S 1/2011 Jensen et al.
 D631,472 S 1/2011 Kawase et al.
 D631,473 S 1/2011 Lee et al.
 D631,878 S 2/2011 Jensen et al.
 D631,879 S 2/2011 Kawase
 D633,487 S 3/2011 Kim et al.
 D633,488 S 3/2011 Kim et al.
 D633,489 S 3/2011 Kim et al.
 D633,490 S 3/2011 Kim et al.
 7,916,889 B2 3/2011 Takakusaki
 D636,388 S 4/2011 Kawase
 D638,416 S 5/2011 Kawase
 D639,806 S 6/2011 Lee et al.
 D640,255 S 6/2011 Lee et al.
 D641,748 S 7/2011 Kawase
 D643,031 S 8/2011 Yoon et al.
 D643,032 S 8/2011 Heck et al.
 D643,425 S 8/2011 Jung et al.
 D646,677 S 10/2011 Moon et al.
 D649,542 S 11/2011 Yoon et al.
 D650,325 S 12/2011 Kim et al.
 D650,378 S 12/2011 Lee et al.
 D650,379 S 12/2011 Paek et al.
 D651,206 S 12/2011 Kim et al.
 D651,597 S 1/2012 Lee et al.
 D651,598 S 1/2012 Kim et al.
 D651,599 S 1/2012 Kim et al.
 D651,600 S 1/2012 Lee et al.
 D652,415 S 1/2012 Lee et al.
 D652,416 S 1/2012 Park et al.
 D652,417 S 1/2012 Lee et al.
 D652,831 S 1/2012 Lee et al.
 D653,669 S 2/2012 Kim et al.
 D657,785 S 4/2012 Lee et al.
 D658,173 S 4/2012 Kim
 8,149,222 B2 4/2012 Hsieh et al.
 D661,294 S 6/2012 Park et al.
 D661,295 S 6/2012 Park et al.
 D661,298 S 6/2012 Park et al.
 D661,299 S 6/2012 Kim et al.
 D661,300 S 6/2012 Kim et al.
 D661,301 S 6/2012 Kim et al.
 D661,302 S 6/2012 Fukasawa et al.
 D664,532 S 7/2012 Lee
 D664,533 S 7/2012 Lee et al.
 D664,534 S 7/2012 Lee et al.
 D664,535 S 7/2012 Lee et al.
 D664,538 S 7/2012 Ryu et al.
 D664,540 S 7/2012 Kim et al.
 D664,954 S 8/2012 Kim et al.
 D664,955 S 8/2012 Kim et al.
 D671,111 S 11/2012 Kim et al.
 D671,536 S 11/2012 Fukusawa et al.
 D671,538 S 11/2012 Kim et al.
 D671,539 S 11/2012 Kim et al.
 2005/0018396 A1 1/2005 Nakajima et al.
 2005/0041378 A1 2/2005 Hamada et al.
 2005/0044665 A1 * 3/2005 Kuramochi 16/341
 2009/0231292 A1 9/2009 Hsieh et al.

FOREIGN PATENT DOCUMENTS

KR 3005544080000 3/2010
 KR 3005639120000 6/2010
 KR 3005639130000 6/2010
 KR 3005680110000 7/2010
 KR 3005804720000 11/2010
 KR 3005869900000 1/2011
 KR 3005942330000 4/2011
 KR 3005958550000 4/2011
 KR 3006013110001 6/2011

(56)

References Cited

FOREIGN PATENT DOCUMENTS

KR	3006013130000	6/2011
KR	3006013160000	6/2011
KR	3006013170000	6/2011
KR	3006052790000	7/2011
KR	3006052810000	7/2011
KR	3006052820000	7/2011
KR	3006052830000	7/2011
KR	3006059710000	7/2011
KR	3006063210000	7/2011
KR	3006064090000	7/2011
KR	3006083610000	8/2011
KR	3006083630000	8/2011
KR	3006083640000	8/2011
KR	3006083650000	8/2011
KR	3006083710000	8/2011
KR	3006083730000	8/2011
KR	3006085180000	8/2011

OTHER PUBLICATIONS

U.S. Appl. No. 29/419,062, Applicant: Kim, et al., filed May 2, 2012 entitled Notebook Computer.

U.S. Appl. No. 29/419,914, Applicant: Park, et al., filed May 2, 2012 entitled Notebook Computer.

U.S. Appl. No. 29/419,915, Applicant: Kim, et al., filed May 2, 2012 entitled Notebook Computer.

U.S. Appl. No. 29/422,581, Applicant: Park, et al., filed May 22, 2012 entitled Notebook Computer.

U.S. Appl. No. 29/422,594, Applicant: Park, et al., filed Jun. 12, 2012 entitled Notebook Computer.

U.S. Appl. No. 29/422,779, Applicant: Tae-Yun Kim, filed May 23, 2012 entitled Notebook Computer.

U.S. Appl. No. 29/423,727, Applicant: Lee, et al., filed Jun. 4, 2012 entitled Notebook Computer.

U.S. Appl. No. 29/424,073, Applicant: Lee, et al., filed Jun. 7, 2012 entitled Notebook Computer.

U.S. Appl. No. 29/424,462, Applicant: Sang-Eun Lee, filed Jun. 12, 2012 entitled Notebook Computer.

U.S. Appl. No. 29/425,225, Applicant: Jung, et al., filed Jun. 20, 2012 entitled Portable Computer.

U.S. Appl. No. 29/425,446, Applicant: Kim, et al., filed Jun. 22, 2012 entitled Portable Computer.

U.S. Appl. No. 29/425,828, Applicant: Kim, et al., filed Jun. 27, 2012 entitled Portable Computer.

U.S. Appl. No. 29/425,836, Applicant: Park, et al., filed Jun. 27, 2012 entitled Portable Computer.

U.S. Appl. No. 29/423,726, Applicant: Lee, et al., filed Jun. 4, 2012 entitled Notebook Computer.

U.S. Appl. No. 29/424,453, Applicant: Lee, et al., filed Jun. 12, 2012 entitled Notebook Computer.

U.S. Appl. No. 29/435,889, Applicant: Lee, et al., filed Oct. 30, 2012 entitled Portable Computer.

U.S. Appl. No. 29/438,948, Applicant: Kim et al., filed Dec. 5, 2012 entitled Portable Computer.

U.S. Appl. No. 29/438,951, Applicant: Kim et al., filed Dec. 5, 2012 entitled Portable Computer.

U.S. Appl. No. 29/441,093, Applicant: Lee et al., filed Dec. 31, 2012 entitled Portable Computer.

U.S. Appl. No. 29/441,101, Applicant: Lee et al., filed Dec. 31, 2012 entitled Portable Computer.

U.S. Appl. No. 29/441,179, Applicant: Lee et al., filed Jan. 2, 2013 entitled Portable Computer.

U.S. Appl. No. 29/441,112, Applicant: Lee et al., filed Dec. 31, 2012 entitled Portable Computer.

U.S. Appl. No. 29/441,114, Applicant: Lee et al., filed Dec. 31, 2012 entitled Portable Computer.

U.S. Appl. No. 29/438,934, Applicant: Kim et al., filed Dec. 5, 2012 entitled Slate Computer.

U.S. Appl. No. 29/419,893, Applicant: Kim et al., filed May 2, 2012 entitled Slate Computer.

U.S. Appl. No. 29/419,907, Applicant: Kim et al., filed May 2, 2012 entitled Slate Computer.

U.S. Appl. No. 29/425,977, Applicant: Park, filed Jun. 28, 2012 entitled Tablet Computer.

U.S. Appl. No. 29/425,978, Applicant: Lim et al., filed Jun. 28, 2012 entitled Tablet Computer.

U.S. Appl. No. 29/427,736, Applicant: Kim et al., filed Jul. 21, 2012 entitled Tablet Computer.

U.S. Appl. No. 29/431,774, Applicant: Lee et al., filed Sep. 11, 2012 entitled Tablet Computer.

U.S. Appl. No. 29/405,537, Applicant: Kim, filed Nov. 3, 2012 entitled Tablet Computer.

U.S. Appl. No. 29/407,975, Applicant: Chun et al., filed Dec. 6, 2011 entitled Tablet Computer.

U.S. Appl. No. 29/407,982, Applicant: Lee et al., filed Dec. 6, 2011 entitled Tablet Computer.

U.S. Appl. No. 29/407,984, Applicant: Jeon et al., filed Dec. 6, 2011 entitled Tablet Computer.

U.S. Appl. No. 29/408,009, Applicant: Song et al., filed Dec. 6, 2011 entitled Tablet Computer.

U.S. Appl. No. 29/408,017, Applicant: Song et al., filed Dec. 6, 2011 entitled Tablet Computer.

U.S. Appl. No. 29/416,029, Applicant: Kim et al., filed Mar. 16, 2012 entitled Tablet Computer.

U.S. Appl. No. 29/416,032, Applicant: Kim et al., filed Mar. 16, 2012 entitled Tablet Computer.

U.S. Appl. No. 29/418,670, Applicant: Song et al., filed Apr. 19, 2012 entitled Tablet Computer.

U.S. Appl. No. 29/419,911, Applicant: Kim et al., filed May 2, 2012 entitled Tablet Computer.

U.S. Appl. No. 29/420,669, Applicant: Lim et al., filed May 11, 2012 entitled Tablet Computer.

U.S. Appl. No. 29/422,467, Applicant: Song et al., filed May 21, 2012 entitled Tablet Computer.

U.S. Appl. No. 29/424,594, Applicant: Park, et al., filed Jun. 12, 2012 entitled Notebook Computer.

U.S. Appl. No. 29/435,870, Applicant: Lee, et al., filed Oct. 30, 2012 entitled Portable Computer.

U.S. Appl. No. 29/419,897, Applicant: Kim, et al., filed May 2, 2012 entitled Notebook Computer.

U.S. Appl. No. 29/419,903, Applicant: Kim, et al., filed May 2, 2012 entitled Notebook Computer.

U.S. Appl. No. 29/403,114, Applicant: Fukusawa, et al., filed Sep. 30, 2011 entitled Notebook Computer.

U.S. Appl. No. 29/405,517, Applicant: Kim, et al., filed Nov. 3, 2011 entitled Notebook Computer.

* cited by examiner

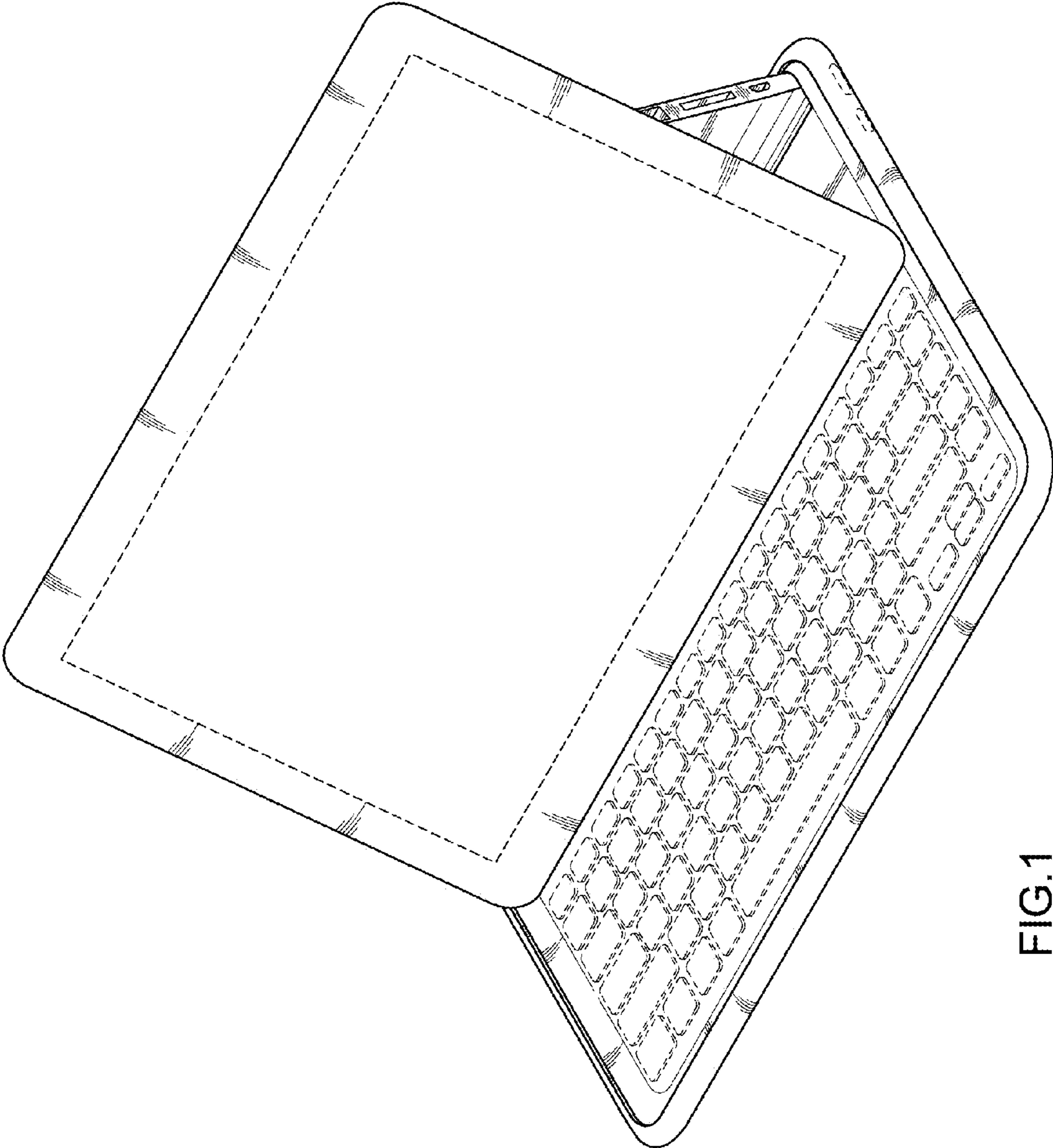


FIG.1

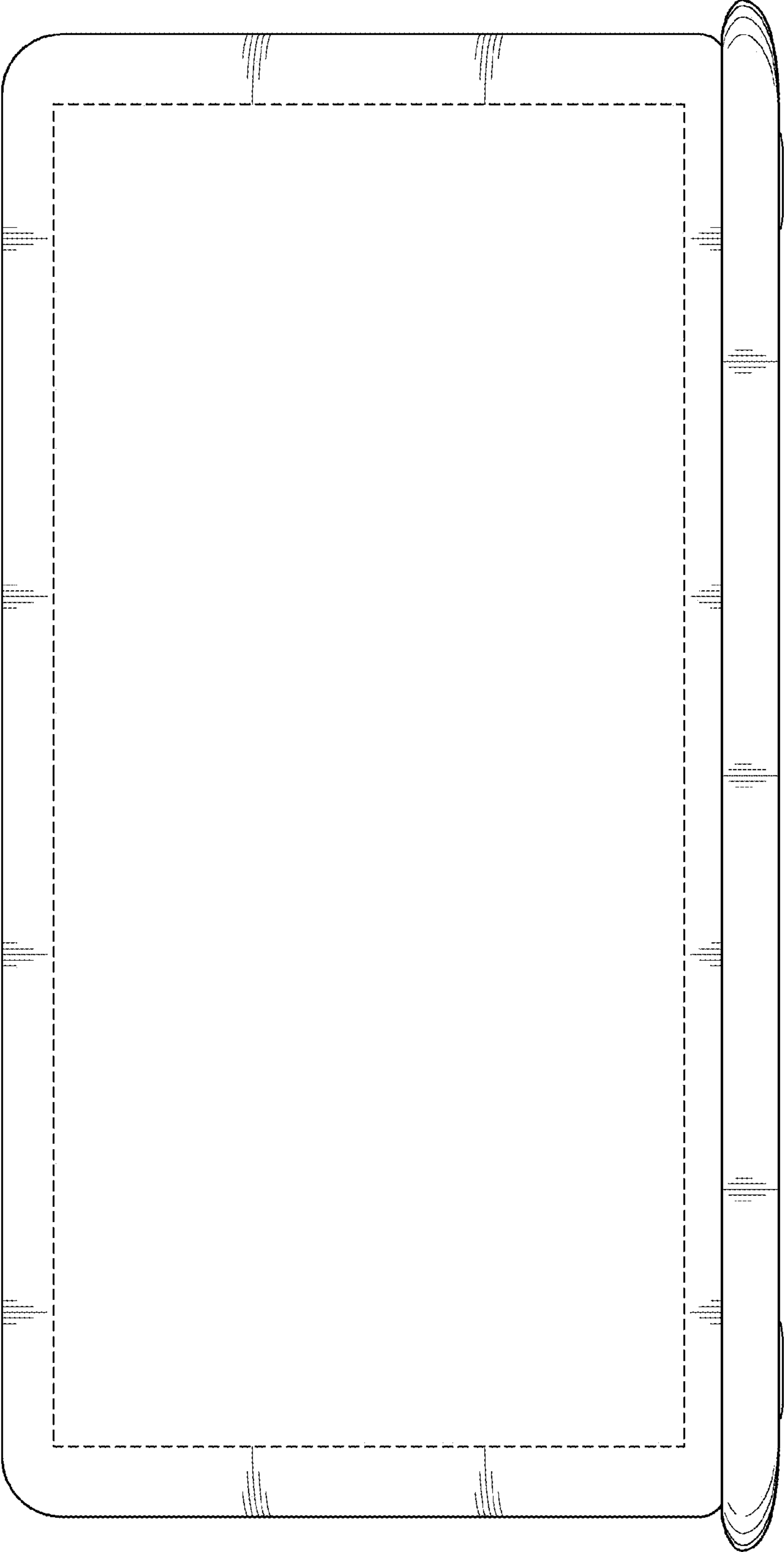


FIG.2

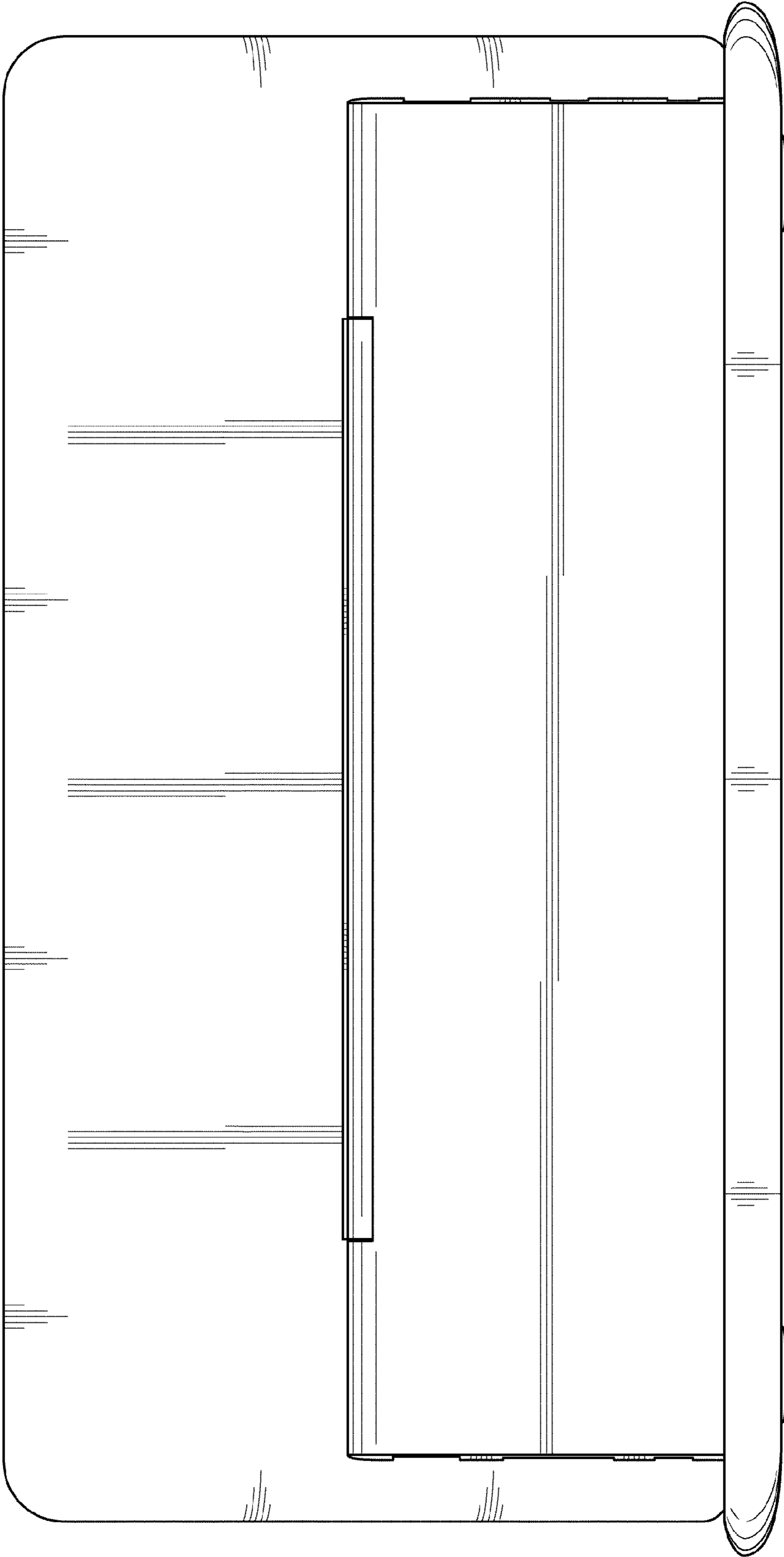


FIG.3

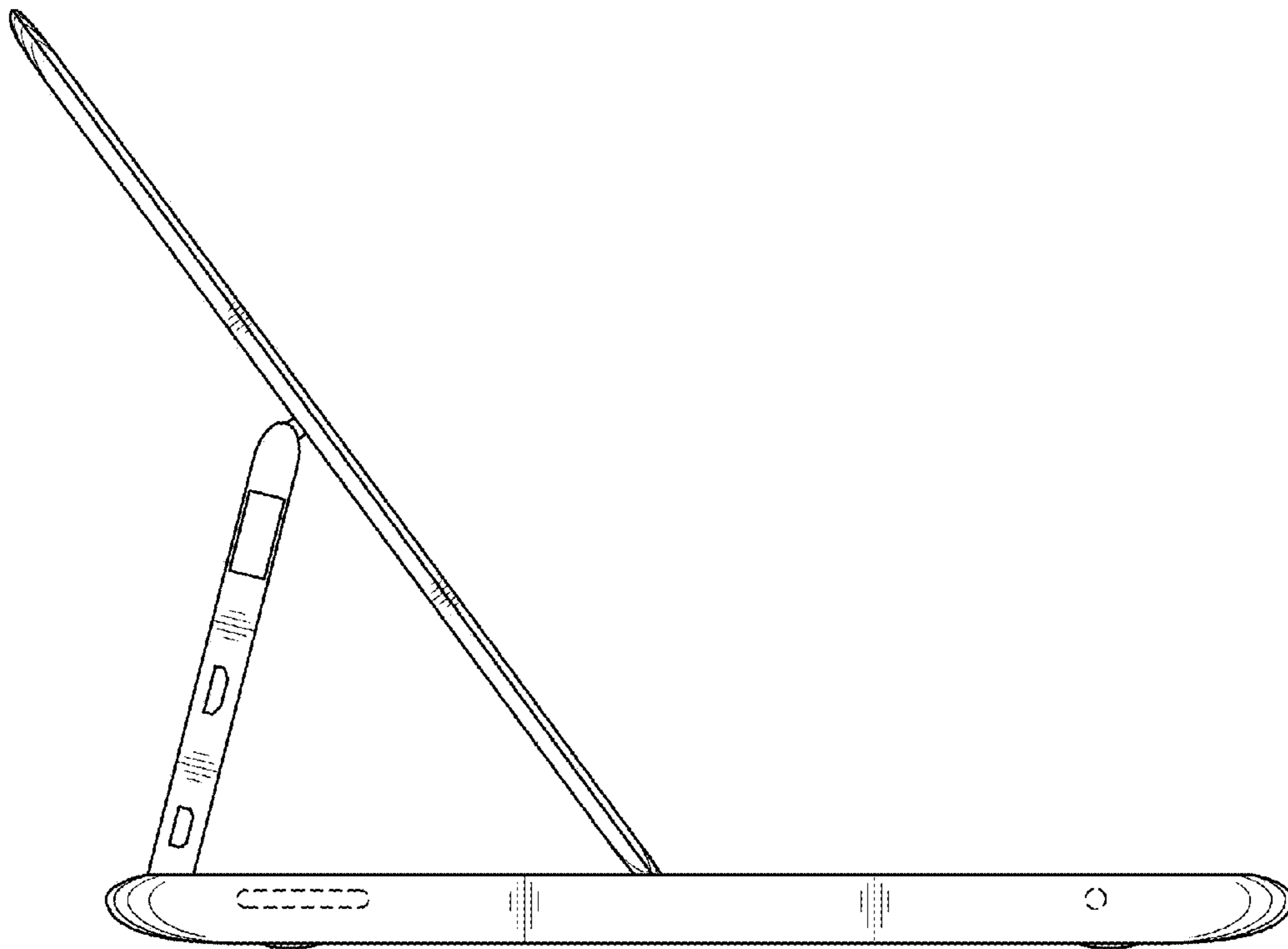


FIG. 4

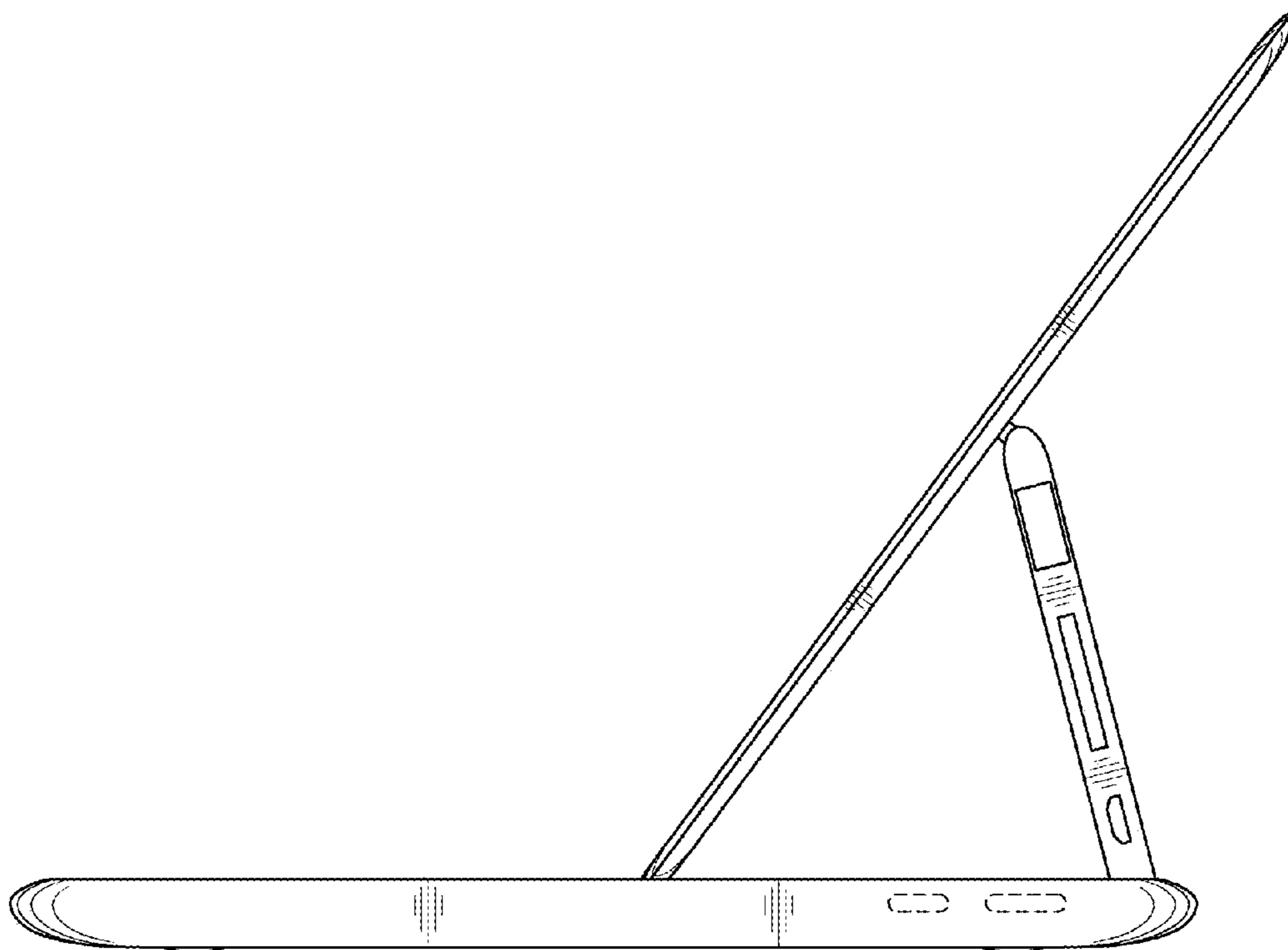


FIG. 5

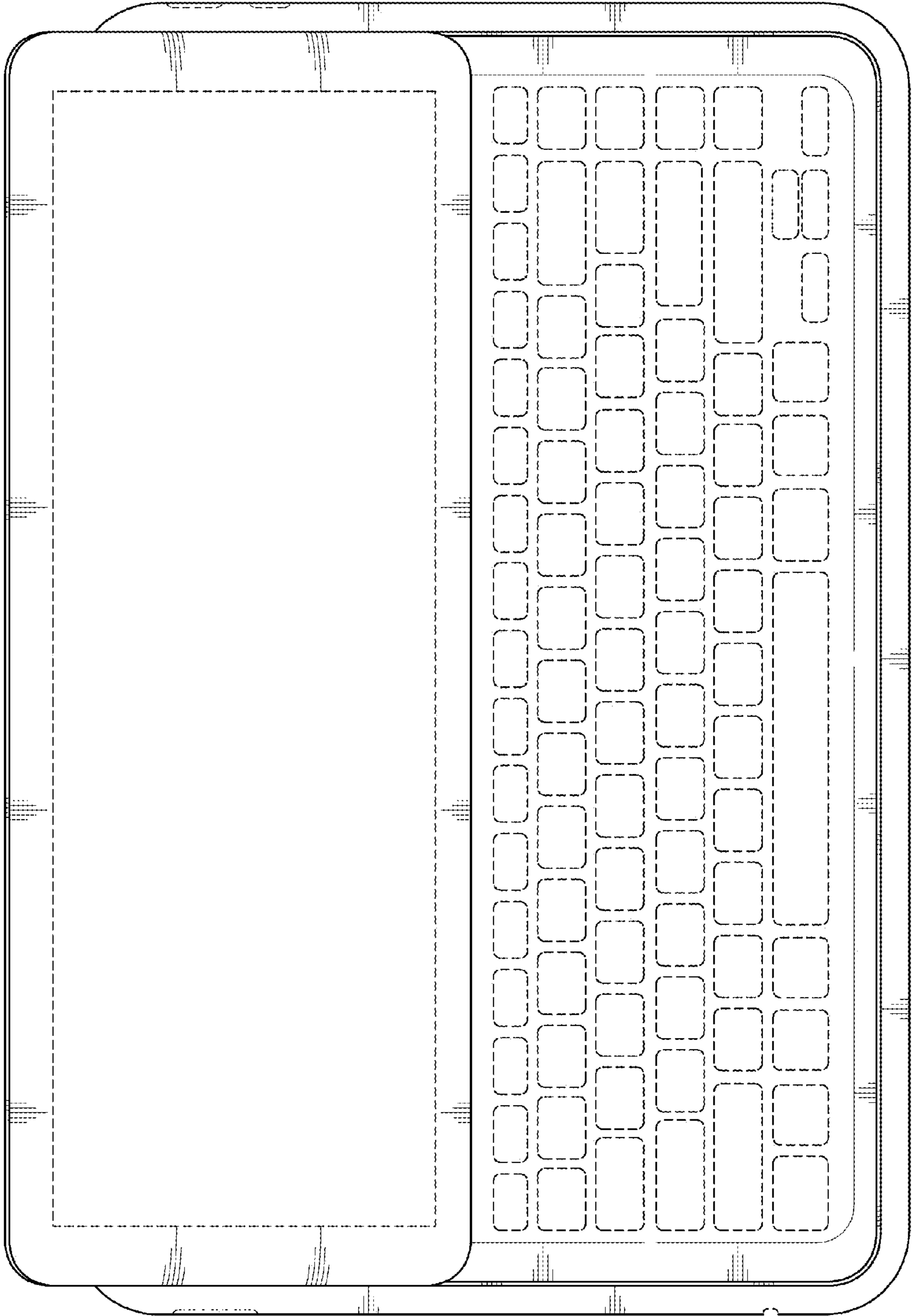


FIG.6

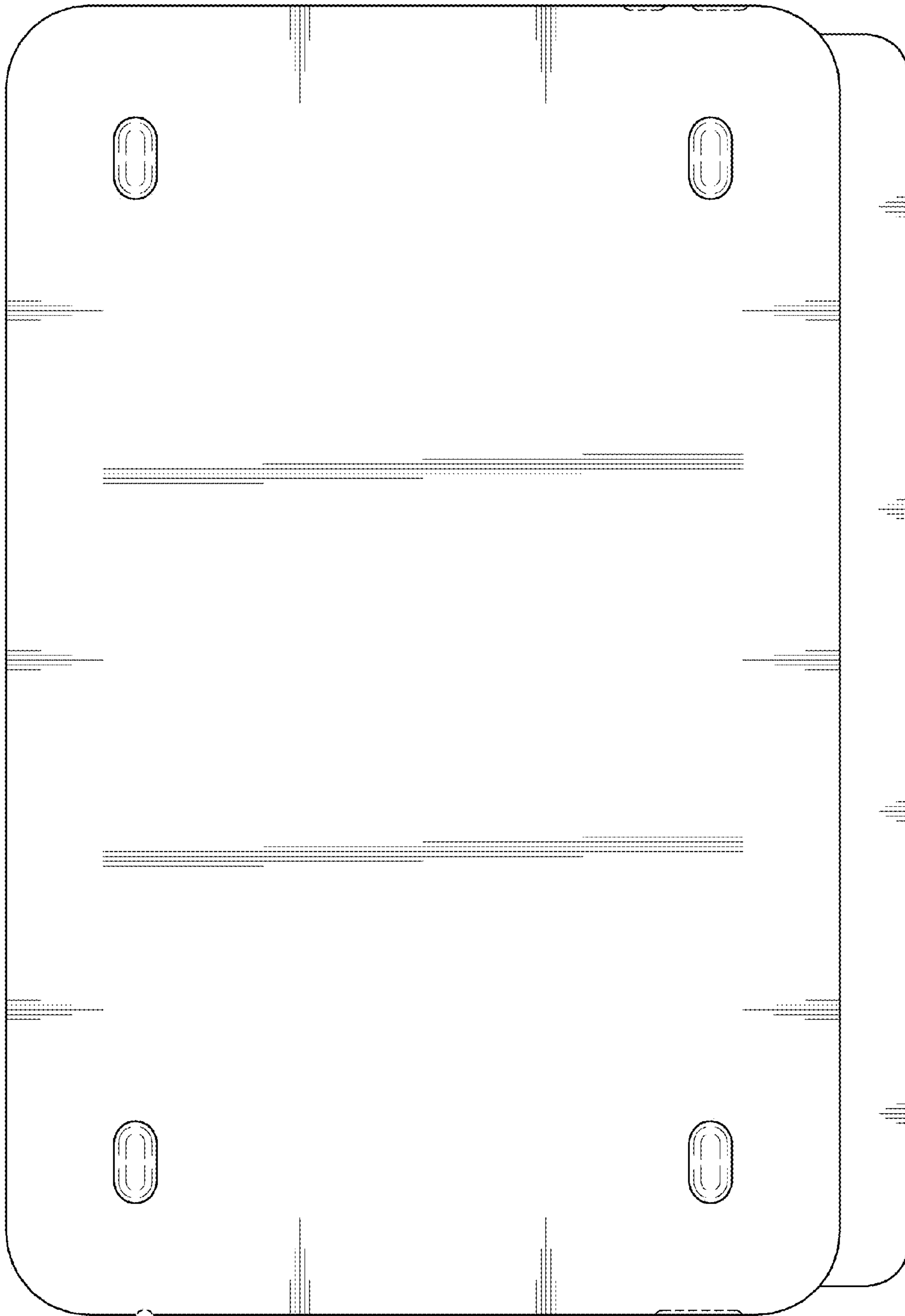


FIG.7

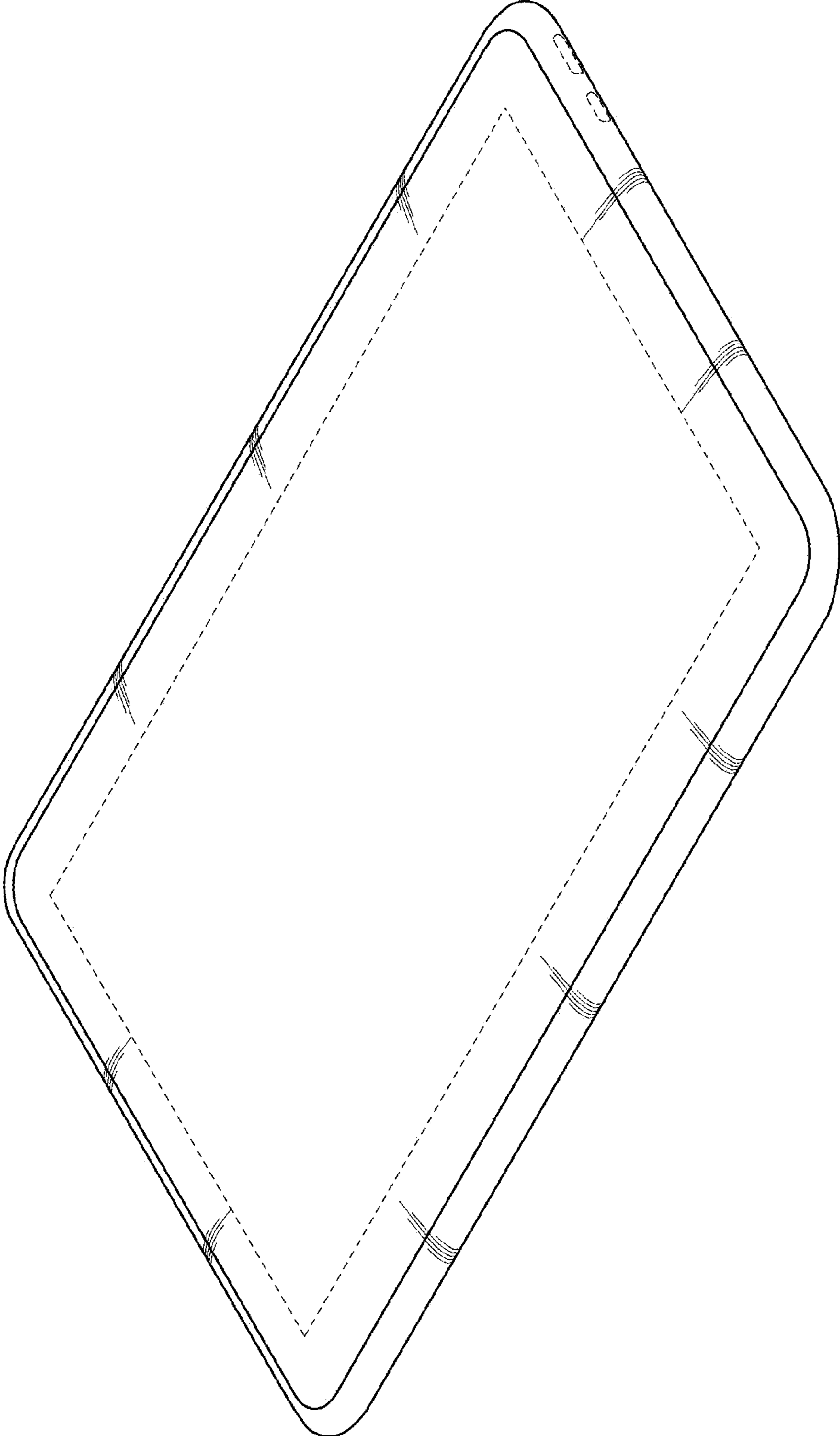


FIG.8