



US00D706760S

(12) **United States Design Patent**
Jung et al.

(10) **Patent No.:** **US D706,760 S**
(45) **Date of Patent:** **** Jun. 10, 2014**

(54) **NOTEBOOK COMPUTER**
(71) Applicants: **Seung-Ho Jung**, Seongnam-Si (KR);
Jung-Hwan Hong, Seoul (KR)
(72) Inventors: **Seung-Ho Jung**, Seongnam-Si (KR);
Jung-Hwan Hong, Seoul (KR)
(73) Assignee: **Samsung Electronics Co., Ltd.**,
Suwon-si (KR)

(**) Term: **14 Years**
(21) Appl. No.: **29/441,064**
(22) Filed: **Dec. 31, 2012**

(30) **Foreign Application Priority Data**
Jul. 6, 2012 (KR) 30-2012-0033098
(51) **LOC (10) Cl.** **14-02**
(52) **U.S. Cl.**
USPC **D14/315**
(58) **Field of Classification Search**
USPC D14/315-327; D18/1, 2, 7, 11;
235/145 A, 145 R; 341/22, 23; 345/104,
345/156, 168, 169, 173; 361/679.08,
361/679.09, 679.11, 679.26, 679.27
See application file for complete search history.

(56) **References Cited**
U.S. PATENT DOCUMENTS
6,775,129 B1 * 8/2004 Ghosh et al. 361/679.27
6,781,819 B2 * 8/2004 Yang et al. 361/679.09

6,785,128 B1 * 8/2004 Yun 361/679.27
D523,857 S * 6/2006 Nakamura et al. D14/433
D556,192 S * 11/2007 Jeong et al. D14/327
D596,633 S * 7/2009 Kawase et al. D14/319
7,916,889 B2 * 3/2011 Takakusaki 361/679.09
D649,546 S * 11/2011 Kim et al. D14/327
D651,597 S * 1/2012 Lee et al. D14/315

* cited by examiner

Primary Examiner — Freda S Nunn
(74) *Attorney, Agent, or Firm* — NSIP Law

(57) **CLAIM**
The ornamental design for a notebook computer, as shown and described.

DESCRIPTION

FIG. 1 is a top perspective view of a notebook computer; FIG. 2 is a front view of the notebook computer of FIG. 1; FIG. 3 is a rear view of the notebook computer of FIG. 1; FIG. 4 is a left-side view of the notebook computer of FIG. 1; FIG. 5 is a right-side view of the notebook computer of FIG. 1; FIG. 6 is a top plan view of the notebook computer of FIG. 1; and, FIG. 7 is a bottom plan view of the notebook computer of FIG. 1. The dash-dot-dot-dash broken lines immediately adjacent the solid-line portions of the design represent unclaimed boundary of the design. Features shown in broken lines in FIGS. 1, 2, 3, 4, 5, 6, and 7, form no part of the claimed design.

1 Claim, 5 Drawing Sheets

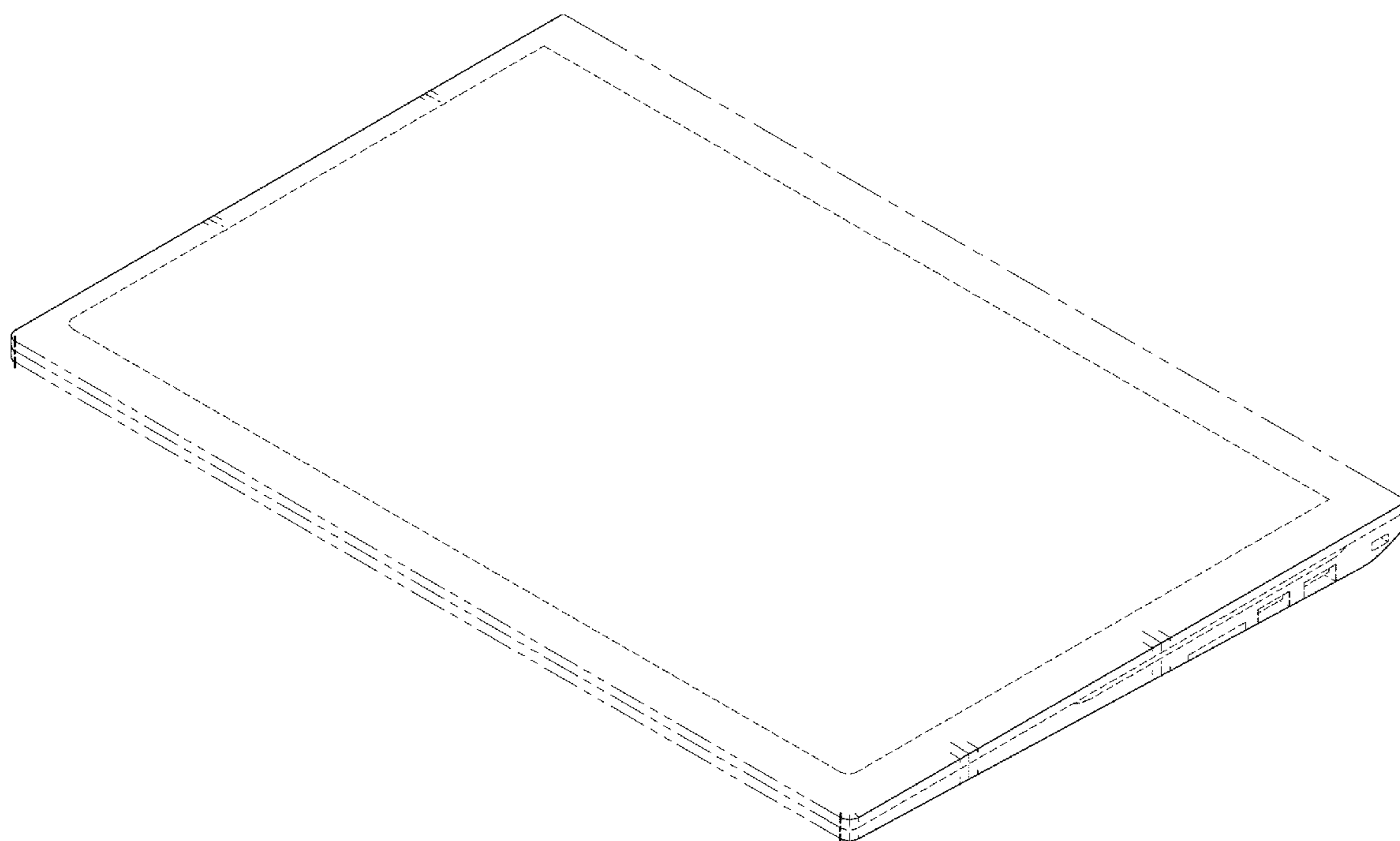


FIG. 1

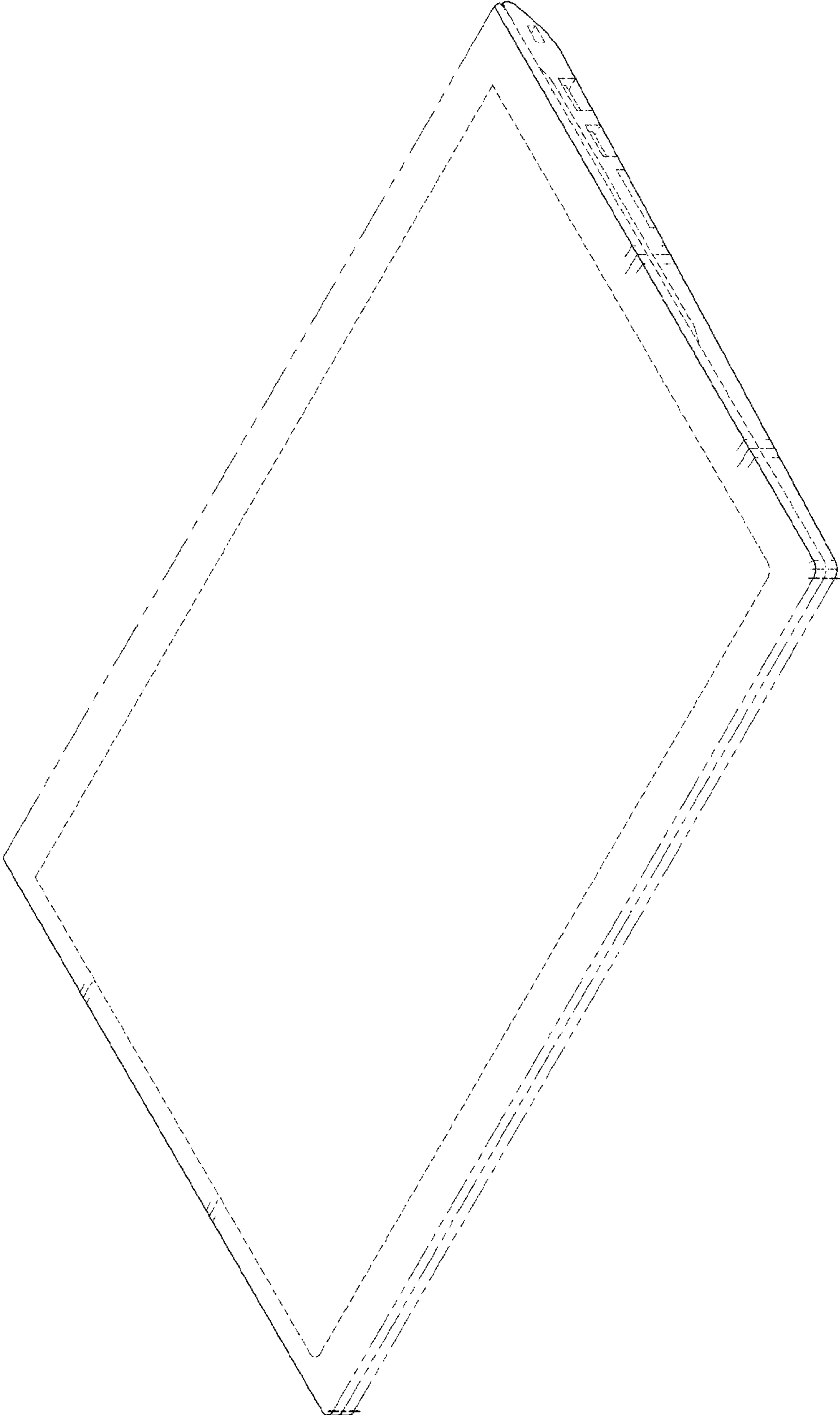


FIG. 2

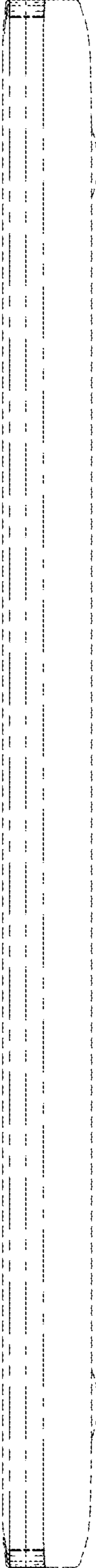


FIG. 3

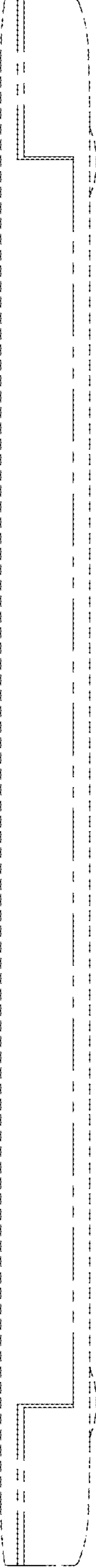


FIG. 4

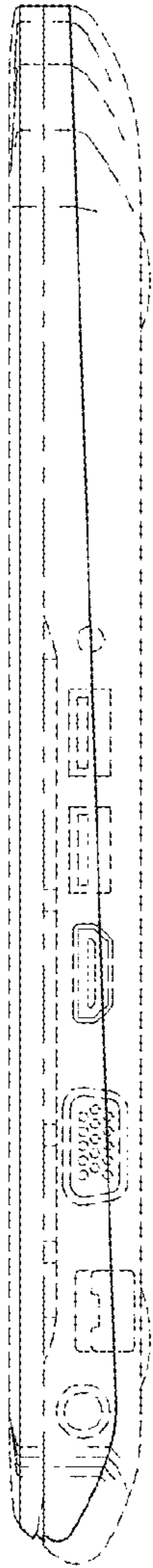


FIG. 5

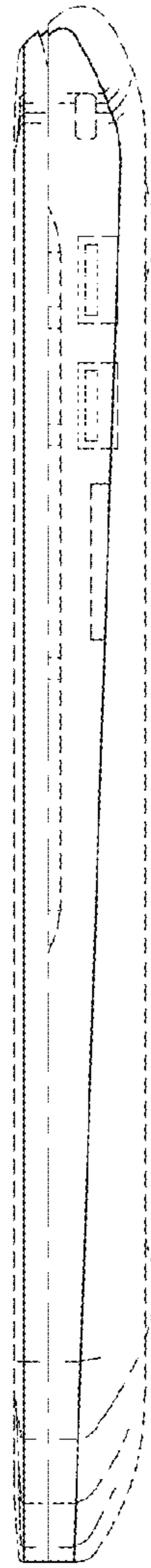


FIG. 6



FIG. 7

