



US00D706759S

(12) **United States Design Patent**
Myung et al.

(10) **Patent No.:** **US D706,759 S**
(45) **Date of Patent:** **** Jun. 10, 2014**

(54) **NOTEBOOK COMPUTER**

(71) Applicant: **Samsung Electronics Co., Ltd.**,
Suwon-si (KR)

(72) Inventors: **Ji-Eun Myung**, Seoul (KR);
Jung-Hwan Hong, Seoul (KR)

(73) Assignee: **Samsung Electronics Co., Ltd.**,
Suwon-si (KR)

(**) Term: **14 Years**

(21) Appl. No.: **29/440,875**

(22) Filed: **Dec. 28, 2012**

(30) **Foreign Application Priority Data**

Jul. 6, 2012 (KR) 30-2012-0033107

(51) **LOC (10) Cl.** **14-02**

(52) **U.S. Cl.**
USPC **D14/315**

(58) **Field of Classification Search**

USPC D14/315-327; D18/1, 2, 7, 11;
235/145 A, 145 R; 341/22, 23; 345/104,
345/156, 168, 169, 173; 361/679.08,
361/679.09, 679.11, 679.26, 679.27;
16/367

See application file for complete search history.

(56) **References Cited**

U.S. PATENT DOCUMENTS

D421,972	S	*	3/2000	Makidera et al.	D14/316
D556,192	S	*	11/2007	Jeong et al.	D14/327
D596,633	S	*	7/2009	Kawase et al.	D14/319
D631,472	S	*	1/2011	Kawase et al.	D14/327
D631,879	S	*	2/2011	Kawase	D14/327
7,894,184	B2	*	2/2011	Huang et al.	361/679.48
2005/0041378	A1	*	2/2005	Hamada et al.	361/680
2006/0227498	A1	*	10/2006	Tanaka et al.	361/681

* cited by examiner

Primary Examiner — Freda S Nunn

(74) *Attorney, Agent, or Firm* — NSIP Law

(57) **CLAIM**

The ornamental design for a notebook computer, as shown and described.

DESCRIPTION

FIG. 1 is a top perspective view of a notebook computer; FIG. 2 is a front view of the notebook computer of FIG. 1; FIG. 3 is a rear view of the notebook computer of FIG. 1; FIG. 4 is a left-side view of the notebook computer of FIG. 1; FIG. 5 is a right-side view of the notebook computer of FIG. 1; FIG. 6 is a top plan view of the notebook computer of FIG. 1; FIG. 7 is a bottom plan view of the notebook computer of FIG. 1; and, FIG. 8 is a partial view of FIG. 1 that is included to more clearly depict the design feature on the top of the bottom portion of the notebook computer, as viewed from the top perspective view (a-a', b-b', c-c', d-d') of FIG. 1. Features shown in broken lines in FIGS. 1, 2, 3, 4, 5, 6, 7, and 8, form no part of the claimed design.

1 Claim, 8 Drawing Sheets

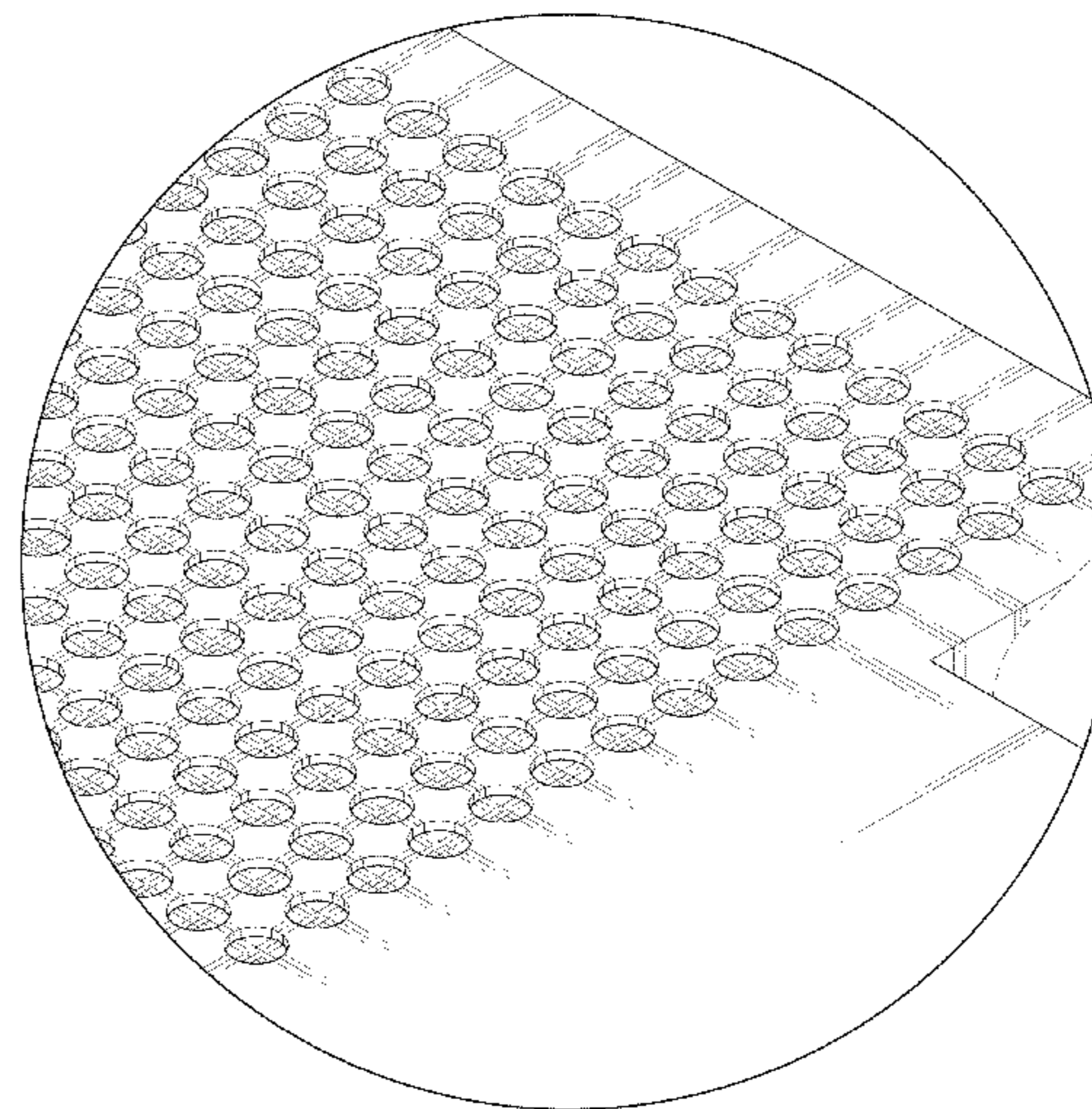
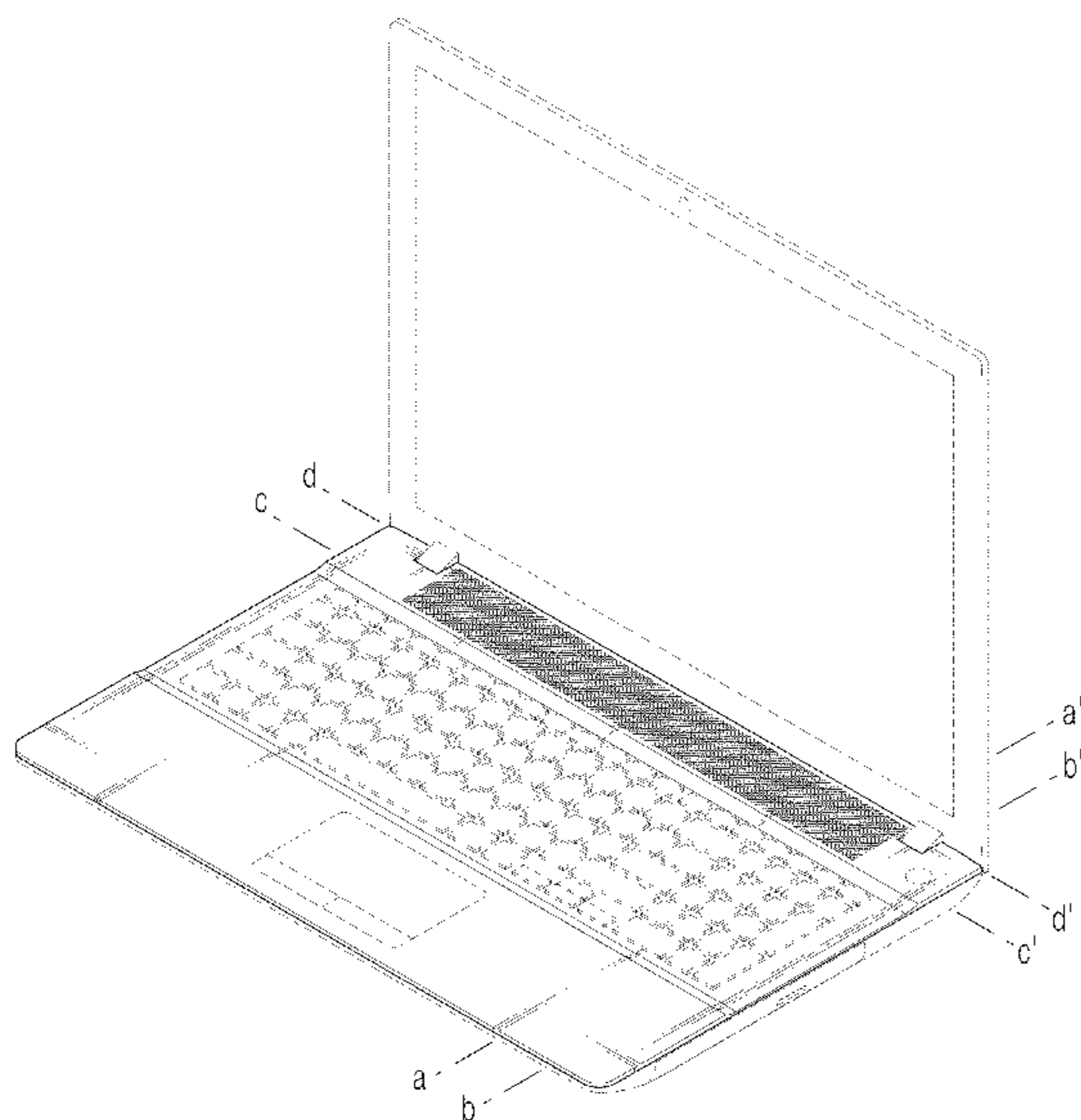


FIG. 1

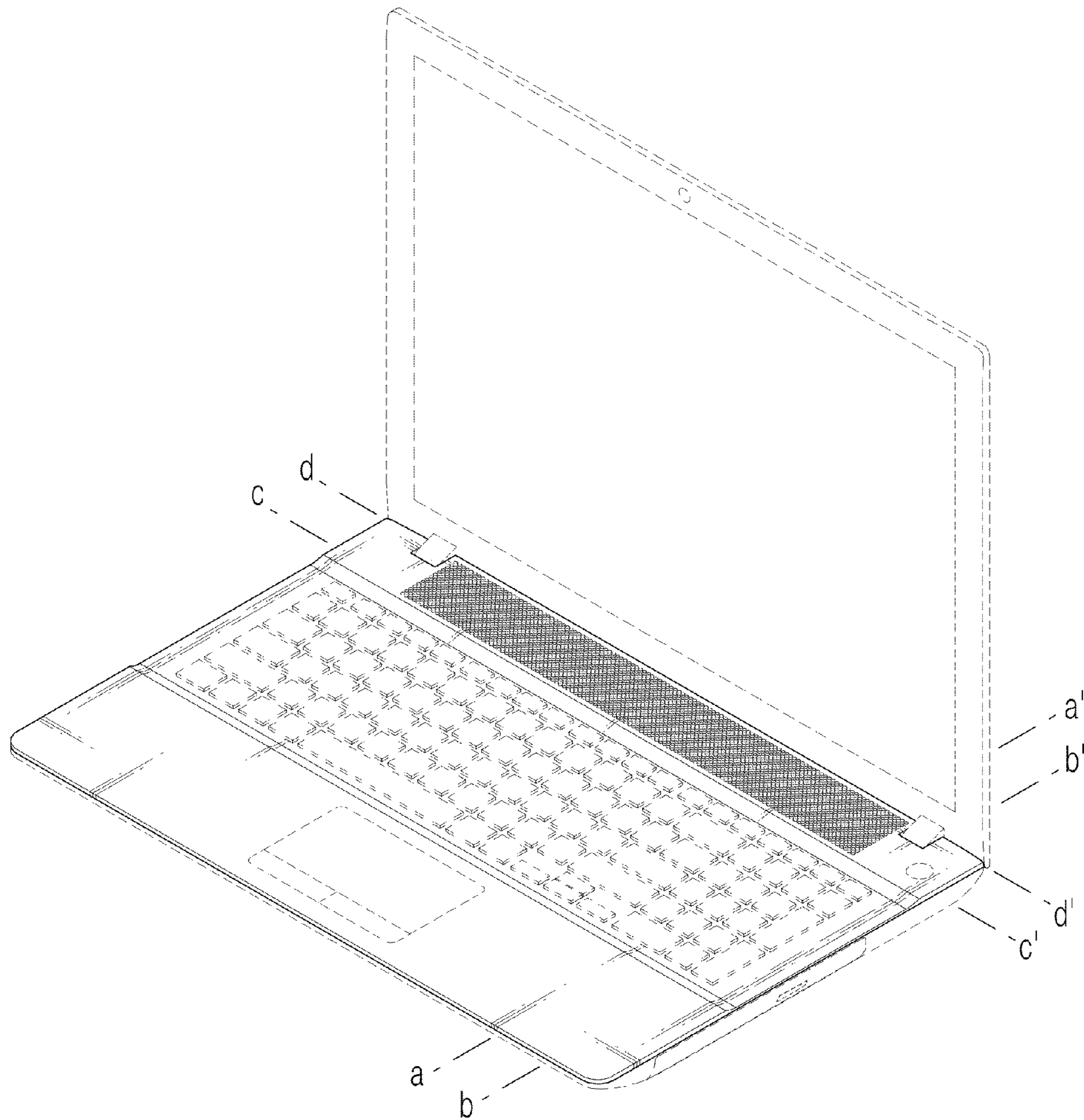


FIG.2

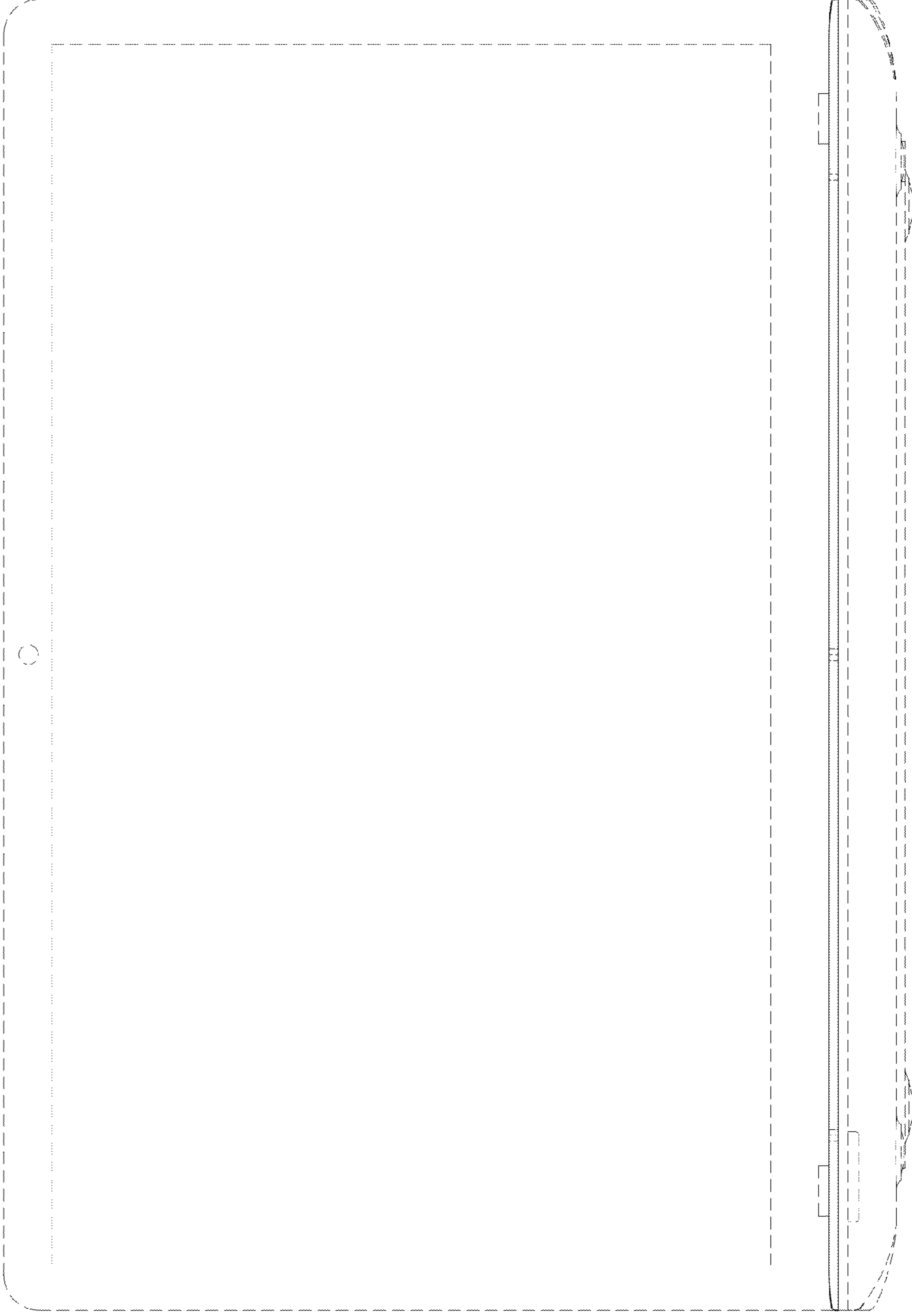


FIG.3

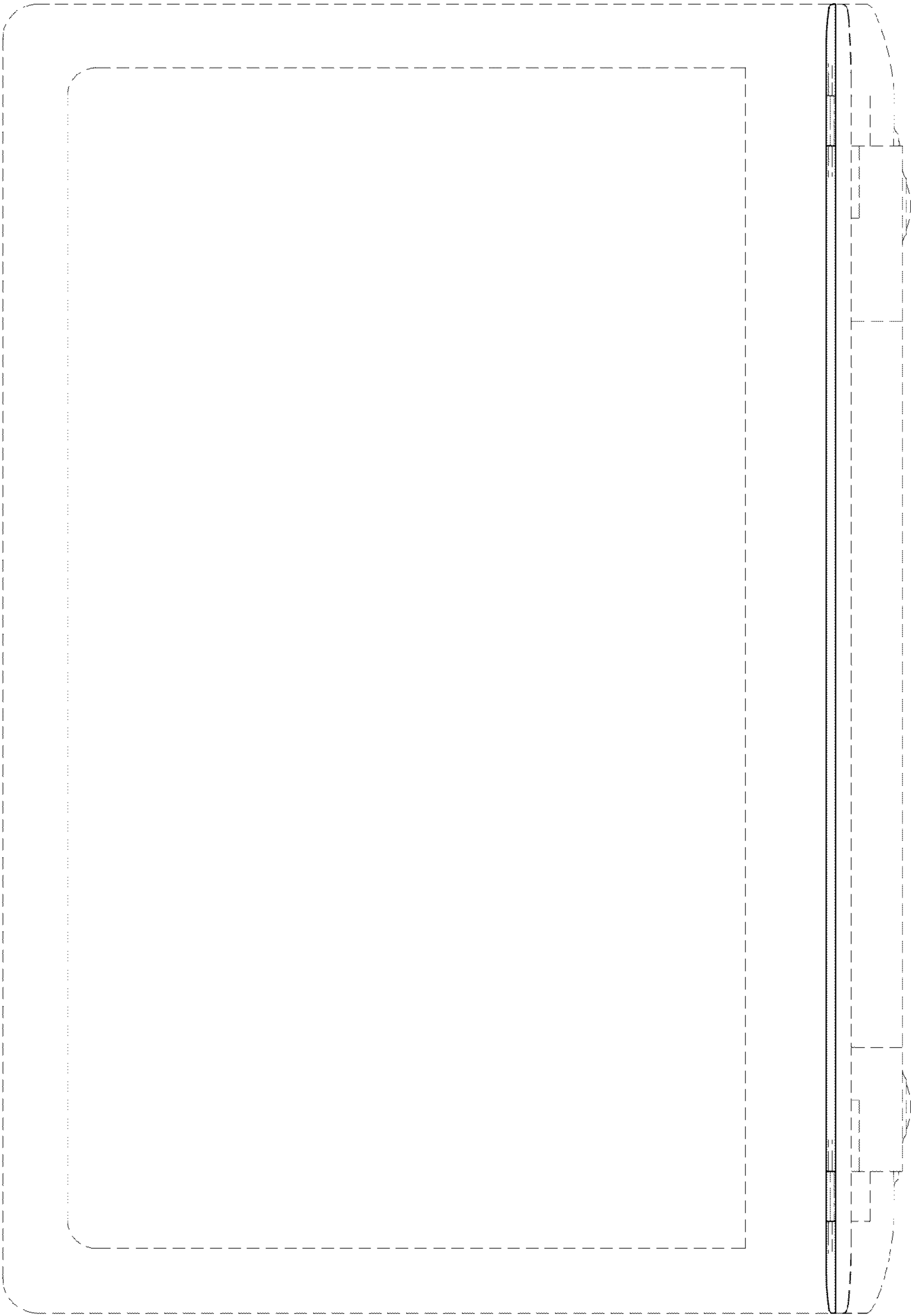


FIG. 4

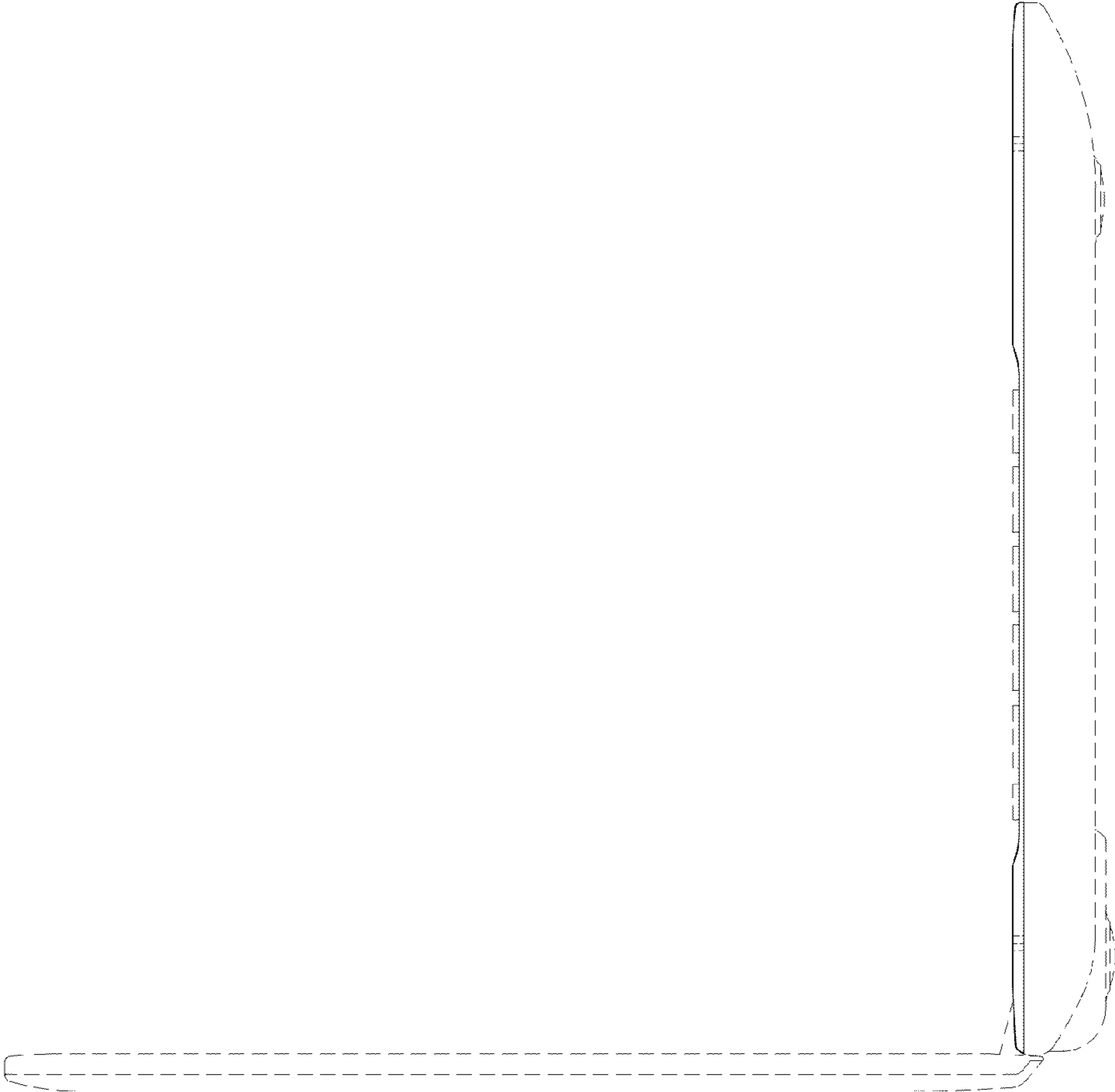


FIG. 5

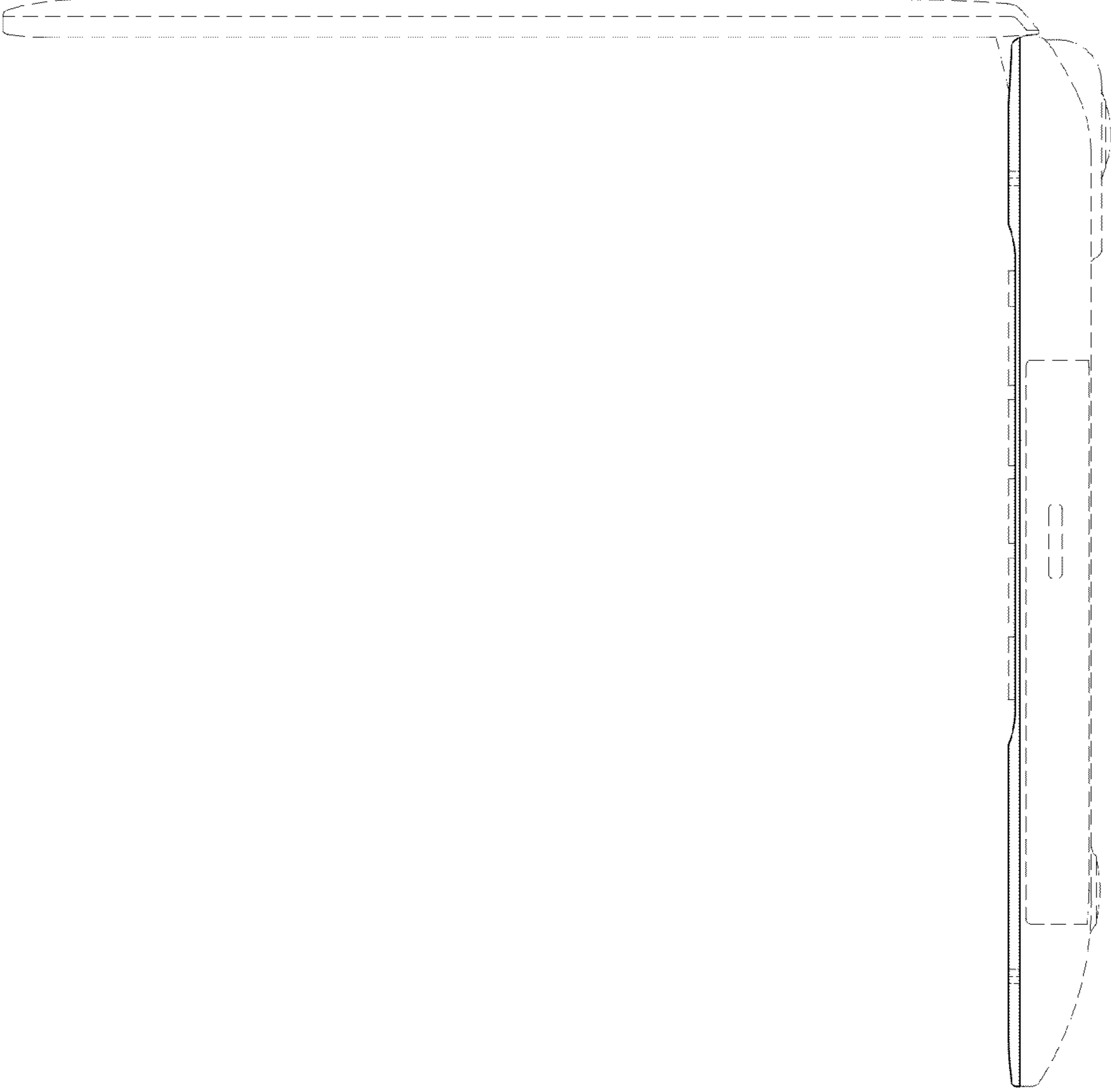


FIG. 6

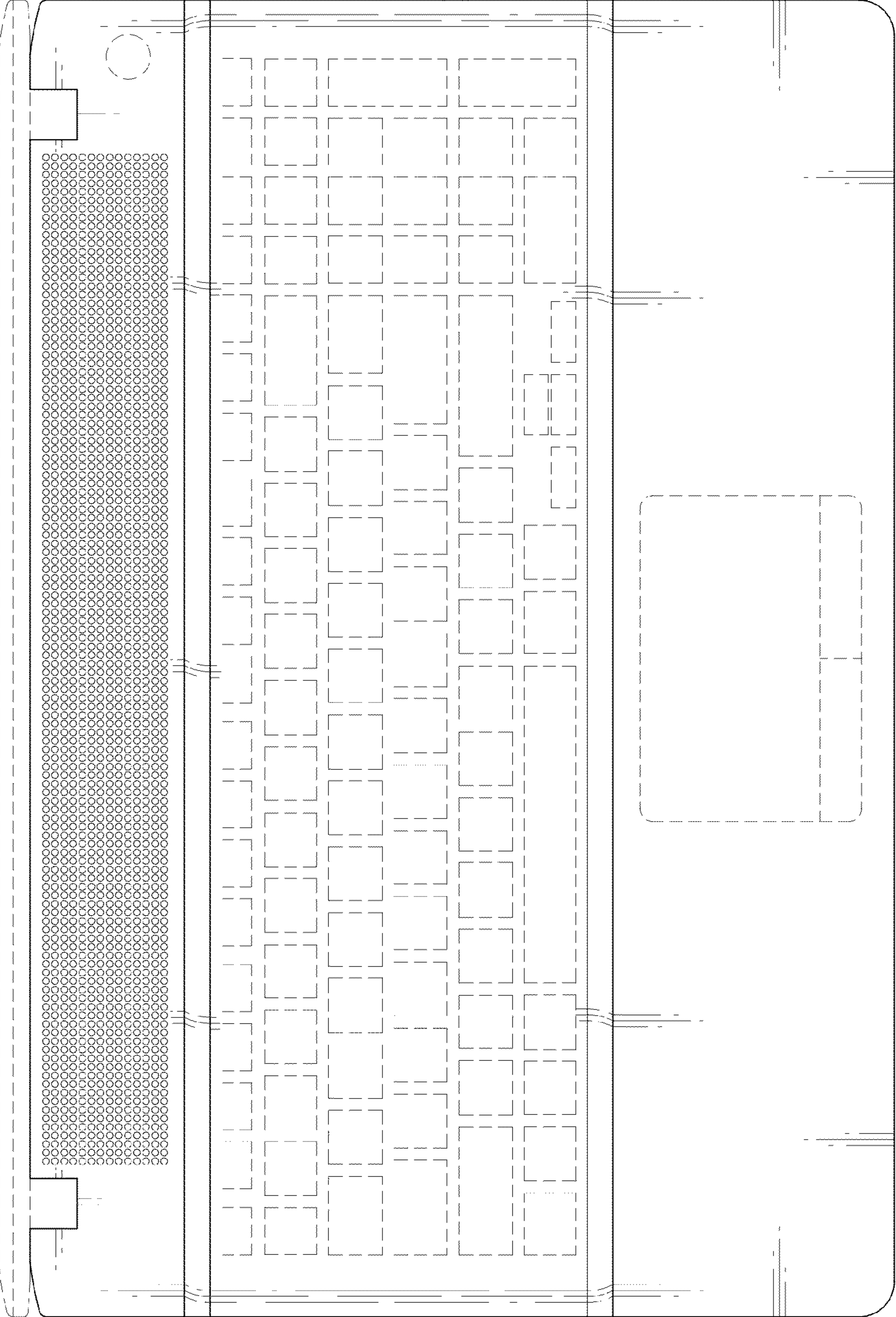


FIG. 7

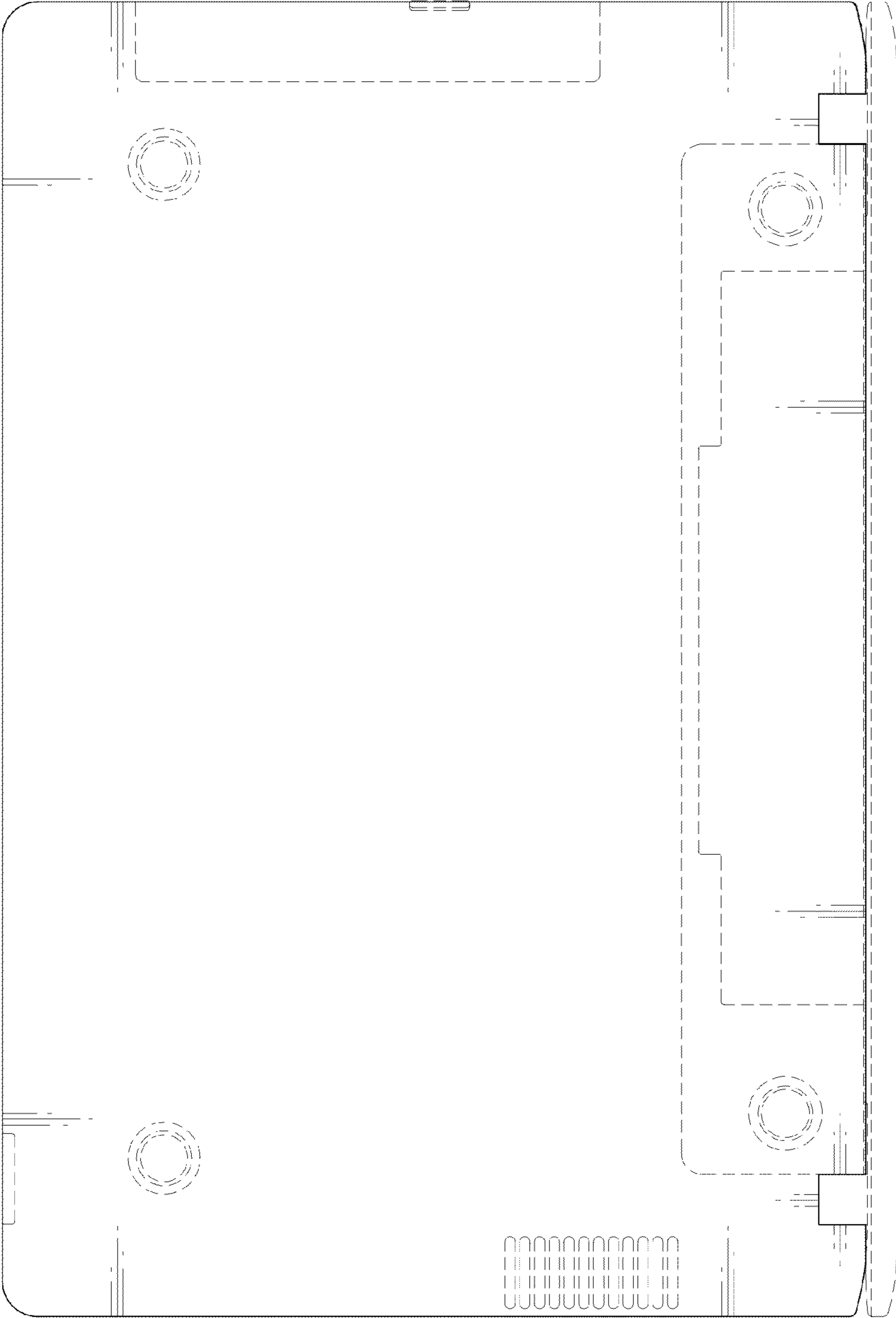


FIG. 8

