



US00D706757S

(12) **United States Design Patent**  
**Lee et al.**

(10) **Patent No.:** **US D706,757 S**  
(45) **Date of Patent:** **\*\* Jun. 10, 2014**

(54) **NOTEBOOK COMPUTER**  
(71) Applicants: **Sang-Eun Lee**, Seoul (KR); **Min-Ji Kim**, Seoul (KR)

6,785,128 B1 \* 8/2004 Yun ..... 361/679.27  
D523,857 S \* 6/2006 Nakamura et al. .... D14/433  
7,916,889 B2 \* 3/2011 Takakusaki ..... 361/679.09  
D649,546 S \* 11/2011 Kim et al. .... D14/327  
D651,597 S \* 1/2012 Lee et al. .... D14/315

(72) Inventors: **Sang-Eun Lee**, Seoul (KR); **Min-Ji Kim**, Seoul (KR)

\* cited by examiner

(73) Assignee: **Samsung Electronics Co., Ltd.**, Suwon-si (KR)

*Primary Examiner* — Freda S Nunn  
(74) *Attorney, Agent, or Firm* — NSIP Law

(\*\*) Term: **14 Years**

(57) **CLAIM**  
The ornamental design for a notebook computer, as shown and described.

(21) Appl. No.: **29/440,862**

(22) Filed: **Dec. 28, 2012**

**DESCRIPTION**

(30) **Foreign Application Priority Data**

Jul. 6, 2012 (KR) ..... 30-2012-0033087

(51) **LOC (10) Cl.** ..... **14-02**

(52) **U.S. Cl.**  
USPC ..... **D14/315**

(58) **Field of Classification Search**  
USPC ..... D14/315-327; D18/1, 2, 7, 11;  
235/145 A, 145 R; 341/22, 23; 345/104,  
345/156, 168, 169, 173; 361/679.08,  
361/679.09, 679.11, 679.26, 679.27  
See application file for complete search history.

FIG. 1 is a top perspective view of a notebook computer;  
FIG. 2 is a front view of the notebook computer of FIG. 1;  
FIG. 3 is a rear view of the notebook computer of FIG. 1;  
FIG. 4 is a left-side view of the notebook computer of FIG. 1;  
FIG. 5 is a right-side view of the notebook computer of FIG. 1;  
FIG. 6 is a top plan view of the notebook computer of FIG. 1;  
FIG. 7 is a bottom plan view of the notebook computer of FIG. 1;  
FIG. 8 is an open perspective view of the notebook computer of FIG. 1; and,  
FIG. 9 is a partial enlarged view of FIG. 8 that is included to more clearly depict the design feature on the top of the bottom portion of the notebook computer, as viewed from the open perspective view (a-a', b-b', c-c', d-d') of FIG. 8.  
Features shown in broken lines in FIGS. 1, 2, 3, 4, 5, 7, 8, and 9, form no part of the claimed design.

(56) **References Cited**

**U.S. PATENT DOCUMENTS**

6,775,129 B1 \* 8/2004 Ghosh et al. .... 361/679.27  
6,781,819 B2 \* 8/2004 Yang et al. .... 361/679.09

**1 Claim, 7 Drawing Sheets**

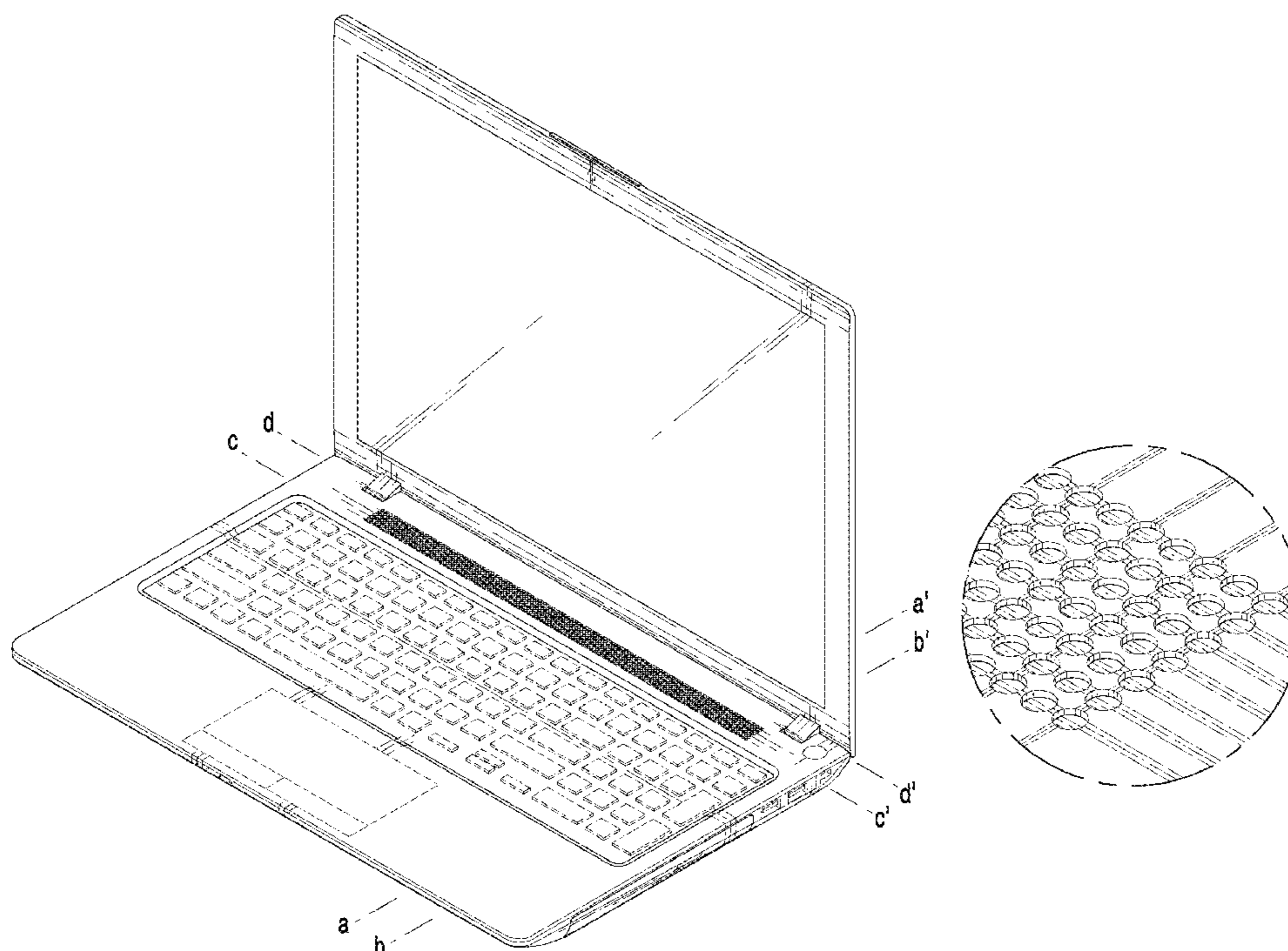


FIG. 1

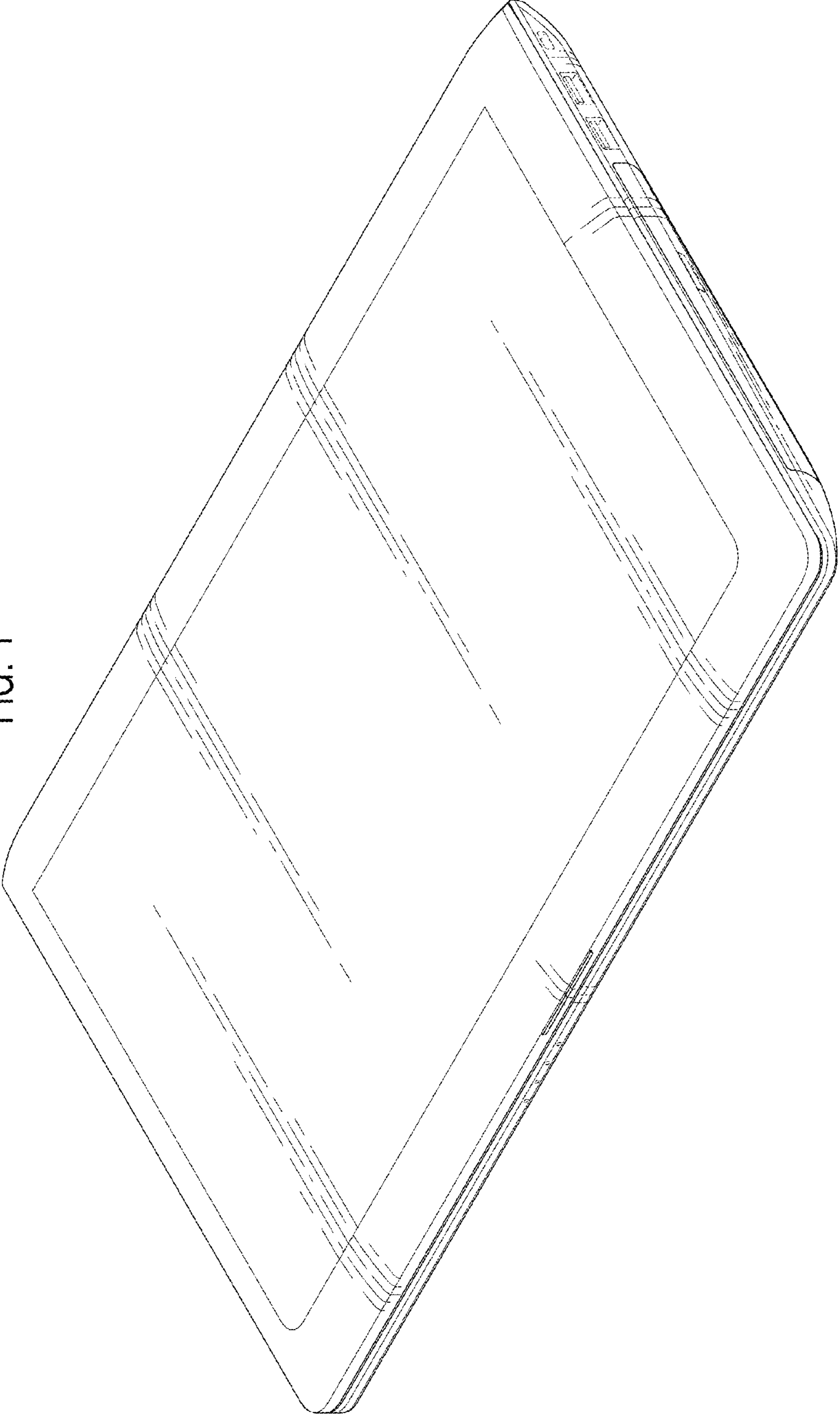


FIG. 2

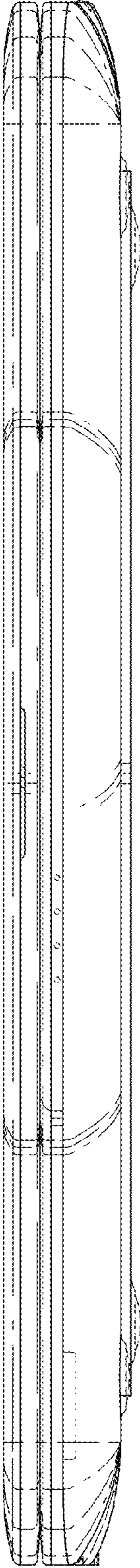


FIG. 3

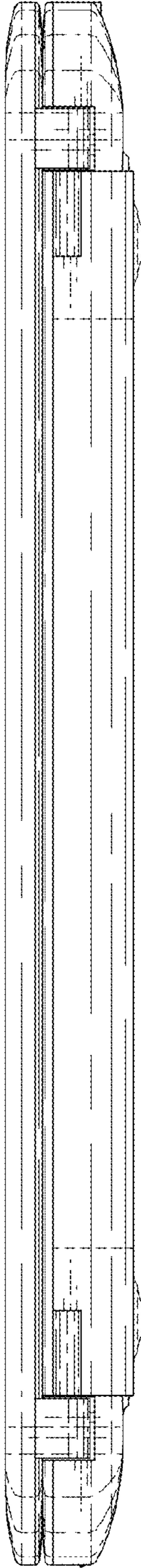




FIG. 4

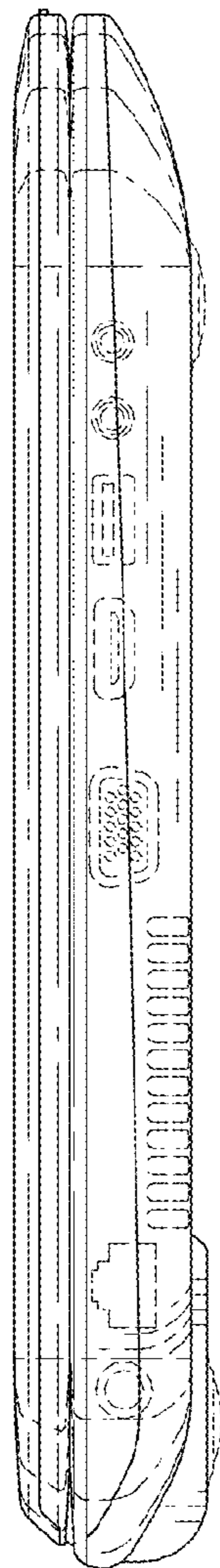


FIG. 5

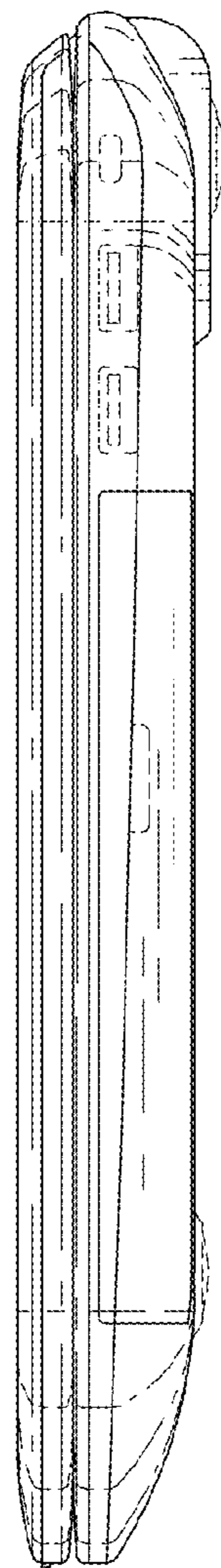


FIG. 6

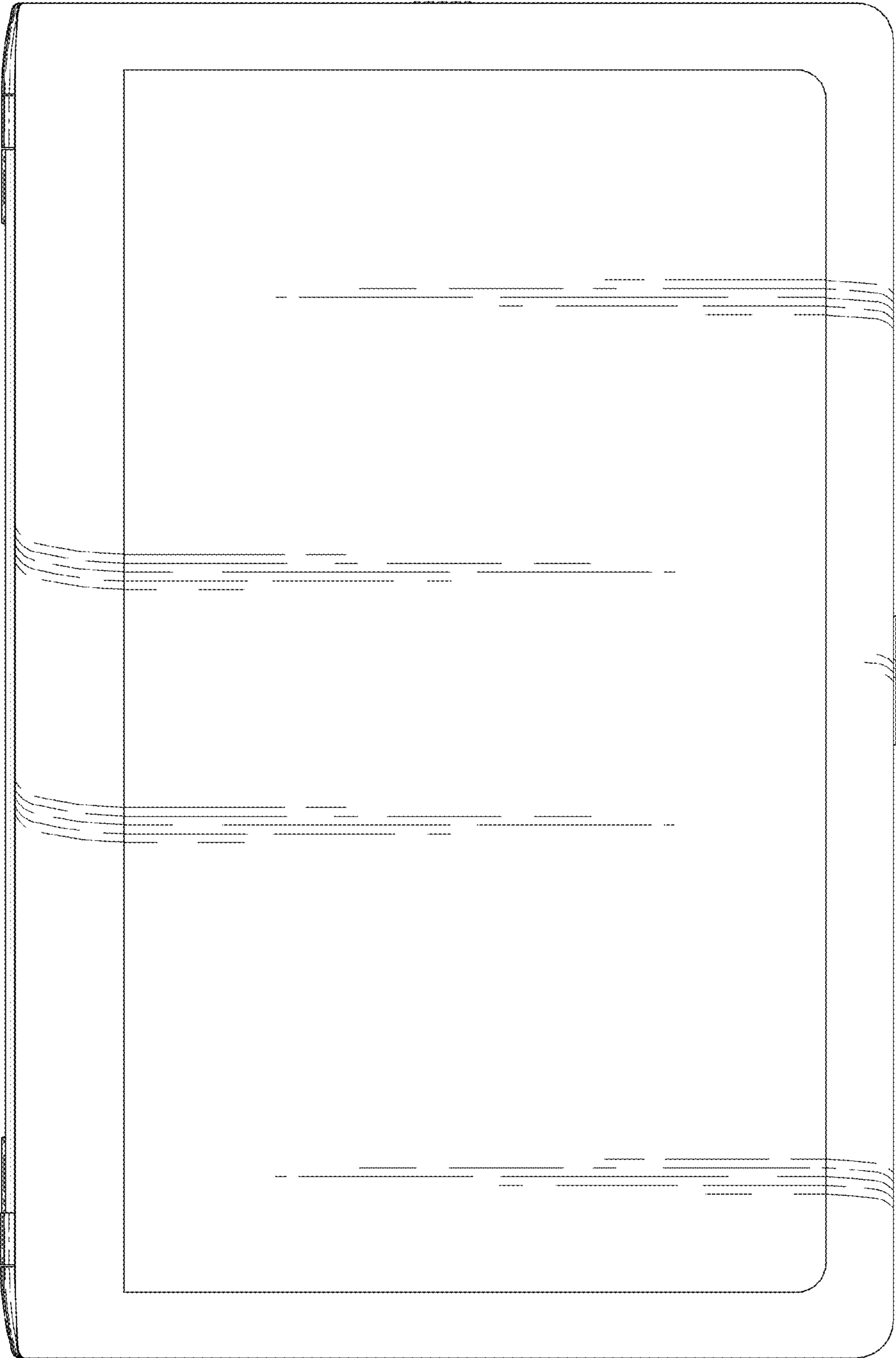


FIG. 7

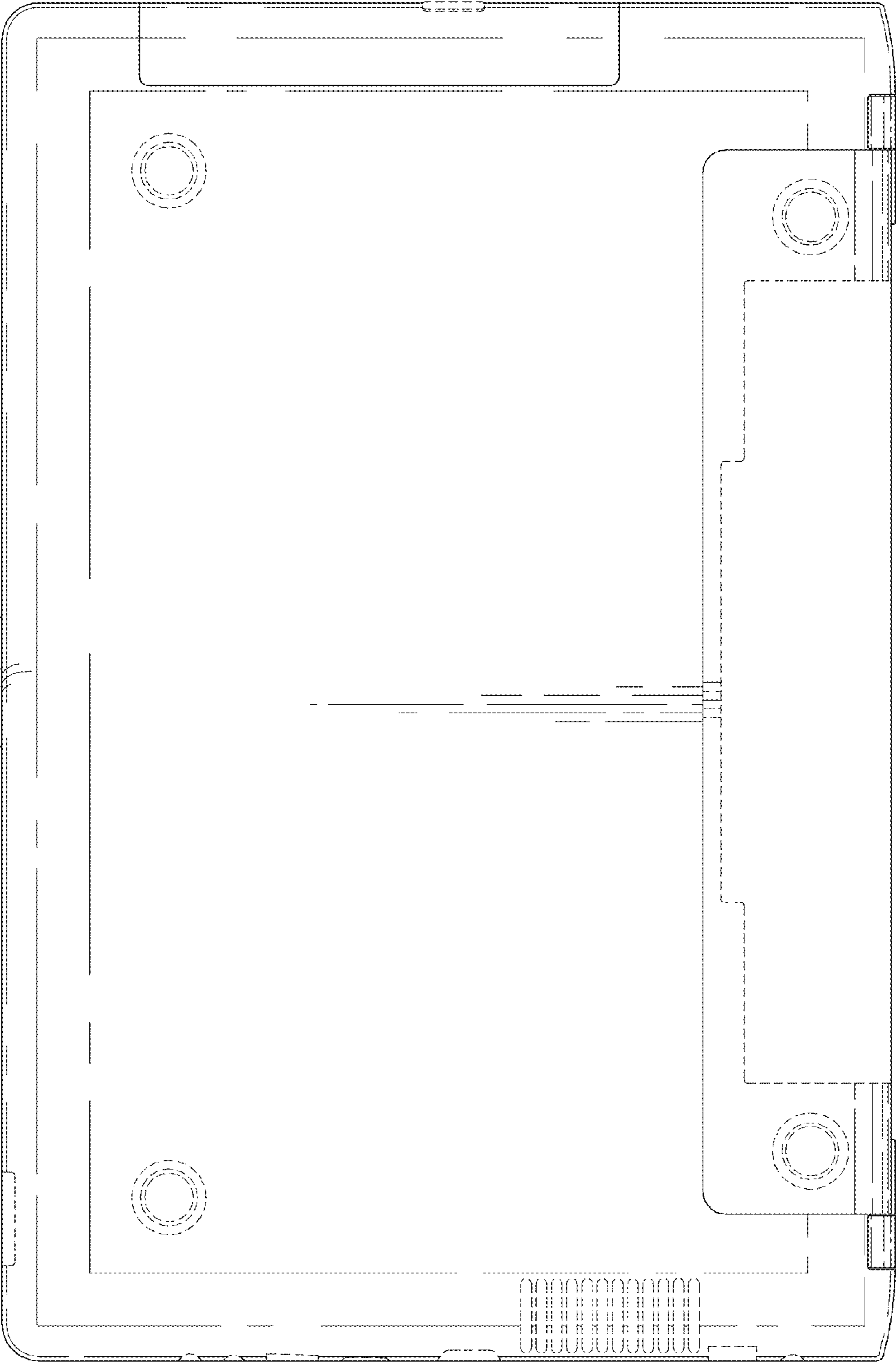


FIG. 8

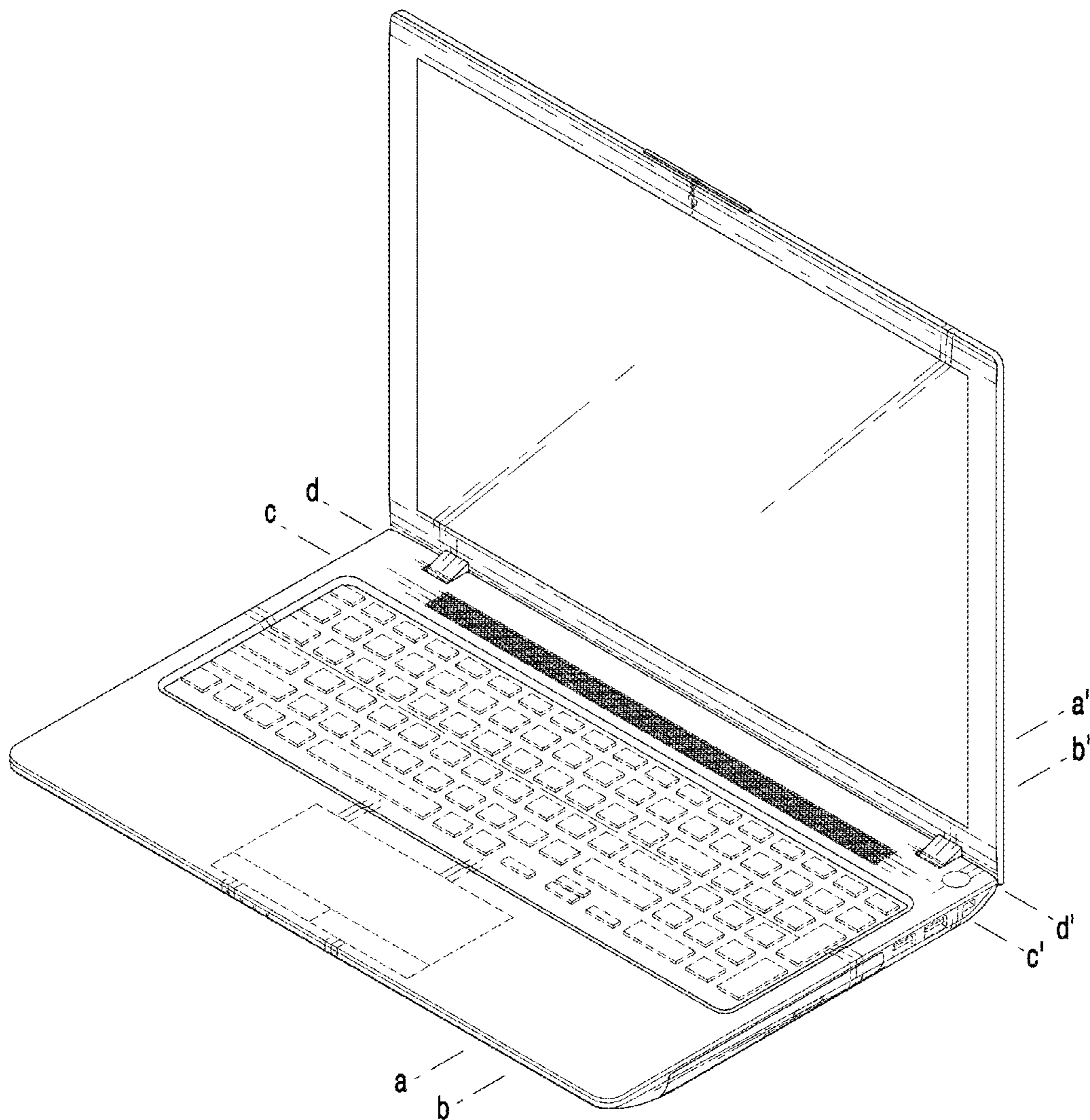


FIG. 9

