



US00D706756S

(12) **United States Design Patent**
Myung et al.

(10) **Patent No.:** **US D706,756 S**
(45) **Date of Patent:** **** Jun. 10, 2014**

(54) **NOTEBOOK COMPUTER**

(71) Applicants: **Ji-Eun Myung**, Seoul (KR);
Jung-Hwan Hong, Seoul (KR)

(72) Inventors: **Ji-Eun Myung**, Seoul (KR);
Jung-Hwan Hong, Seoul (KR)

(73) Assignee: **Samsung Electronics Co., Ltd.**,
Suwon-si (KR)

(**) Term: **14 Years**

(21) Appl. No.: **29/440,856**

(22) Filed: **Dec. 28, 2012**

(30) **Foreign Application Priority Data**

Jul. 6, 2012 (KR) 30-2012-0033108

(51) **LOC (10) Cl.** **14-02**

(52) **U.S. Cl.**
USPC **D14/315**

(58) **Field of Classification Search**
USPC D14/315-327; D18/1, 2, 7, 11;
235/145 A, 145 R; 341/22, 23; 345/104,
345/156, 168, 169, 173; 361/679.08,
361/679.09, 679.11, 679.26, 679.27;
16/367

See application file for complete search history.

(56) **References Cited**

U.S. PATENT DOCUMENTS

D421,972 S *	3/2000	Makidera et al.	D14/316
D556,192 S *	11/2007	Jeong et al.	D14/327
D577,013 S *	9/2008	Harris et al.	D14/317
D596,633 S *	7/2009	Kawase et al.	D14/319
D631,472 S *	1/2011	Kawase et al.	D14/327
D631,879 S *	2/2011	Kawase	D14/327
7,894,184 B2 *	2/2011	Huang et al.	361/679.48

D640,686 S *	6/2011	Daniel	D14/327
2004/0096053 A1 *	5/2004	Francke et al.	379/428.04
2005/0041378 A1 *	2/2005	Hamada et al.	361/680
2006/0227498 A1 *	10/2006	Tanaka et al.	361/681

* cited by examiner

Primary Examiner — Freda S Nunn

(74) *Attorney, Agent, or Firm* — NSIP Law

(57) **CLAIM**

The ornamental design for a notebook computer, as shown and described.

DESCRIPTION

FIG. 1 is a top perspective view of a notebook computer; FIG. 2 is a front view of the notebook computer of FIG. 1; FIG. 3 is a rear view of the notebook computer of FIG. 1; FIG. 4 is a left-side view of the notebook computer of FIG. 1; FIG. 5 is a right-side view of the notebook computer of FIG. 1; FIG. 6 is a top plan view of the notebook computer of FIG. 1; FIG. 7 is a bottom plan view of the notebook computer of FIG. 1; FIG. 8 is a top perspective view of the notebook computer without an example environment; and, FIG. 9 is a partial enlarged view of FIG. 1 that is included to more clearly depict the design feature on the top of the bottom portion of the notebook computer, as viewed from the top perspective view (a-a', b-b', c-c', d-d') of FIG. 1. Features shown in broken lines in FIGS. 1, 2, 3, 4, 5, 6, 7, and 9, form no part of the claimed design. The broken lines shown immediately surrounding the straight-line surface shading on the rear portion of the computer in FIG. 7 represent the bounds of the claimed design, while all other lines are directed to environment and form no part of the claimed design.

1 Claim, 9 Drawing Sheets

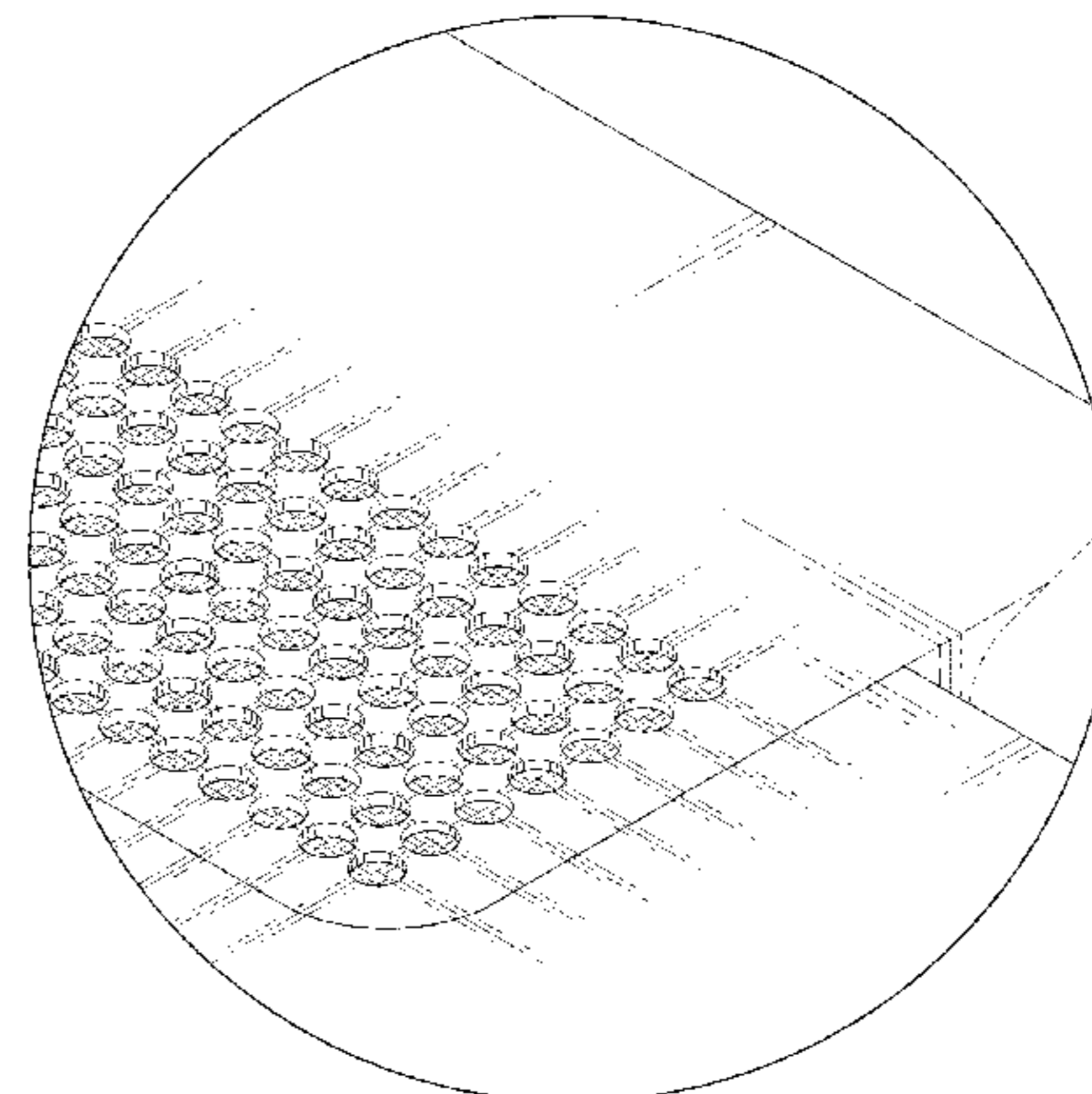
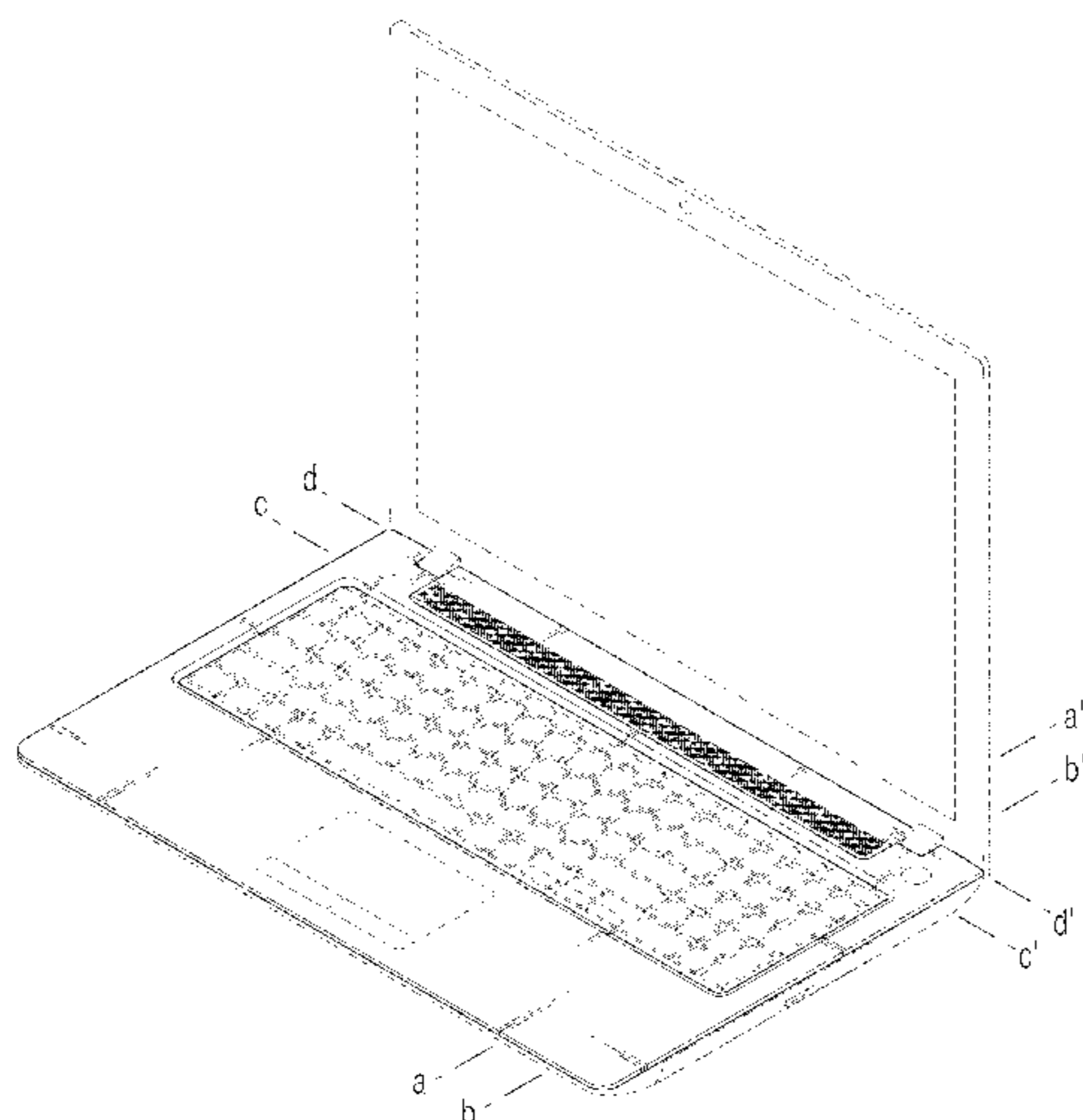


FIG. 1

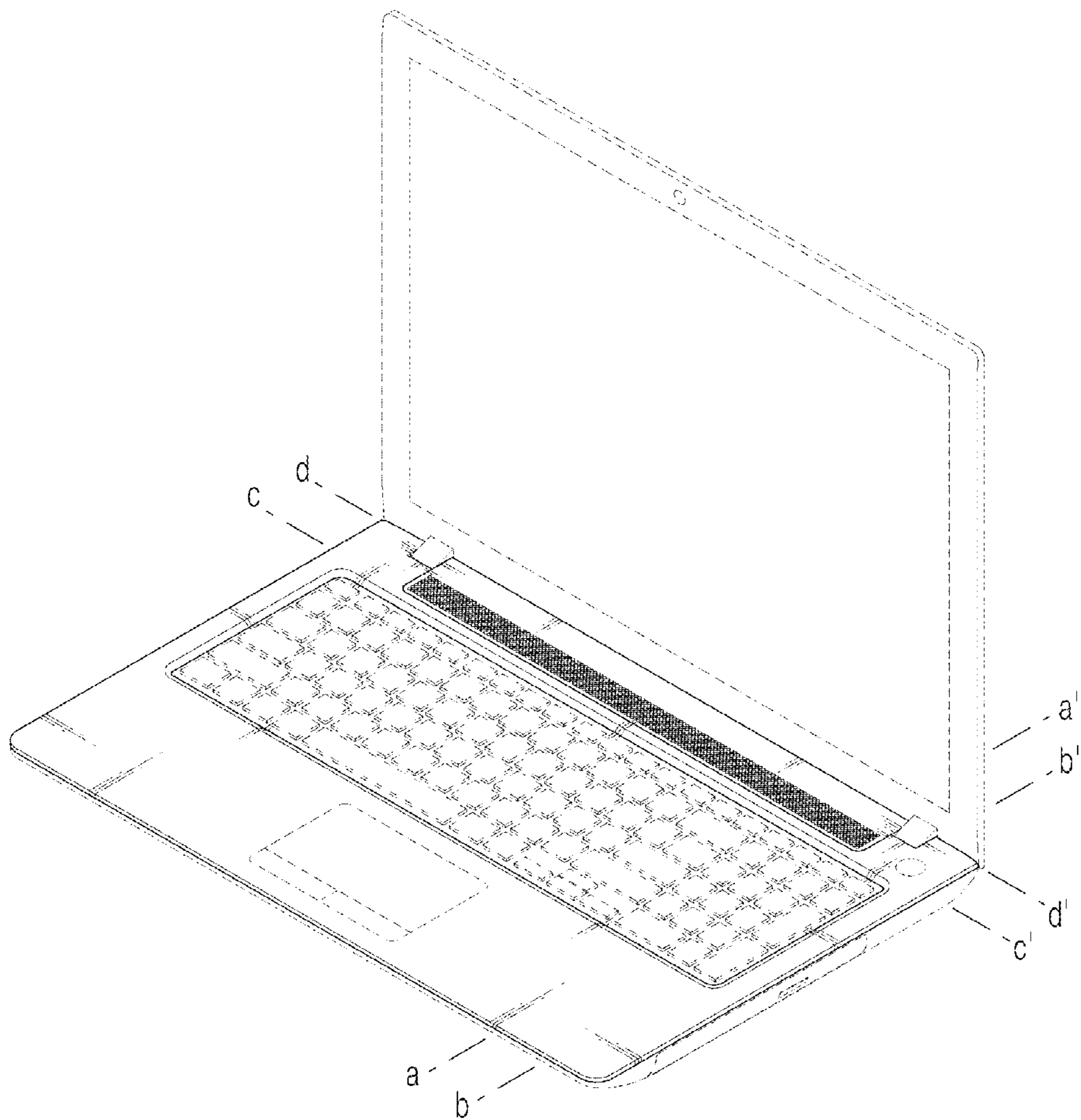


FIG.2

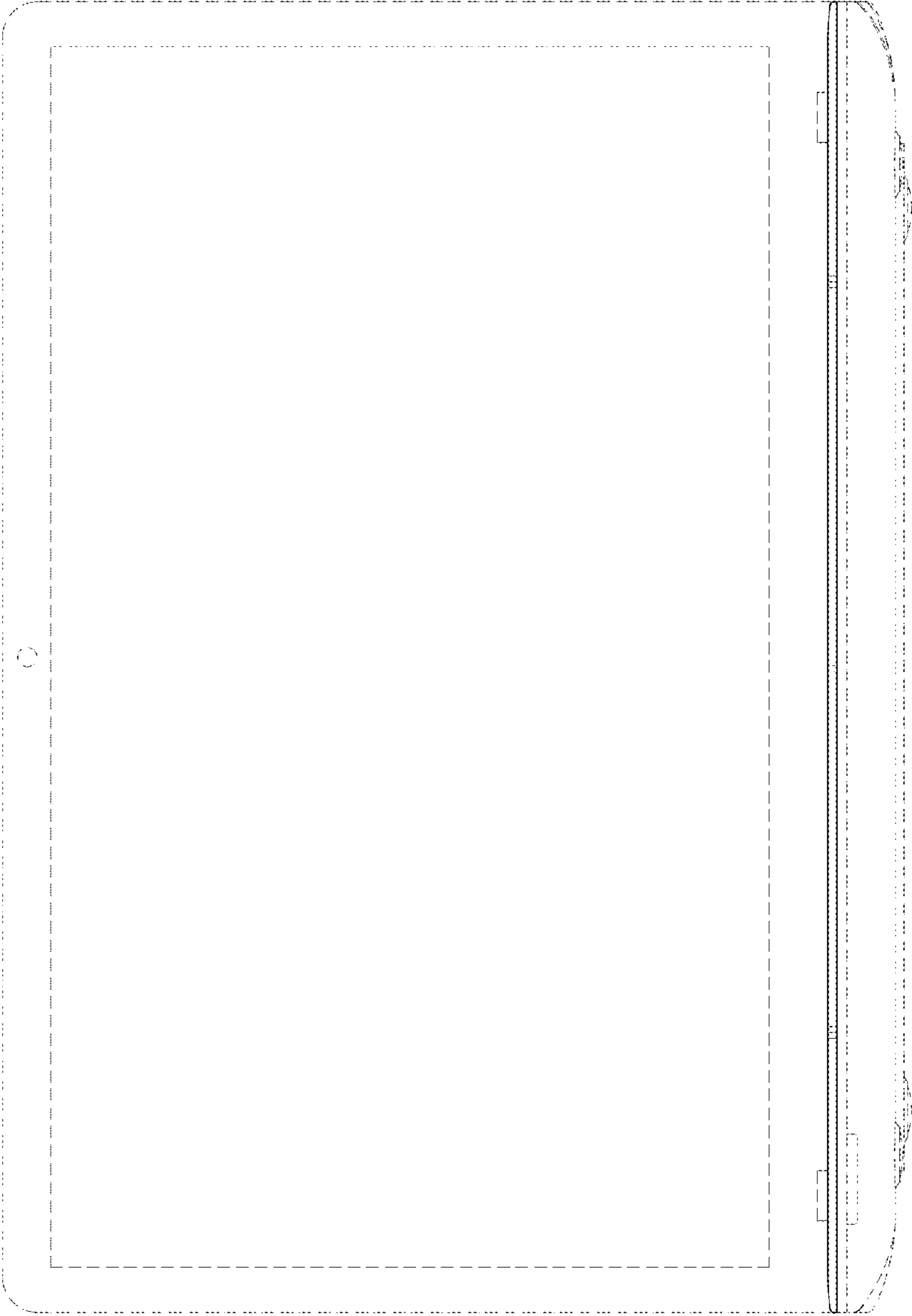


FIG.3



FIG. 4

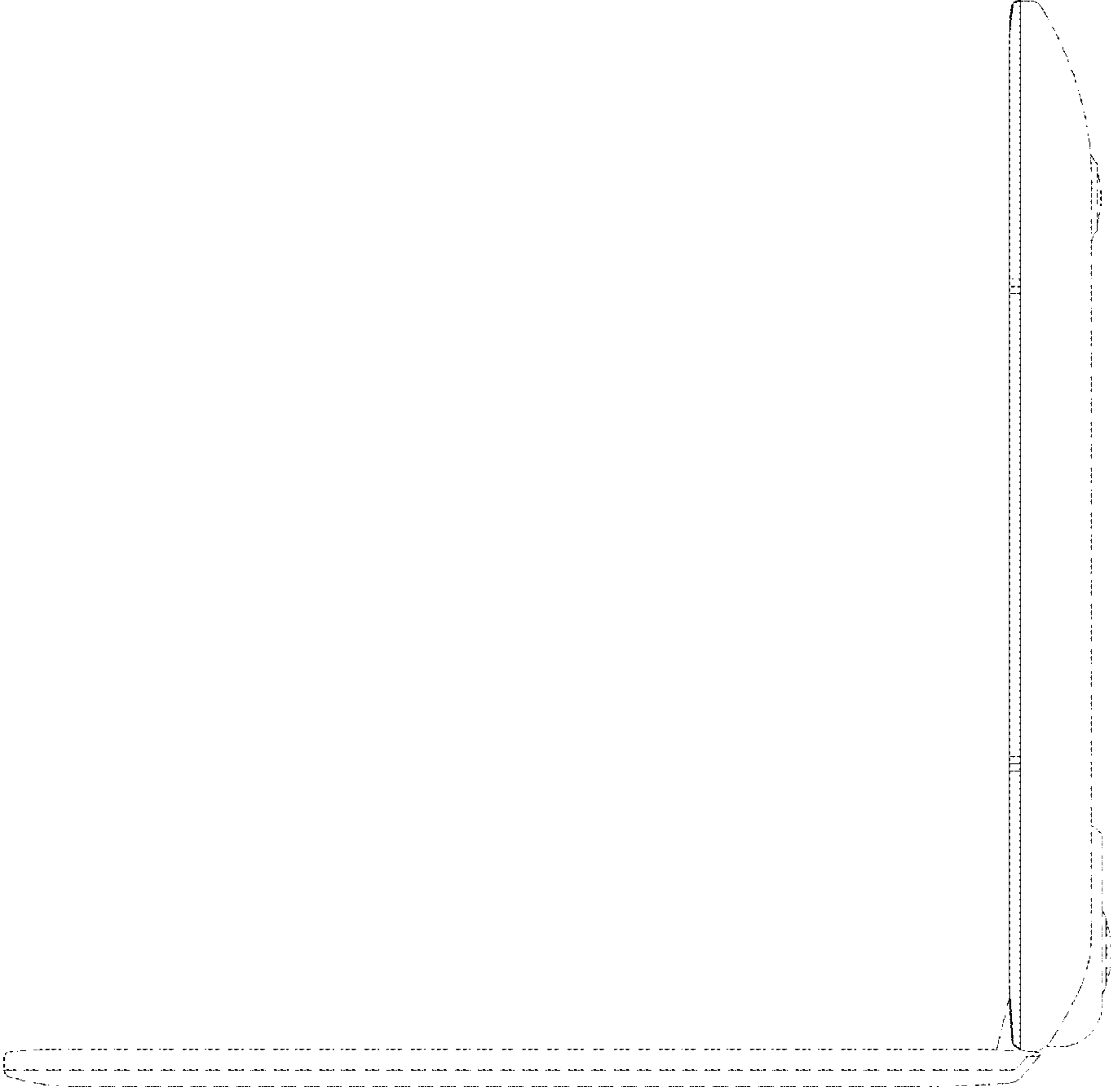


FIG. 5

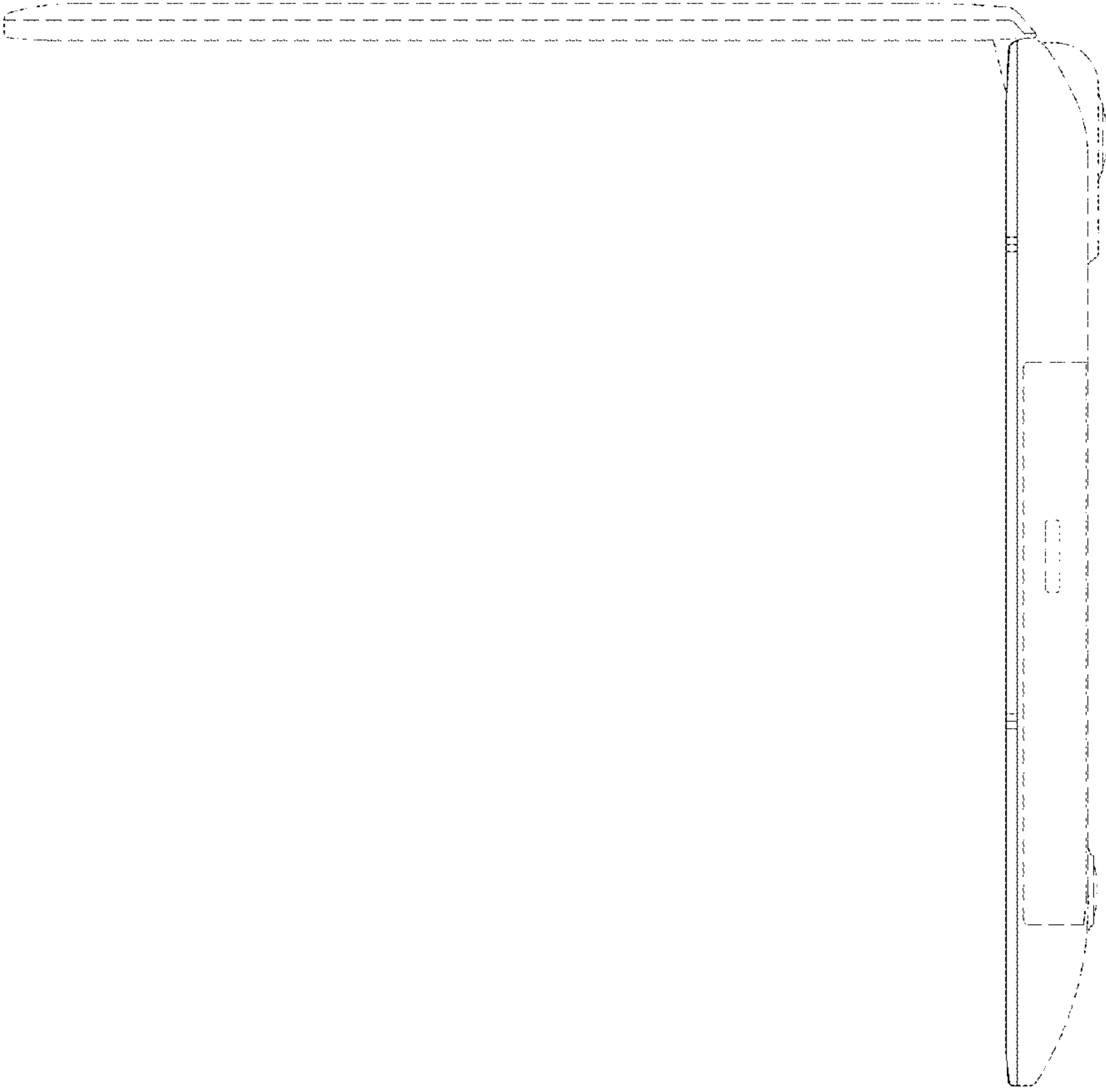


FIG. 6

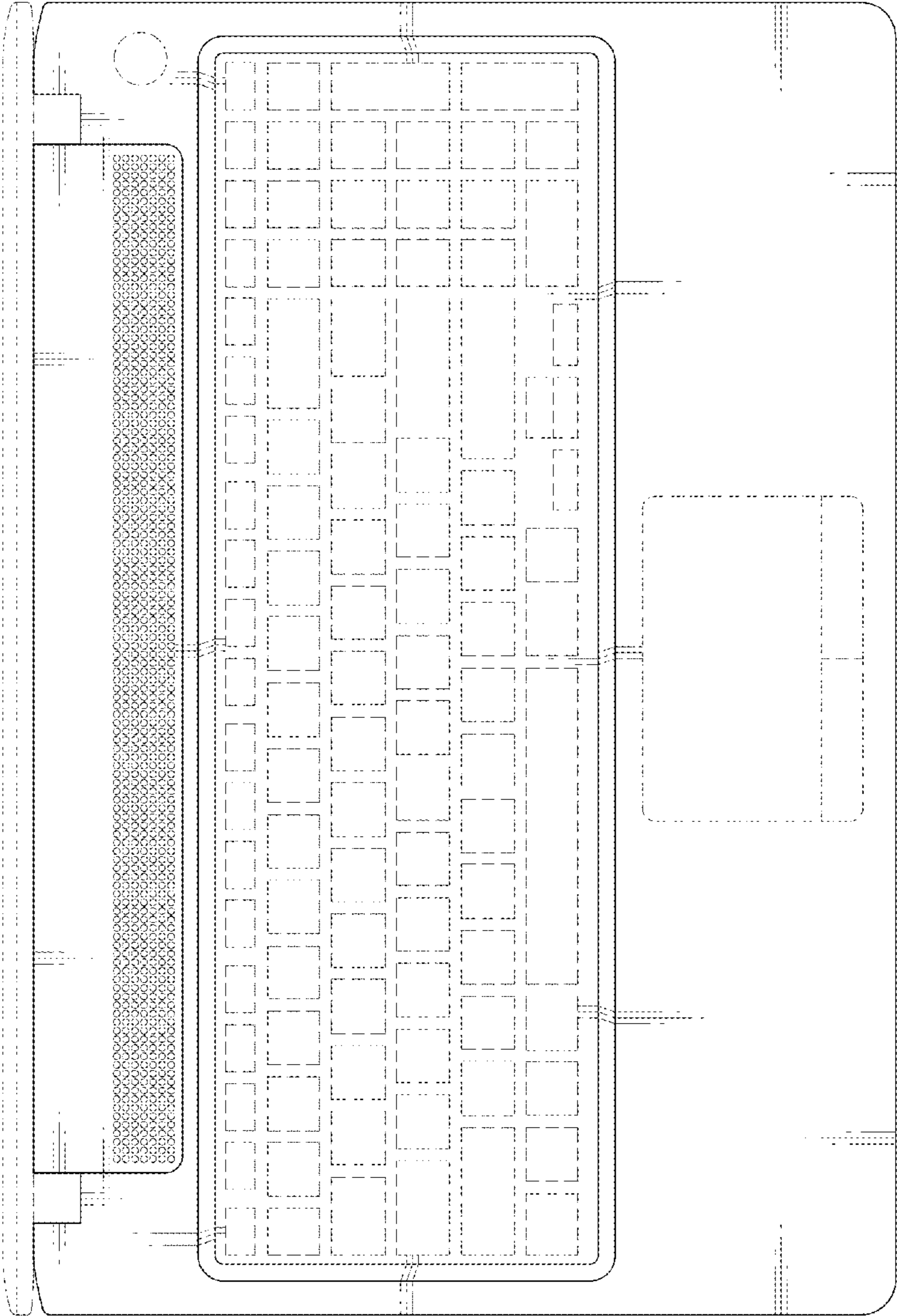


FIG. 7

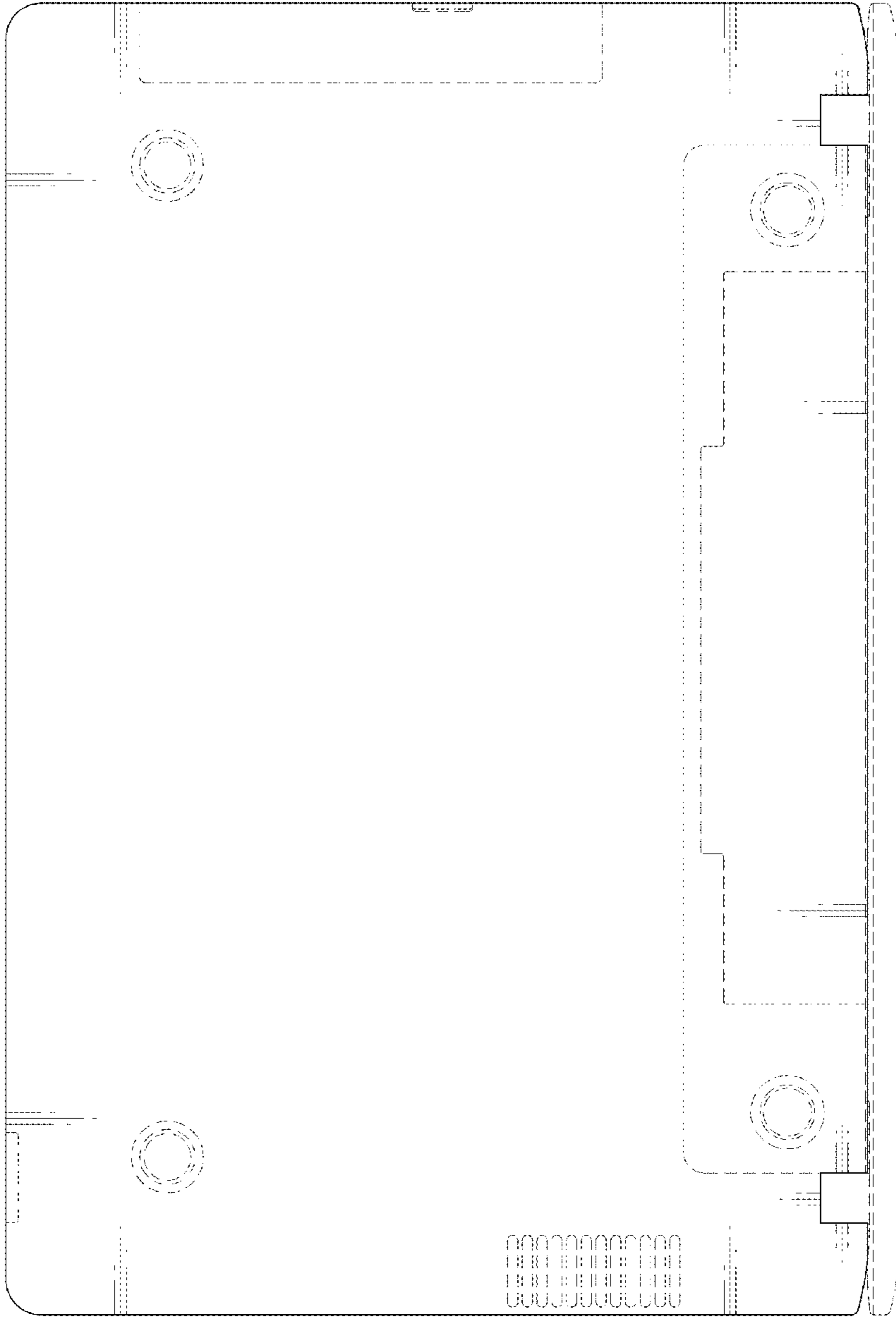


FIG.8

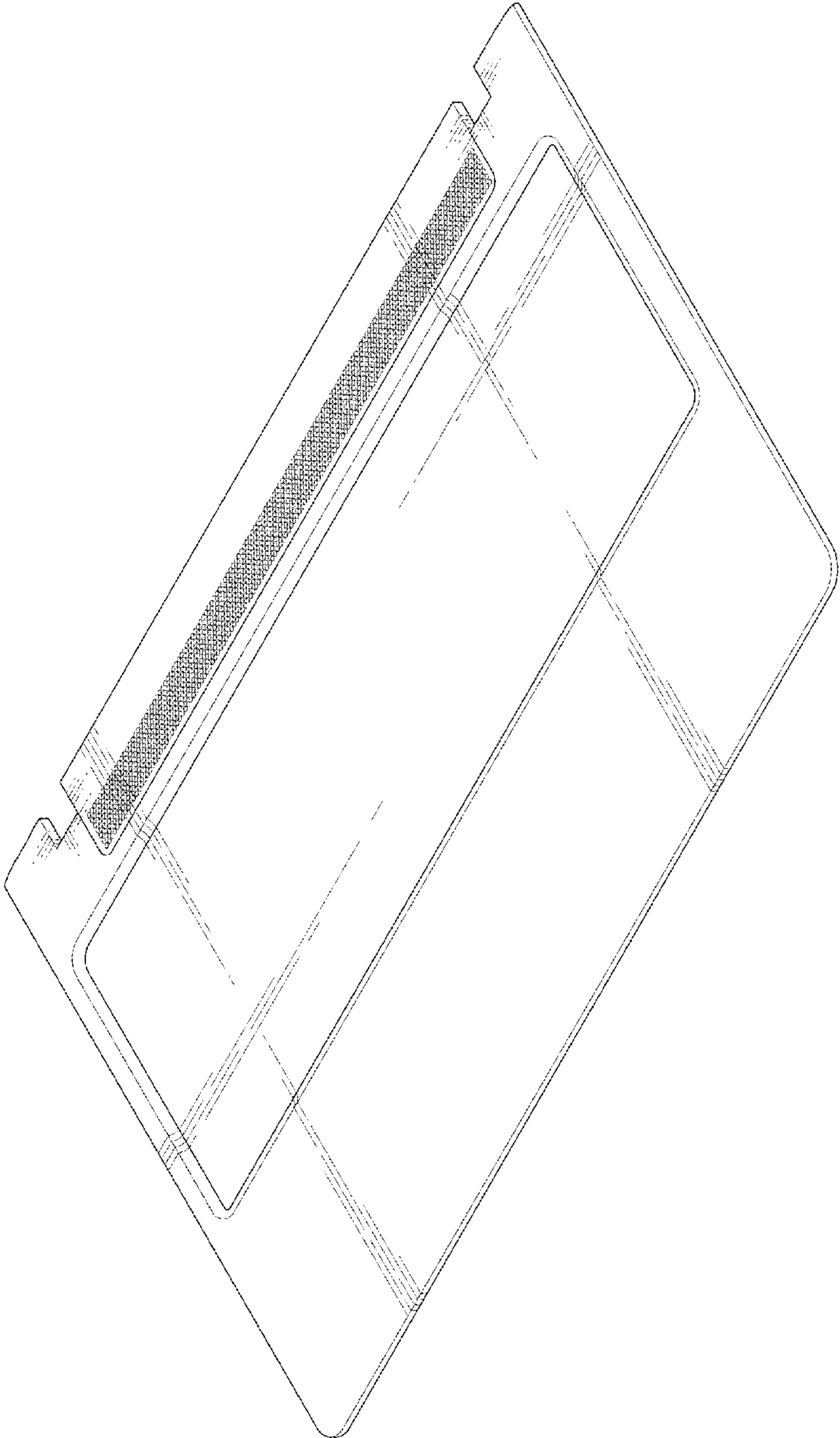


FIG.9

