



US00D706753S

(12) **United States Design Patent**  
**Kim**

(10) **Patent No.:** **US D706,753 S**  
(45) **Date of Patent:** **\*\* Jun. 10, 2014**

(54) **CASE FOR PORTABLE ELECTRONIC DEVICE**

(71) Applicant: **Samsung Electronics Co., Ltd.**,  
Suwon-Si (KR)

(72) Inventor: **YoonYoung Kim**, Sungnam-si (KR)

(73) Assignee: **Samsung Electronics Co., Ltd.**,  
Gyeonggi-do (KR)

(\*\*) Term: **14 Years**

(21) Appl. No.: **29/444,389**

(22) Filed: **Jan. 30, 2013**

(30) **Foreign Application Priority Data**

Aug. 28, 2012 (KR) ..... 30-2012-0041332

(51) **LOC (10) Cl.** ..... **14-03**

(52) **U.S. Cl.**  
USPC ..... **D14/250**

(58) **Field of Classification Search**  
USPC ..... D14/250, 440, 238.1, 251-253,  
D14/203.3-203.7, 217, 496, 248, 240, 447,  
D14/341-347, 444; D13/103, 107-108,  
D13/119; D3/201, 218, 247, 269, 273, 301,  
D3/303; 248/309.1, 371, 176.3, 668;  
361/679.56, 679.3, 679.25, 816;  
379/433.11, 455; 455/575.1, 575.8;  
206/305, 320; 320/108, 115; 429/96;  
220/4.02; 150/165

See application file for complete search history.

(56) **References Cited**

**U.S. PATENT DOCUMENTS**

D433,808 S \* 11/2000 Moorhouse, Sr. .... D3/303  
6,758,335 B2 \* 7/2004 Kajiya ..... 206/320  
D519,559 S \* 4/2006 Mehta ..... D19/26  
D550,961 S \* 9/2007 Eskandry ..... D3/303  
D582,405 S \* 12/2008 Andre et al. .... D3/299

D628,374 S \* 12/2010 Lee et al. .... D3/201  
D641,348 S \* 7/2011 Kim et al. .... D14/250  
D648,529 S \* 11/2011 Brown ..... D3/269  
D652,829 S \* 1/2012 Kim et al. .... D14/250  
D657,354 S \* 4/2012 Kim ..... D14/250  
D669,121 S \* 10/2012 May ..... D19/26  
D669,270 S \* 10/2012 Phillips et al. .... D3/301  
D674,799 S \* 1/2013 Kim ..... D14/440  
D678,260 S \* 3/2013 Bau ..... D14/250  
D679,270 S \* 4/2013 Eicher ..... D14/250  
2009/0314400 A1 \* 12/2009 Liu ..... 150/165

(Continued)

**OTHER PUBLICATIONS**

Review of Rock Elegant Side Flip Case for Samsung Galaxy Note II, published on Mar. 17, 2013, <URL:http://www.youtube.com/watch?v=TAULRGa9syY>, retrieved from internet on May 13, 2013.\*

(Continued)

*Primary Examiner* — Carla Jobe Wright

(74) *Attorney, Agent, or Firm* — Harness, Dickey & Pierce, P.L.C.

(57) **CLAIM**

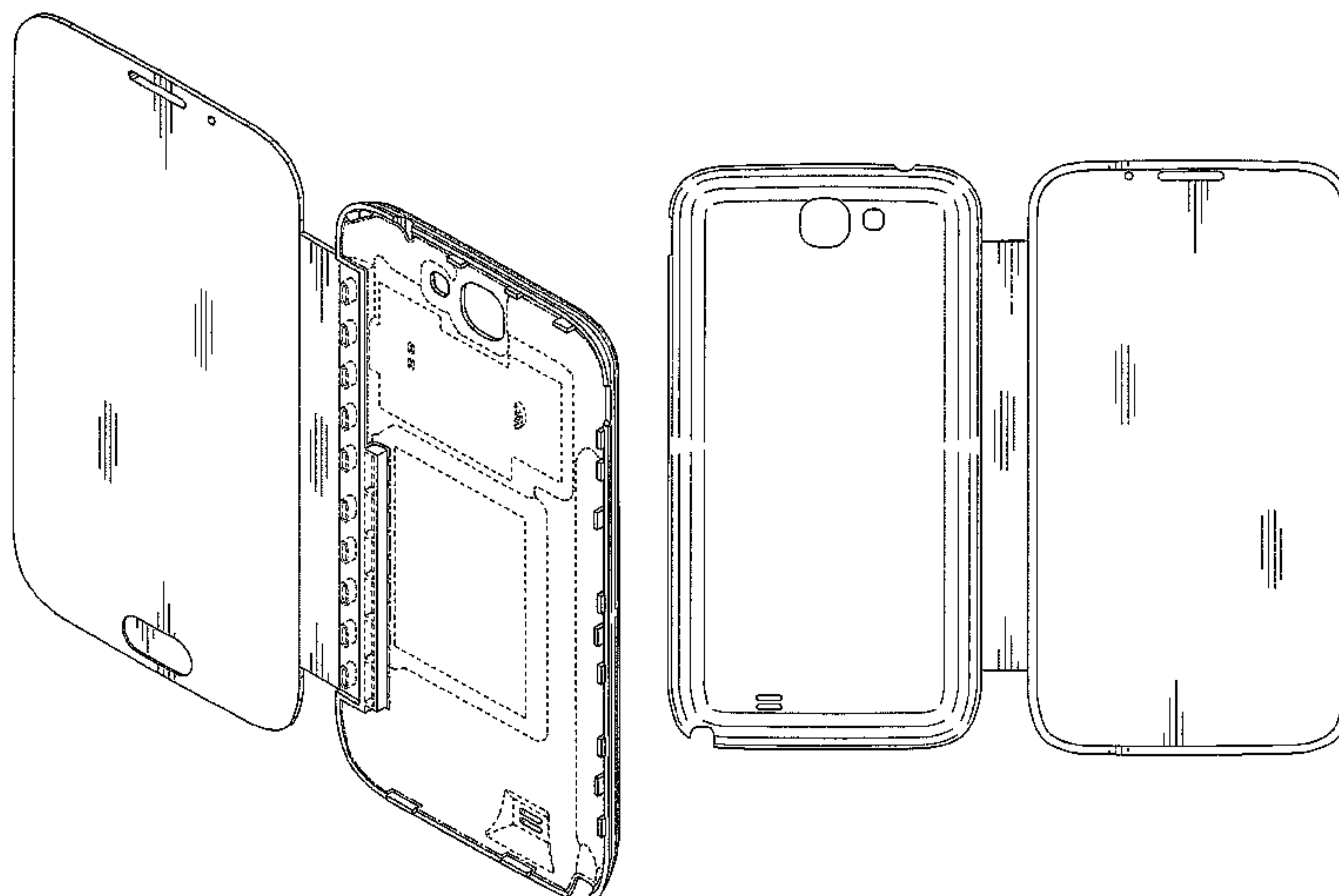
I claim the ornamental design for a case for portable electronic device, as shown and described.

**DESCRIPTION**

FIG. 1 is a front/right-side/top perspective view of a case for portable electronic device showing our new design;  
FIG. 2 is a front elevational view thereof;  
FIG. 3 is a rear elevational view thereof;  
FIG. 4 is a left-side elevational view thereof;  
FIG. 5 is a right-side elevational view thereof;  
FIG. 6 is a top plan view thereof; and,  
FIG. 7 is a bottom plan view thereof.

The dot-dash broken lines represent a boundary of the claimed design. The dash-dash broken lines depict unclaimed environment. The broken lines form no part of the claimed design.

**1 Claim, 6 Drawing Sheets**



(56)

**References Cited**

U.S. PATENT DOCUMENTS

2011/0290687	A1*	12/2011	Han	.....	206/320
2012/0178507	A1*	7/2012	Lee	.....	455/575.1
2012/0305424	A1*	12/2012	Sogabe et al.	.....	206/320
2012/0322518	A1*	12/2012	Kim	.....	455/575.8
2013/0015088	A1*	1/2013	Wu	.....	206/320
2013/0020214	A1*	1/2013	Chiou	.....	206/320
2013/0020215	A1*	1/2013	Hsu	.....	206/320

OTHER PUBLICATIONS

Rock Elegant Side Flip Protective Leather Case for Samsung Galaxy Note 2, <URL:[Side-Flip-Protective-Leather-Case-for-Samsung-Galaxy-Note-2-II-N7100-MLC-N7100-81/>, retrieved from internet on May 13, 2013.\\*](http://www.tvc-mall.com/details/ROCK-Elegant-</a></p></div><div data-bbox=)

Androidizen review of Belkin Snap Folio Case for Samsung Galaxy Note 2, published on Jan 13, 2013, <URL:<http://www.youtube.com/watch?v=C52zLHKQSBw>>, retrieved from internet on May 13, 2013.\*

Review of Kalaideng Galaxy S4 Oscar Series Book Flip Case, published on May 13, 2013, <URL:<http://www.youtube.com/watch?v=TpWeG4x-y0Q>>, retrieved from internet on Jun. 12, 2013.\*

\* cited by examiner

Fig. 1

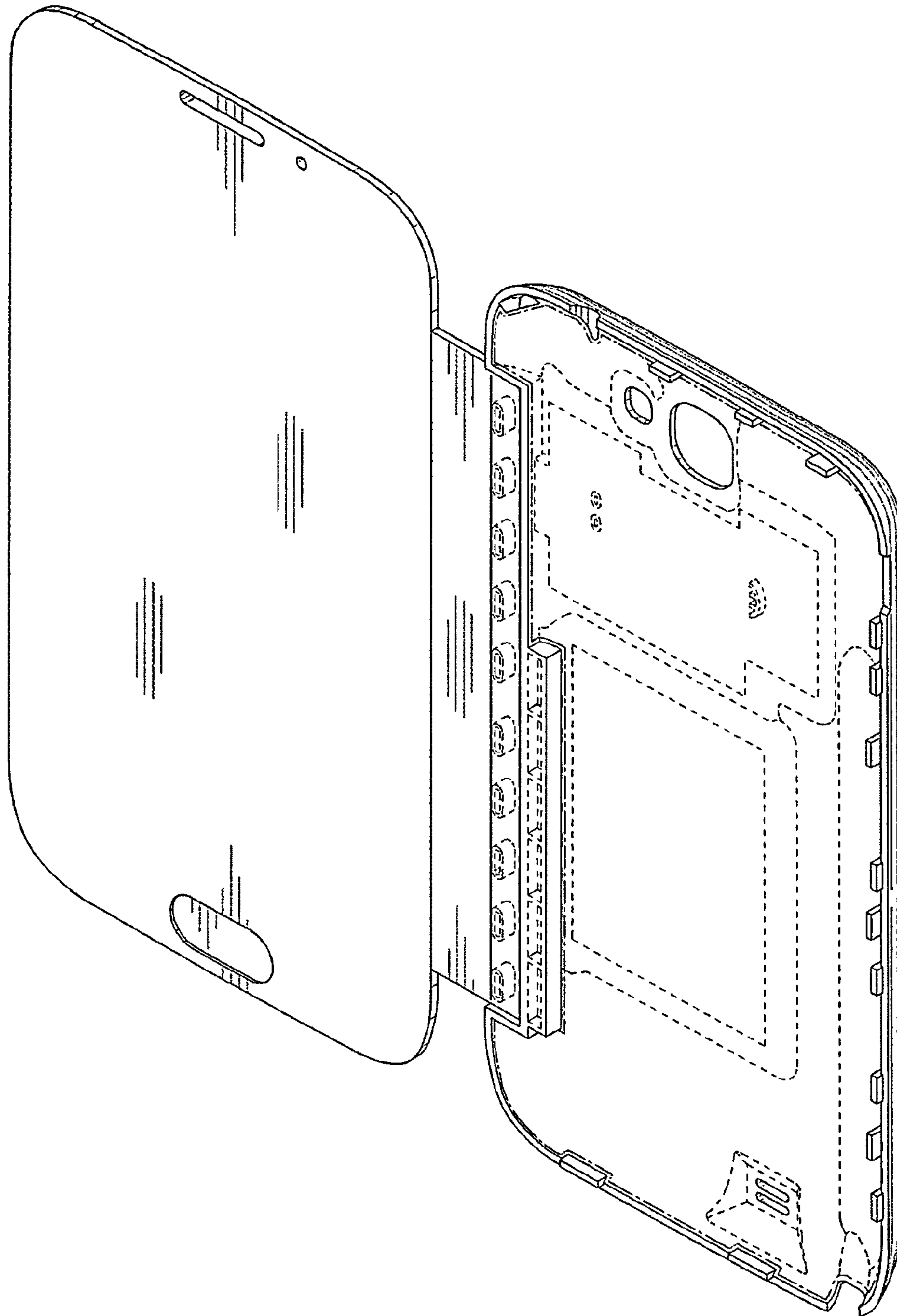


Fig. 2

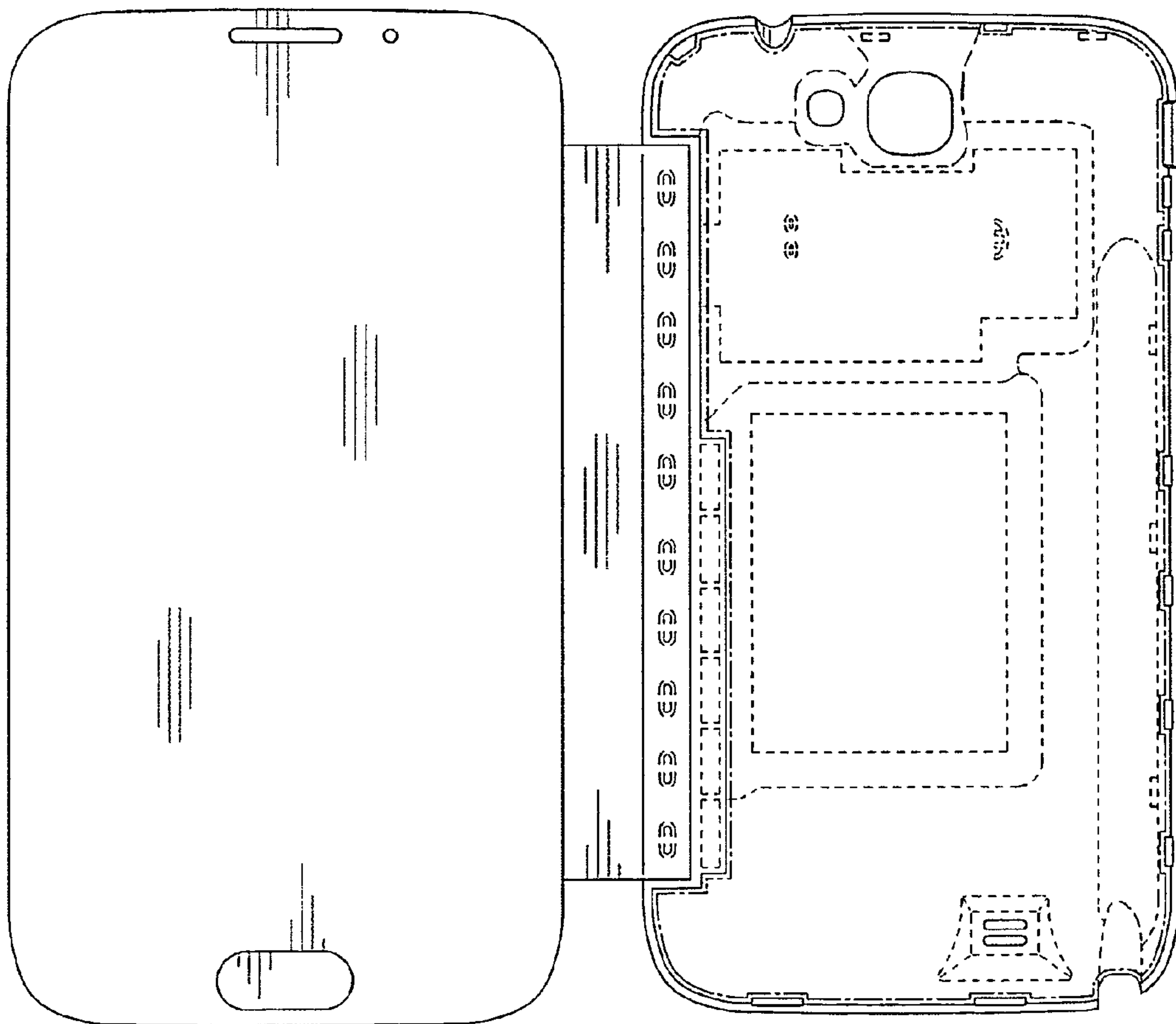
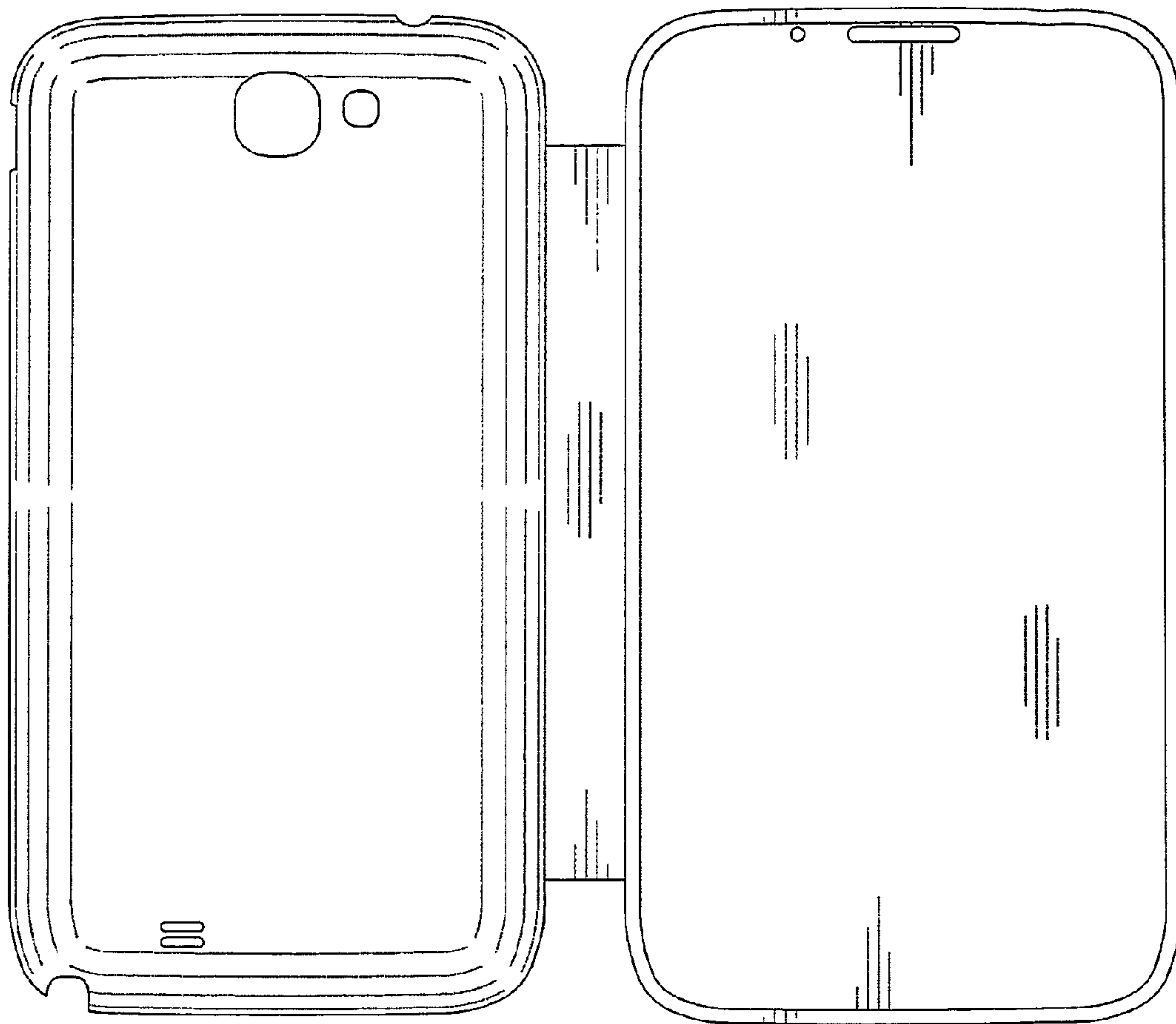


Fig. 3





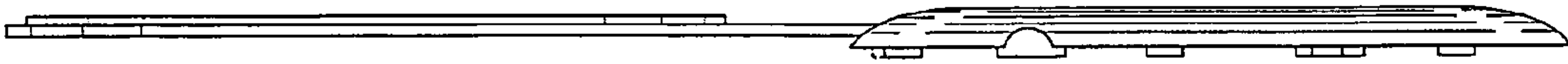
**Fig. 4**



**Fig. 5**



**Fig. 6**



**Fig. 7**

