



US00D706748S

(12) **United States Design Patent**
Hara

(10) **Patent No.:** **US D706,748 S**
(45) **Date of Patent:** **** Jun. 10, 2014**

(54) **SPEAKER BOX**

(71) Applicant: **Panasonic Corporation**, Osaka (JP)

(72) Inventor: **Masayuki Hara**, Shiga (JP)

(73) Assignee: **Panasonic Corporation**, Osaka (JP)

(**) Term: **14 Years**

(21) Appl. No.: **29/440,738**

(22) Filed: **Dec. 27, 2012**

(51) **LOC (10) Cl.** **14-03**

(52) **U.S. Cl.**
USPC **D14/214; D14/215**

(58) **Field of Classification Search**
CPC B60R 11/0217; G11B 31/003; H04R 1/02;
H04R 1/021; H04R 1/026; H04R 1/2803;
H04R 2203/00; H04R 2400/00; H04R 2420/07
USPC D14/167, 168, 170–172, 188, 189,
D14/194–196, 204, 207, 209.1, 210–216,
D14/221, 222; 181/143, 144, 147, 148, 150,
181/153, 157, 198, 199; 381/300–303, 306,
381/332, 333, 336, 345, 361–364,
381/386–388; 369/6–12; D13/107, 108
See application file for complete search history.

(56) **References Cited**

U.S. PATENT DOCUMENTS

D496,923 S * 10/2004 Allen D14/211
D629,388 S 12/2010 Son et al.

D653,239 S * 1/2012 Kim et al. D14/215
D658,160 S * 4/2012 Janky et al. D14/214
D672,749 S * 12/2012 Onoue D14/214
D676,422 S * 2/2013 Onoue D14/214
D681,606 S * 5/2013 Nishii et al. D14/214

* cited by examiner

Primary Examiner — Keli L Hill

(74) *Attorney, Agent, or Firm* — Panasonic Patent Center

(57) **CLAIM**

I claim the ornamental design for a speaker box, as shown and described.

DESCRIPTION

FIG. 1 is a front perspective view of a speaker box of the present invention;
FIG. 2 is a front view thereof;
FIG. 3 is a rear view thereof;
FIG. 4 is a first side view thereof;
FIG. 5 is a second side view thereof;
FIG. 6 is a top view thereof;
FIG. 7 is a bottom view thereof; and,
FIG. 8 is a reference perspective view thereof showing a state in which this article is used.

The broken line showing of speaker box is included for the purpose of illustrating environment and forms no part of the claimed design. Additionally, the unevenly broken lines in the drawings define the limits of the claimed design.

1 Claim, 8 Drawing Sheets

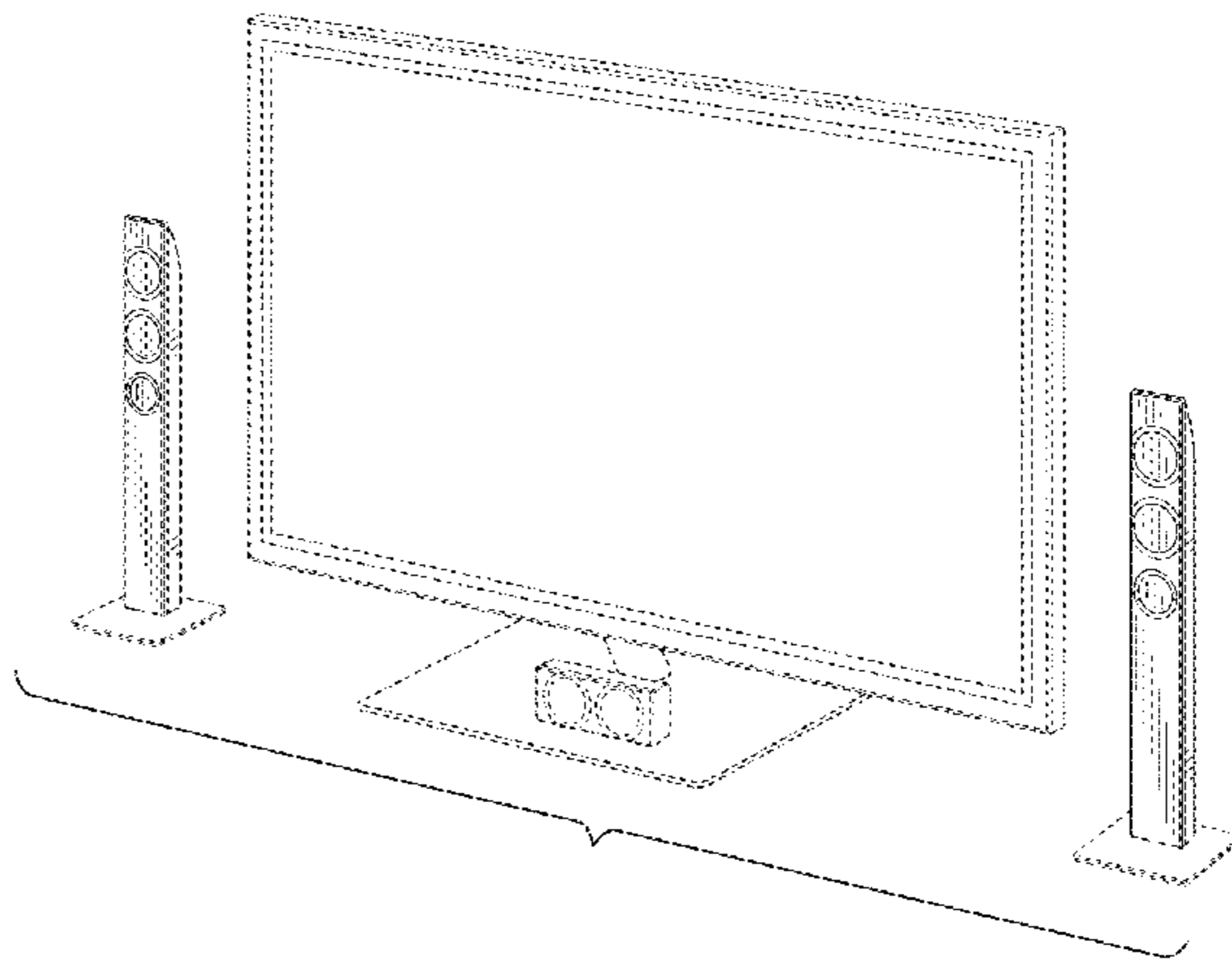
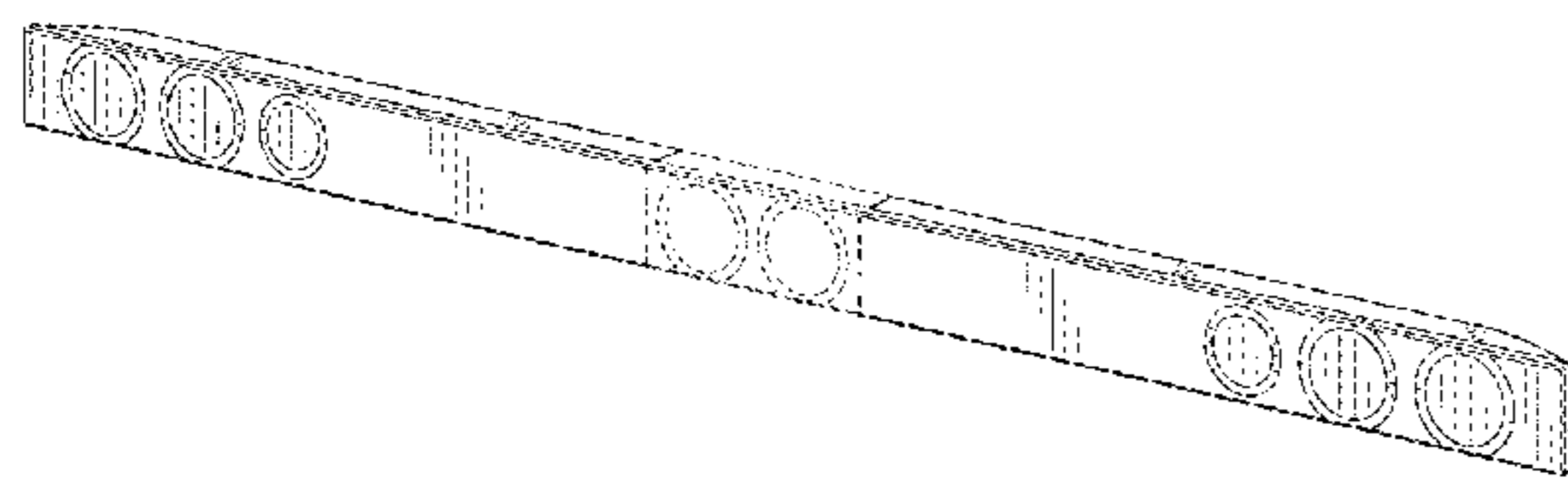


FIG. 1

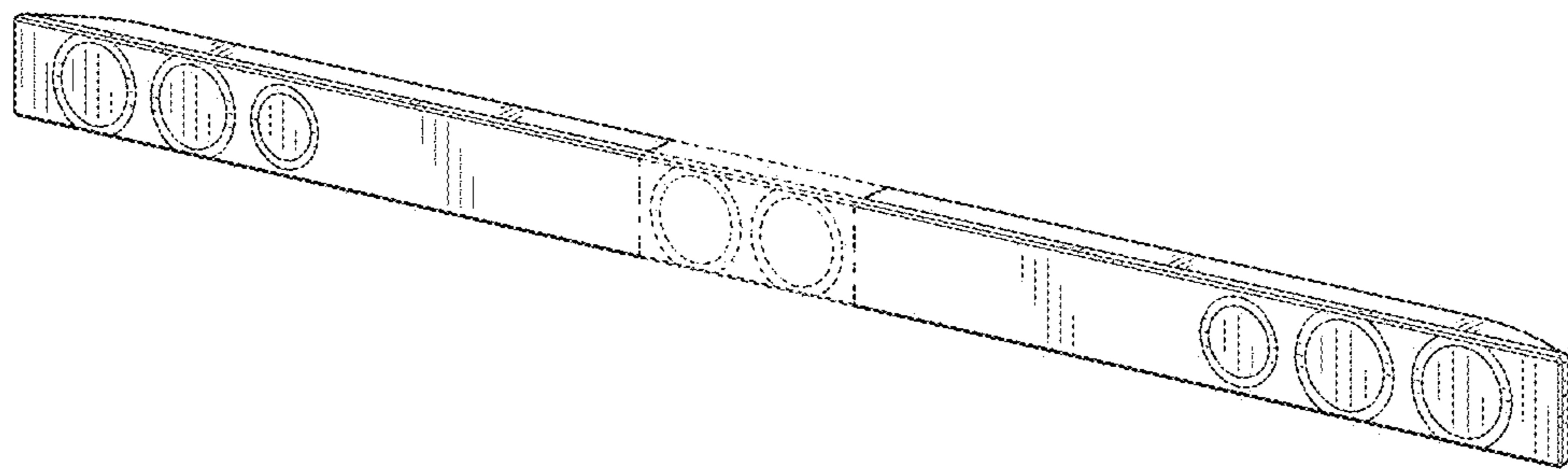


FIG. 2

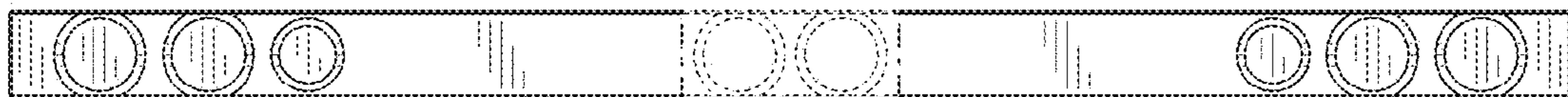


FIG. 3



FIG. 4



FIG. 5



FIG. 6

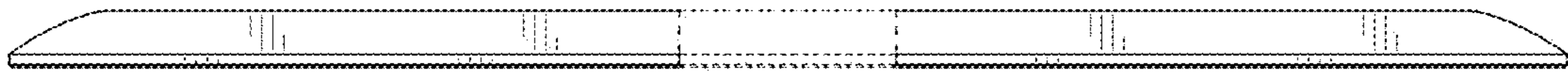


FIG. 7

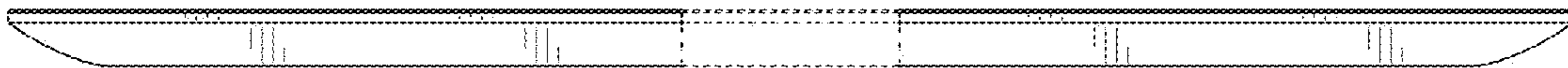


FIG. 8

