



US00D706747S

(12) **United States Design Patent**
Yoshimura

(10) **Patent No.:** **US D706,747 S**
(45) **Date of Patent:** **** Jun. 10, 2014**

(54) **PORTION OF DIGITAL AUDIO PLAYER**

(71) Applicant: **JVC Kenwood Corporation**, Yokohama (JP)

(72) Inventor: **Satoshi Yoshimura**, Sagamihara (JP)

(73) Assignee: **JVC Kenwood Corporation**, Kanagawa (JP)

(**) Term: **14 Years**

(21) Appl. No.: **29/445,890**

(22) Filed: **Feb. 19, 2013**

(30) **Foreign Application Priority Data**

Aug. 20, 2012 (JP) 2012-019826

(51) **LOC (10) Cl.** **14-01**

(52) **U.S. Cl.**
USPC **D14/209.1**

(58) **Field of Classification Search**

USPC D14/216, 221, 222, 223, 224, 224.1,
D14/218, 172, 168, 194, 195, 217, 207, 304,
D14/356, 496, 203.1–203.8, 188; 181/144,
181/145, 147, 148, 150, 153, 157, 198,
181/199; 381/300–302, 306, 333, 345, 343,
381/361–364, 386–388

See application file for complete search history.

(56) **References Cited**

U.S. PATENT DOCUMENTS

2,910,539 A * 10/1959 Hartsfield 381/174
3,459,902 A * 8/1969 Warning 381/357
4,789,044 A * 12/1988 Akino 181/158
6,791,907 B2 * 9/2004 Berhan 369/7

D510,213 S * 10/2005 Schulman D6/491
D551,656 S 9/2007 Ritscher et al.
D641,338 S * 7/2011 Chen D14/209.1
D676,412 S * 2/2013 Holzer D14/171
D676,829 S * 2/2013 Kaneko D14/209.1
D687,013 S * 7/2013 Ryu et al. D14/209.1

OTHER PUBLICATIONS

Statement of relevance summary in the counterpart Japanese Application No. 2012-020128, four pages.

Chinese State Intellectual Property Office Official Gazette, Publication No. CN301129274, No. 10-05, Feb. 3, 2010, and statement of relevance summary, two pages.

* cited by examiner

Primary Examiner — Prabhakar Deshmukh

(74) *Attorney, Agent, or Firm* — Nath, Goldberg & Meyer; Jerald L. Meyer

(57) **CLAIM**

The ornamental design for a portion of digital audio player, as shown and described.

DESCRIPTION

FIG. 1 is a front perspective view showing a portion of digital audio player of my new design;
FIG. 2 is a rear perspective view thereof;
FIG. 3 is a front view thereof;
FIG. 4 is a rear view thereof;
FIG. 5 is a right side view thereof;
FIG. 6 is a left side view thereof;
FIG. 7 is a top plan view thereof; and,
FIG. 8 is a bottom plan view thereof.

The broken lines shown are included for the purpose of illustrating the unclaimed portions of the article and form no part of the claim.

1 Claim, 4 Drawing Sheets

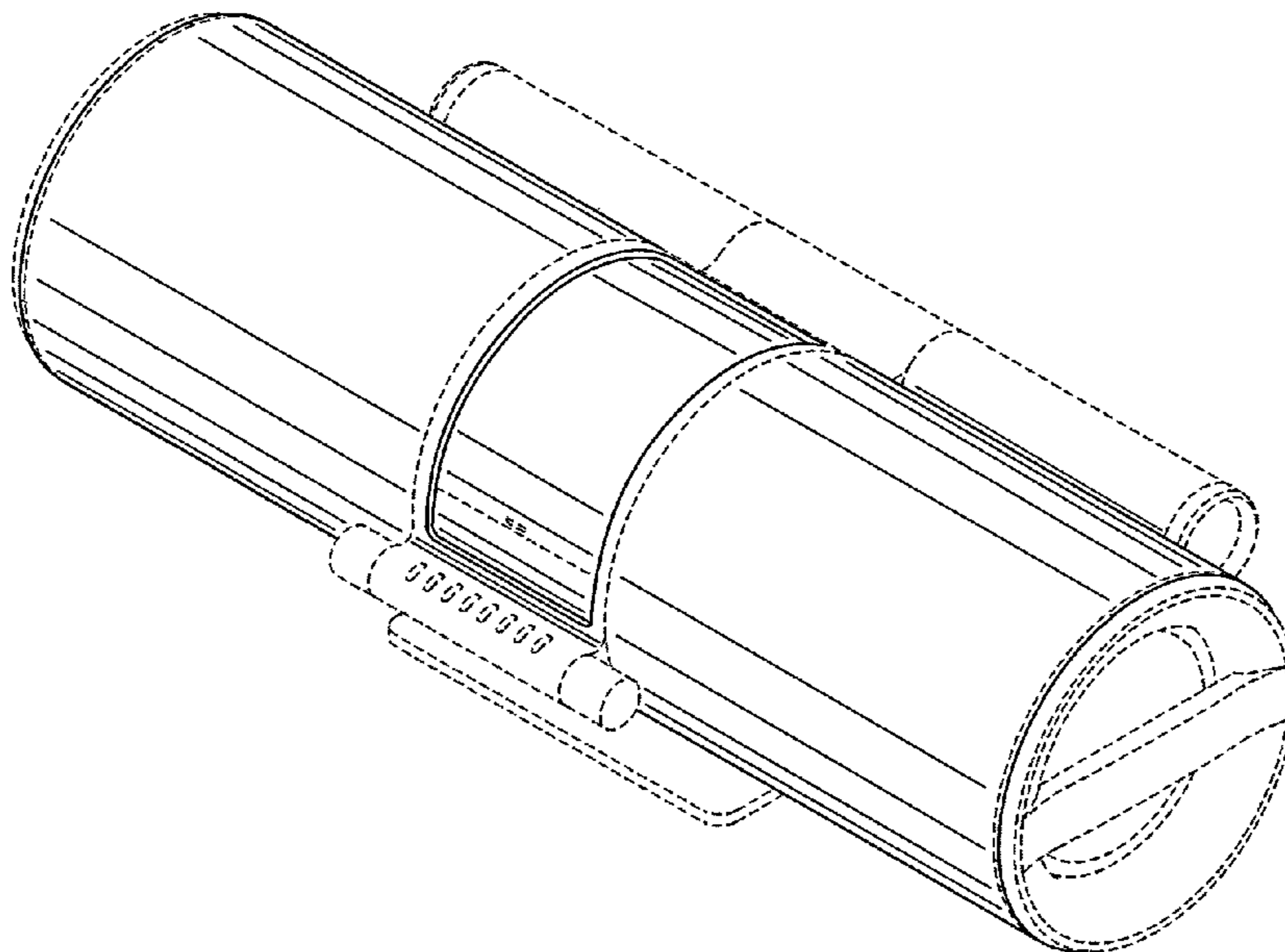


Fig. 1

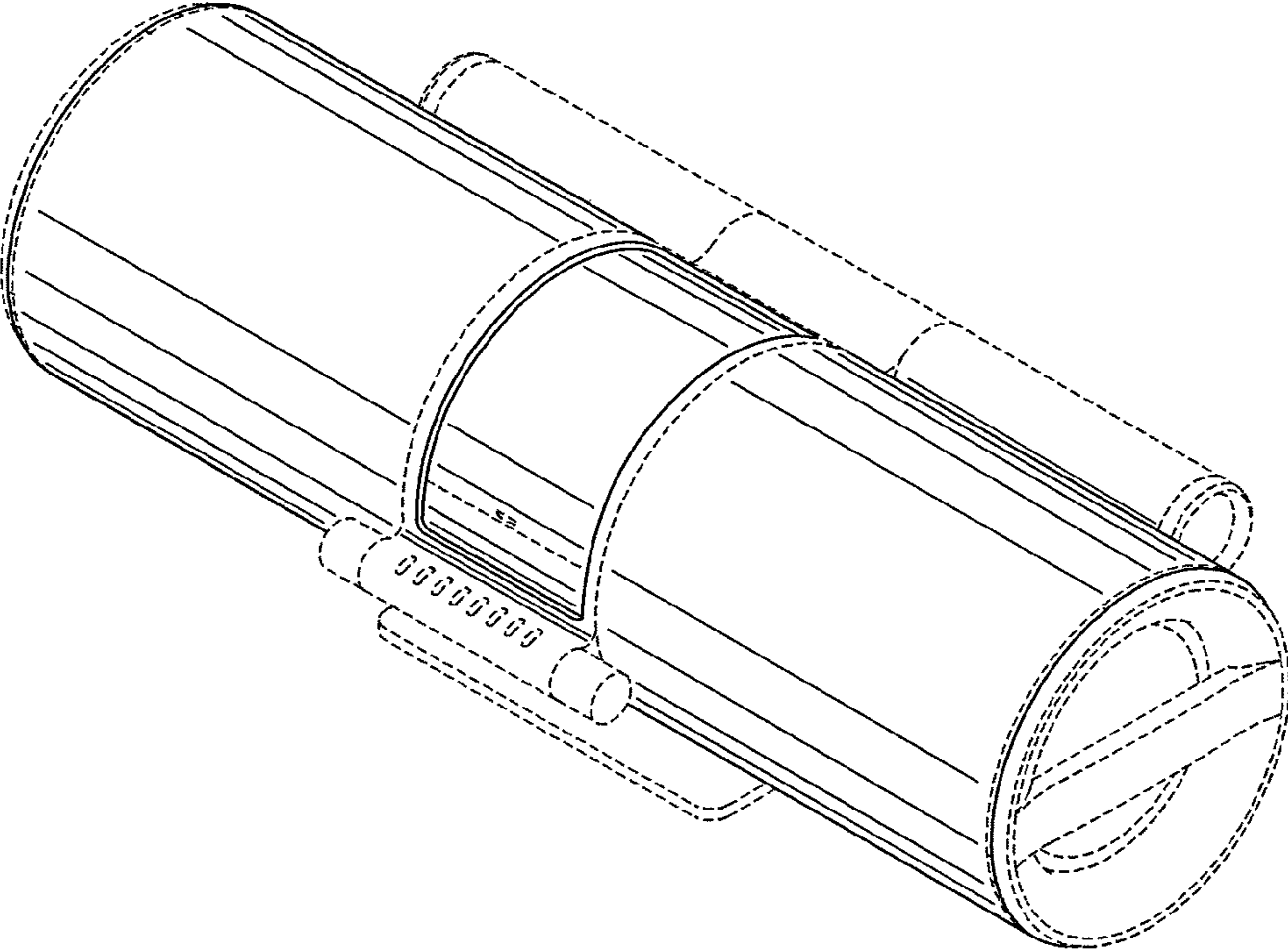


Fig. 2

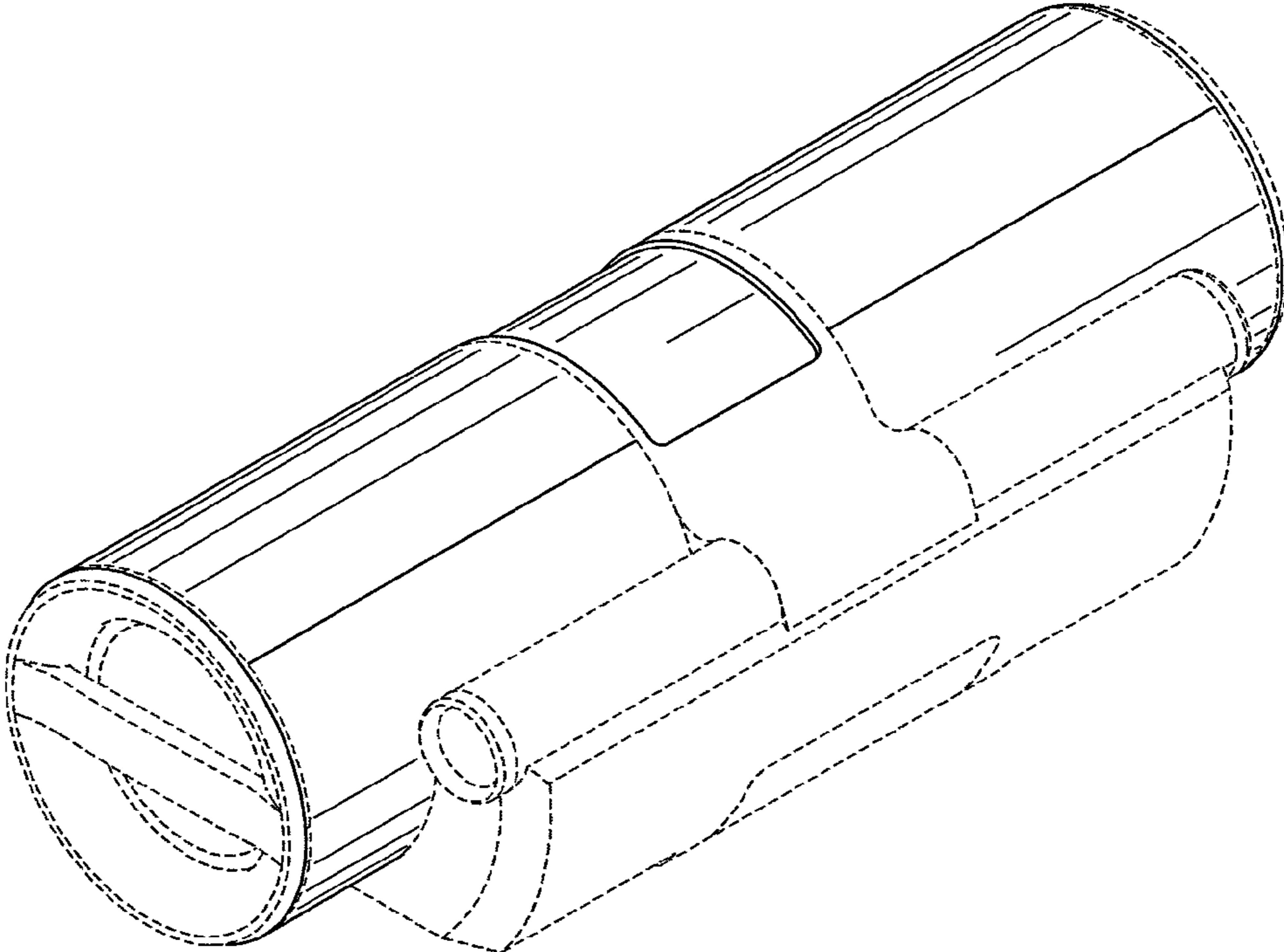


Fig. 3

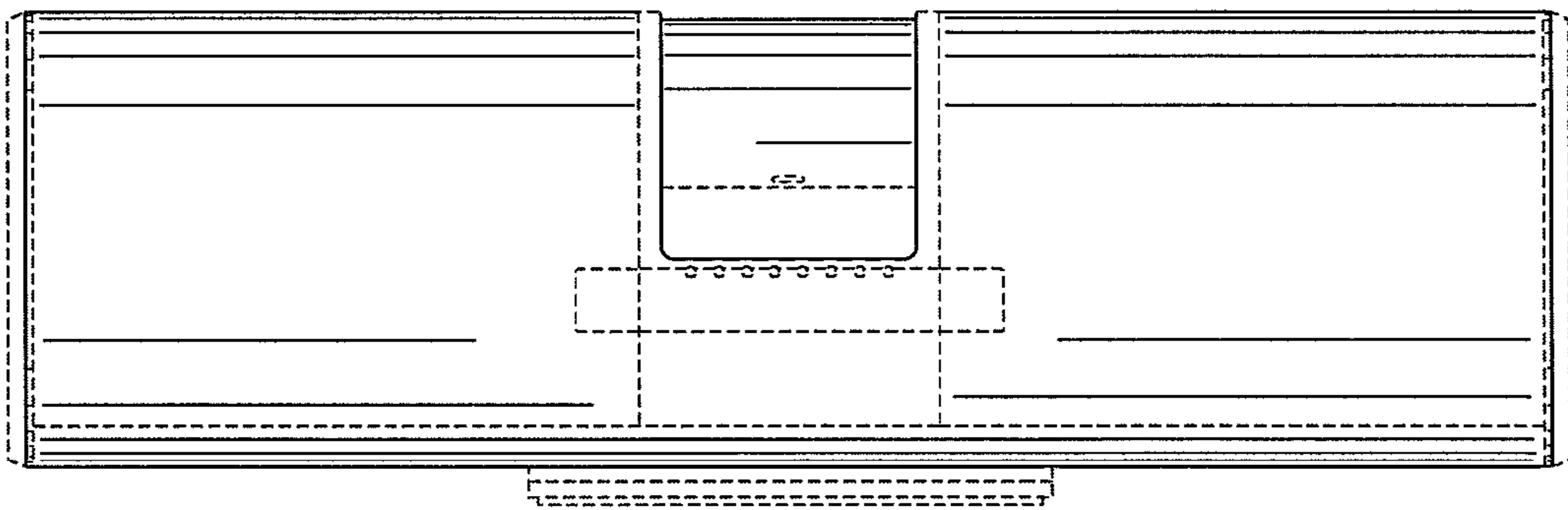


Fig. 4

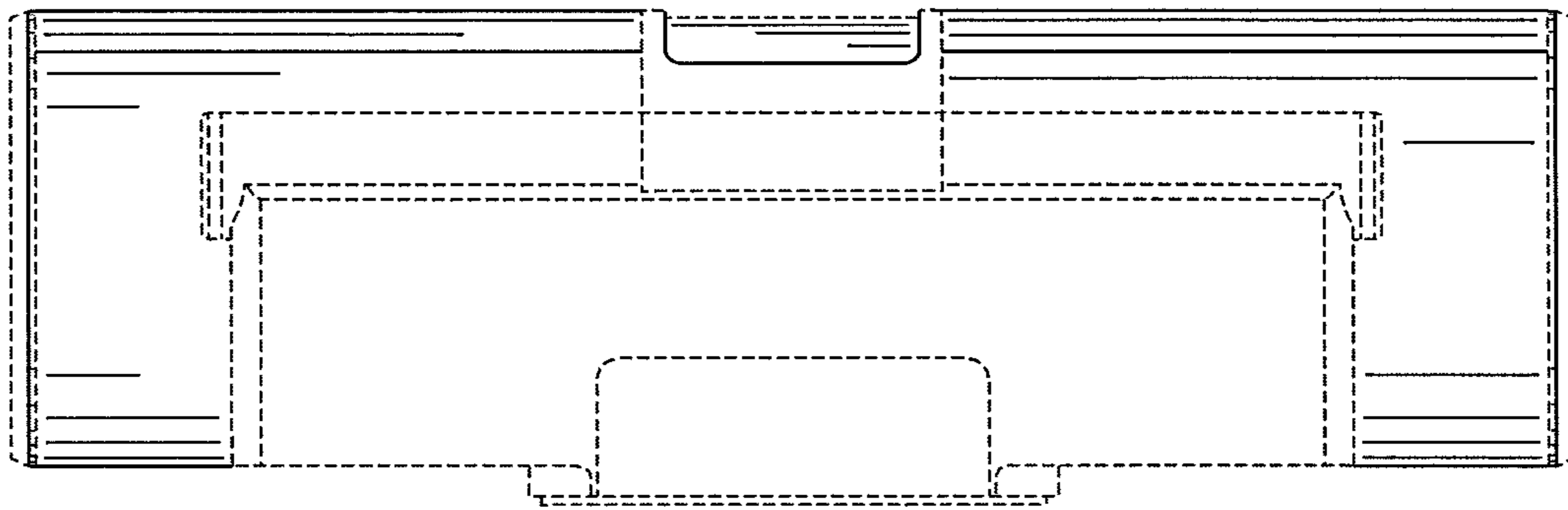


Fig. 5

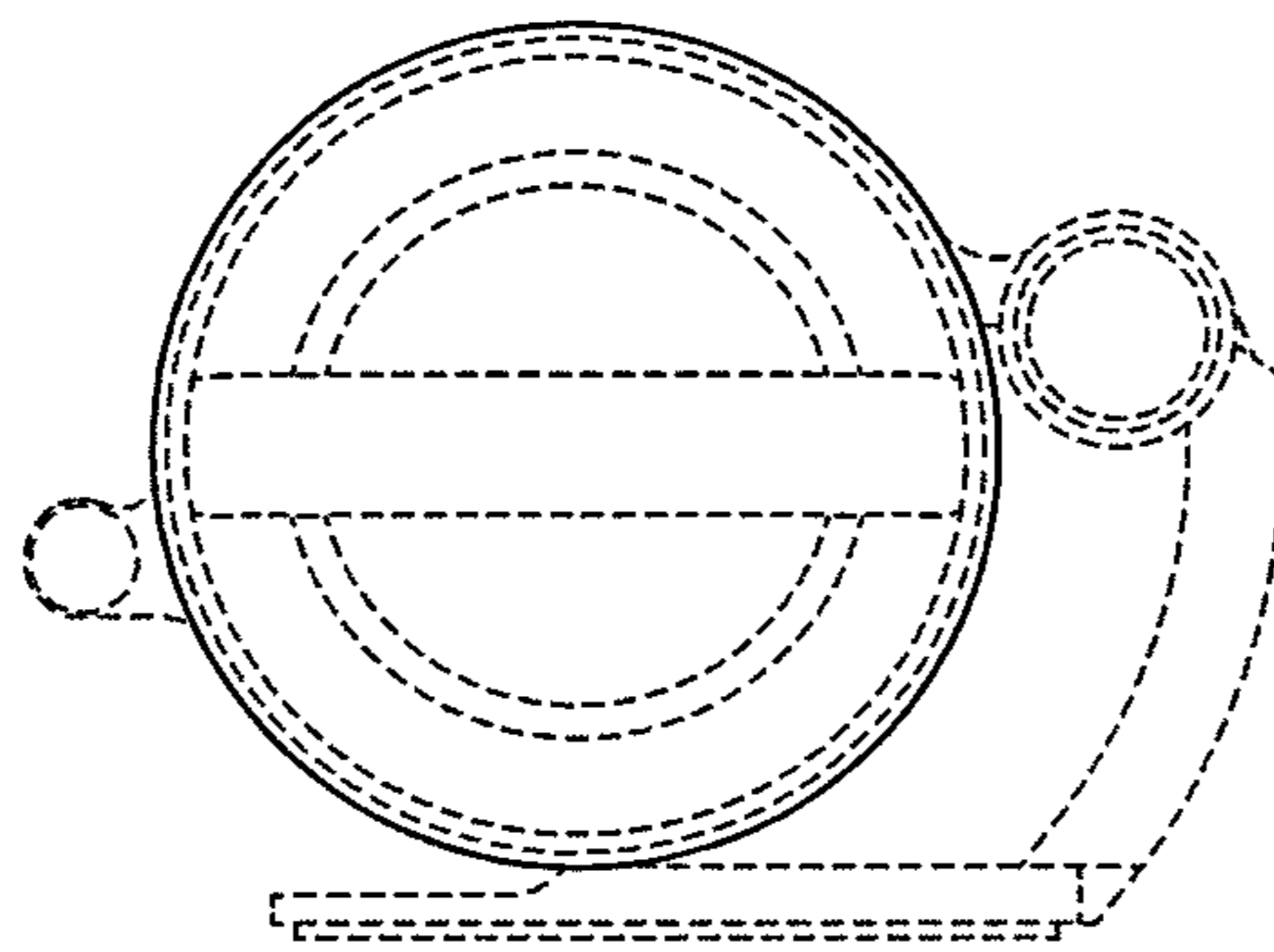


Fig. 6

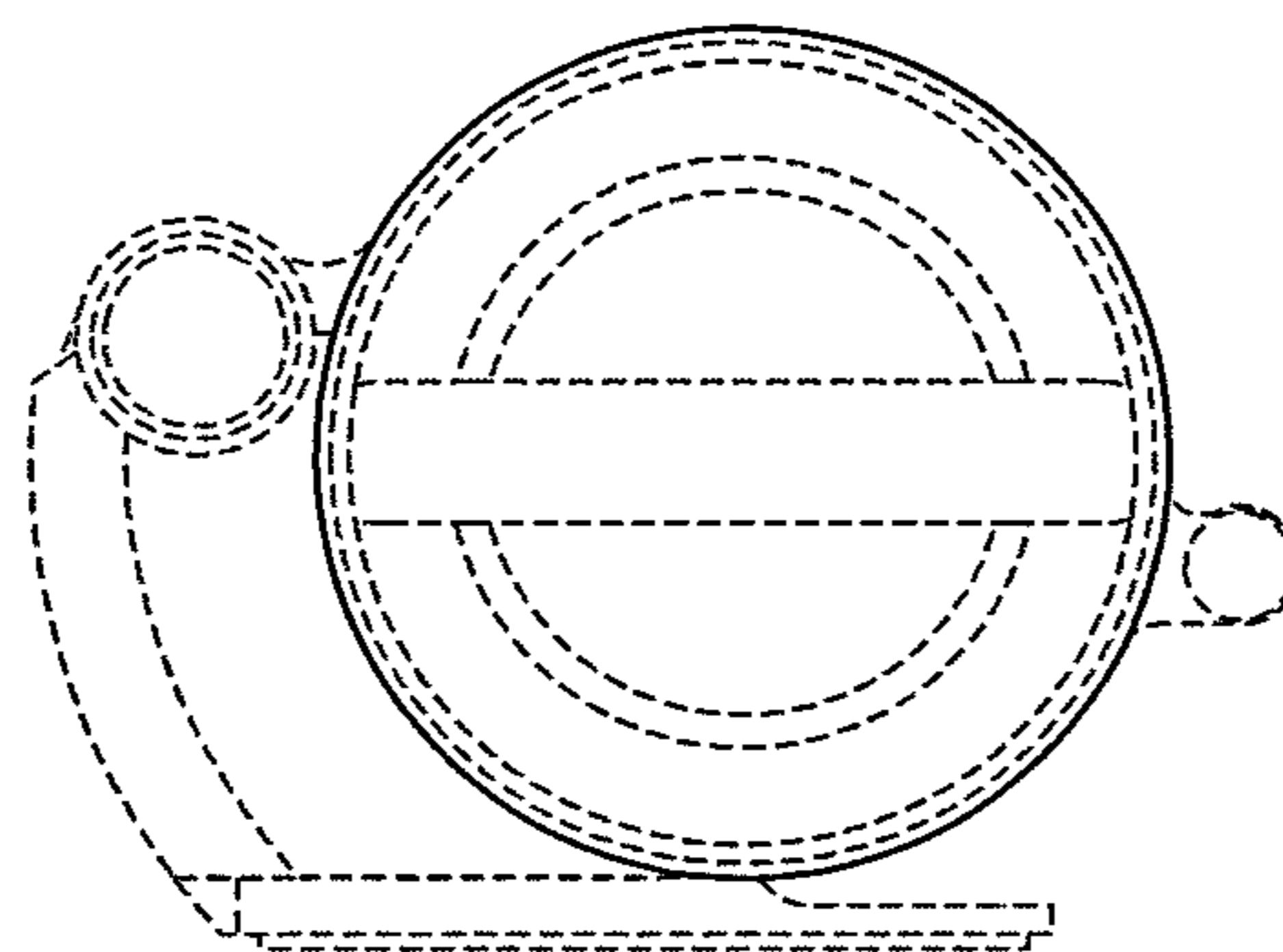


Fig. 7

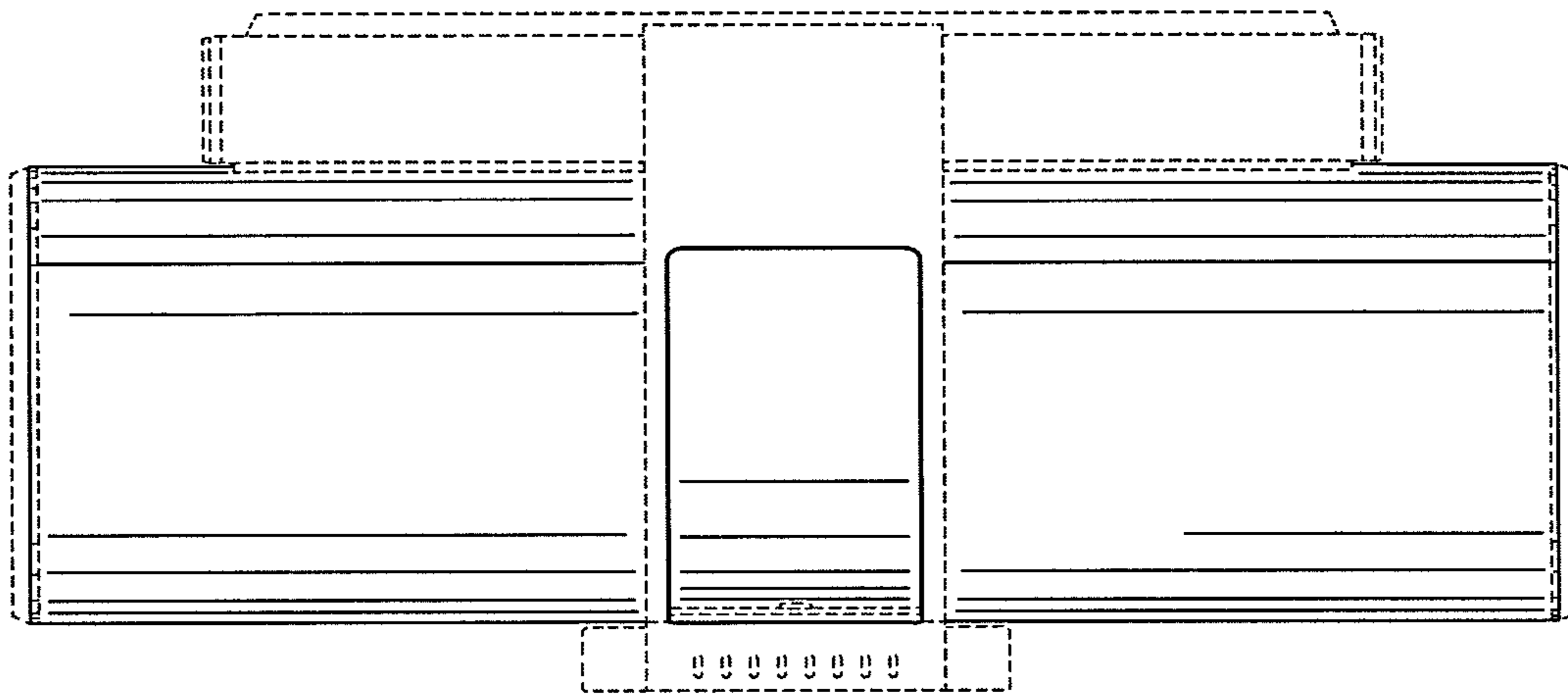


Fig. 8

