



US00D706746S

(12) **United States Design Patent**
Nakagawa

(10) **Patent No.:** **US D706,746 S**
(45) **Date of Patent:** **** Jun. 10, 2014**

(54) **HEADSET**

(71) Applicant: **Panasonic Corporation**, Osaka (JP)

(72) Inventor: **Hitoshi Nakagawa**, Osaka (JP)

(73) Assignee: **Panasonic Corporation**, Osaka (JP)

(**) Term: **14 Years**

(21) Appl. No.: **29/455,768**

(22) Filed: **May 24, 2013**

(30) **Foreign Application Priority Data**

Dec. 14, 2012 (JP) 2012-030543

(51) **LOC (10) Cl.** **14-01**

(52) **U.S. Cl.**

CPC **H04R 1/10** (2013.01)

USPC **D14/205**

(58) **Field of Classification Search**

CPC H04R 1/10

USPC D14/205, 206, 223, 188, 192, 496, 372;
D29/112, 108, 106, 105; 2/209, 53, 55,
2/56, 431; 181/129, 130, 135; 379/430,
379/431; 381/380, 381; 345/7, 8; 434/87;
D21/385, 386, 484; D2/975.989;
273/288

See application file for complete search history.

(56) **References Cited**

U.S. PATENT DOCUMENTS

1,573,912	A *	2/1926	Burdwise	84/322
2,248,837	A *	7/1941	Walters	381/380
2,812,517	A *	11/1957	Bogart et al.	2/174
2,994,967	A *	8/1961	Klamer et al.	434/259
D207,323	S *	4/1967	Hanna et al.	D21/389
3,440,365	A *	4/1969	Hazell et al.	379/430
D231,281	S *	4/1974	Dassler	D2/975
D316,551	S *	4/1991	Ichikawa	D14/205

D318,669	S *	7/1991	Nakayama	D14/205
D319,241	S *	8/1991	Daido et al.	D14/205
D331,408	S *	12/1992	Ellermeier	D14/205
D337,587	S *	7/1993	Nakayama	D14/205
D368,716	S *	4/1996	Shudo	D14/205
D371,558	S *	7/1996	Yoshizawa	D14/205
D380,785	S *	7/1997	Francis	D21/386
D403,062	S *	12/1998	Dix	D24/106
D405,858	S *	2/1999	Wolff	D21/759
D421,014	S *	2/2000	Smith	D14/205
6,021,526	A *	2/2000	Falco et al.	2/209
D459,345	S *	6/2002	Vuolteenaho et al.	D14/248
D471,176	S *	3/2003	Suzuki	D14/205
D475,418	S *	6/2003	Manville	D21/484
D516,540	S *	3/2006	Beauchemin et al.	D14/192

(Continued)

Primary Examiner — Paula Greene

(74) *Attorney, Agent, or Firm* — Panasonic Patent Center

(57) **CLAIM**

I claim the ornamental design for a headset, as shown and described.

DESCRIPTION

FIG. 1 is a front-right-top perspective view of a headset of the present invention;

FIG. 2 is a rear-right-bottom perspective view thereof;

FIG. 3 is a front view thereof;

FIG. 4 is a rear view thereof;

FIG. 5 is a left side view thereof;

FIG. 6 is a right side view thereof;

FIG. 7 is a top view thereof;

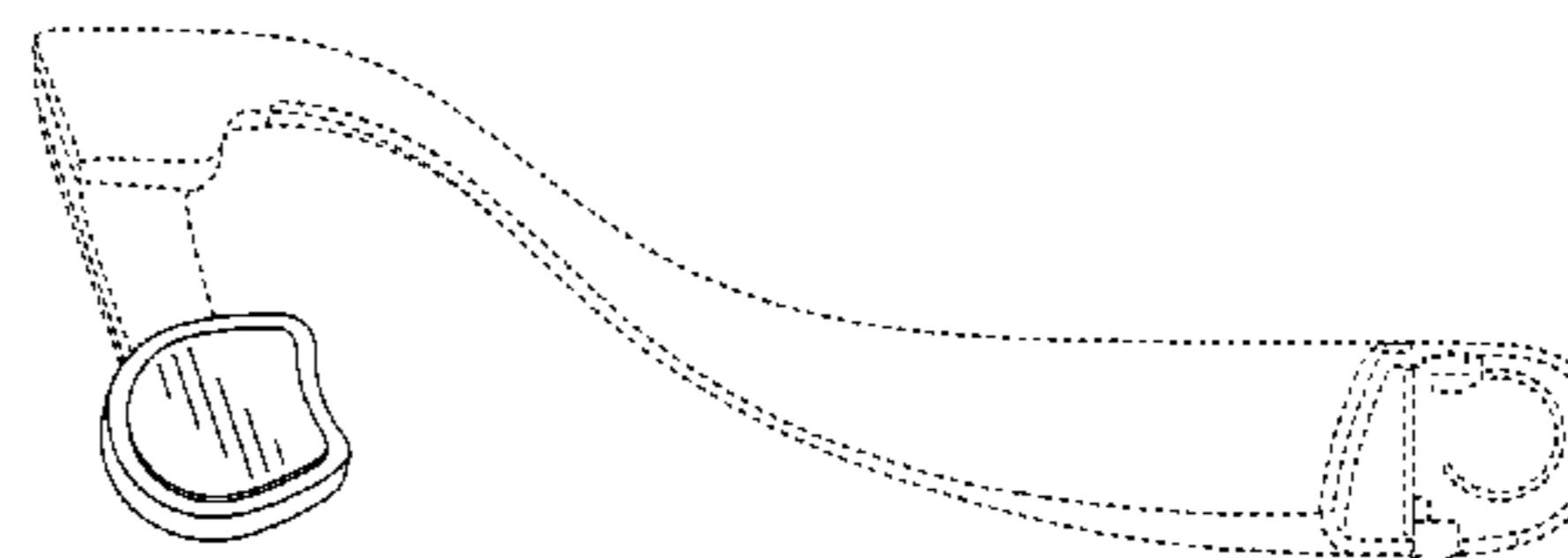
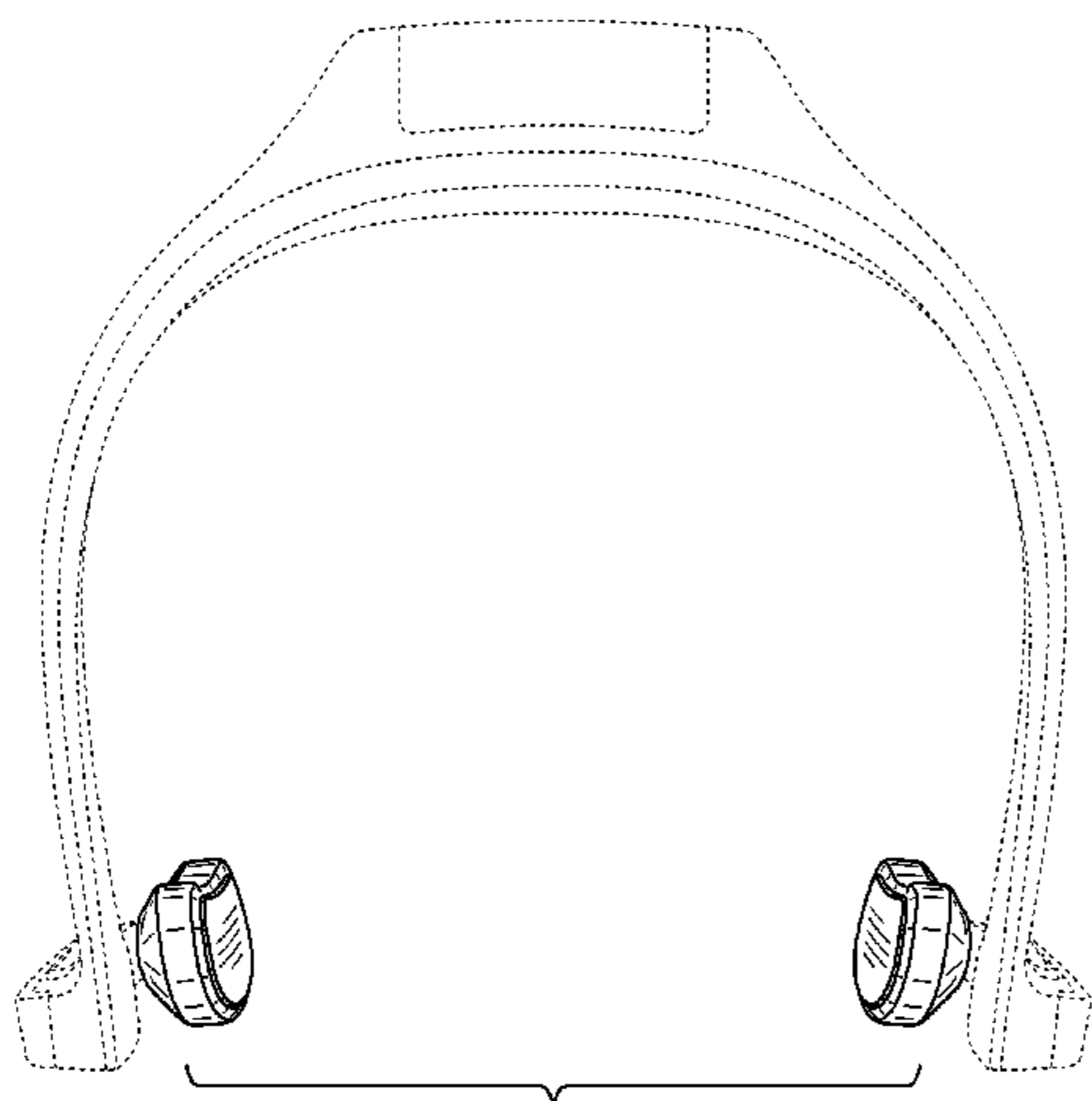
FIG. 8 is a bottom view thereof;

FIG. 9 is a front elevational view of the front right of the headset, the front left elevational view is a mirror image thereof; and,

FIG. 10 is a bottom view of FIG. 8 thereof.

The broken line showing of headset is included for the purpose of illustrating environment and forms no part of the claimed design.

1 Claim, 10 Drawing Sheets



(56)

References Cited

U.S. PATENT DOCUMENTS

D525,235 S *	7/2006	Koizumi	D14/205	D635,547 S *	4/2011	Komiyama	D14/205
D533,539 S *	12/2006	Mah	D14/205	D638,586 S *	5/2011	Aaskov et al.	D29/122
D557,685 S *	12/2007	Lee	D14/205	D643,830 S *	8/2011	Fish	D14/205
D575,268 S *	8/2008	Christopher et al.	D14/205	D645,444 S *	9/2011	Quek	D14/205
7,433,466 B2 *	10/2008	Mason	379/433.01	D669,881 S *	10/2012	Clements et al.	D14/205
D590,810 S *	4/2009	Komiyama	D14/205	8,363,875 B2 *	1/2013	Ito et al.	381/379
D593,538 S *	6/2009	Chon et al.	D14/205	D678,856 S *	3/2013	Feng et al.	D14/205
D594,442 S *	6/2009	Chon et al.	D14/205	D678,857 S *	3/2013	Feng et al.	D14/205
D604,269 S *	11/2009	Choe	D14/205	D678,858 S *	3/2013	Feng et al.	D14/205
D606,970 S *	12/2009	Semcken	D14/205	D695,264 S *	12/2013	Chee	D14/205
D617,308 S *	6/2010	Nousiainen et al.	D14/205	D695,723 S *	12/2013	Nakagawa	D14/223
				D696,227 S *	12/2013	Chee	D14/205
				2009/0052718 A1 *	2/2009	Ito et al.	381/380
				2011/0170702 A1 *	7/2011	Bays	381/74

* cited by examiner

FIG. 1

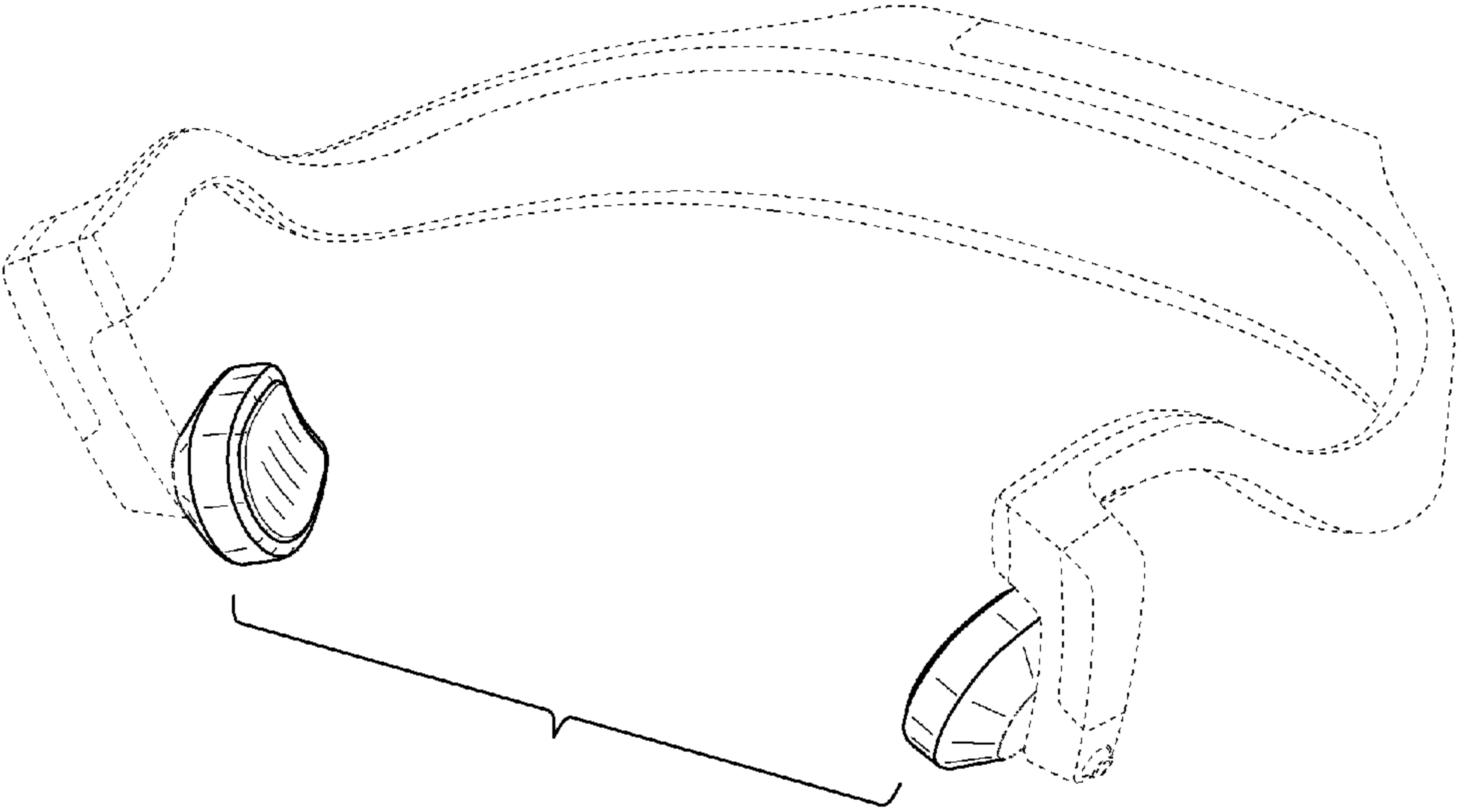


FIG. 2

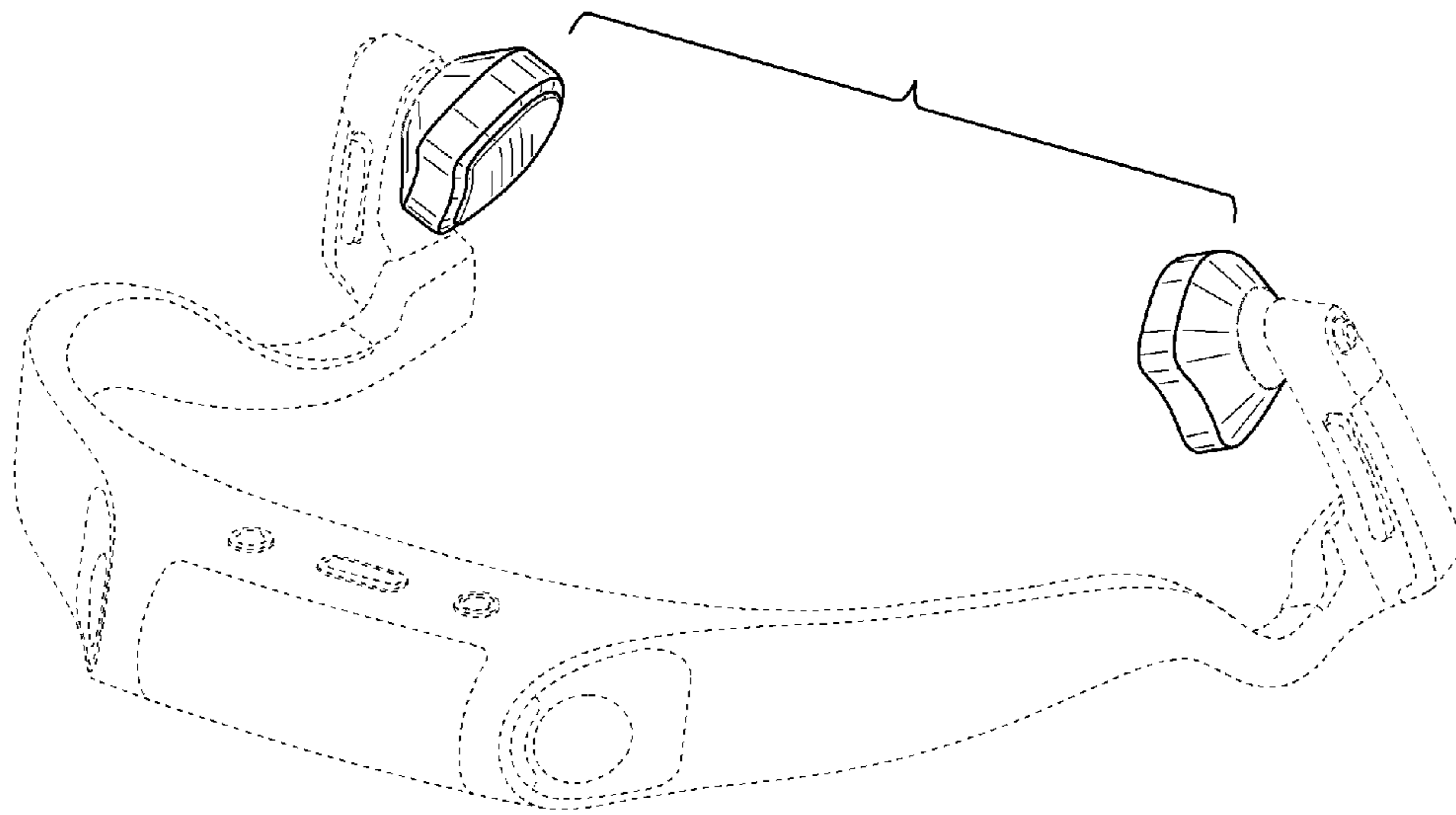


FIG. 3

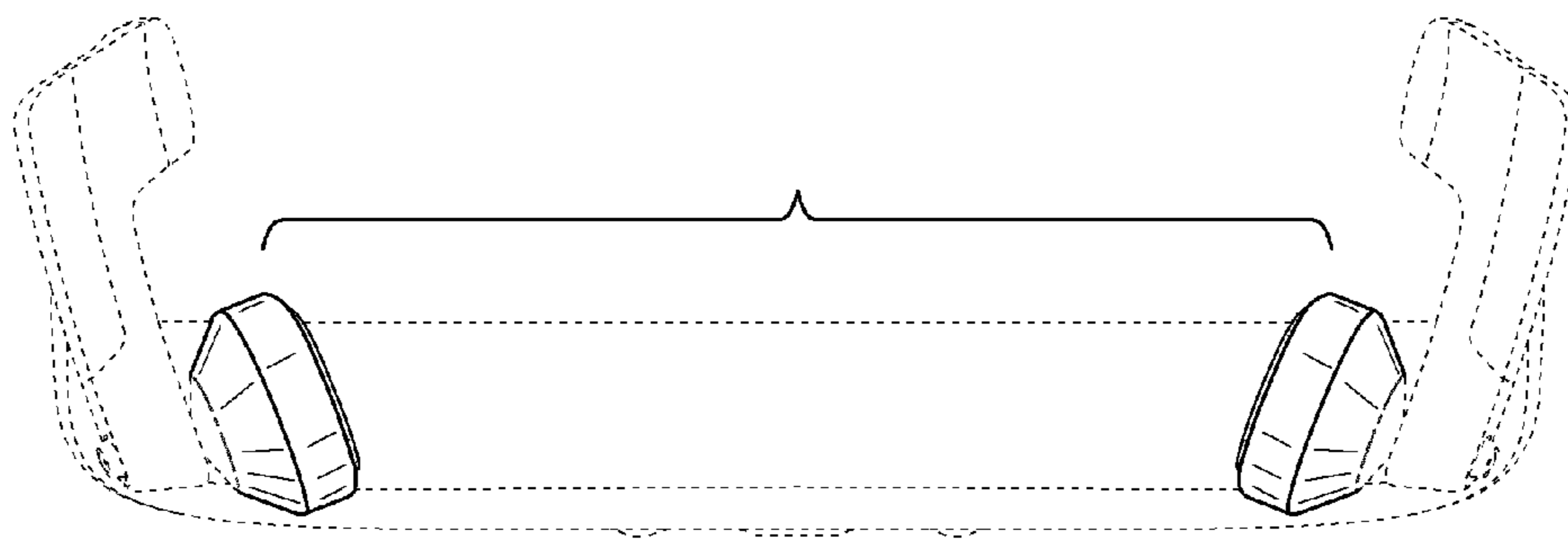


FIG. 4

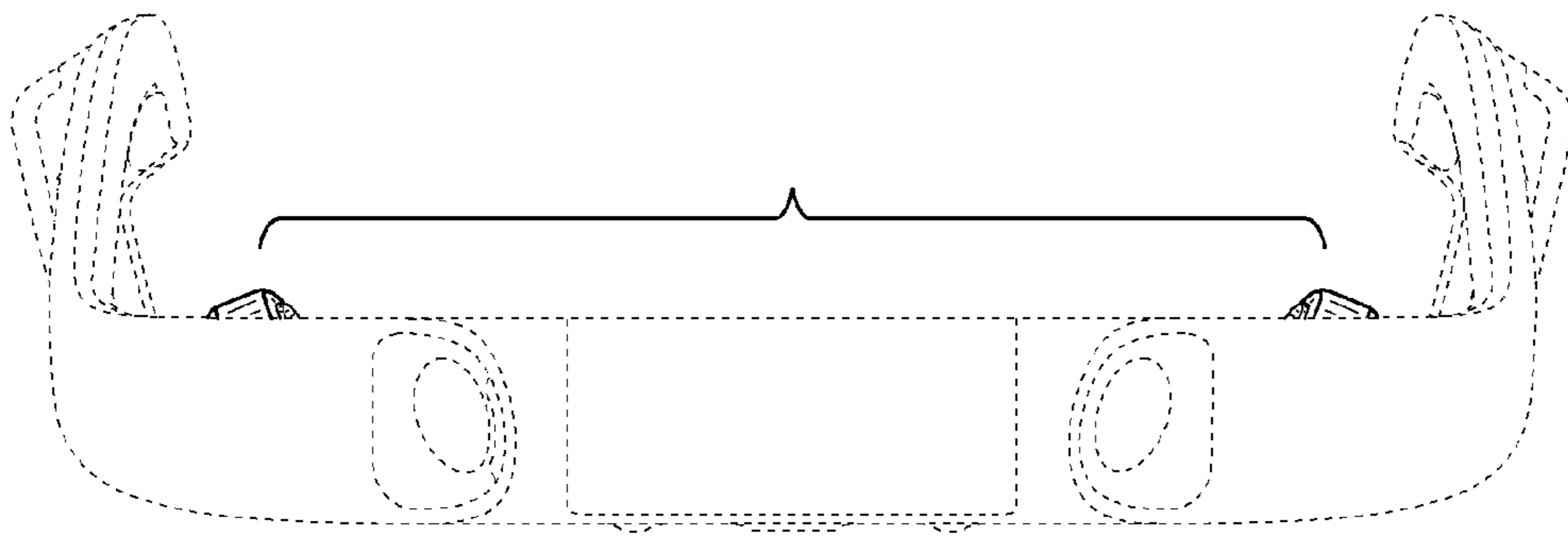


FIG. 5

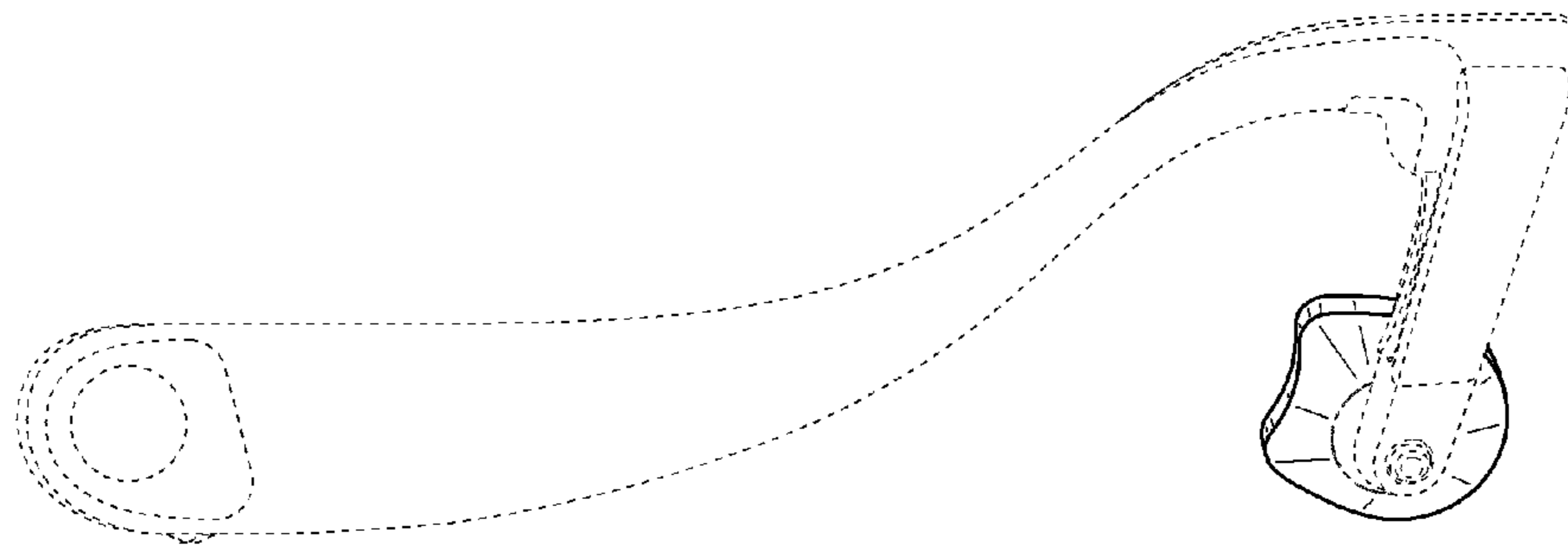


FIG. 6

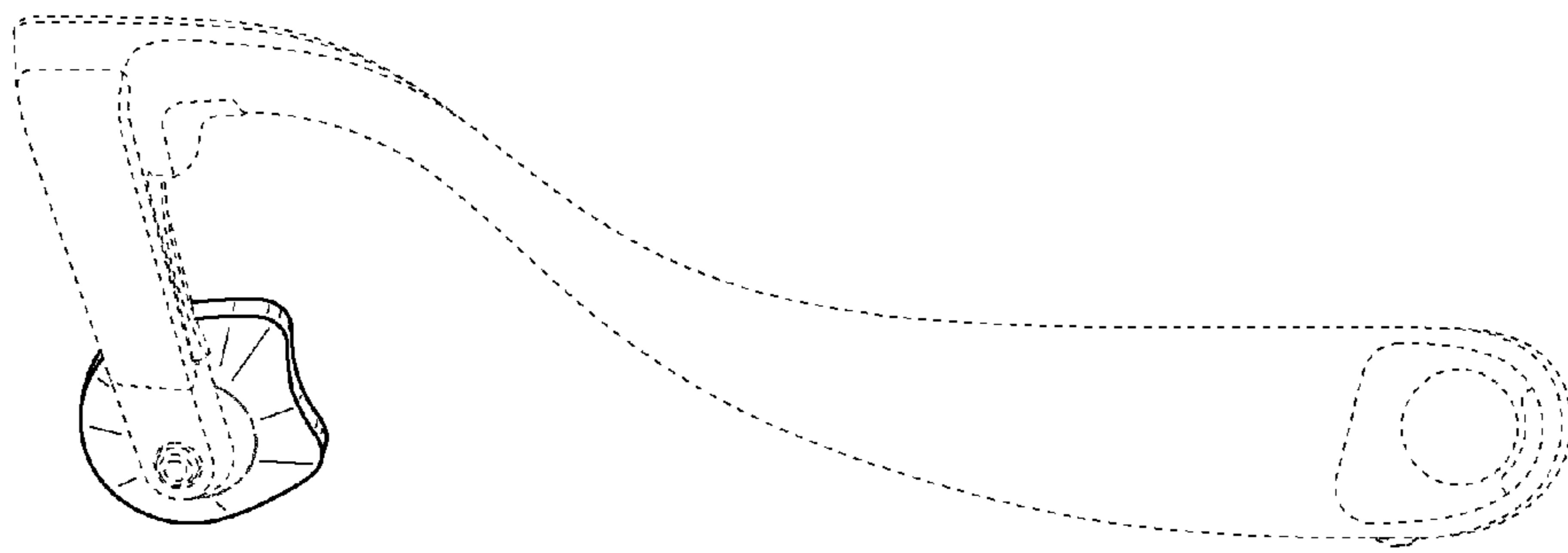


FIG. 7

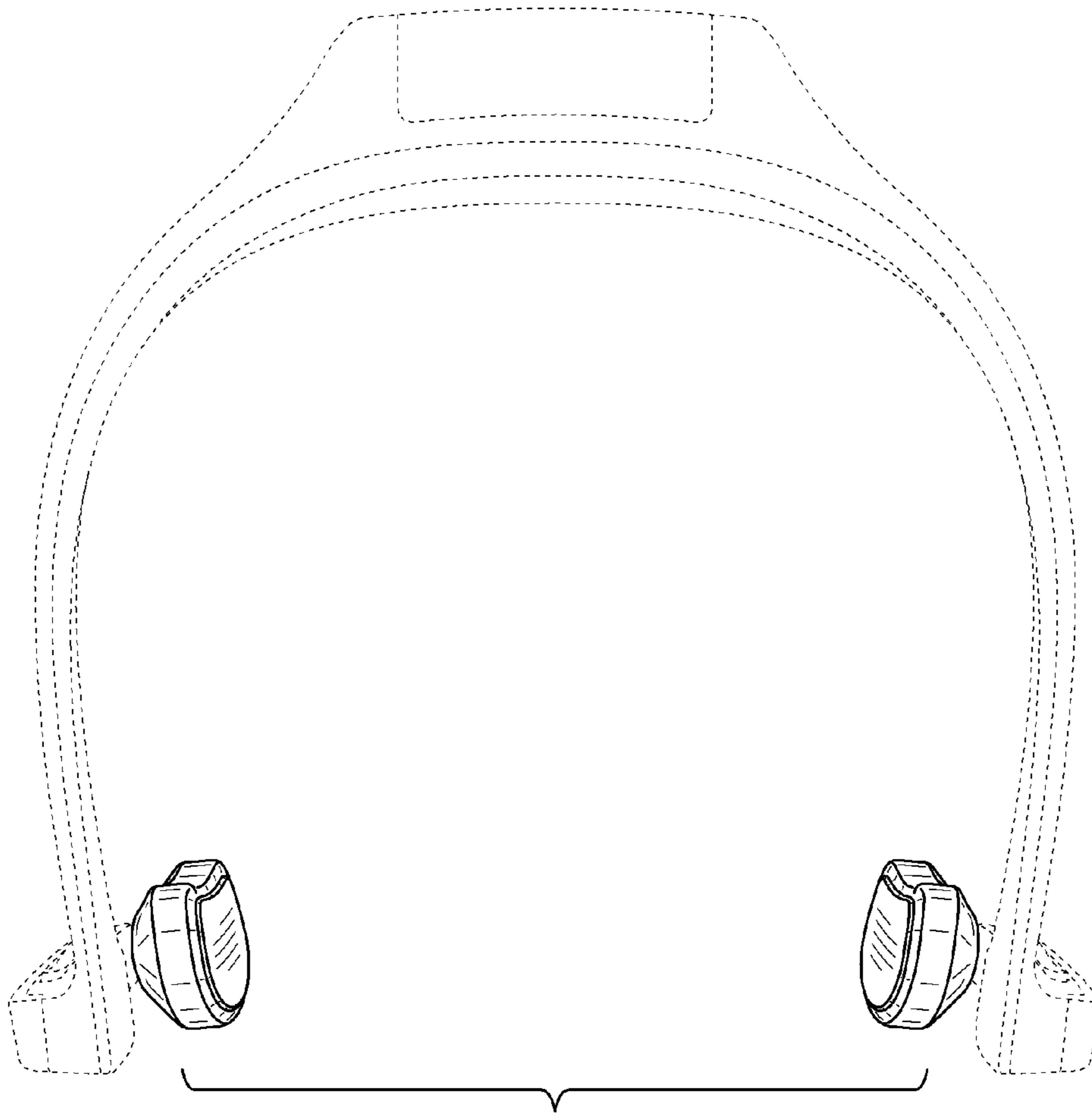


FIG. 8

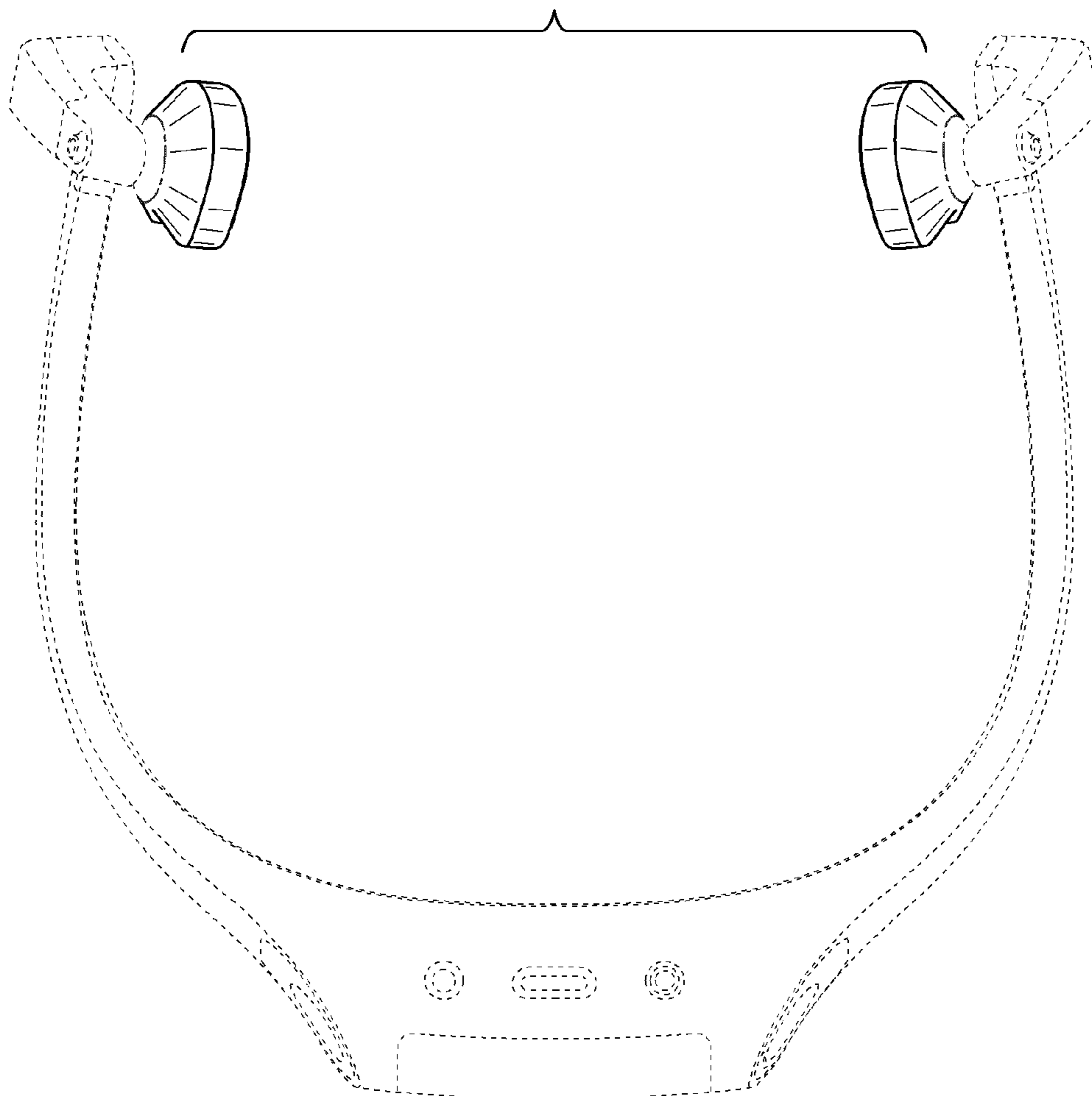


FIG. 9

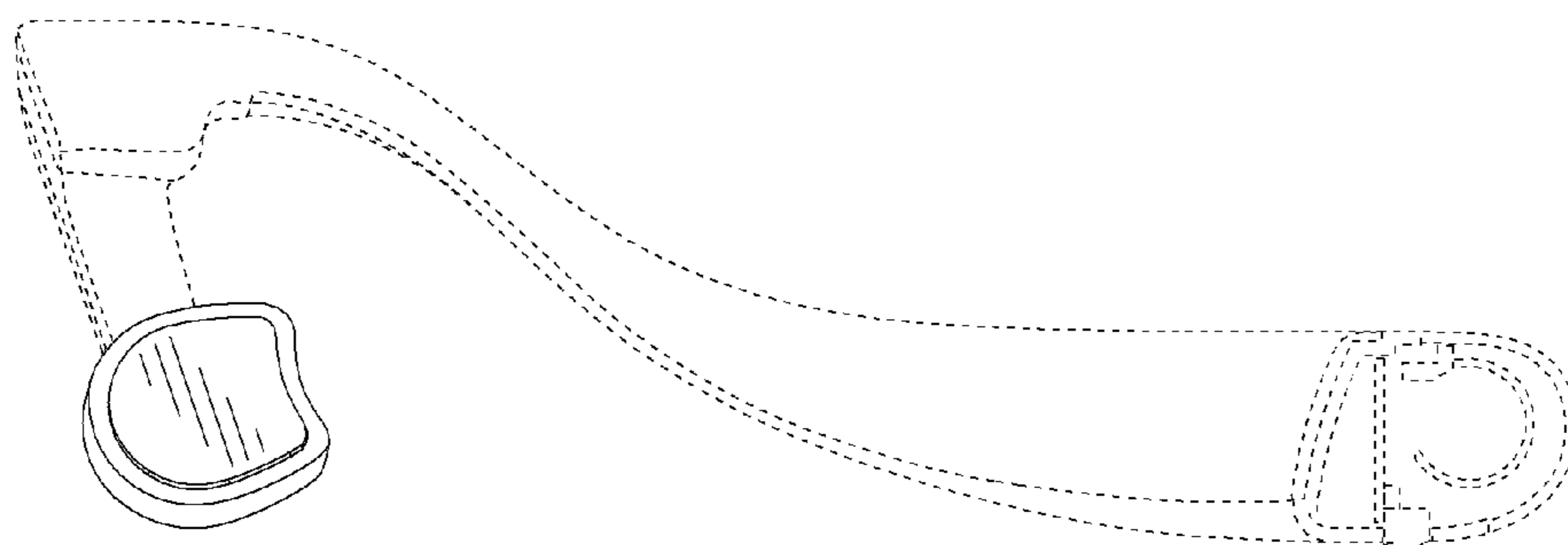


FIG. 10

