



US00D706745S

(12) **United States Design Patent**  
**Nakagawa**

(10) **Patent No.:** **US D706,745 S**  
(45) **Date of Patent:** **\*\* Jun. 10, 2014**

(54) **HEADSET**

(71) Applicant: **Panasonic Corporation**, Osaka (JP)

(72) Inventor: **Hitoshi Nakagawa**, Osaka (JP)

(73) Assignee: **Panasonic Corporation**, Osaka (JP)

(\*\*) Term: **14 Years**

(21) Appl. No.: **29/455,767**

(22) Filed: **May 24, 2013**

(30) **Foreign Application Priority Data**

Dec. 13, 2012 (JP) ..... 2012-030440

(51) **LOC (10) Cl.** ..... **14-01**

(52) **U.S. Cl.**

CPC ..... **H04R 1/1066** (2013.01)

USPC ..... **D14/205**

(58) **Field of Classification Search**

CPC ..... H04R 5/0335

USPC ..... D14/205, 206, 223, 188, 192, 496;

D29/112; 2/209; 181/129, 130, 135;

379/430, 431; 381/380, 381, 378;

345/7, 8

See application file for complete search history.

(56) **References Cited**

**U.S. PATENT DOCUMENTS**

D318,669 S \* 7/1991 Nakayama ..... D14/205

D319,241 S \* 8/1991 Daido et al. .... D14/205

D331,408 S \* 12/1992 Ellermeier ..... D14/205

D337,587 S \* 7/1993 Nakayama ..... D14/205

D368,716 S \* 4/1996 Shudo ..... D14/205

D371,558 S \* 7/1996 Yoshizawa ..... D14/205

D403,062 S \* 12/1998 Dix ..... D24/106

D421,014 S \* 2/2000 Smith ..... D14/205

D471,176 S \* 3/2003 Suzuki ..... D14/205

6,603,863 B1 \* 8/2003 Nagayoshi ..... 381/380

D525,235 S \* 7/2006 Koizumi ..... D14/205

D533,539 S \* 12/2006 Mah ..... D14/205

D575,268 S \* 8/2008 Christopher et al. .... D14/205

D590,810 S \* 4/2009 Komiyama ..... D14/205

D593,538 S \* 6/2009 Chon et al. .... D14/205

D594,442 S \* 6/2009 Chon et al. .... D14/205

D604,269 S \* 11/2009 Choe ..... D14/205

D617,308 S \* 6/2010 Nousiainen et al. .... D14/205

D643,830 S \* 8/2011 Fish ..... D14/205

D645,444 S \* 9/2011 Quek ..... D14/205

(Continued)

**FOREIGN PATENT DOCUMENTS**

JP D1337836 8/2008

*Primary Examiner* — Paula Greene

(74) *Attorney, Agent, or Firm* — Panasonic Patent Center

(57) **CLAIM**

I claim the ornamental design for a headset, as shown and described.

**DESCRIPTION**

FIG. 1 is a front-right-top perspective view of a headset of the present invention;

FIG. 2 is a rear-right-bottom perspective view thereof;

FIG. 3 is a front view thereof;

FIG. 4 is a rear view thereof;

FIG. 5 is a left side view thereof;

FIG. 6 is a right side view thereof;

FIG. 7 is a top view thereof;

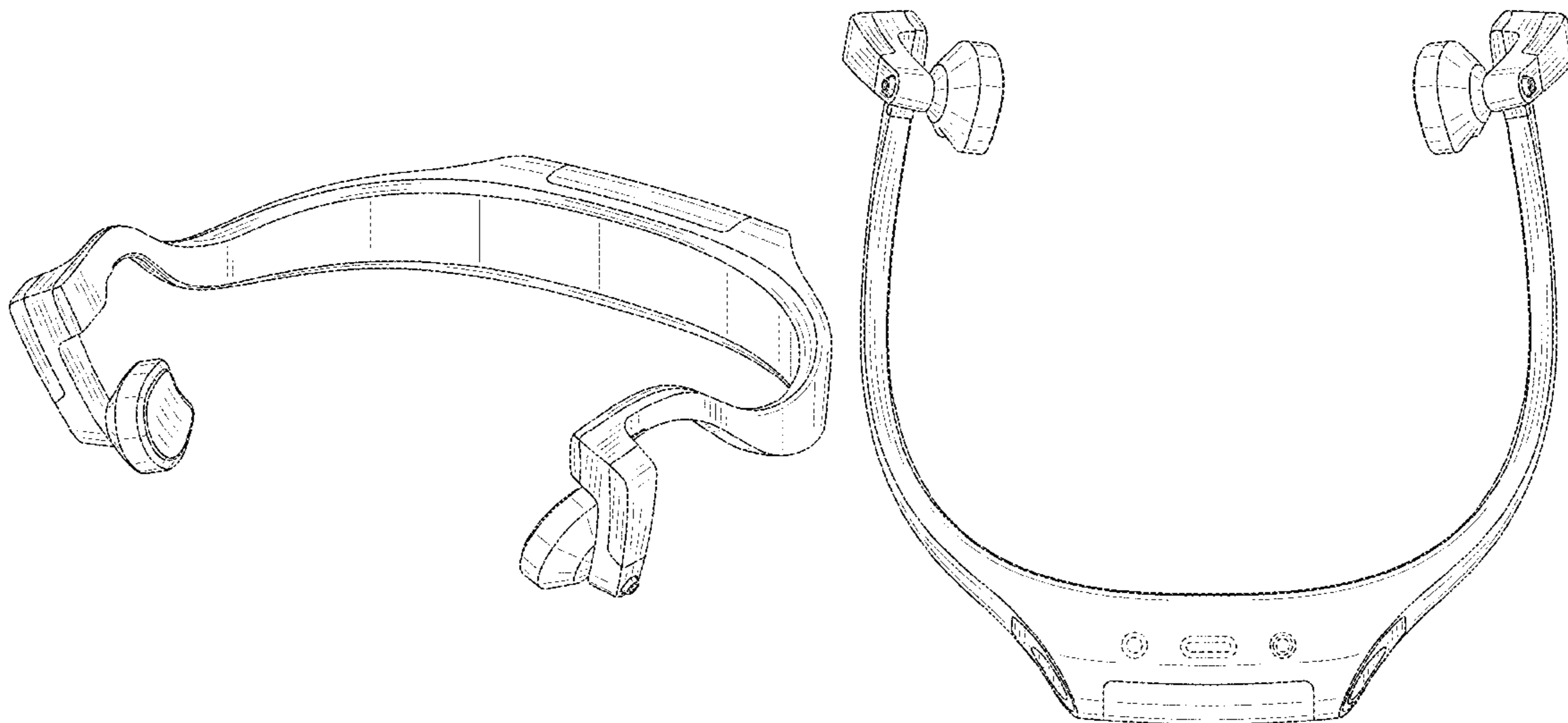
FIG. 8 is a bottom view thereof;

FIG. 9 is a cross-sectional view taken along the line 9-9 of FIG. 3 with the internal parts being omitted; and,

FIG. 10 is a cross-sectional view taken along the line 10-10 of FIG. 6 with the internal parts being omitted.

The broken line showing of headset is included for the purpose of illustrating environment and forms no part of the claimed design.

**1 Claim, 10 Drawing Sheets**



(56)

**References Cited**

U.S. PATENT DOCUMENTS

D669,881	S *	10/2012	Clements et al.	.....	D14/205	D678,858	S *	3/2013	Feng et al.	.....	D14/205
8,363,875	B2 *	1/2013	Ito et al.	.....	381/379	D695,264	S *	12/2013	Chee	.....	D14/205
D678,856	S *	3/2013	Feng et al.	.....	D14/205	D695,723	S *	12/2013	Nakagawa	.....	D14/223
D678,857	S *	3/2013	Feng et al.	.....	D14/205	D696,227	S *	12/2013	Chee	.....	D14/205
						2006/0088171	A1 *	4/2006	Yeh	.....	381/74
						2009/0052718	A1 *	2/2009	Ito et al.	.....	381/380
						2011/0170702	A1 *	7/2011	Bays	.....	381/74

\* cited by examiner

FIG. 1

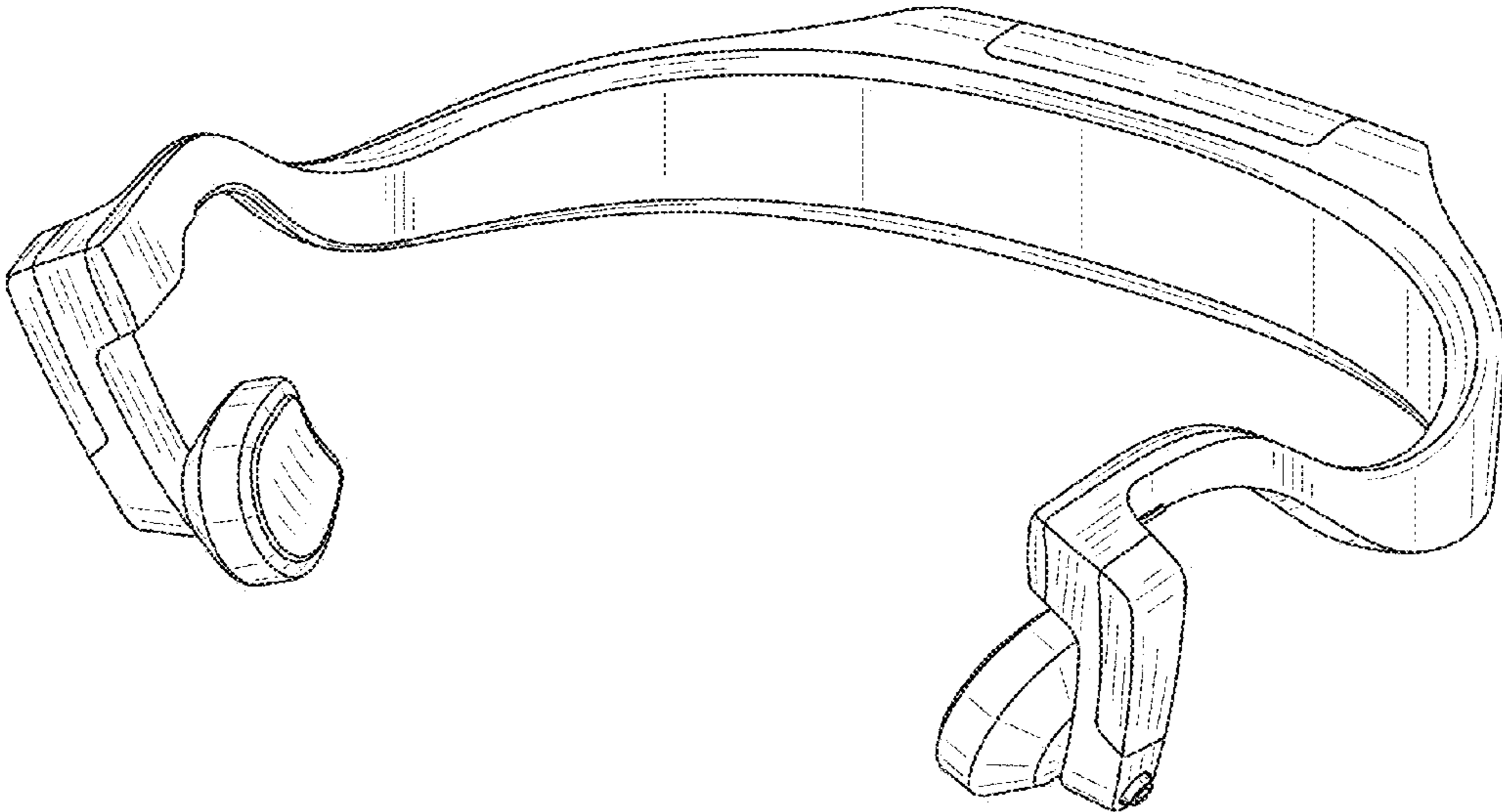


FIG. 2

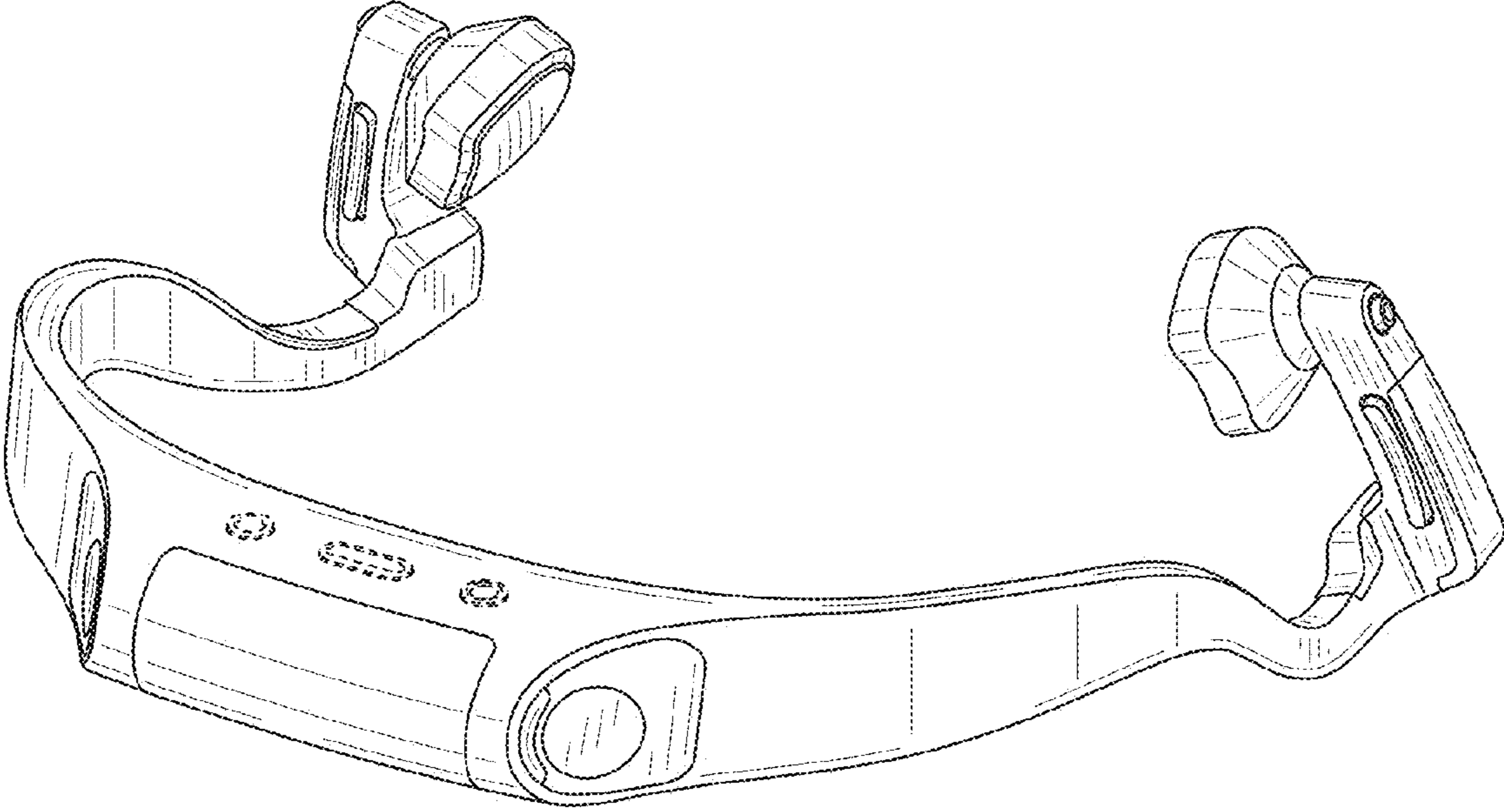


FIG. 3



FIG. 4

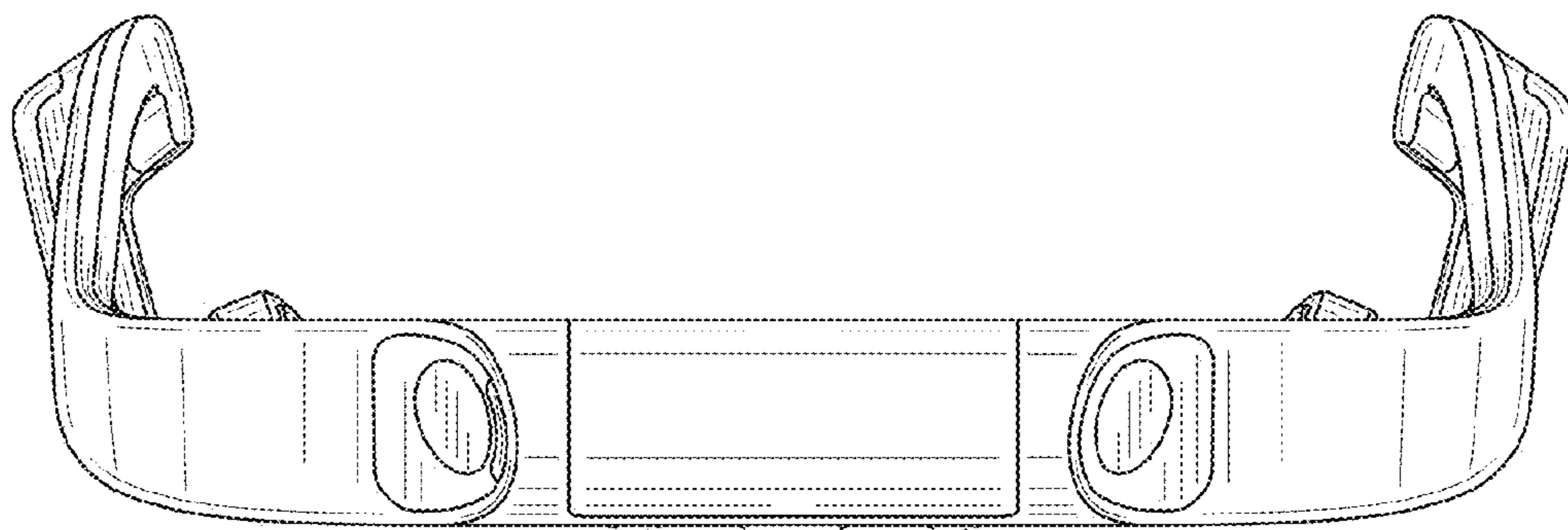


FIG. 5

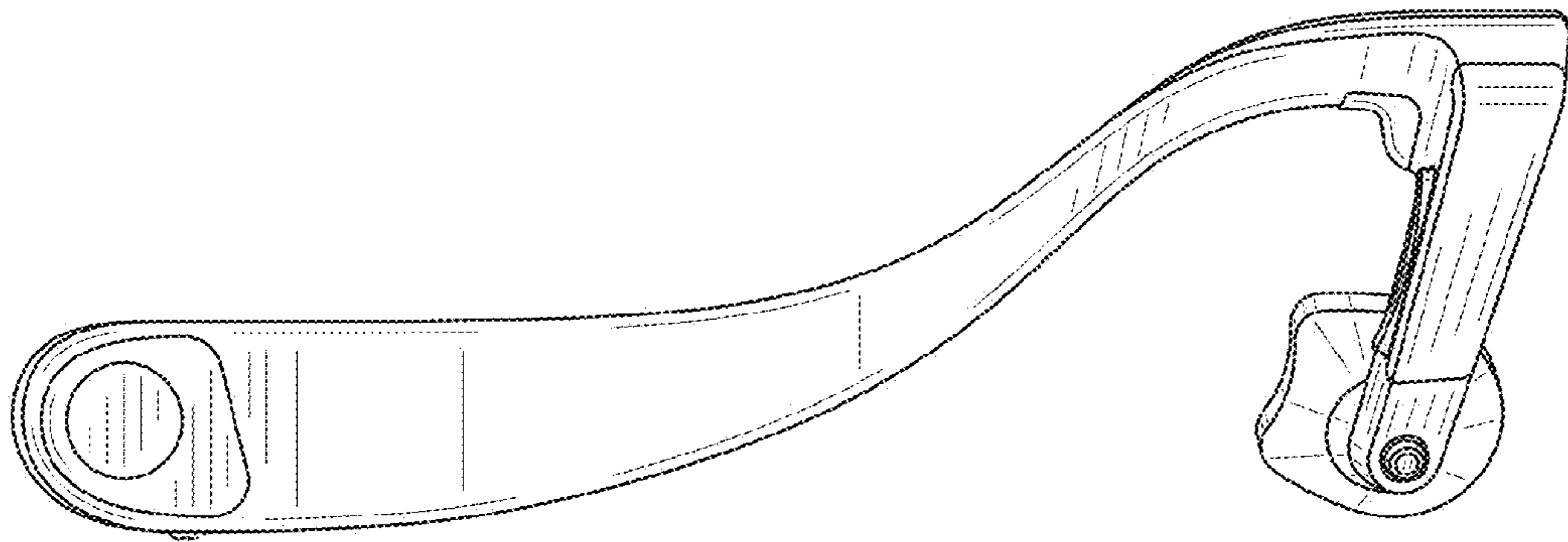


FIG. 6

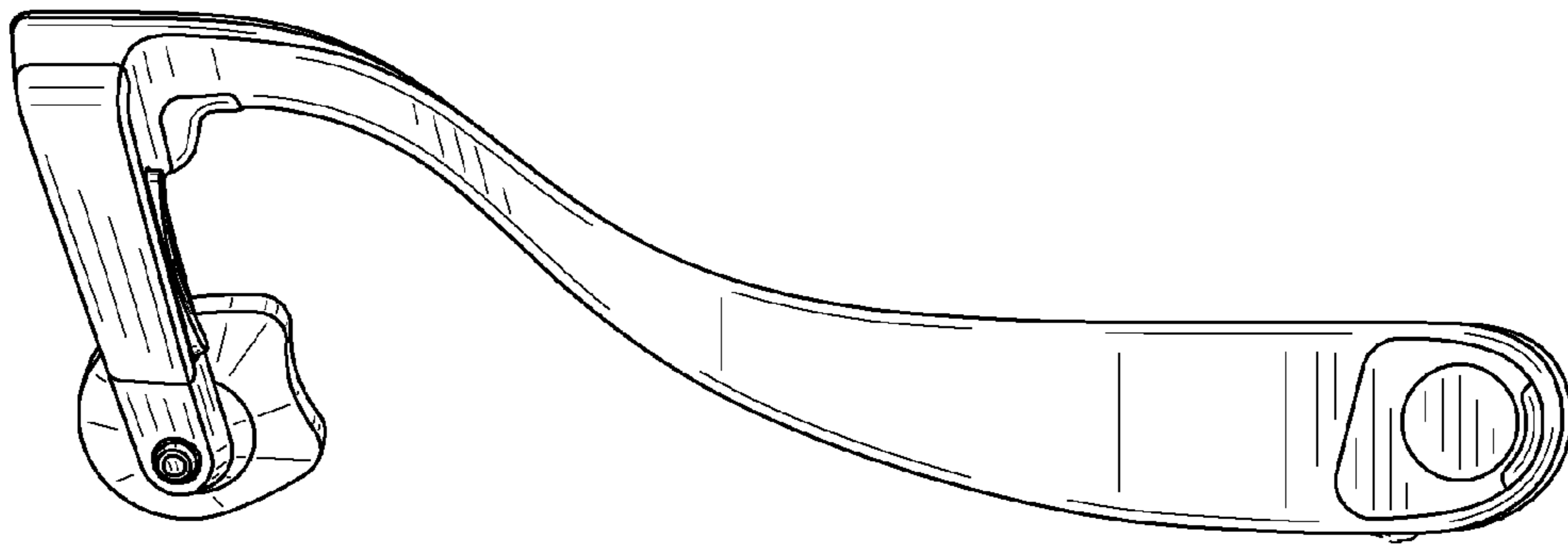




FIG. 7

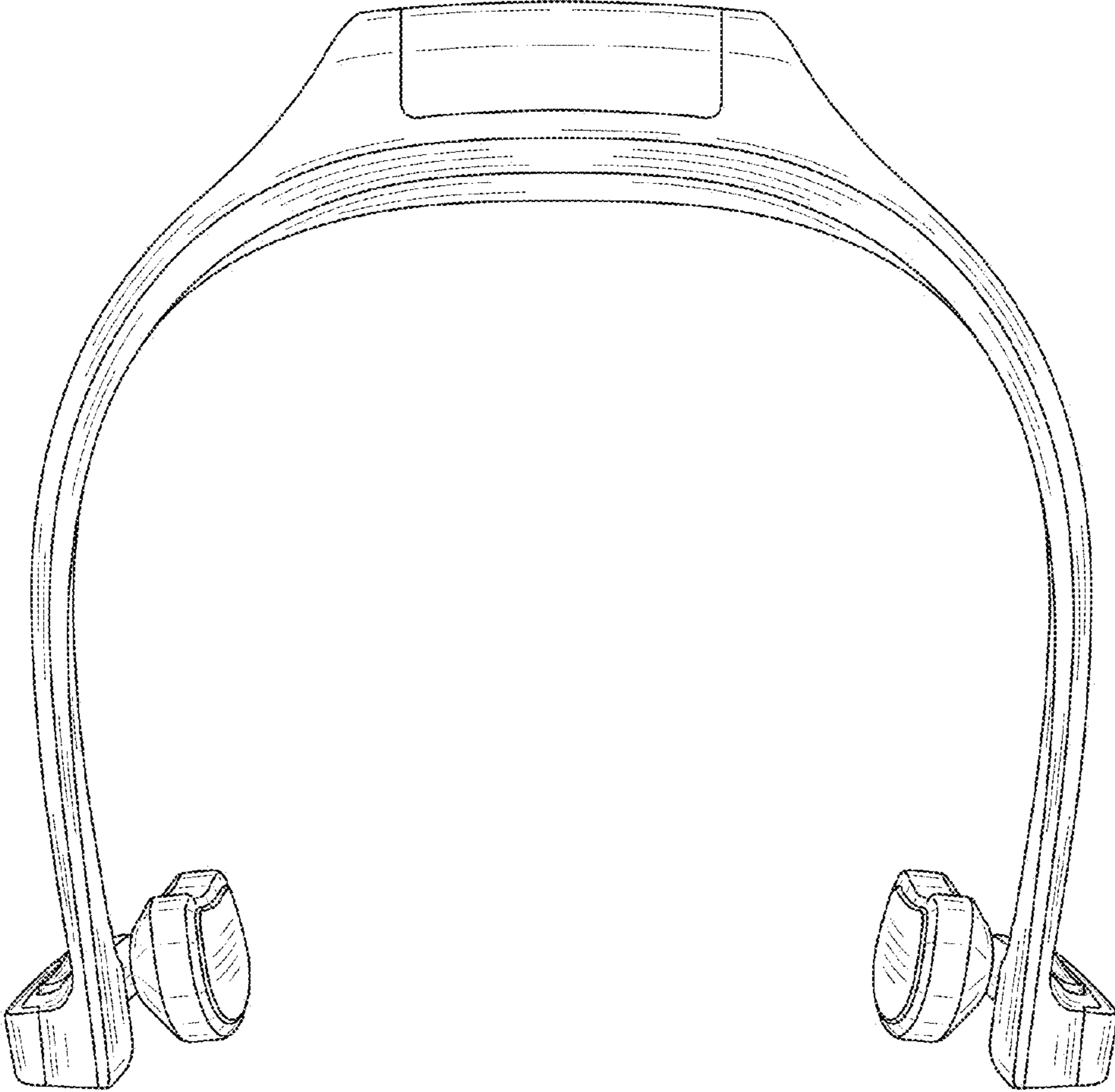


FIG. 8

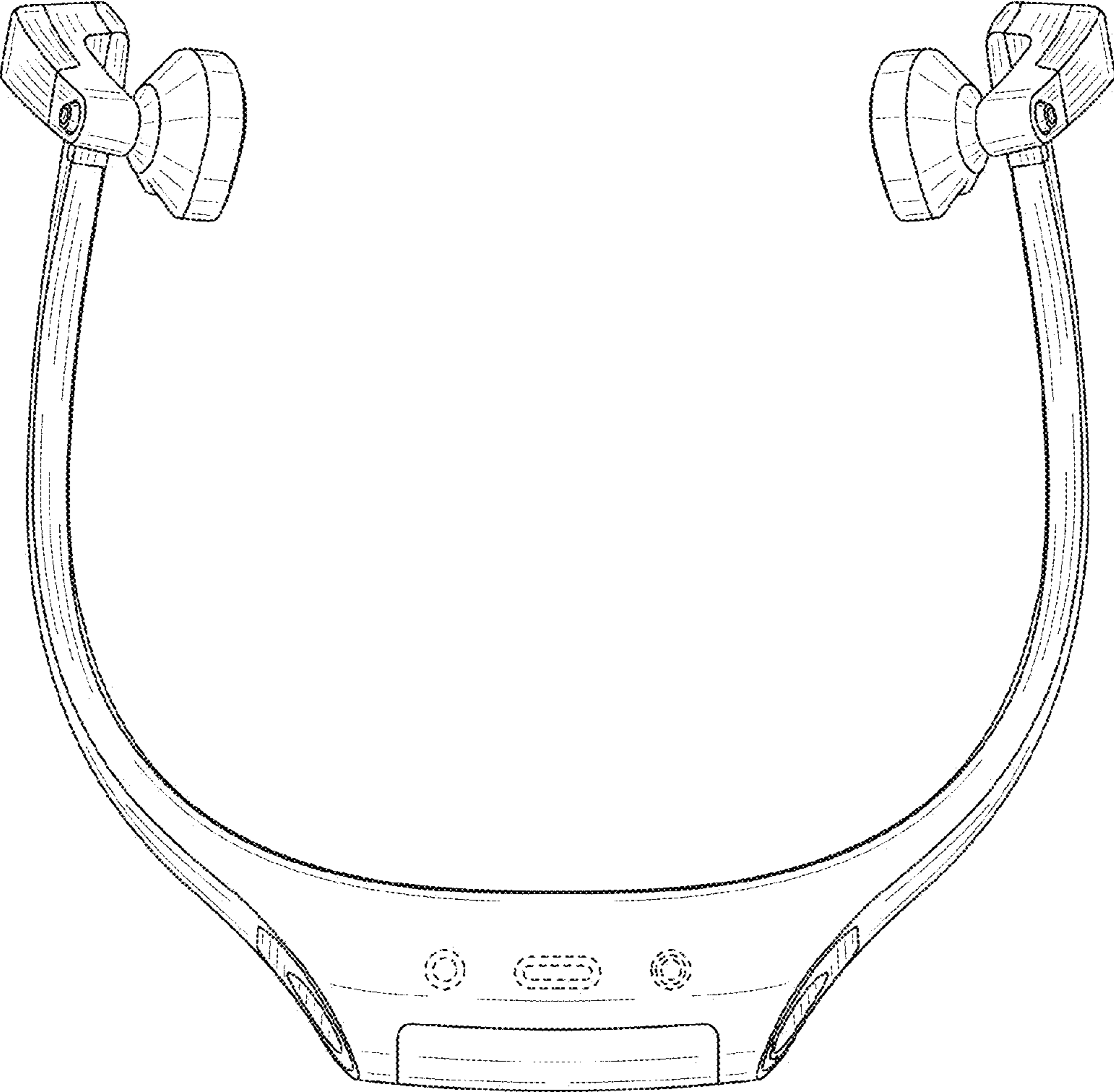


FIG. 9

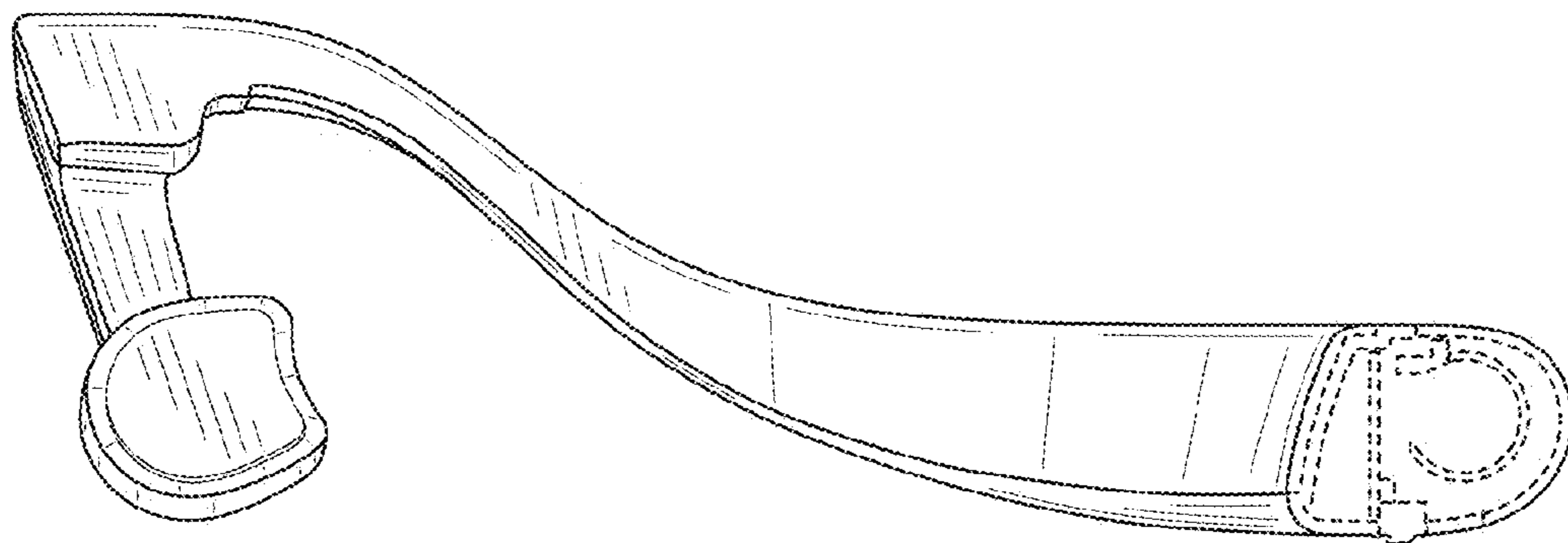


FIG. 10

