



US00D706744S

(12) **United States Design Patent**
Yang

(10) **Patent No.:** **US D706,744 S**
(45) **Date of Patent:** **** Jun. 10, 2014**

(54) **HEADPHONE**
(71) Applicant: **Bill Yang**, Taipei (TW)
(72) Inventor: **Bill Yang**, Taipei (TW)
(73) Assignee: **Cotron Corporation**, Taipei (TW)
(**) Term: **14 Years**
(21) Appl. No.: **29/452,869**
(22) Filed: **Apr. 23, 2013**
(51) **LOC (10) Cl.** **14-01**
(52) **U.S. Cl.**
CPC **H04R 1/10** (2013.01)
USPC **D14/205**
(58) **Field of Classification Search**
CPC H04R 1/1066
USPC D14/205, 188, 192; D29/112; 2/209;
181/129, 130, 135; 379/430, 431;
381/380, 381, 374, 379, 378, 383;
455/90.3, 575.1
See application file for complete search history.

D510,335 S *	10/2005	Suzuki	D14/205
D517,054 S *	3/2006	Yang	D14/223
D540,302 S *	4/2007	Hagiwara et al.	D14/205
D570,824 S *	6/2008	Schultz et al.	D14/205
D589,932 S *	4/2009	Komiyama	D14/205
D592,182 S *	5/2009	Sanguinetti	D14/205
D597,070 S *	7/2009	Zheng	D14/205
7,720,246 B2 *	5/2010	Wang et al.	381/383
D633,895 S *	3/2011	Morimoto	D14/205
D643,405 S *	8/2011	Rath	D14/206
D662,080 S *	6/2012	Carr et al.	D14/205
D684,140 S *	6/2013	Enquist et al.	D14/205
D684,558 S *	6/2013	Hansson et al.	D14/205

* cited by examiner

Primary Examiner — Paula Greene

(74) Attorney, Agent, or Firm — Jianq Chyun IP Office

(57) **CLAIM**

The ornamental design for a headphone, as shown and described.

DESCRIPTION

FIG. 1 is a perspective view of a headphone showing my new design;
FIG. 2 is another perspective view thereof;
FIG. 3 is a front view thereof;
FIG. 4 is a rear view thereof;
FIG. 5 is a left side view thereof;
FIG. 6 is a right side view thereof;
FIG. 7 is a top view thereof; and,
FIG. 8 is a bottom view thereof.
The broken line portions of the headphone in FIGS. 1-8 represent unclaimed portions of the claimed design and form no part thereof.

1 Claim, 7 Drawing Sheets

(56) **References Cited**

U.S. PATENT DOCUMENTS

1,483,315 A *	2/1924	Saal	381/378
2,420,245 A *	5/1947	Hurst	2/209
2,782,423 A *	2/1957	Simon et al.	2/209
3,505,684 A *	4/1970	Hutchinson et al.	2/209
D223,256 S *	4/1972	Thomson	D14/205
4,546,215 A *	10/1985	Ferraro	381/374
4,572,323 A *	2/1986	Randall	181/129
D347,845 S *	6/1994	Sumikawa	D14/205
D399,206 S *	10/1998	Yasutomi et al.	D14/205
6,868,164 B2 *	3/2005	Ito et al.	381/370



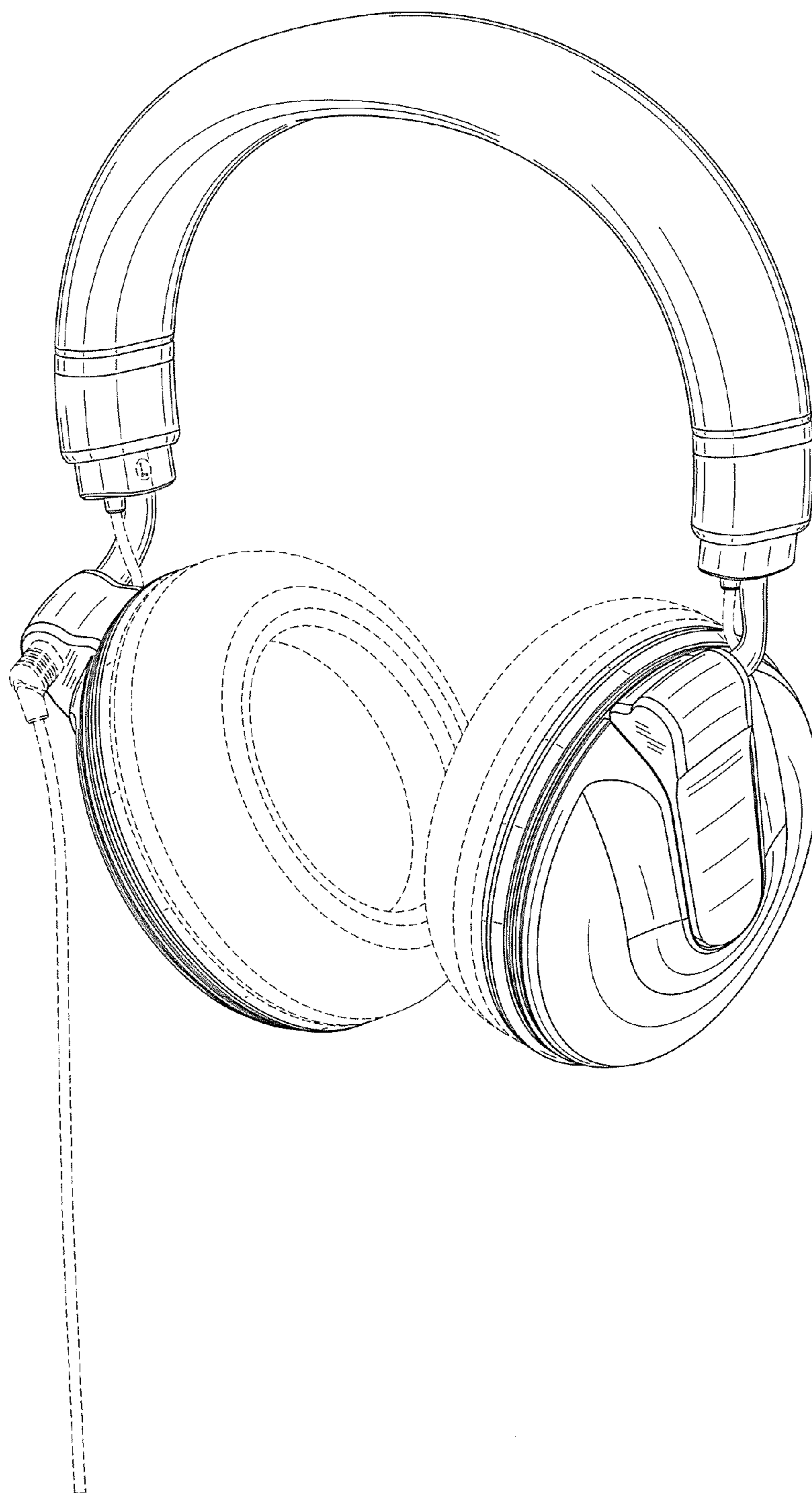


FIG. 1

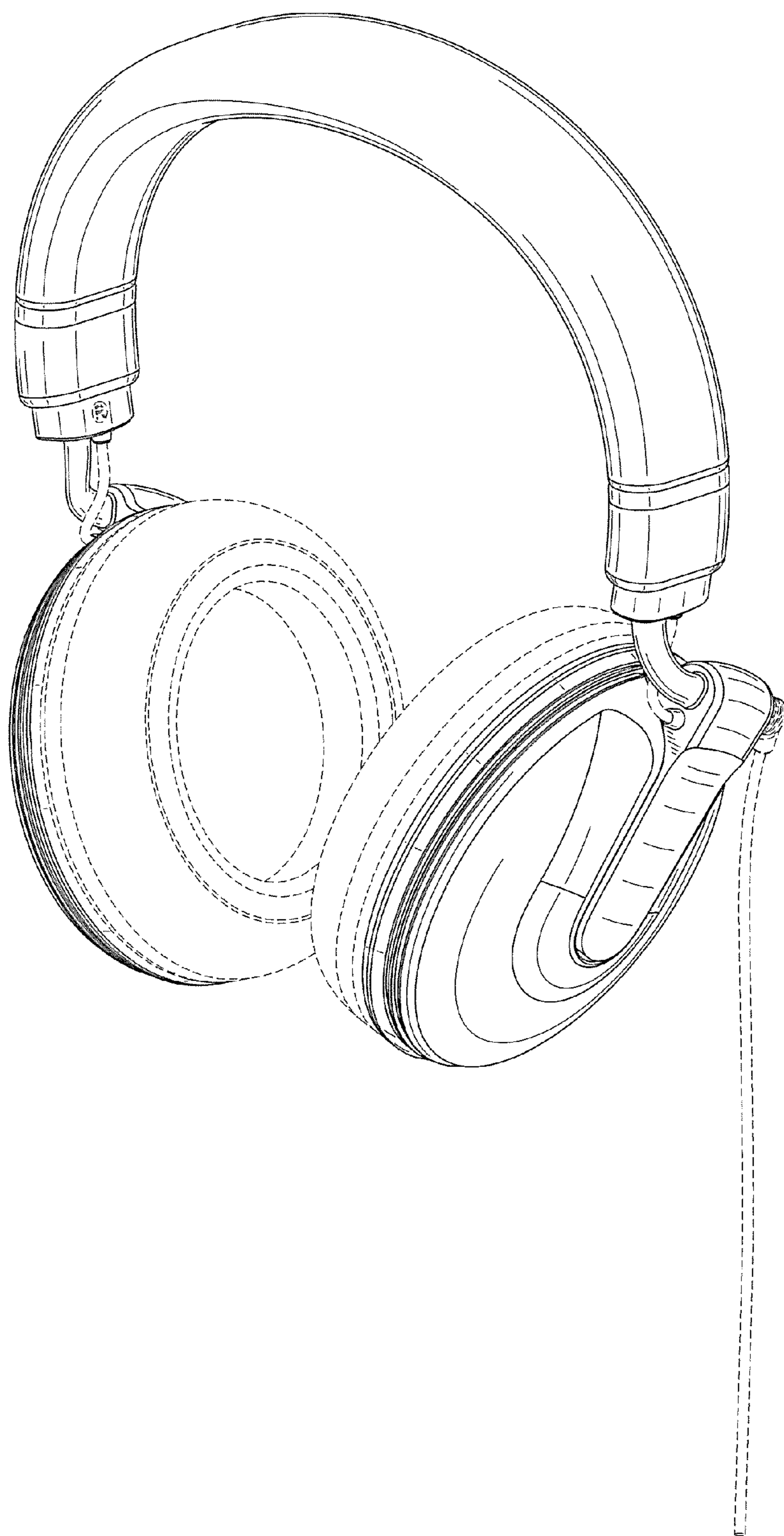


FIG. 2

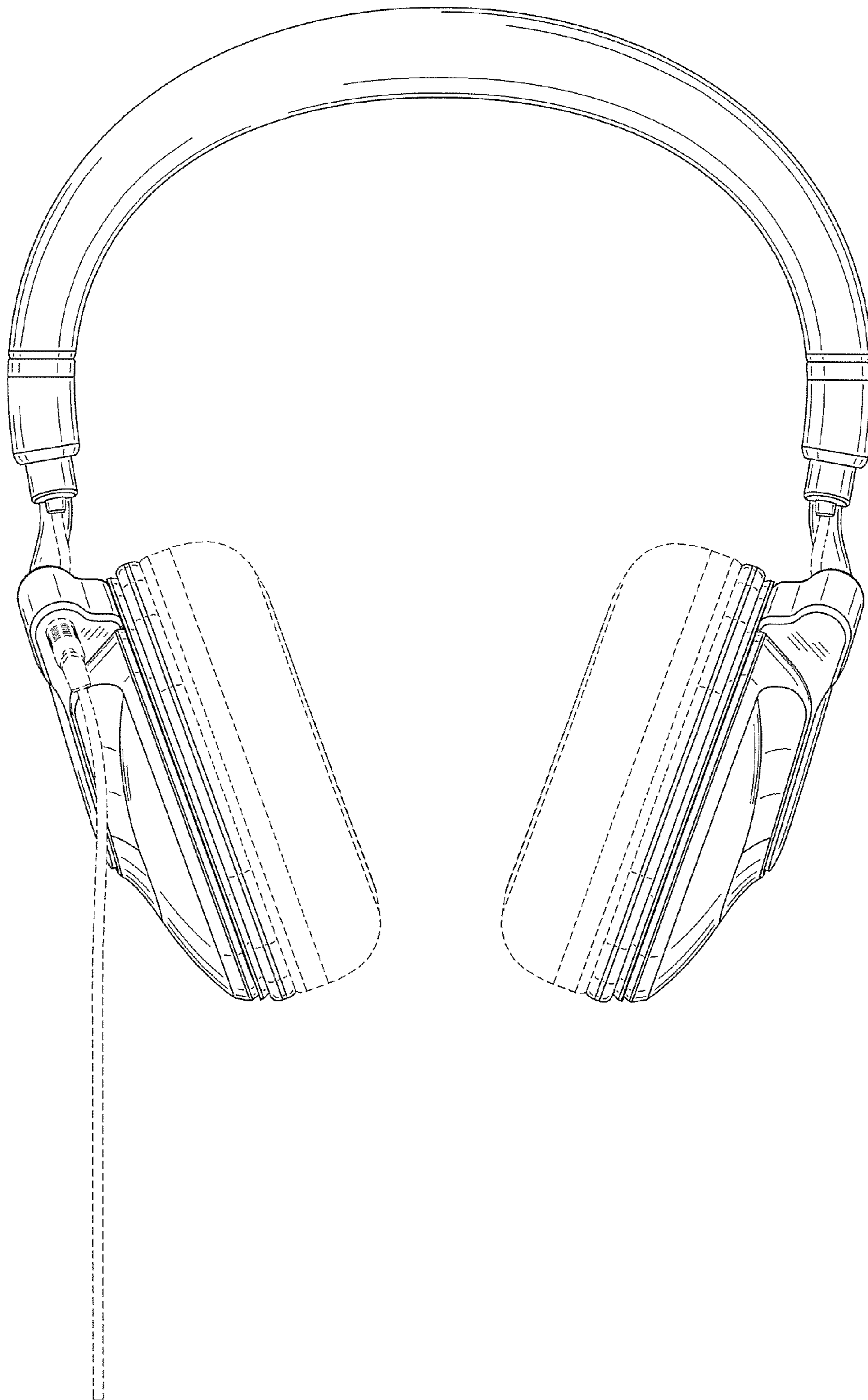


FIG. 3

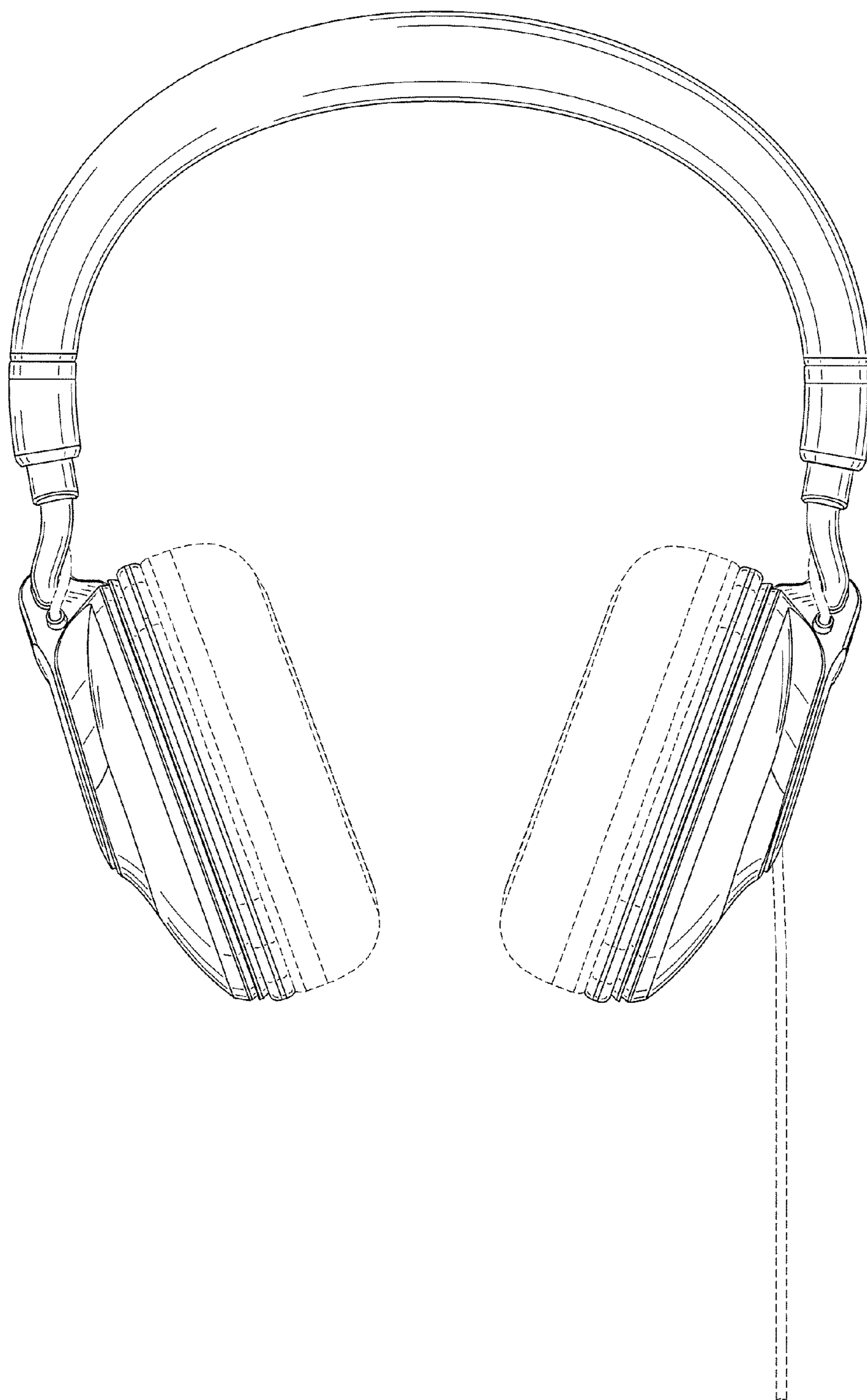


FIG. 4

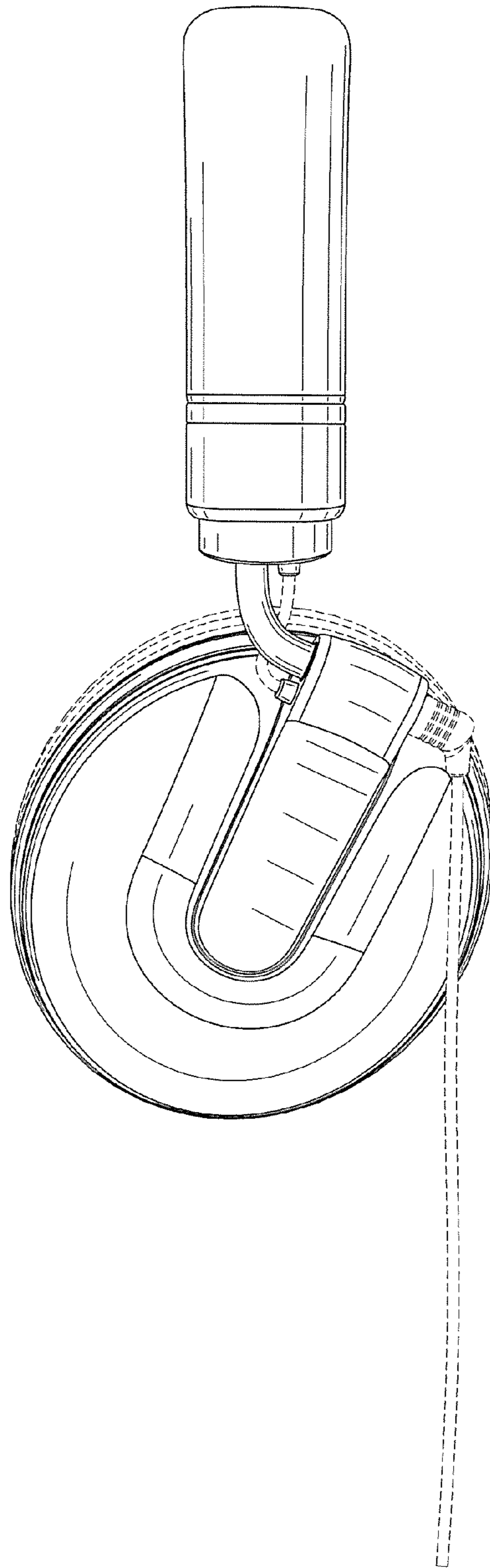


FIG. 5

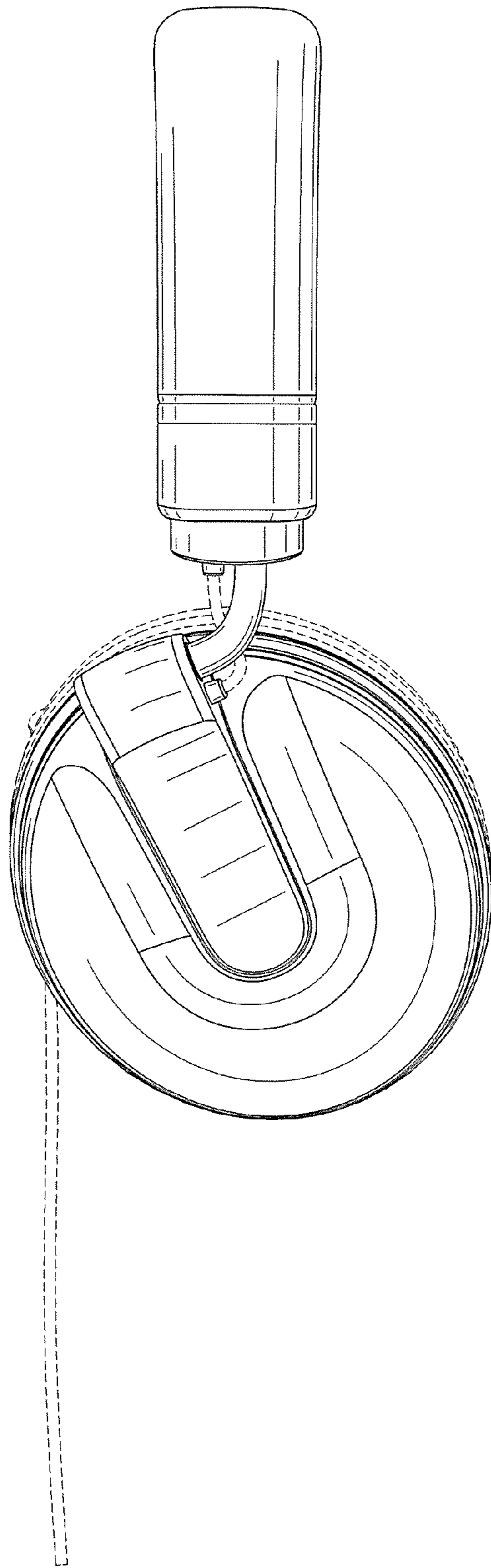


FIG. 6

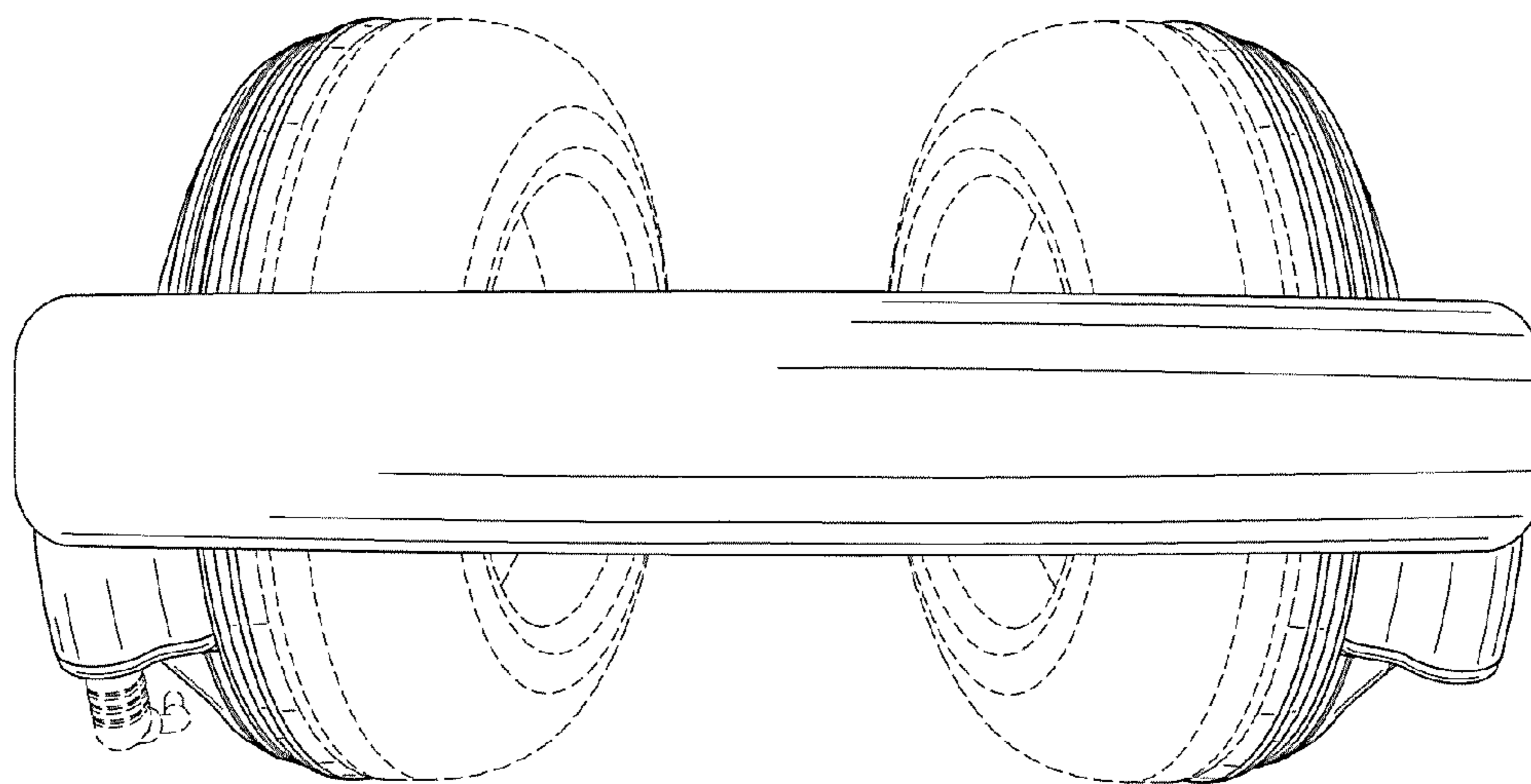


FIG. 7

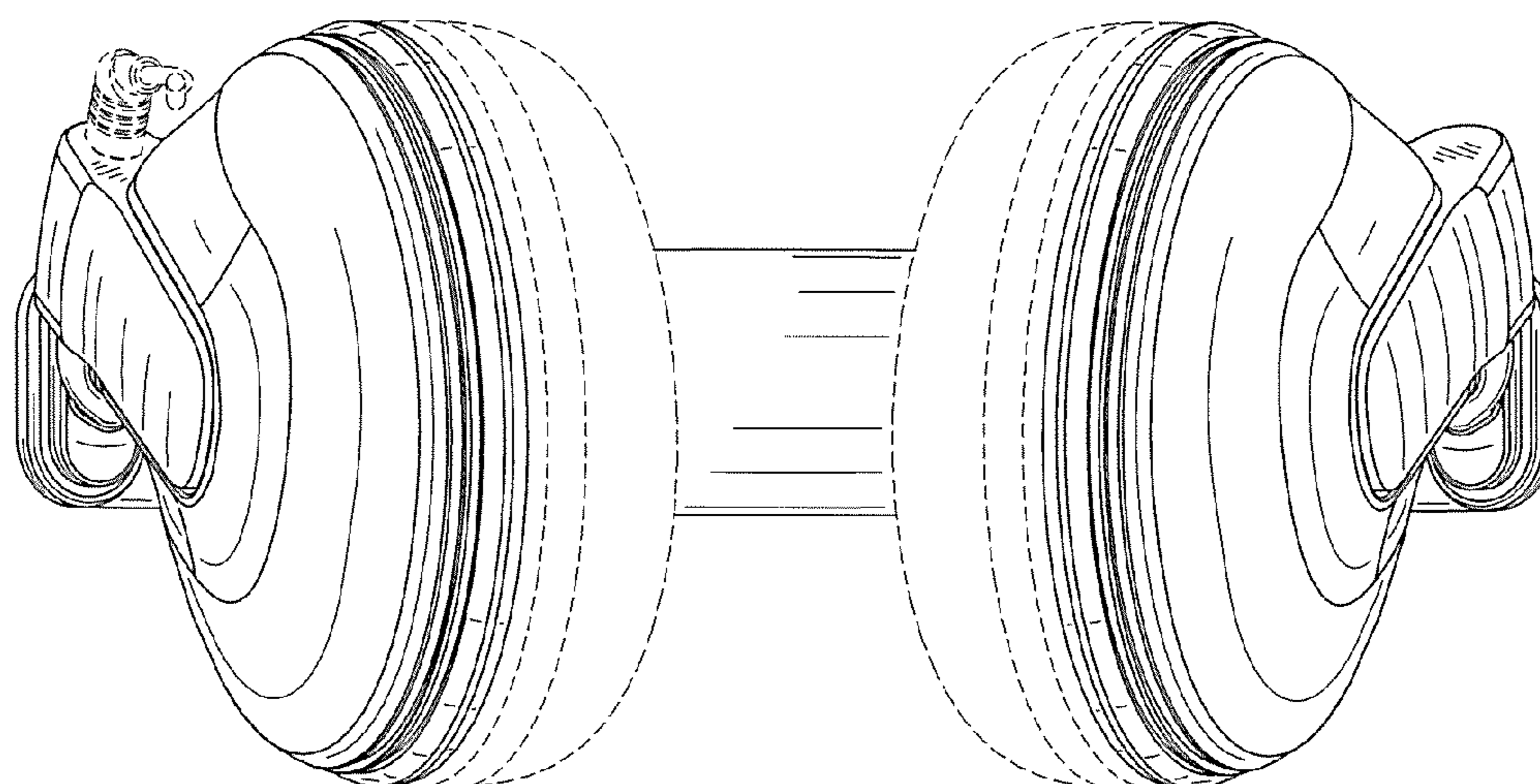


FIG. 8