



US00D706742S

(12) **United States Design Patent**
Contello

(10) **Patent No.:** **US D706,742 S**
(45) **Date of Patent:** **** Jun. 10, 2014**

(54) **VIBRATING PAGER FOR MOBILE PHONES**

(71) Applicant: **John Contello**, Hazlet, NJ (US)

(72) Inventor: **John Contello**, Hazlet, NJ (US)

(**) Term: **14 Years**

(21) Appl. No.: **29/433,074**

(22) Filed: **Sep. 25, 2012**

(51) **LOC (10) Cl.** **14-03**

(52) **U.S. Cl.**
USPC **D14/191**

(58) **Field of Classification Search**
CPC G08B 3/00; G08B 3/1008; G08B 3/1025;
G08B 3/1058; H04M 11/022; H04N 7/147;
H05K 5/00
USPC D14/135, 137, 139, 155, 157, 188, 191,
D14/197, 198, 299; 455/90.1-90.3,
455/3.01-3.06, 91, 95, 100, 128, 351;
340/7.1, 7.2, 7.57, 7.6, 7.62, 7.63
See application file for complete search history.

(56) **References Cited**

U.S. PATENT DOCUMENTS

| | | | | |
|-----------------|---------|-------------------|-------|---------|
| D401,239 S * | 11/1998 | Delong | | D14/191 |
| D423,010 S * | 4/2000 | Wicks | | D14/191 |
| 6,600,937 B1 | 7/2003 | Horngren | | |
| D482,018 S * | 11/2003 | Christianson | | D14/191 |
| D483,738 S * | 12/2003 | Lovegreen et al. | | D14/191 |
| D507,257 S * | 7/2005 | Lovegreen et al. | | D14/191 |
| D519,099 S * | 4/2006 | Liu et al. | | D14/155 |
| D528,031 S * | 9/2006 | Kellond | | D14/159 |
| D533,162 S * | 12/2006 | Lovegreen et al. | | D14/191 |
| D554,616 S * | 11/2007 | Pierce | | D14/191 |
| D572,230 S * | 7/2008 | Neu et al. | | D14/155 |
| 7,643,795 B2 | 1/2010 | Friedrichs et al. | | |
| D643,830 S | 8/2011 | Fish | | |
| 2005/0143152 A1 | 6/2005 | Yueh | | |
| 2005/0159190 A1 | 7/2005 | Dowling | | |

2005/0287961 A1 12/2005 Chiou
2006/0019649 A1 1/2006 Feinleib et al.
2011/0059769 A1 3/2011 Brunolli

* cited by examiner

Primary Examiner — Keli L Hill

(74) *Attorney, Agent, or Firm* — Richard L. Miller

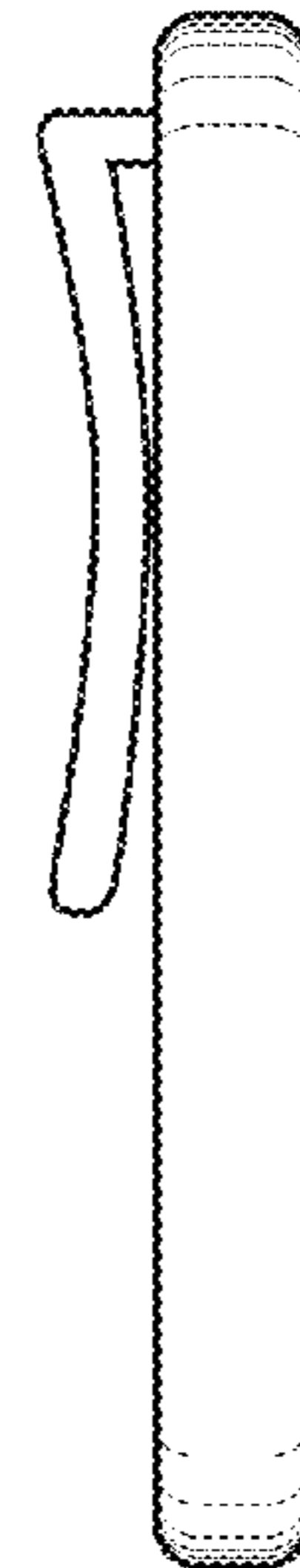
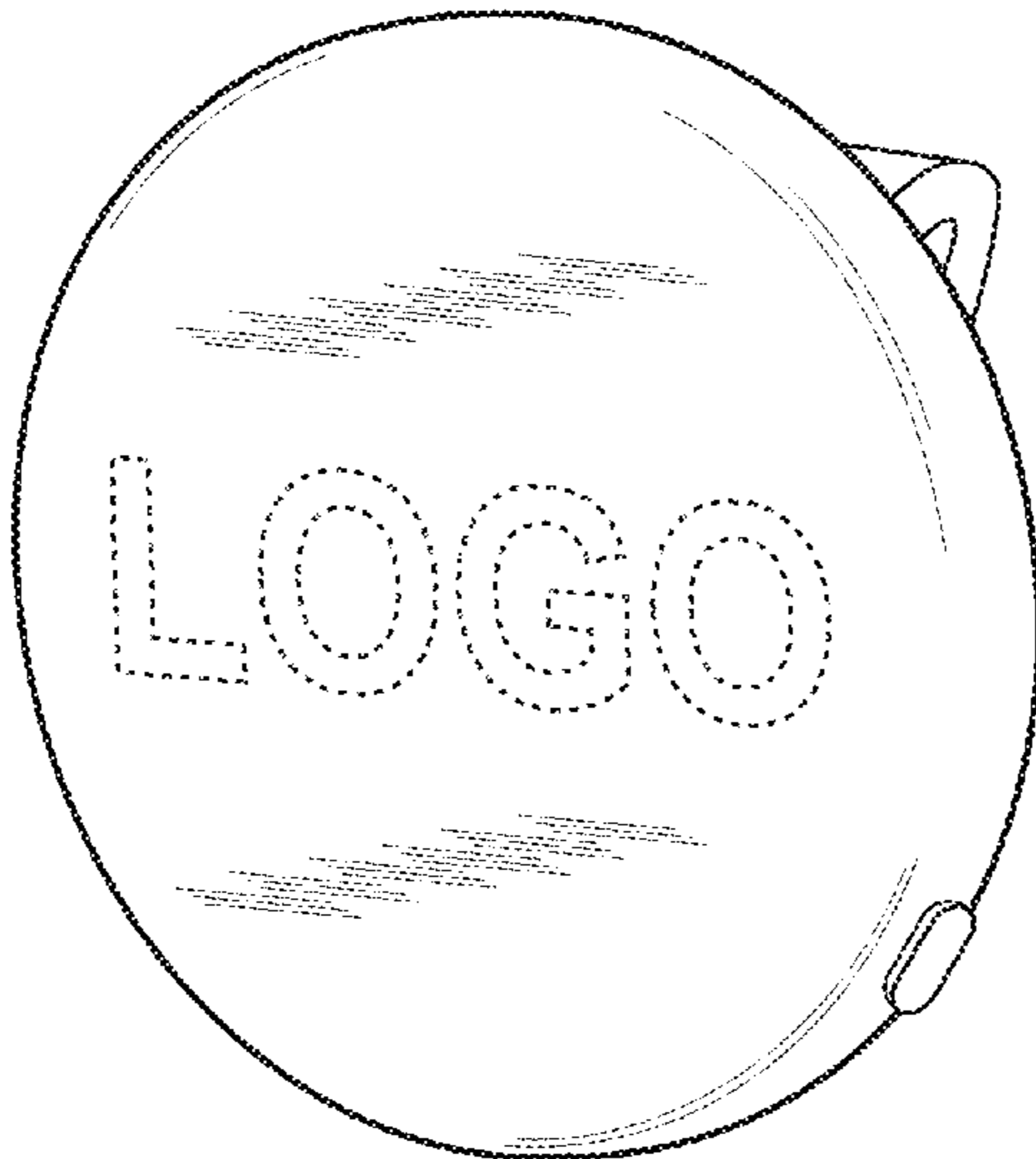
(57) **CLAIM**

The ornamental design for a vibrating pager for mobile phones, as shown and described.

DESCRIPTION

FIG. 1 is a perspective view of a vibrating pager for mobile phones showing my new design being worn by a person; FIG. 2 is a perspective view of a vibrating pager for mobile phones showing my new design; FIG. 3 is a front elevational view thereof, taken in the direction of arrow 3 in FIG. 9; FIG. 4 is a rear elevational view thereof, taken in the direction of arrow 4 in FIG. 9; FIG. 5 is a right side elevational view thereof, taken in the direction of arrow 5 in FIG. 9; FIG. 6 is a left side elevational view thereof, taken in the direction of arrow 6 in FIG. 9; FIG. 7 is a bottom plan view thereof, taken in the direction of arrow 7 in FIG. 9; FIG. 8 is a top plan view thereof, taken in the direction of arrow 8 in FIG. 9; and, FIG. 9 is a view identical to FIG. 2 with descriptive legend directional arrows included which are necessary for better understanding of the drawing in accordance with 37 CFR 1084(o) and appropriate with good engineering practices, so as to best indicate in what directions previous views are taken so that nothing regarding the design sought to be patented is ambiguous or left to conjecture. The broken lines shown are included for the purpose of illustrating portions of the vibrating pager for mobile phones that form no part of the claim.

1 Claim, 6 Drawing Sheets



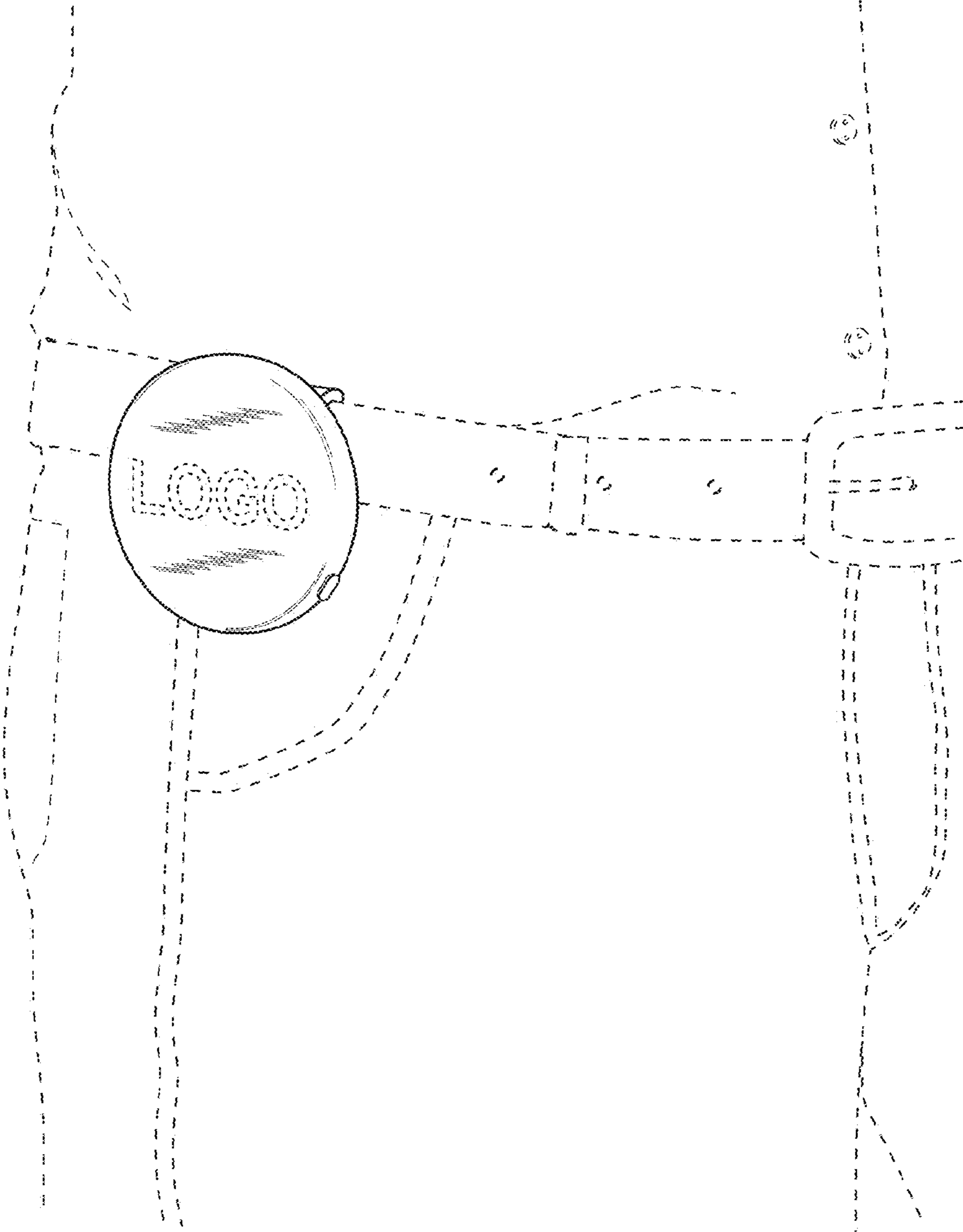


FIG. 1

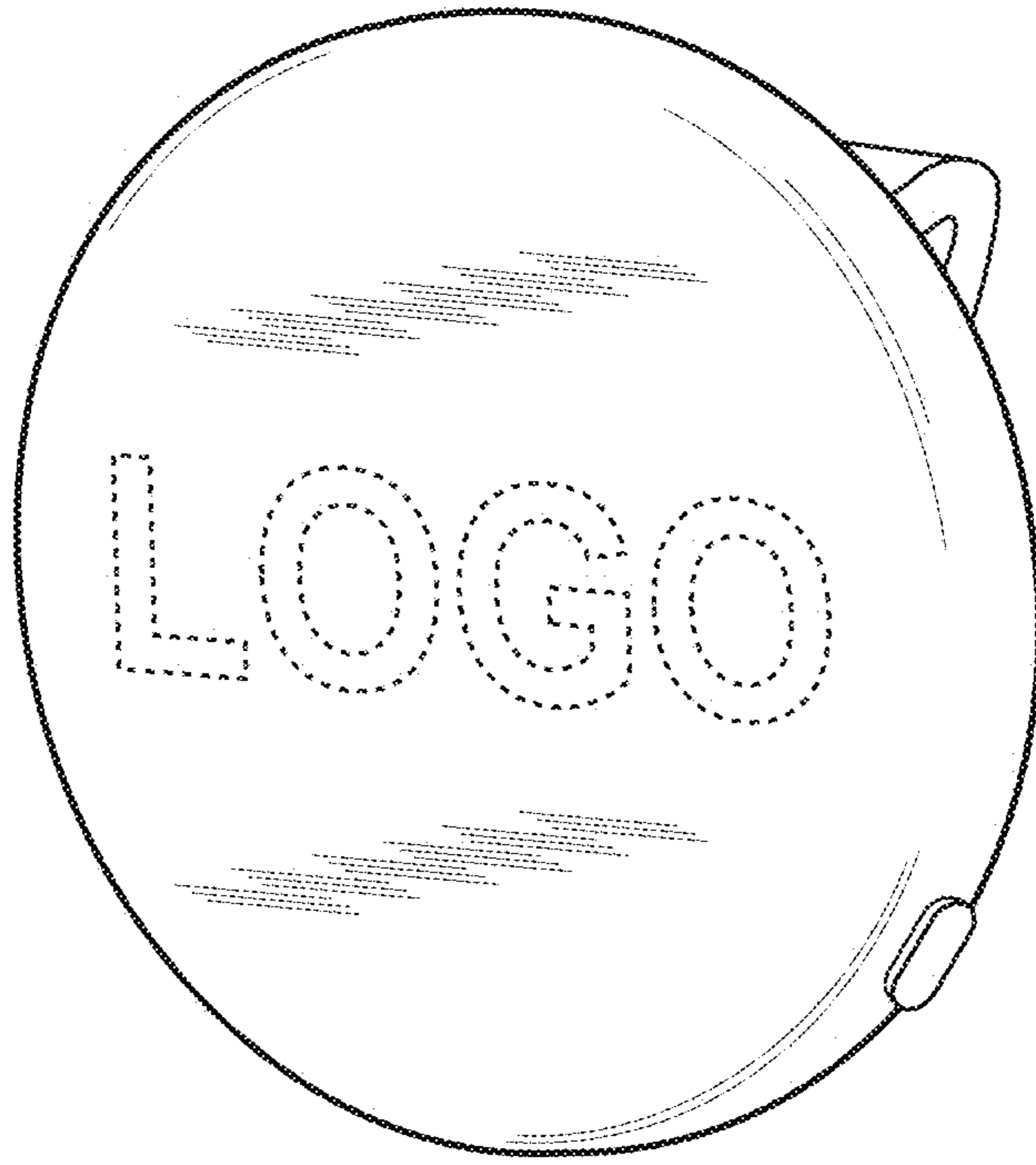


FIG. 2

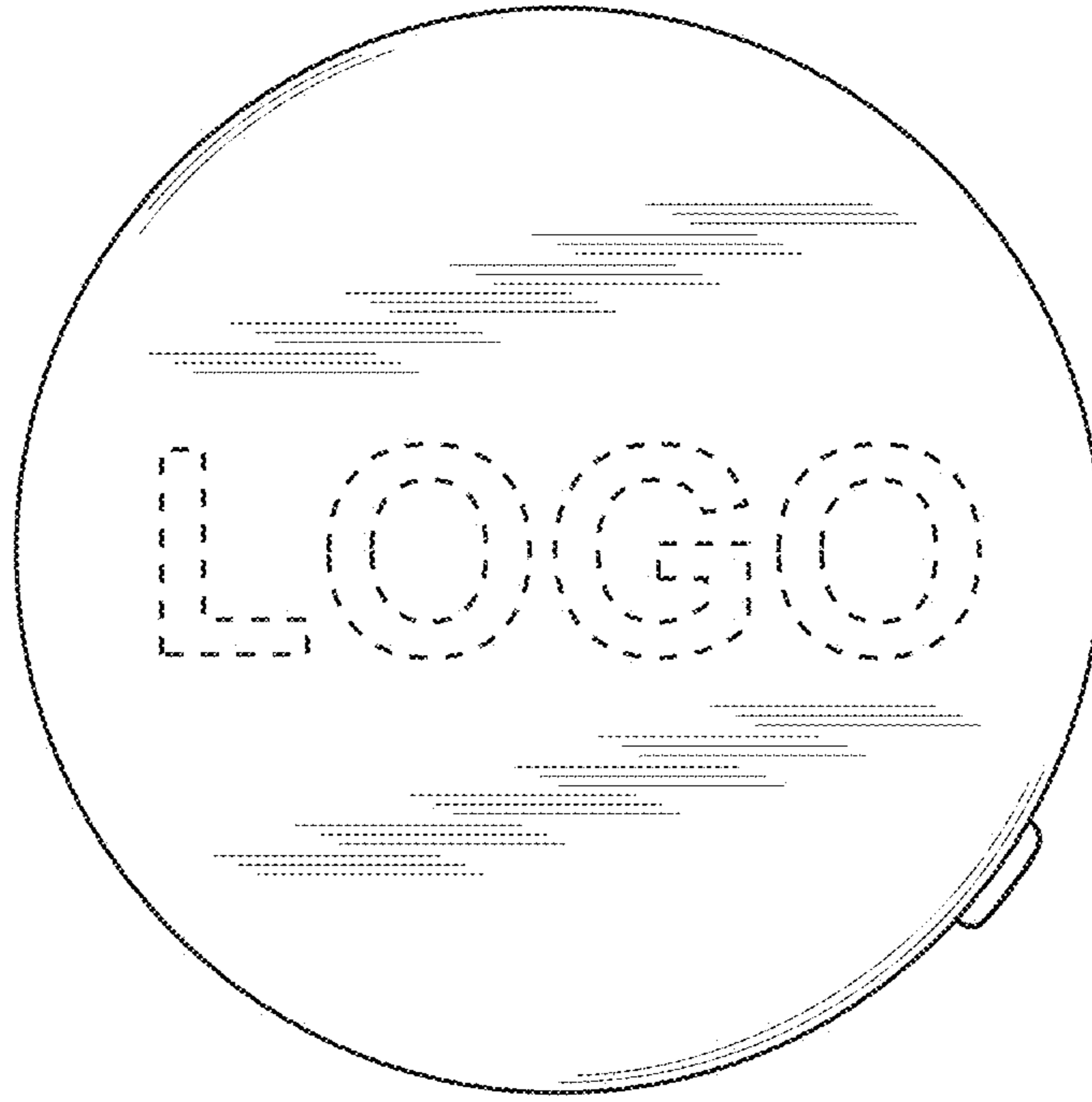


FIG. 3

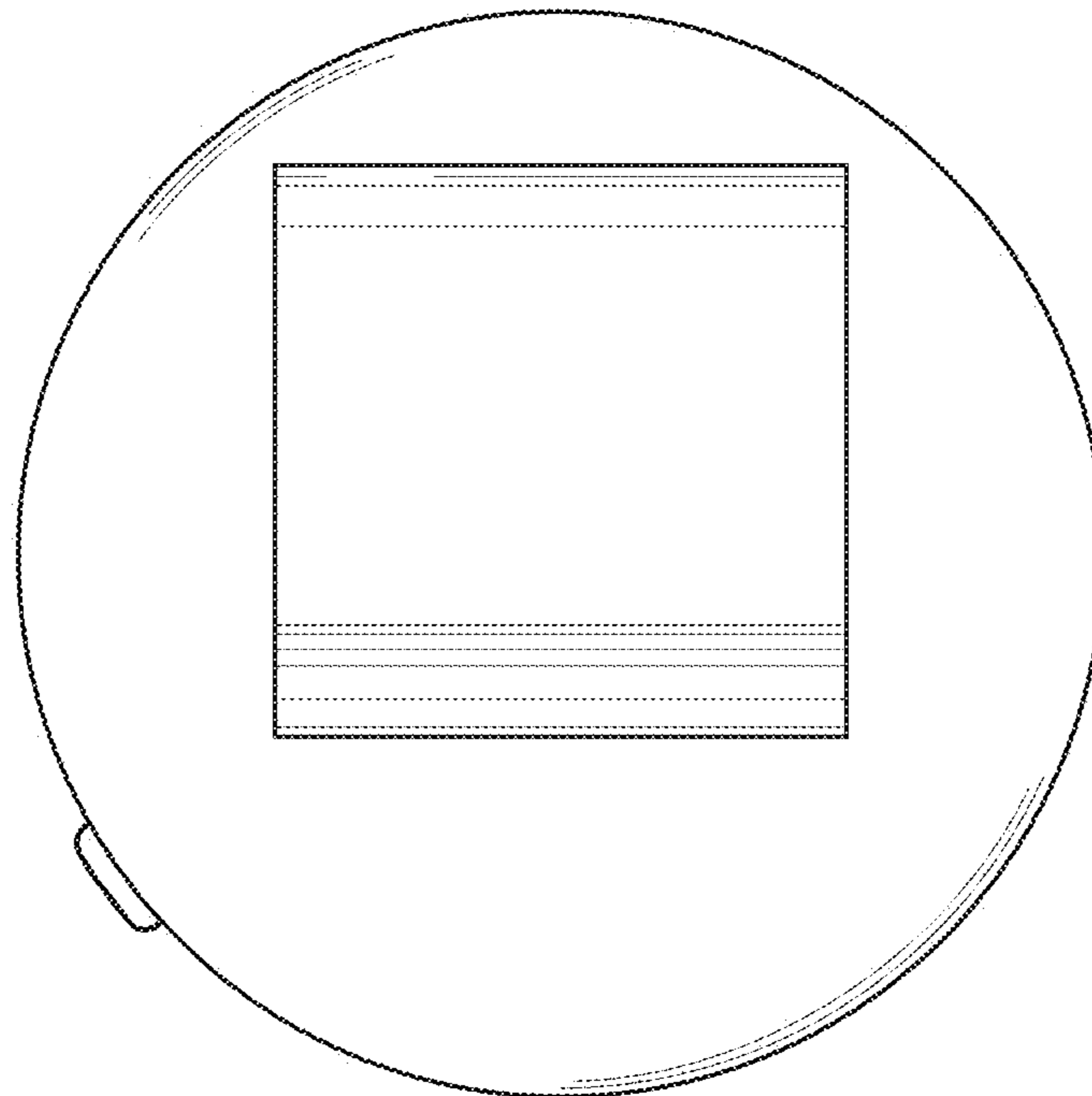


FIG. 4

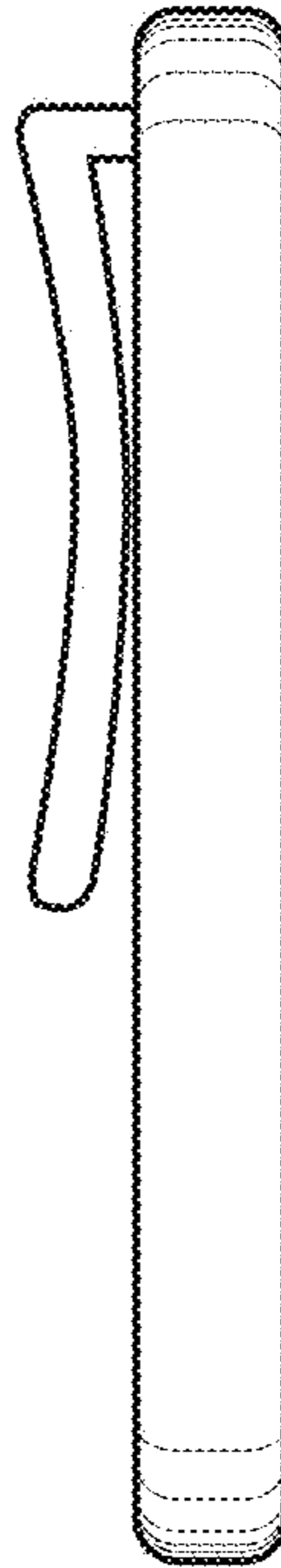


FIG. 5

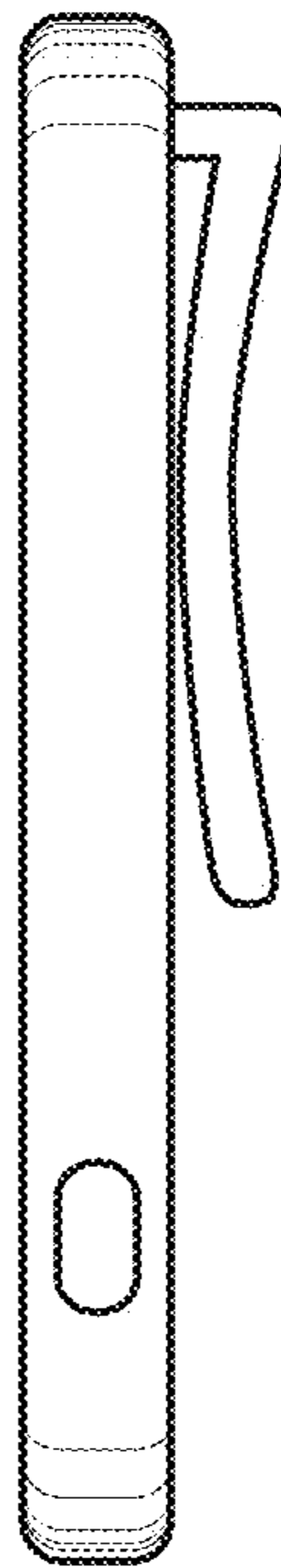


FIG. 6

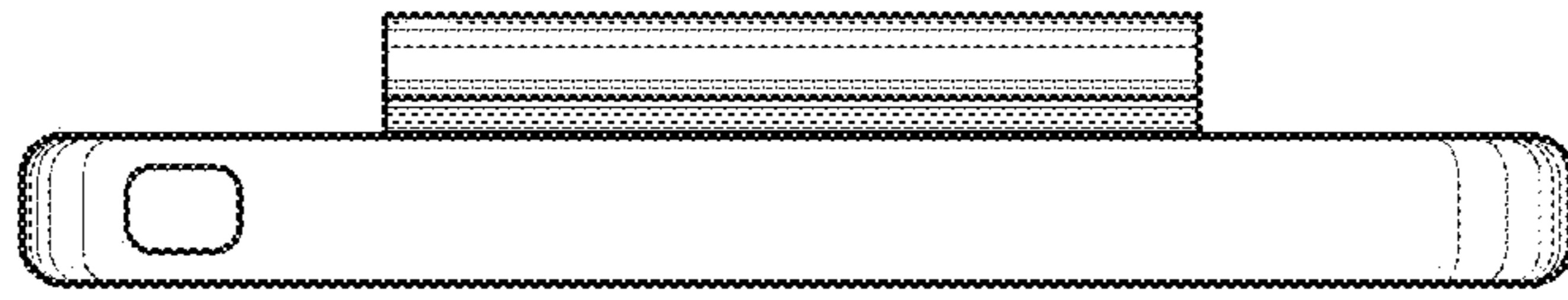


FIG. 7

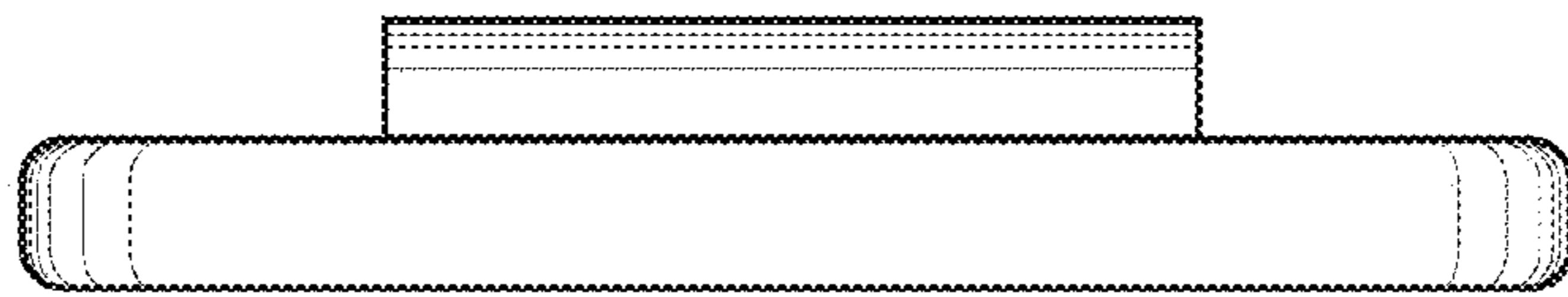


FIG. 8

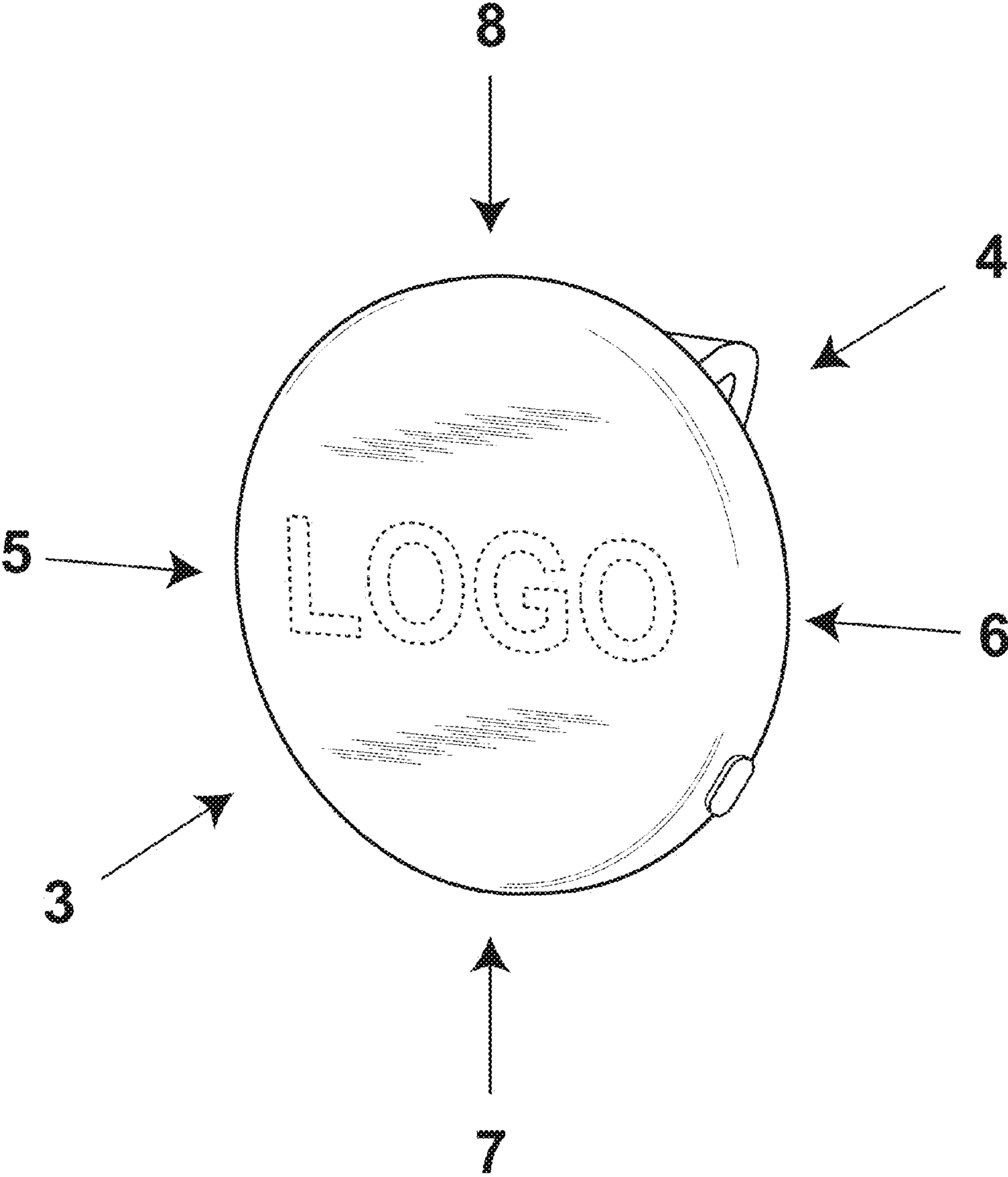


FIG. 9