



US00D706741S

(12) **United States Design Patent**
Myers

(10) **Patent No.:** **US D706,741 S**
(45) **Date of Patent:** **** Jun. 10, 2014**

- (54) **GAMING MACHINE CABINET**
- (71) Applicant: **Bally Gaming, Inc.**, Las Vegas, NV (US)
- (72) Inventor: **Gordon H. Myers**, Reno, NV (US)
- (73) Assignee: **Bally Gaming, Inc.**, Las Vegas, NV (US)
- (**) Term: **14 Years**
- (21) Appl. No.: **29/439,122**
- (22) Filed: **Dec. 6, 2012**
- (51) **LOC (10) Cl.** **14-01**
- (52) **U.S. Cl.**
USPC **D14/172; D21/325**
- (58) **Field of Classification Search**
USPC D14/172, 173, 203.1–203.7, 496, 188,
D14/265; D21/324, 325, 369; 273/148 B;
463/1, 28–35, 46, 47; 369/1, 6–12,
369/24.01, 30.06, 30.07, 30.08, 30.23;
710/1; 711/100, 111
See application file for complete search history.

6,201,532	B1 *	3/2001	Tode et al.	345/156
6,227,970	B1 *	5/2001	Shimizu et al.	463/20
6,334,612	B1 *	1/2002	Wurz et al.	273/143 R
6,461,239	B1 *	10/2002	Sagawa et al.	463/7
D505,961	S *	6/2005	Chu	D15/9
D587,319	S *	2/2009	Moises Deiab	D21/325
D605,231	S *	12/2009	Hashimoto et al.	D21/325
D612,432	S *	3/2010	De Viveiros Ortiz	D21/325
D622,323	S *	8/2010	De Viveiros Ortiz	D21/325
D689,461	S *	9/2013	Garneau et al.	D14/172

* cited by examiner

Primary Examiner — Prabhakar Deshmukh
(74) *Attorney, Agent, or Firm* — Marvin Hein

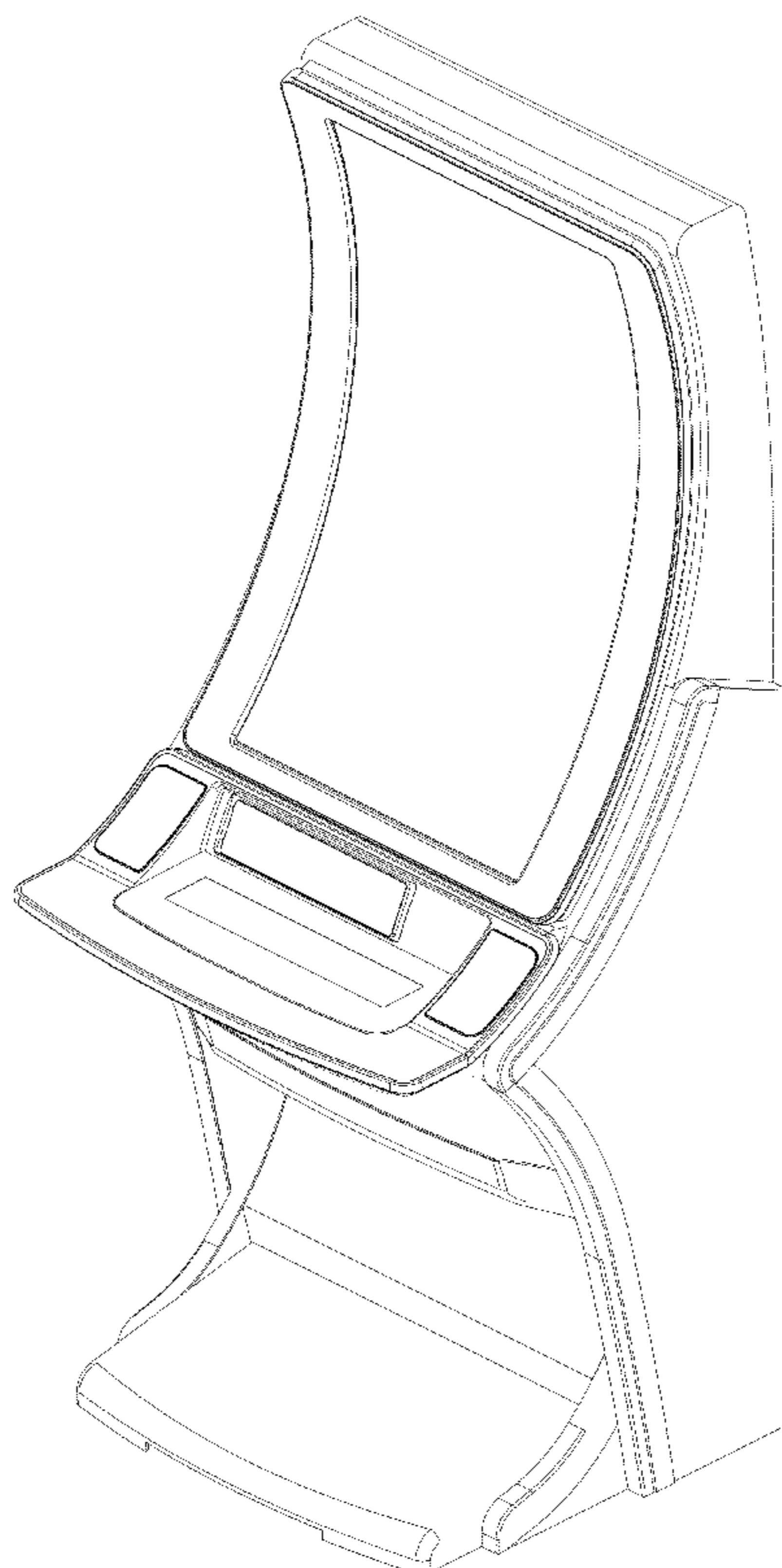
(57) **CLAIM**
The ornamental design for a gaming machine cabinet, as shown and described.

DESCRIPTION

FIG. 1 is a perspective view of a gaming machine cabinet, showing my new design;
FIG. 2 is a top view thereof;
FIG. 3 is a front elevational view thereof;
FIG. 4 is a right side elevational view thereof; and,
FIG. 5 is a rear elevational view thereof.
Broken lines on FIGS. 1, 3 and 4 indicate disclaimed portions and form no part of the claimed design.

1 Claim, 5 Drawing Sheets

- (56) **References Cited**
U.S. PATENT DOCUMENTS
4,850,591 A * 7/1989 Takezawa et al. 463/37
5,813,914 A * 9/1998 McKay et al. 463/46



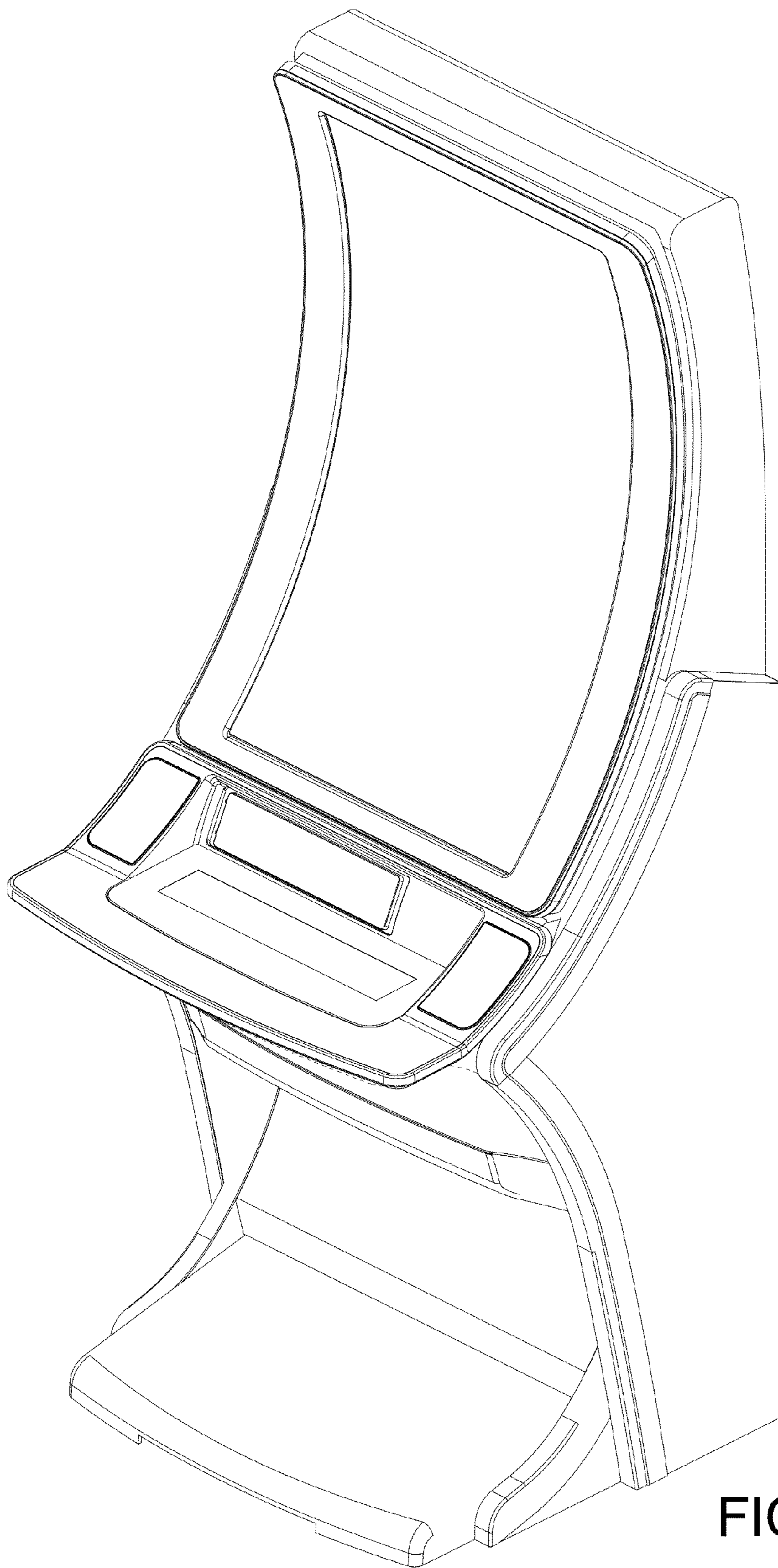


FIG. 1

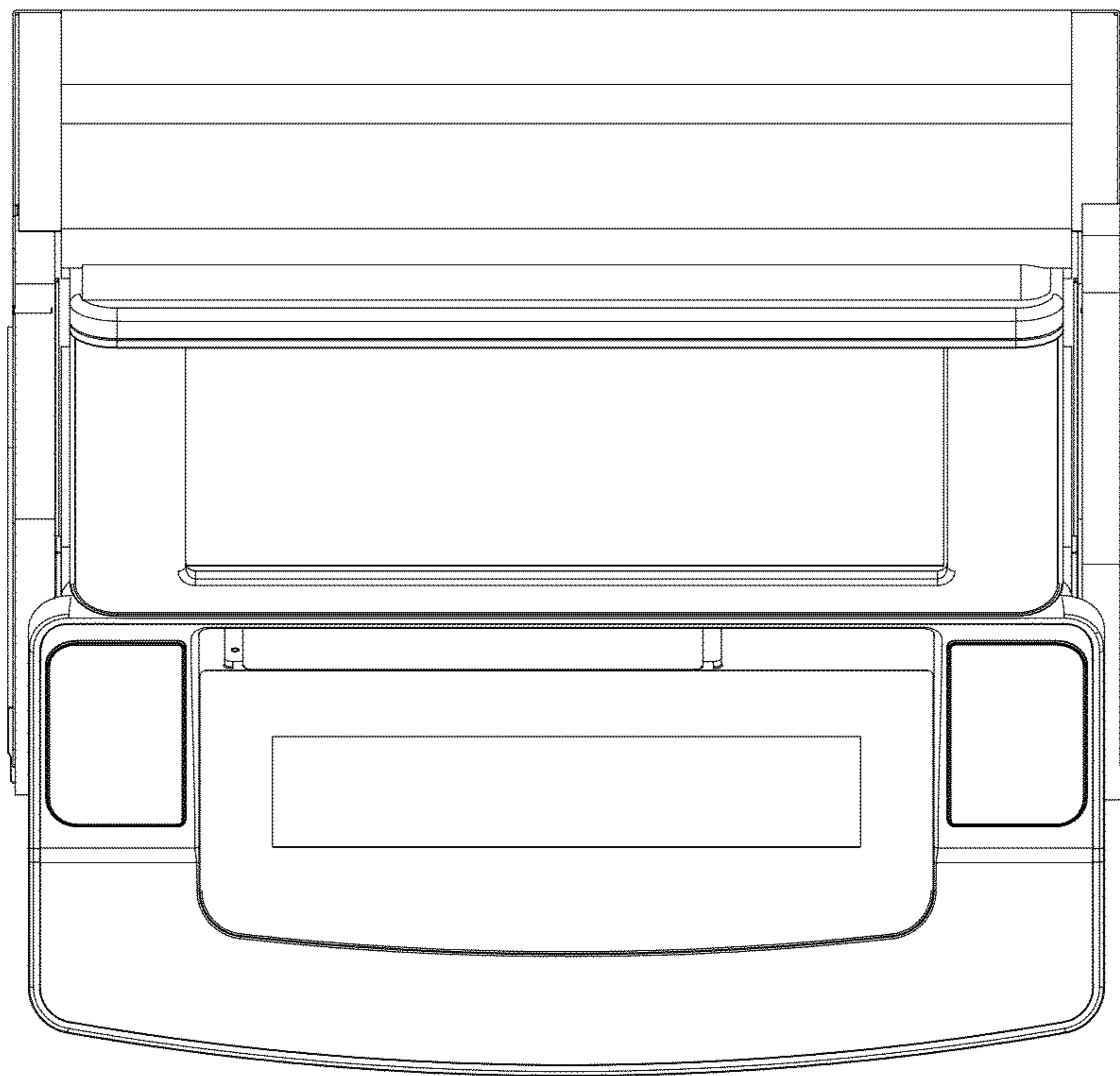


FIG. 2

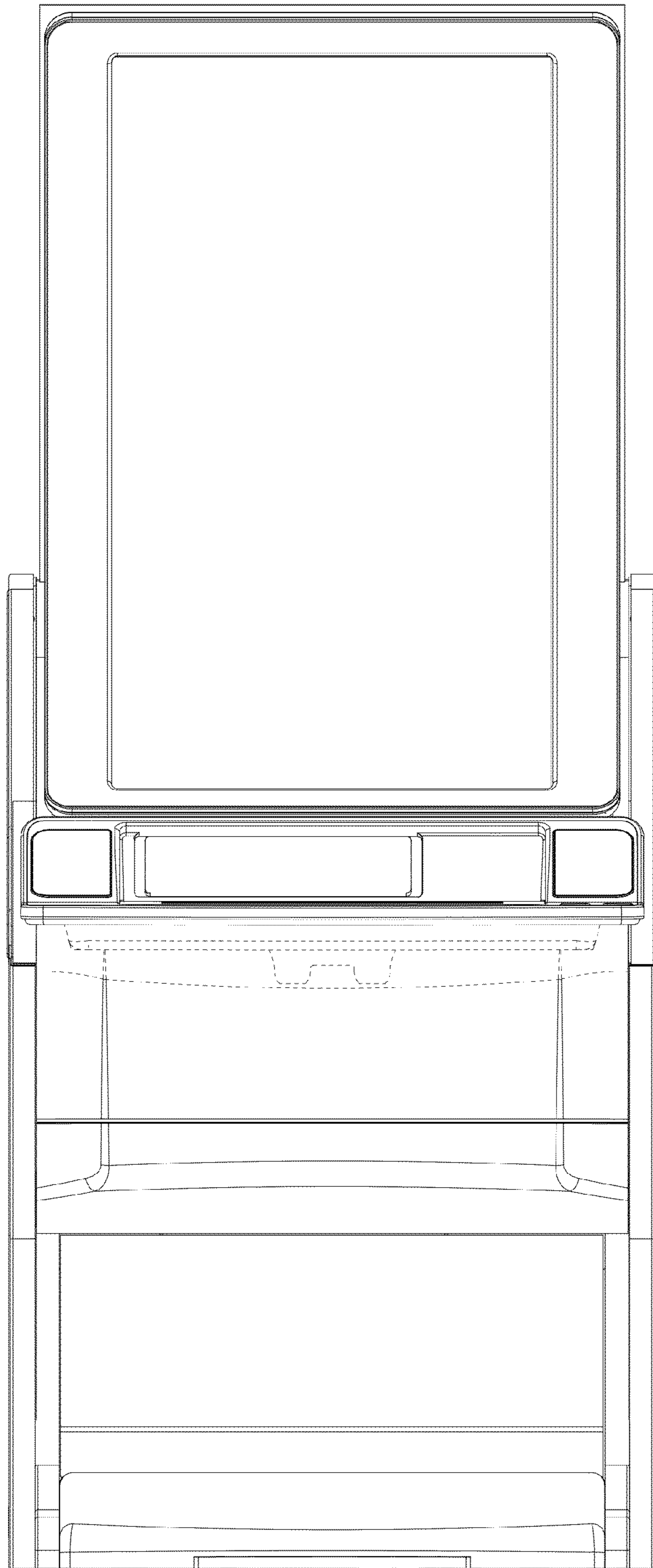


FIG. 3

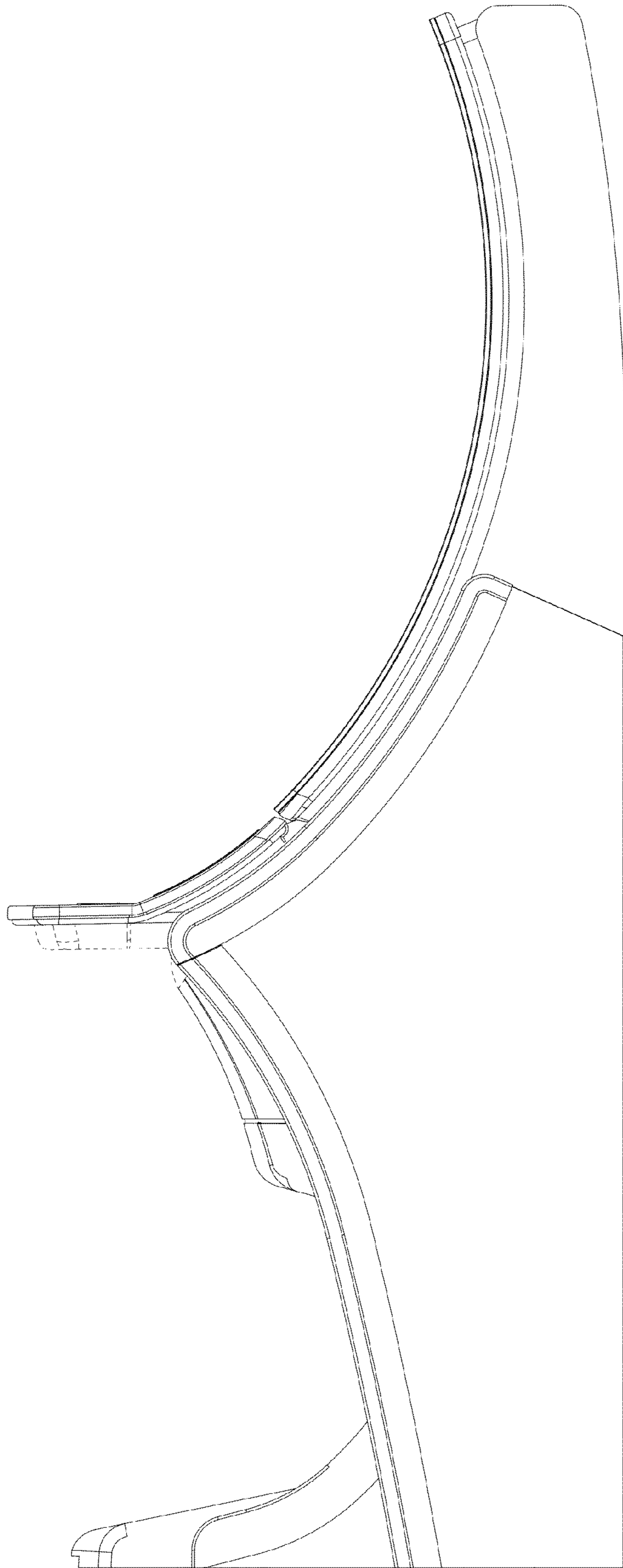


FIG. 4

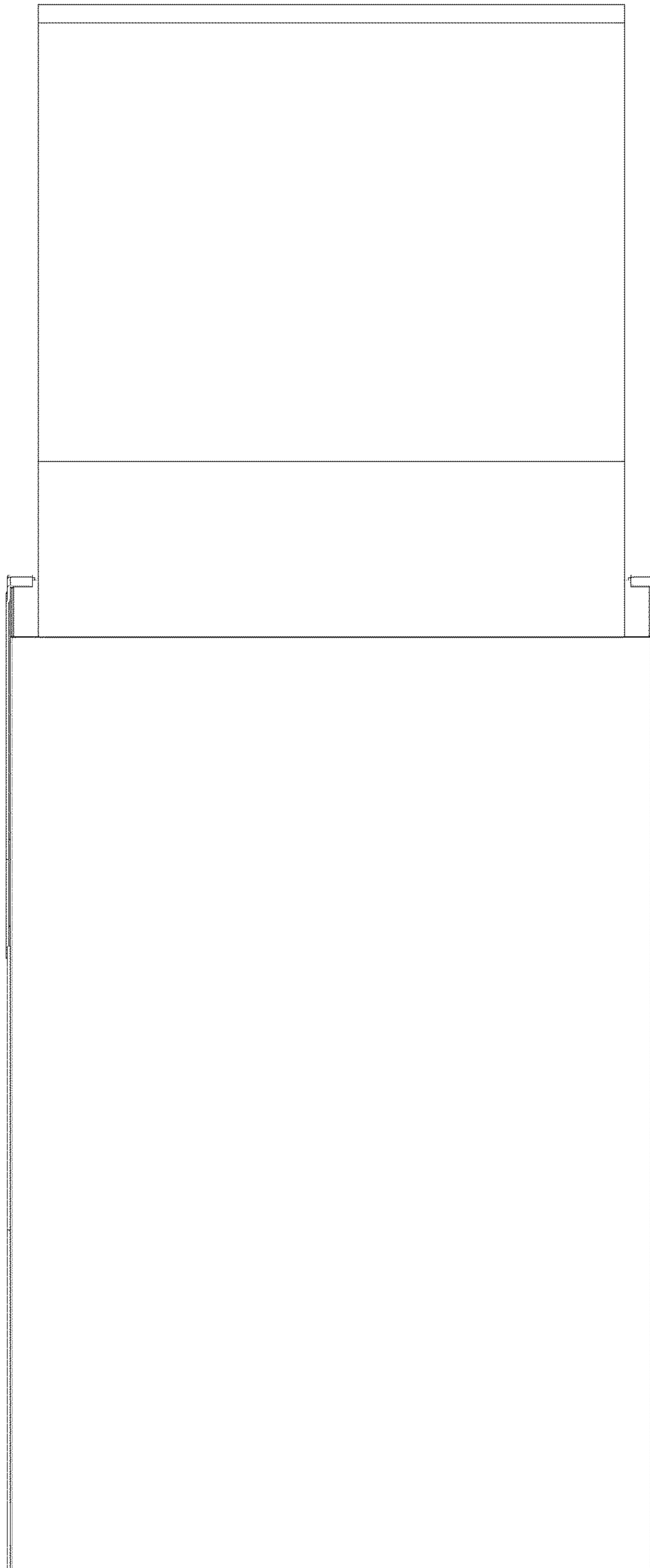


FIG. 5