



US00D706740S

(12) **United States Design Patent**  
**Cummings**

(10) **Patent No.:** **US D706,740 S**  
(45) **Date of Patent:** **\*\* Jun. 10, 2014**

(54) **CLOCK RADIO**

(76) Inventor: **Eugene M. Cummings**, Lake Forest, IL  
(US)

(\*\*) Term: **14 Years**

(21) Appl. No.: **29/431,783**

(22) Filed: **Sep. 11, 2012**

(51) **LOC (10) Cl.** ..... **14-01**

(52) **U.S. Cl.**  
USPC ..... **D14/171**

(58) **Field of Classification Search**

CPC ..... G04G 17/00; G04G 17/08; G04G 21/04;  
H04B 1/06; H04B 1/08; H04B 1/086; H04M  
1/04; H04M 1/21; H04R 2203/00; H04R  
2400/00; H04W 4/02; H04W 4/06  
USPC ..... D14/137, 155, 168, 170, 171, 188,  
D14/193-198, 203.1-203.8, 204, 208,  
D14/209.1, 210-217, 221, 224.1, 251, 496;  
D10/2, 15; 312/7.1; 369/6-12;  
370/342-344; 455/90.1-90.3,  
455/344-351; 361/814; 368/10, 316, 317;  
D13/107, 108

See application file for complete search history.

(56) **References Cited**

U.S. PATENT DOCUMENTS

D561,165 S \* 2/2008 Hocherman et al. .... D14/171  
D603,368 S \* 11/2009 Jang ..... D14/194  
D633,474 S \* 3/2011 Ohashi ..... D14/209.1  
D639,275 S \* 6/2011 Silvera ..... D14/209.1  
D645,840 S \* 9/2011 Silvera ..... D14/171  
D657,342 S \* 4/2012 Cao et al. .... D14/171

\* cited by examiner

*Primary Examiner* — Keli L Hill

(74) *Attorney, Agent, or Firm* — Eugene M. Cummings, P.C.

(57) **CLAIM**

The ornamental design for a clock radio, as shown and described.

**DESCRIPTION**

FIG. 1 is a front perspective view of the clock radio.

FIG. 2 is a front view of the clock radio.

FIG. 3 is a rear view of the clock radio.

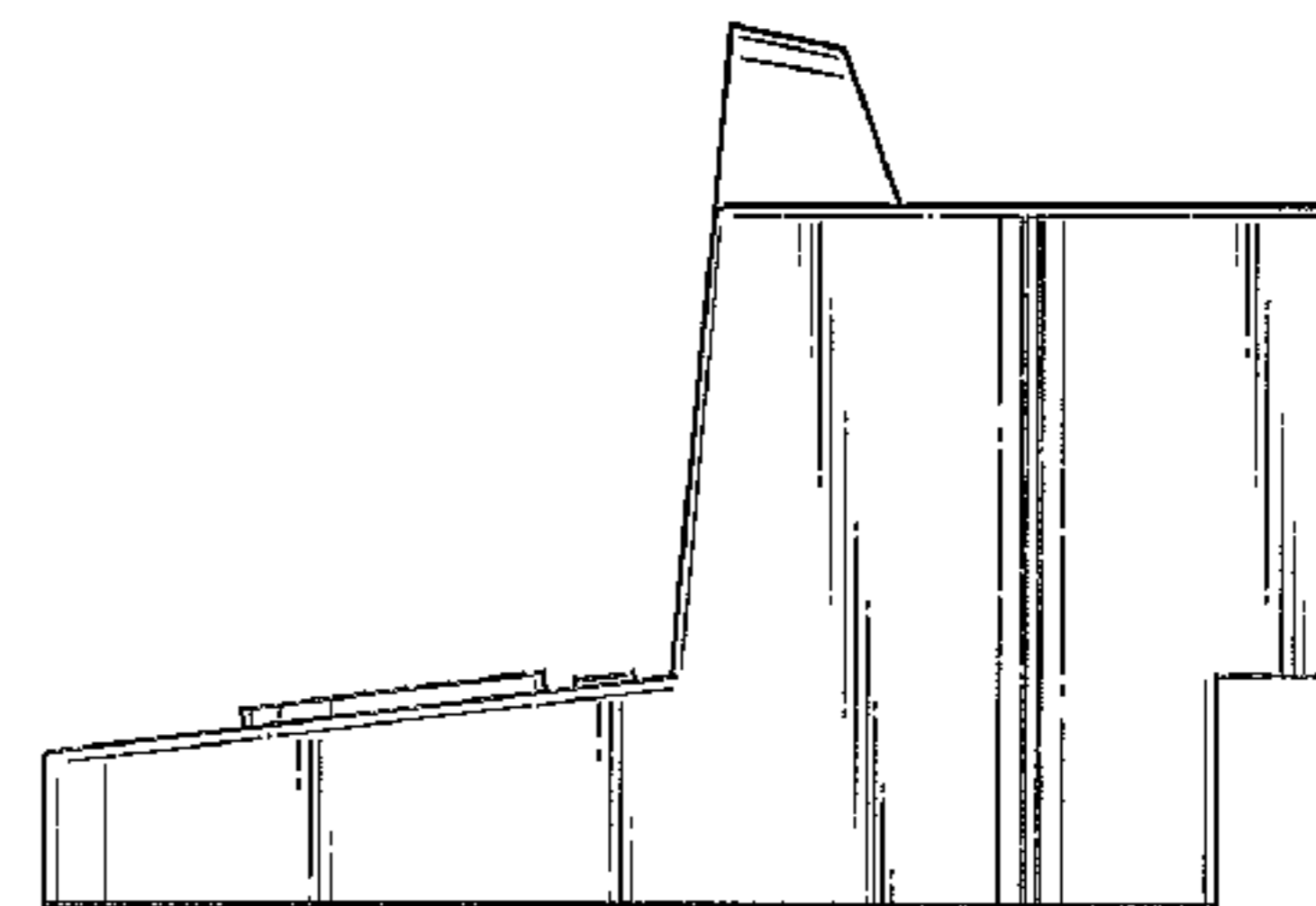
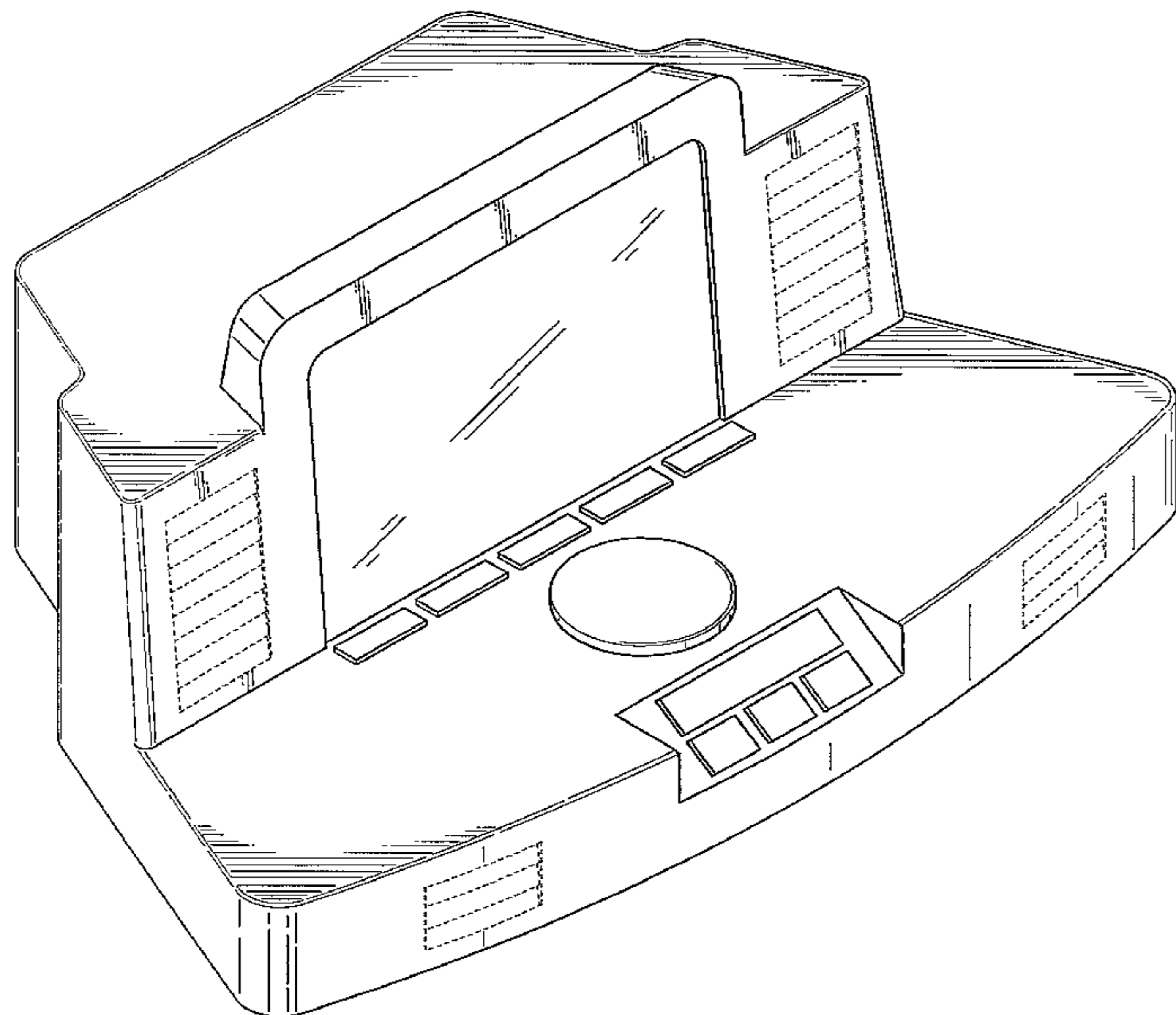
FIG. 4 is a left side view of the clock radio.

FIG. 5 is a right side view of the clock radio.

FIG. 6 is a top plan view of the clock radio; and,

FIG. 7 is a bottom plan view of the clock radio.

**1 Claim, 4 Drawing Sheets**



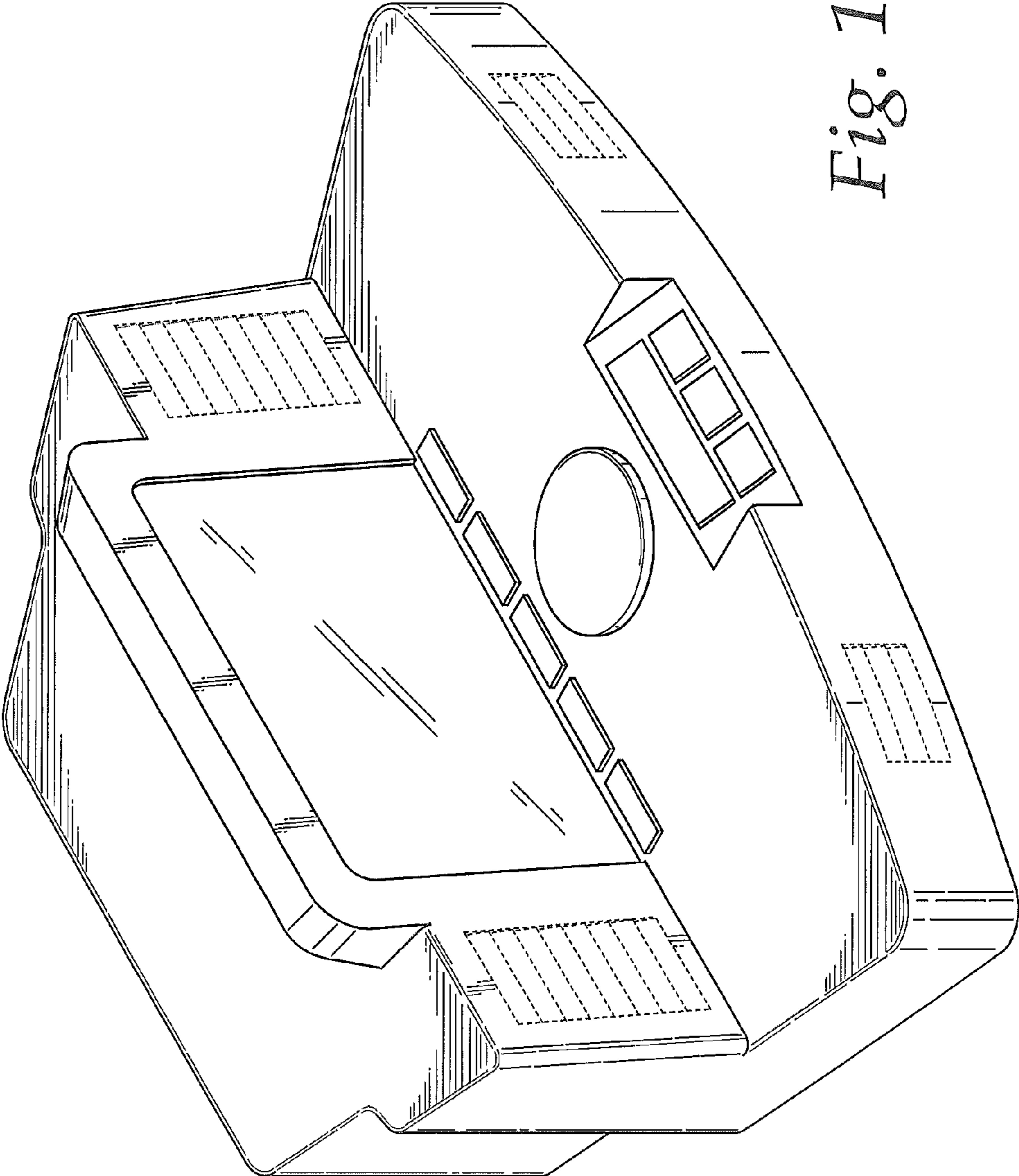
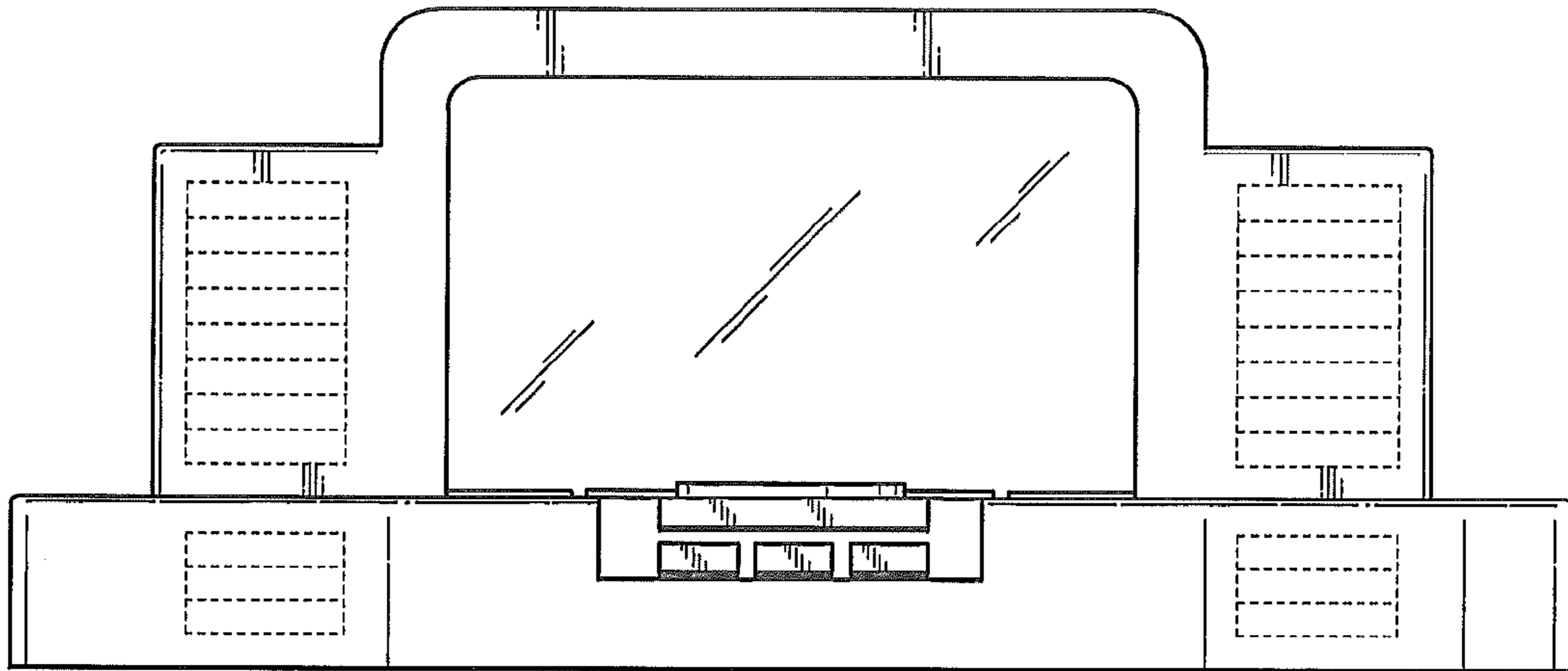
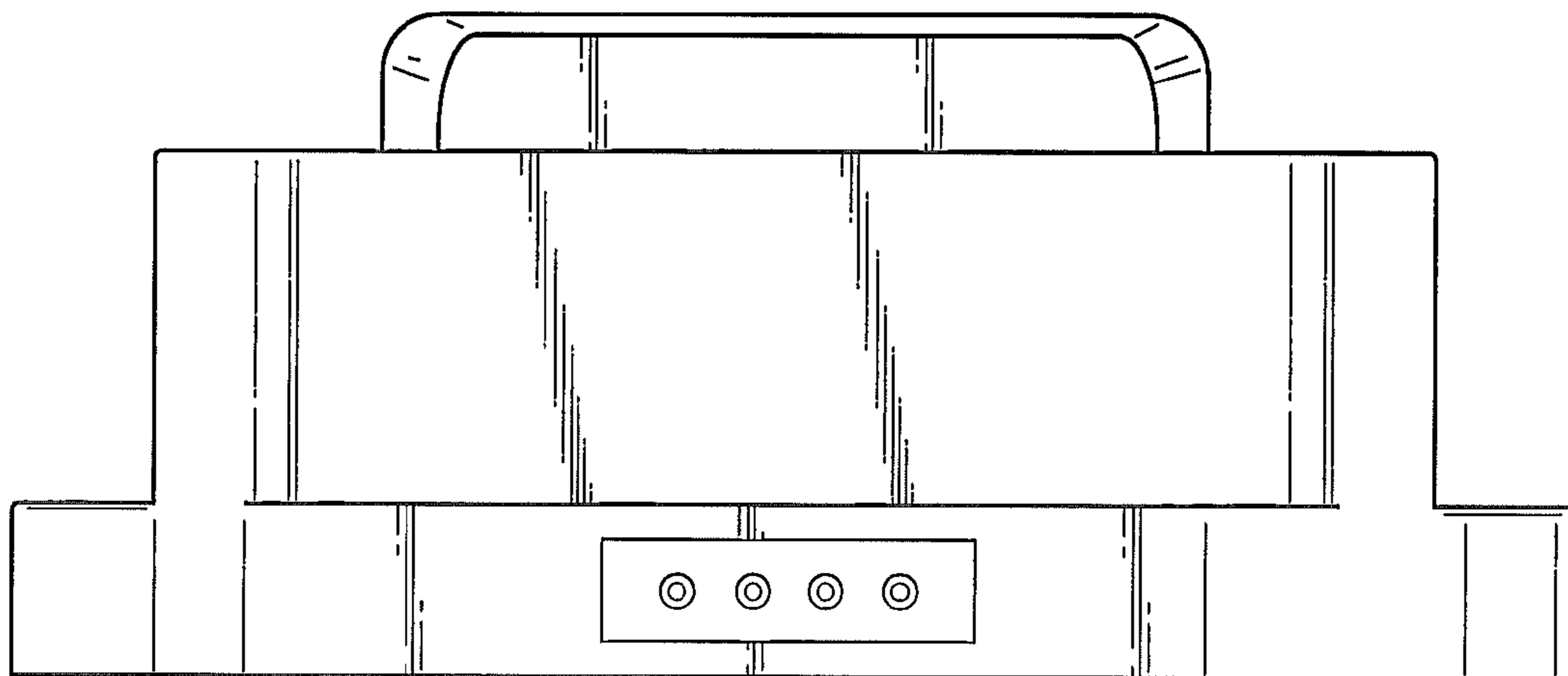


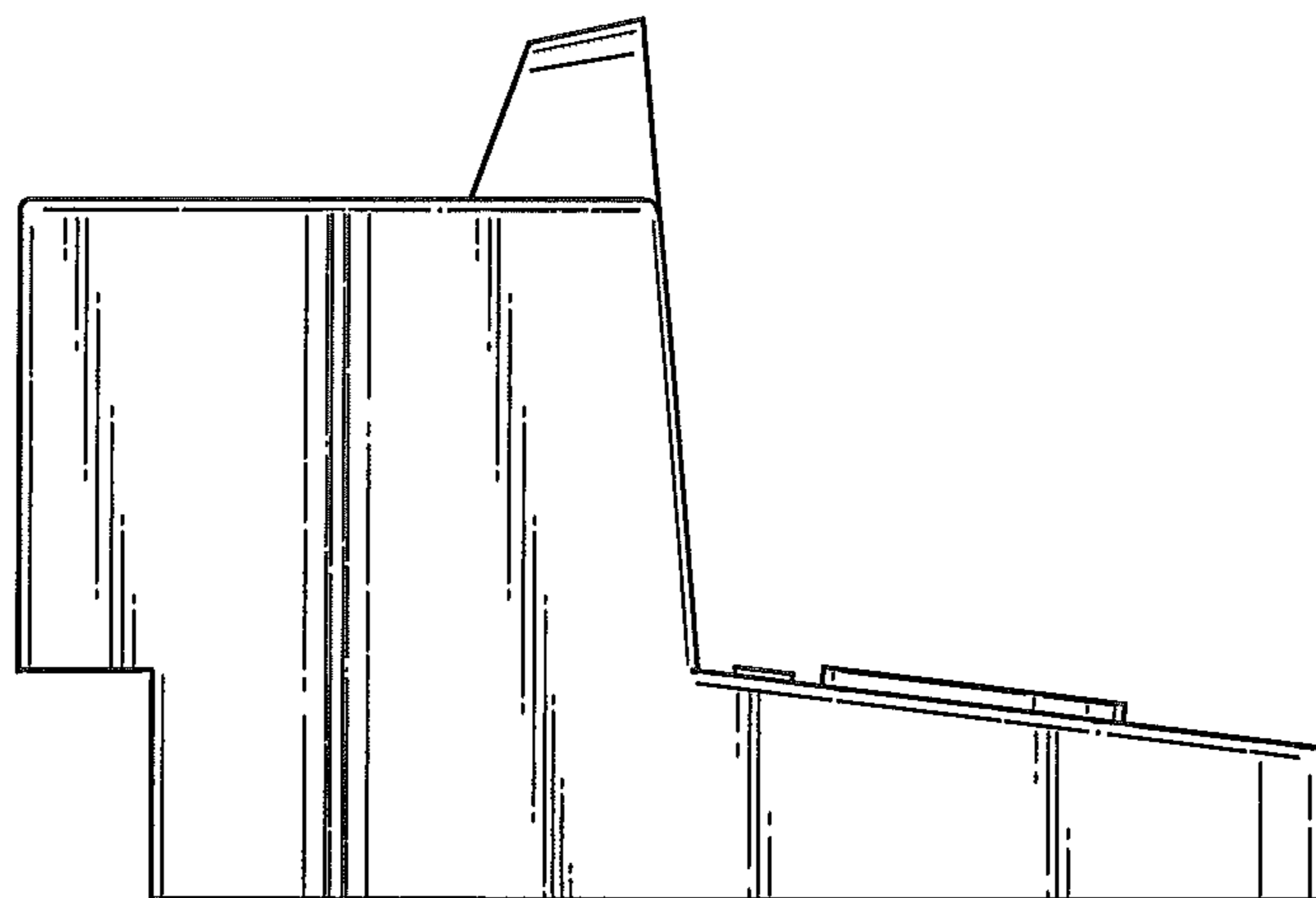
Fig. 1



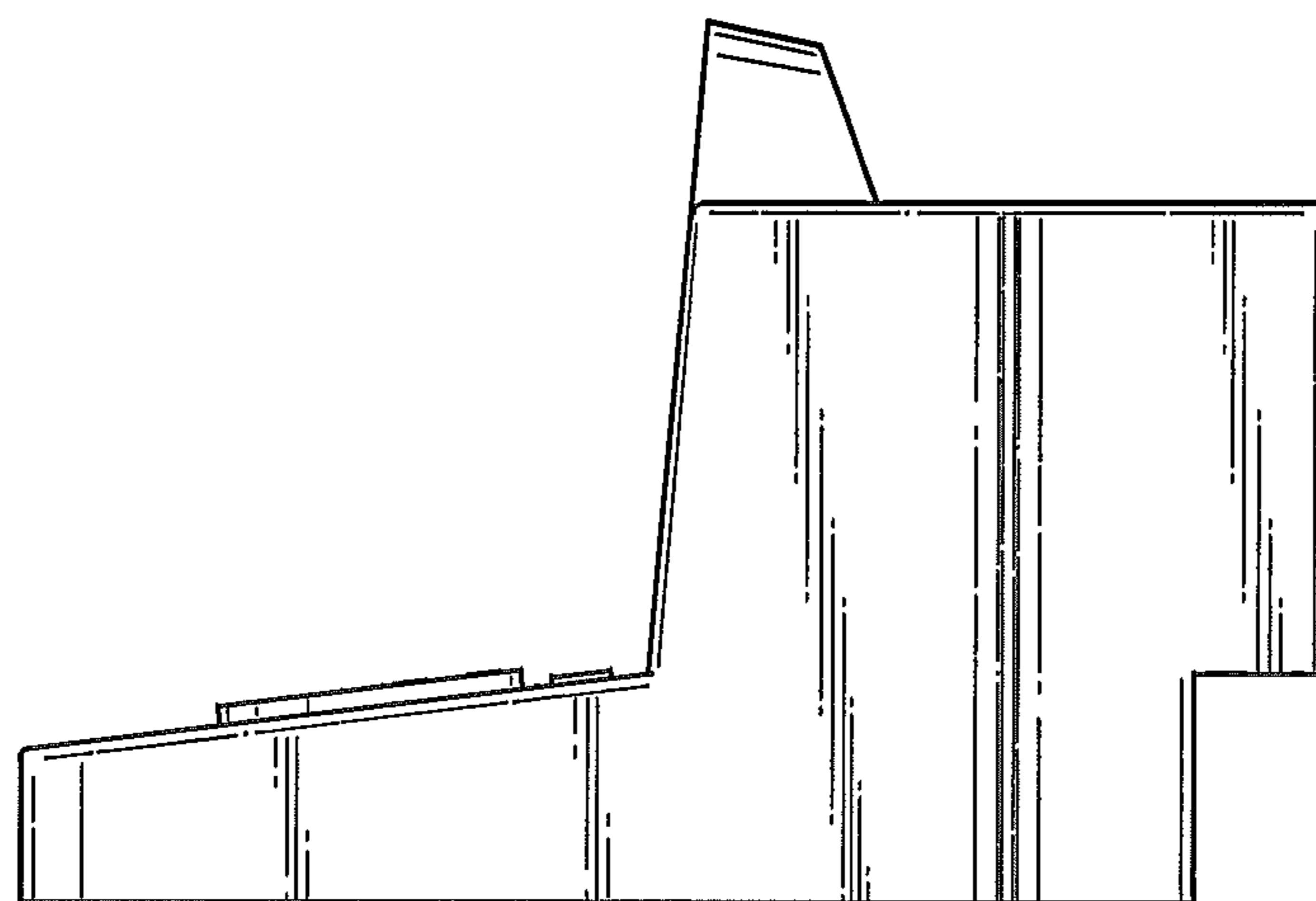
*Fig. 2*



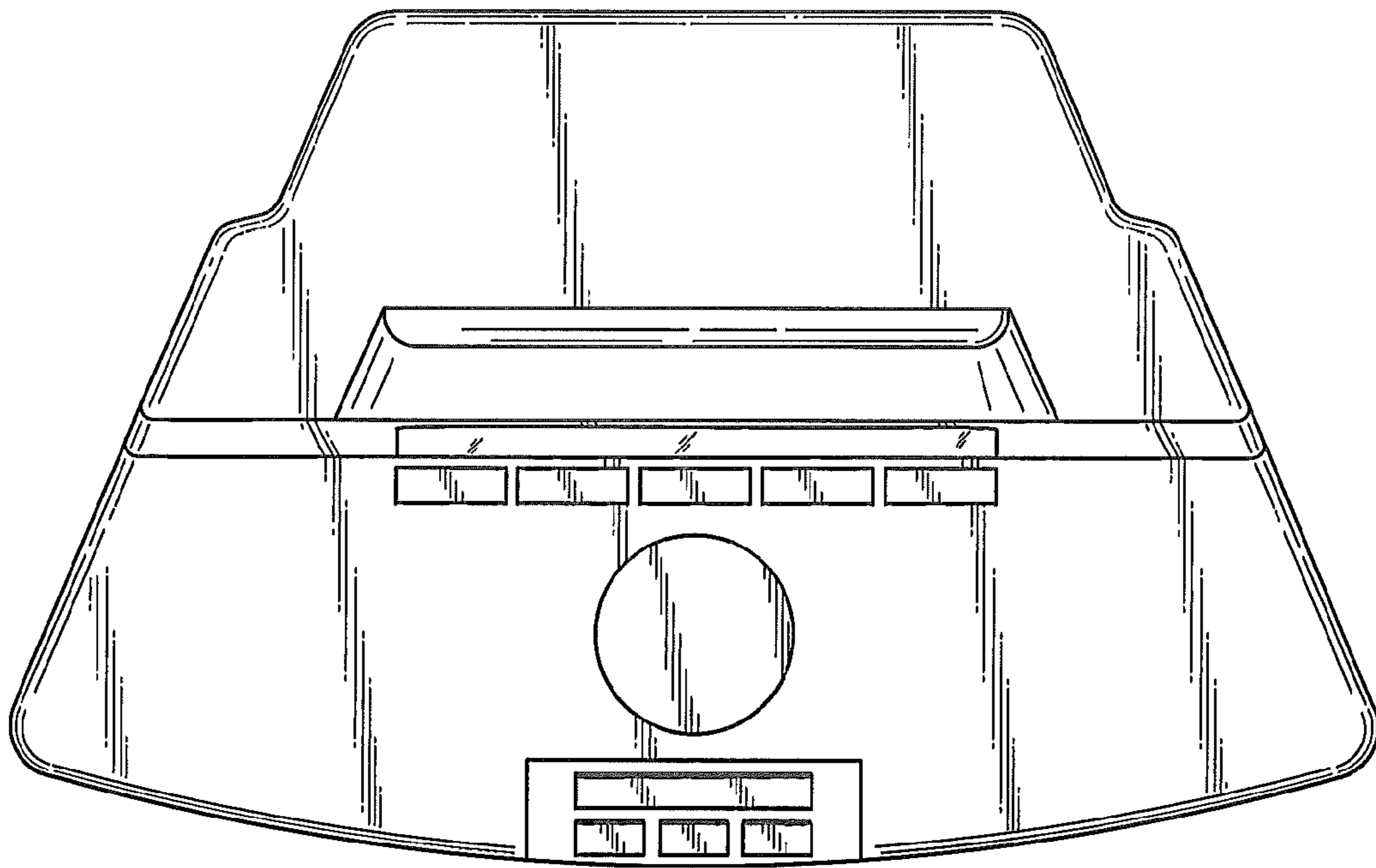
*Fig. 3*



*Fig. 4*



*Fig. 5*



*Fig. 6*

*Fig. 7*

